

## Specification

---

### General

The Powerex vacuum system is designed provide vacuum for applications such as laboratories, molding, packaging, printing and other similar facilities.

### Vacuum System

The package shall include one or two vacuum pumps and associated equipment, one ASME tank and one control panel. Each pump is factory piped to a common intake manifold. The system shall be completely tested prior to shipment.

### Rotary Vane Vacuum Pump

The vacuum pumps shall be of the rotary vane aircooled design. Each vacuum pump shall be directdriven through a shaft coupling by a TEFC electric motor. Belt drives shall not be permitted. Each vacuum pump shall be air-cooled and have absolutely no water requirements. Each vacuum pump shall have an end (ultimate) vacuum of 29.3" Hg (15 torr). Lubrication shall be provided by an integral, fully recirculating oil supply that is filtered by an automotivetype, spin-on oil filter. Non-re-circulating (oncethrough) or partial re-circulating oil supply systems shall not be permitted. Each vacuum pump shall be capable of operation with standard SAE 30 weight oil. The oil separation systems shall be integral and shall consist of no less than three stages of internally installed oil and smoke eliminators through which the exhaust gas stream must pass. This system shall consist of bulk separation, oil mist elimination, and smoke elimination, and shall be capable of removing 99.9+ percent of all oil and smoke particles from the exhaust gas stream. Each vacuum pump shall include a built-in, anti-suck-back valve, mounted at the pump inlet, and three sliding vanes. Each vacuum pump shall be equipped with a 10 micron inlet filter for removal of particulates. The vacuum pumps shall be mounted on vibration isolators. The system shall also include a supplementary check valve between the inlet filter and the pump.

### Motor

The motor is EISA compliant, continuous duty, NEMA rated, C-face, TEFC, suitable for 208-230, or 460V, 3 phase, 60 hertz electrical operation.

### Receiver

The system shall include an ASME rated receiver rated for full vacuum. The tank shall be equipped with a vacuum gauge and a manual drain.

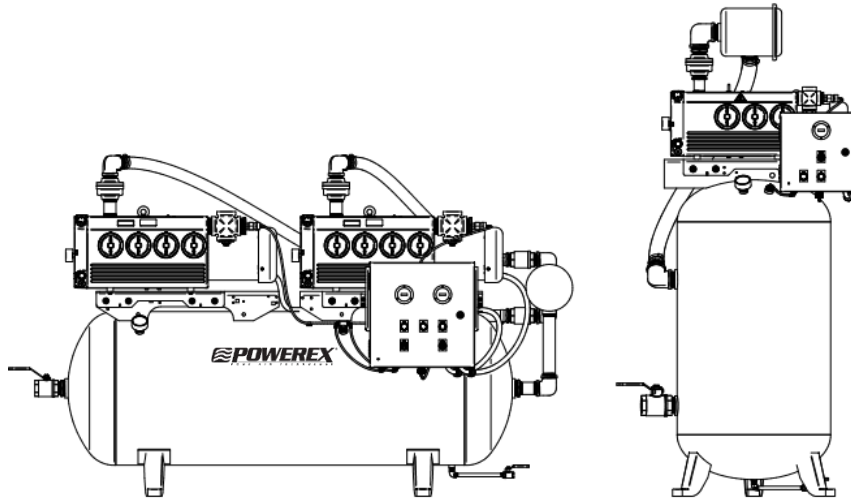
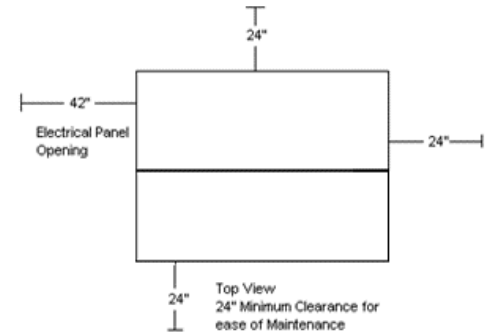
### Control Panel

The system shall include a UL listed control panel in a NEMA 1 enclosure in simplex or duplex configurations utilizing a 120V control transformer with fused primary and secondary protection. The control panel also includes the following accessories for each pump: Run time indicator, magnetic starter with 3-leg overload protection and Hand/Off/Auto selector switch. Standard features shall also include minimum run timers via a PLC or time delay relay for each pump and timed lead/lag pump alternation to maintain even run hours on each pump. The lag vacuum pump shall be able to start automatically if the lead vacuum pump fails to operate.

### Available Options

- Internal tank lining for corrosion resistance
- Tank Sight Gauge
- Exhaust flex hose

Dimensions					
Model	Dim. A	Dim. B	Dim. C	Inlet	Outlet
IVD0153	76	29	45	1-1/2	1/2
IVD0203	76	32	48	1-1/2	1-1/4
IVD0303	76	32	48	1-1/2	1-1/4
IVD0304	84	33	52	1-1/2	1-1/4
IVD0404	84	36	54	1-1/2	2
IVD0504	84	36	54	1-1/2	2
IVD0505	88	37	59	1-1/2	2
IVD0755	91	39	64	2	2
IVD1005	91	39	64	2	2
IVD1006	100	54	67	2	2



Tankmount Vacuum Systems										
Model	Total System HP	Pump HP	SCFM @ 19" Hg*	Tank Size (gal)	BTU/Hr	dB(A) Level*	System F.L.A.			Estimated System Weight (lbs)
							208V	230V	460V	
IVD0153	3	1.5 (2)	12.6	80 H	6500	62	12.6	12	7	500
IVD0203	4	2 (2)	24.8	80 H	8700	70	9.8	14.4	8.2	700
IVD0303	6	3 (2)	37.2	80 H	13000	71	20.2	18.8	10.4	700
IVD0304	6	3 (2)	37.2	120 H	13000	71	20.2	18.8	10.4	800
IVD0404	10	5 (2)	55	120 H	17500	72	34.4	30.4	16.2	1000
IVD0504	10	5 (2)	74.6	120 H	21600	74	34.4	30.4	16.2	1000
IVD0505	10	5 (2)	74.6	200 H	21600	74	34.4	30.4	16.2	1200
IVD0755	15	7.5 (2)	98	200 H	32400	76	50	44.4	23.2	1700
IVD1005	20	10 (2)	140	200 H	43300	77	64.4	57.6	29.8	1700
IVD1006	20	10 (2)	140	240 H	43300	77	64.4	57.6	29.8	2100

**Notes:**

Control panel will include a magnetic starter with overload protection, an hour meter, an on/off switch, and a minimum run timer for the pump.

\*SCFM and dB(A) shown at total system capacity.