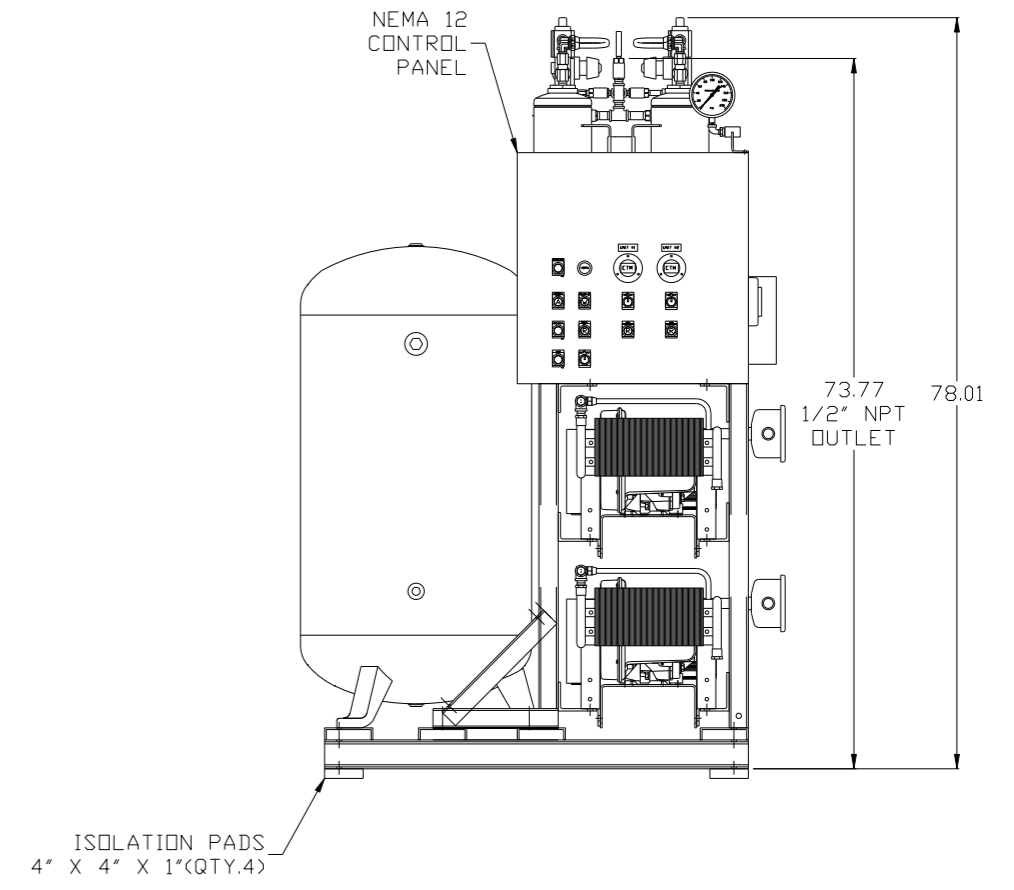
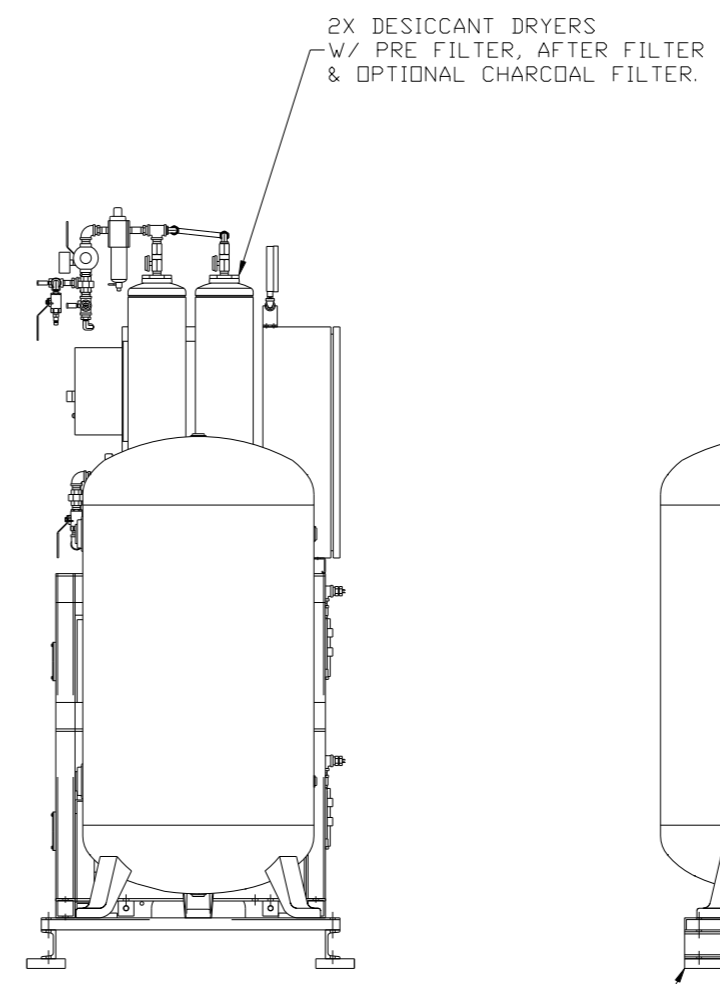
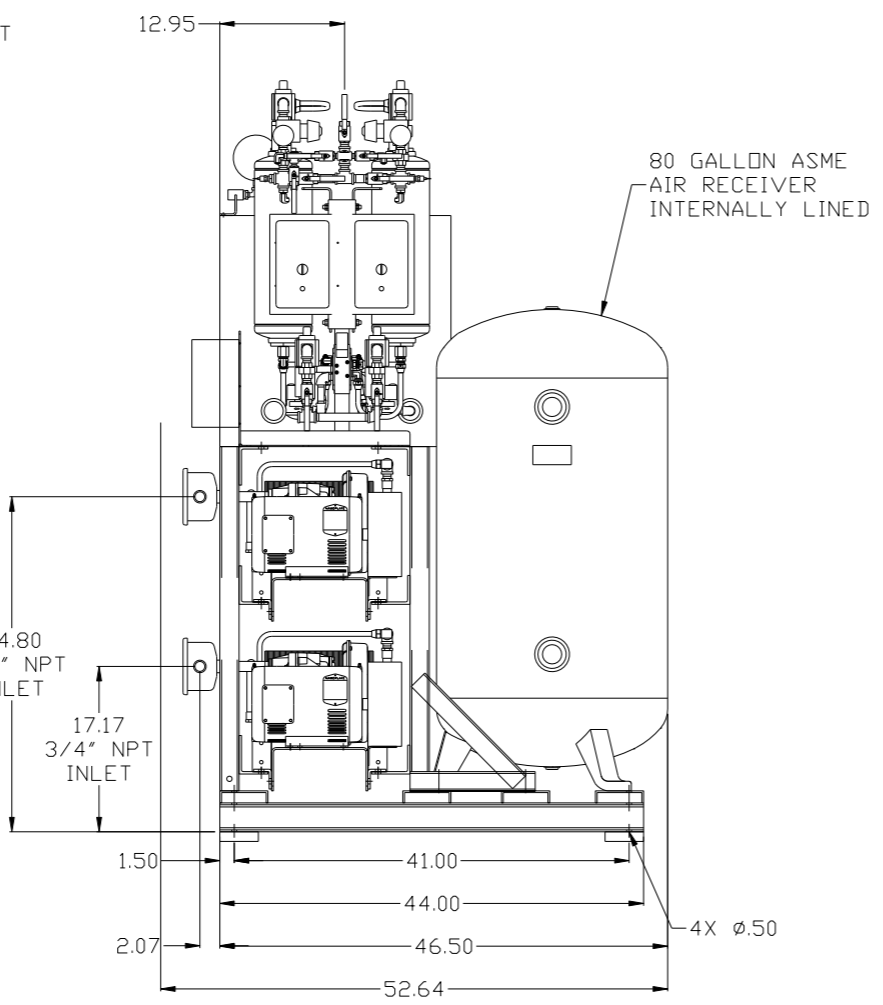
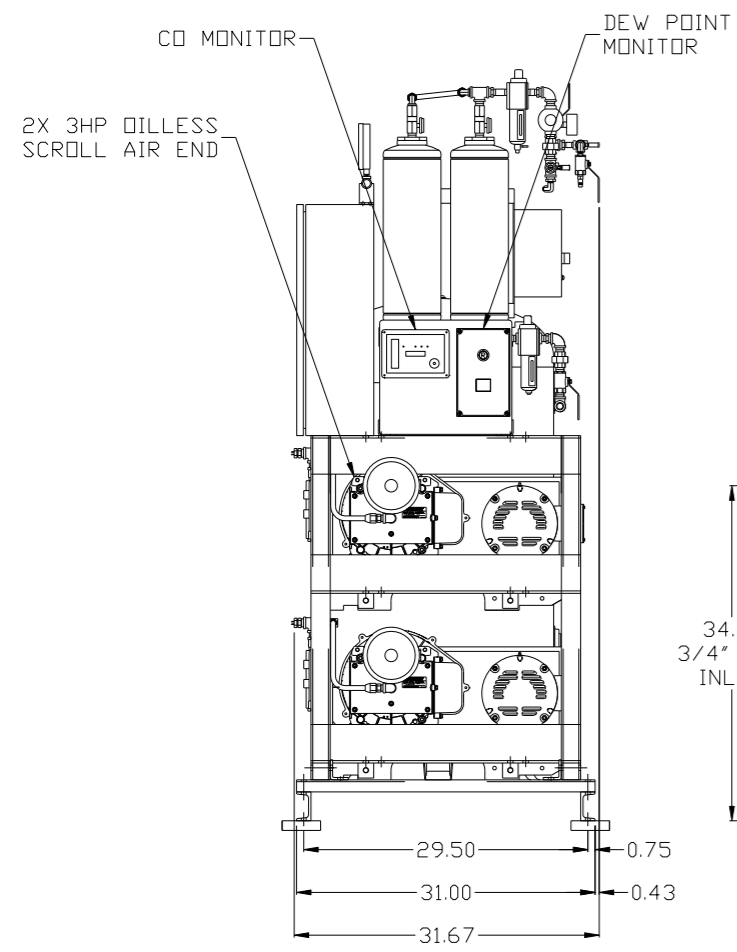
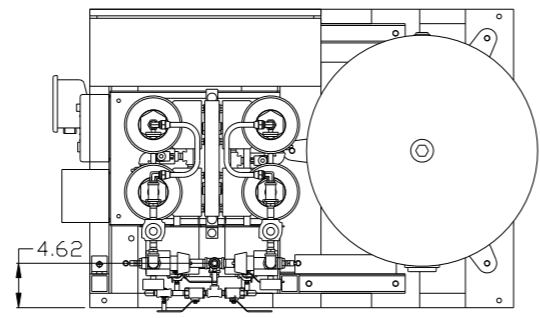


REV	ZONE	REVISION	DATE	ECN	NAME	CHKD
B-1	ALL	RELEASE TO PRODUCTION	3/9/04		GES	DW
L-1	ALL	ADDED PBM SHEETS	10/10/11	22609	AEK	GES
L-2	1 ALL	UPDATED PBM PANEL MOUNTING	12/15/11	22609	AEK	GES
M-1	2 ALL	ADDED/UPDATED FLEX LINES	10/10/12	PXEC0009	AEK	DMS
N-1	2 C-4	MOVED PRESSURE SENSING LOCATION	9/26/14	PXEC0071	AEK	GES
P-1	2 B5,C5	CHANGED FLEX LINES TO 3/4"	8/13/15	PXEC0093	AEK	GES

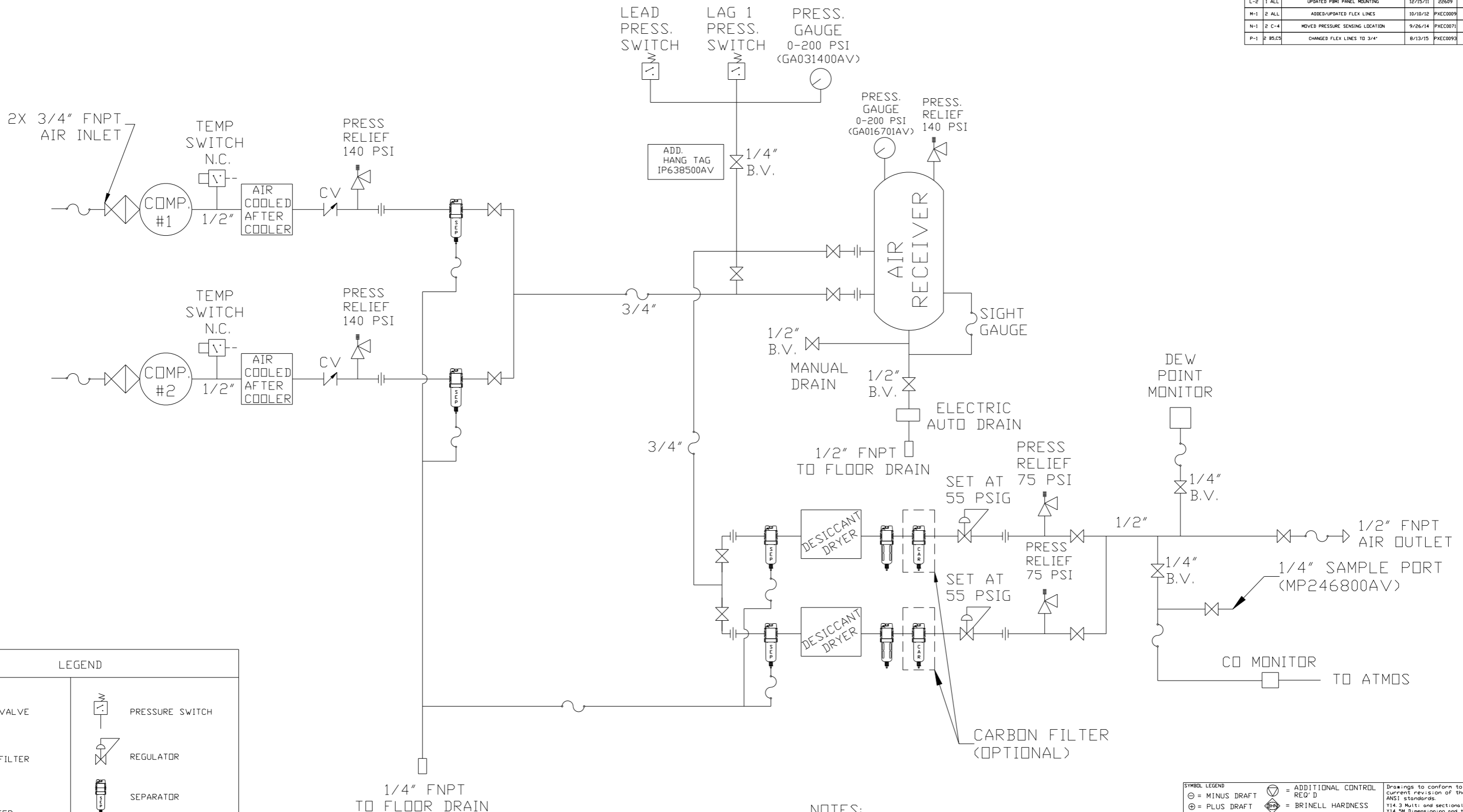


NOTE: A MINIMUM OF 24" CLEARANCE IS RECOMMENDED AROUND THE ENTIRE UNIT.

NOTE: SYSTEM DESIGNED IN COMPLIANCE WITH US NFPA'99, LATEST EDITION.

SYMBOL LEGEND ⊖ = MINUS DRAFT ⊕ = PLUS DRAFT ⊕ = ADDITIONAL CONTROL REQ'D HRC = BRINELL HARDNESS		Drawings to conform to the current revision of the following ANSI standards: Y14.3 Multi and sectional view dgs. Y14.5M Dimensioning and tolerancing	
TOLERANCES NOT SPECIFIED .XX ± .XXX ± <<DEG> ±		AUTOCAD REL2000 INCH	
DO NOT SCALE DRAWING FOR DIMENSIONS Sheet 1 of 2 SCALE 1:10		CONFIDENTIAL DISCLOSURE This drawing is the property of the CAMPBELL GROUP OF THE SCOTT FETZER COMPANY and subject to return on demand. Its contents are confidential and must not be copied or submitted to outside parties for use or examination.	
DRAWN BY: GES CHECKED BY: DWW APPROVED BY: DWW DATE: 3/9/04		POWEREX 150 PRODUCTION DRIVE, HARRISON, OHIO 45030 Ph: 888-769-7979 FAX: (513) 367-3125	
MATERIAL: N/A PART NAME: 3HP SCROLL DUPLEX 80GAL DESICCANT		DWG NO: MSD0303 SIZE: D	

REV	ZONE	REVISION	DATE	ECN	NAME	CHKD
B-1	ALL	RELEASE FOR PRODUCTION	3/9/04		GES	DW
L-1	ALL	ADDED PBM SHEETS	10/10/11	22609	AEK	GES
L-2	1 ALL	UPDATED PBM PANEL MOUNTING	12/15/11	22609	AEK	GES
M-1	2 ALL	ADDED/UPDATED FLEX LINES	10/10/12	PXEC0009	AEK	DMS
N-1	2 C-4	MOVED PRESSURE SENSING LOCATION	9/26/14	PXEC0071	AEK	GES
P-1	2 B5,C5	CHANGED FLEX LINES TO 3/4"	8/13/15	PXEC0093	AEK	GES

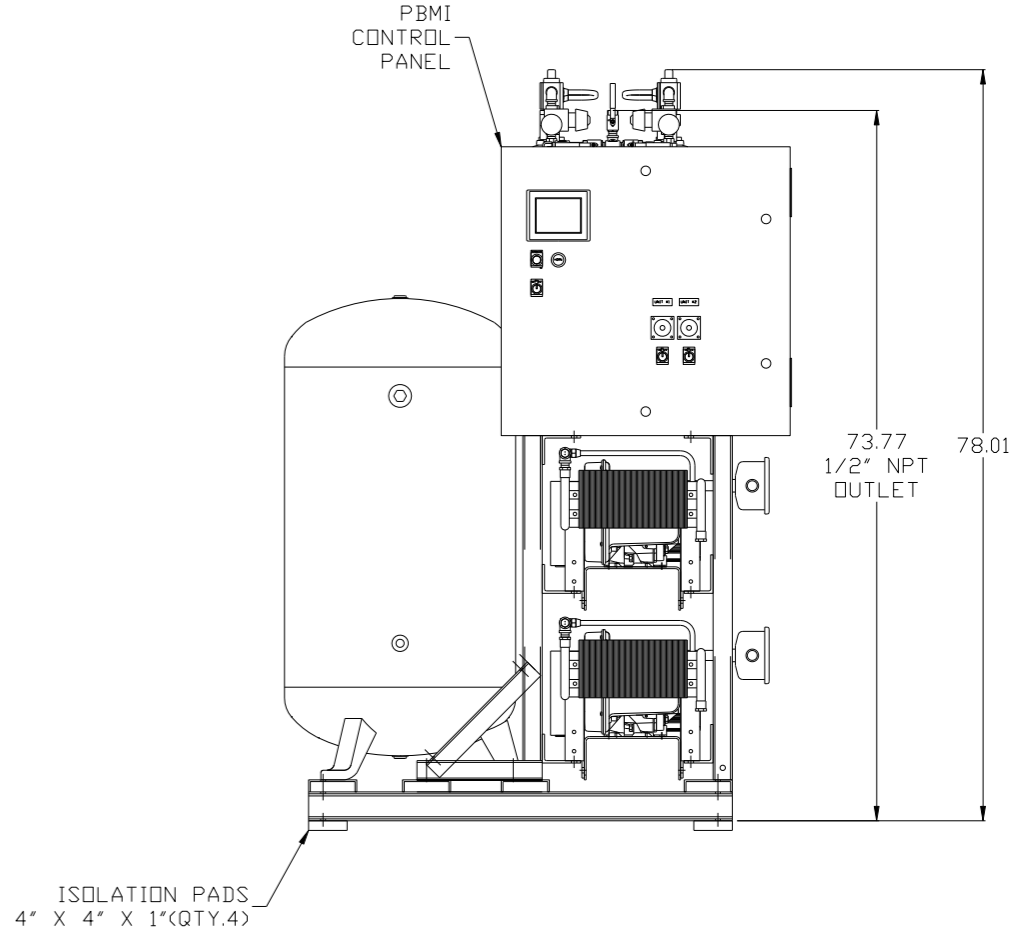
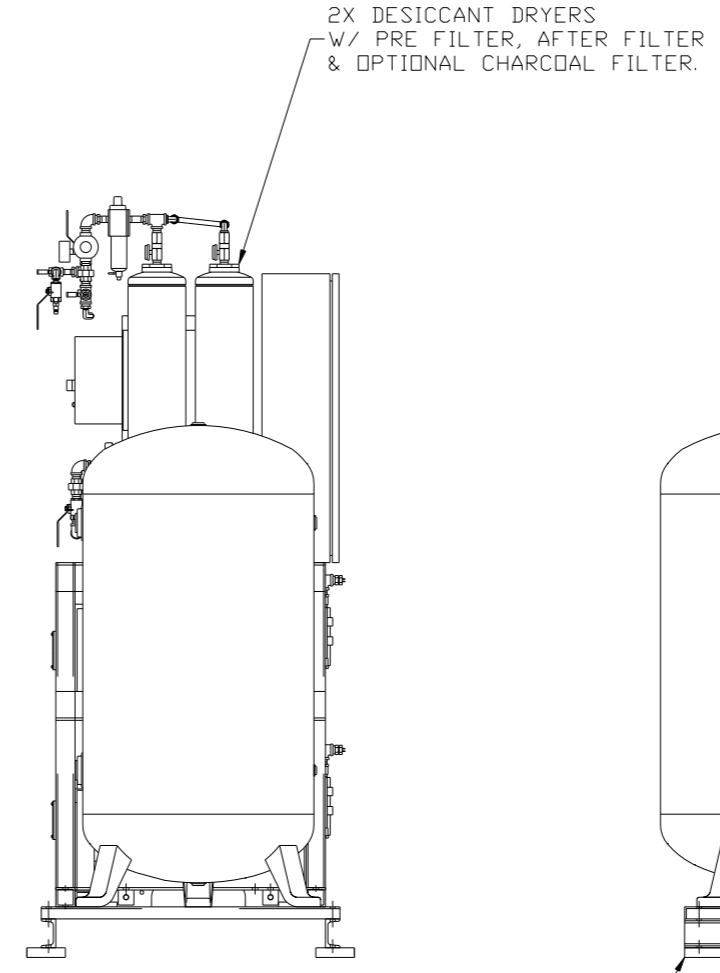
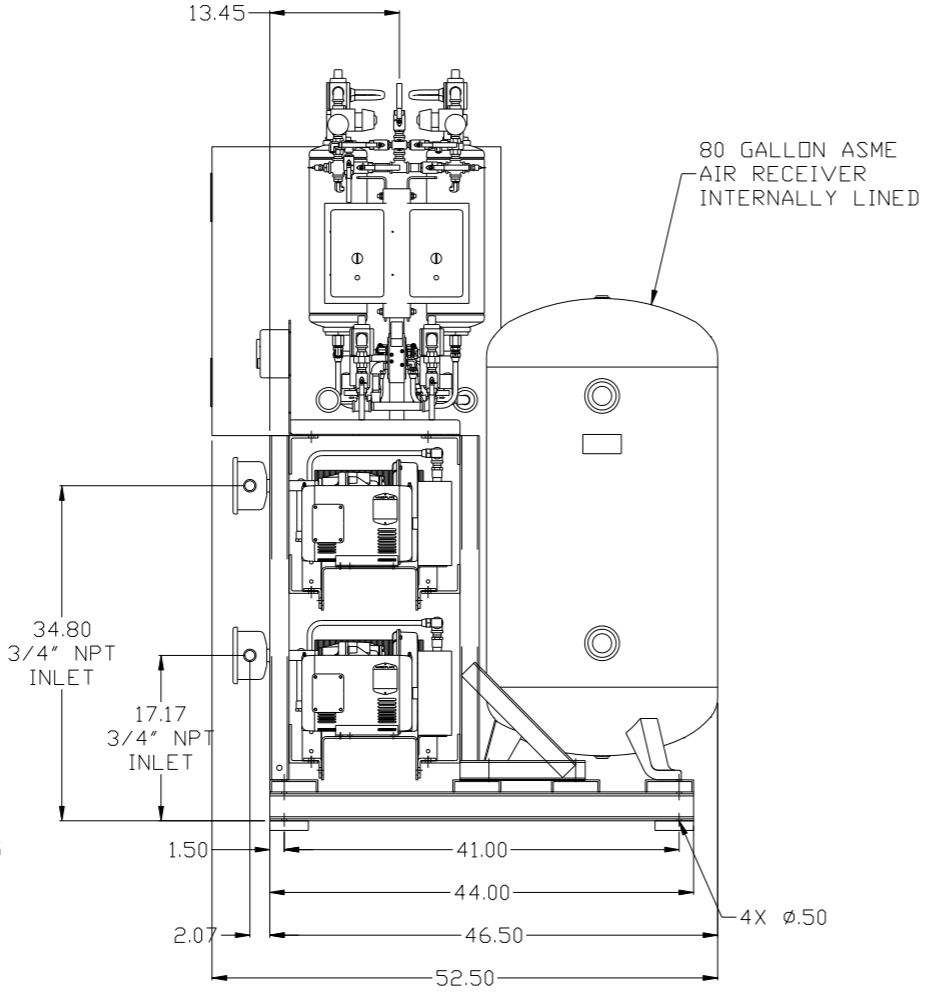
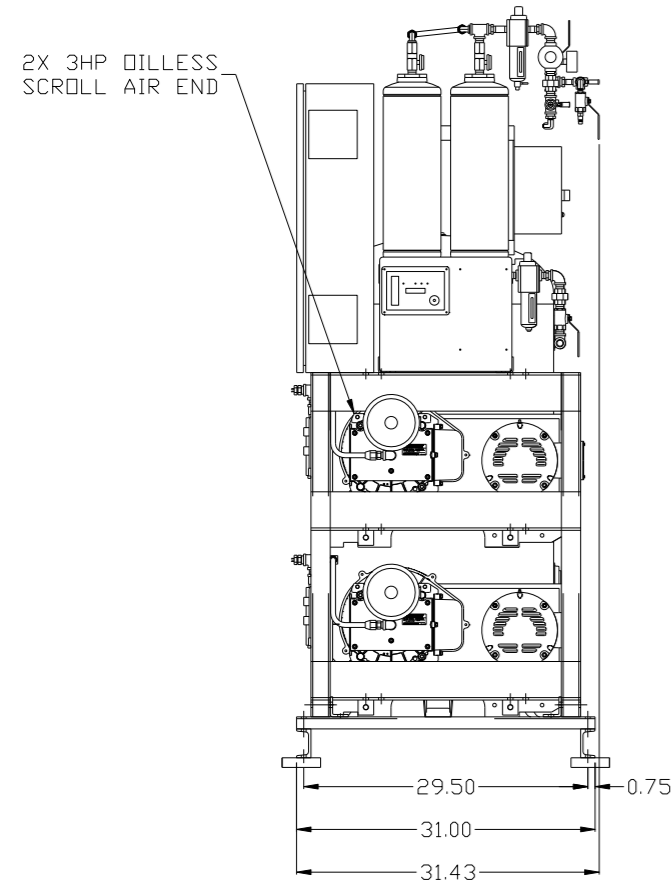
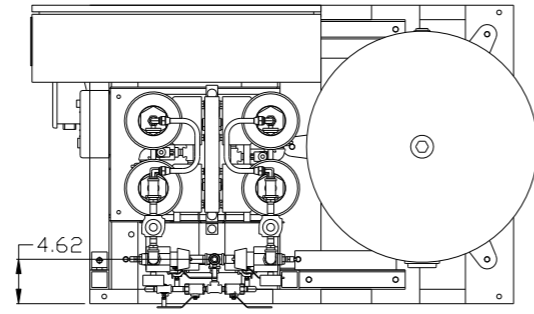


LEGEND	
	RELIEF VALVE
	INTAKE FILTER
	AIR FILTER
	3 WAY VALVE
	CARBON FILTER
	BALL VALVE
	PRESSURE SWITCH
	REGULATOR
	SEPARATOR
	CHECK VALVE
	FLEX LINE
	HIGH TEMP SWITCH
	UNION

- NOTES:
- 1) IF LAG 1 COMPRESSOR IS ENERGIZED ALARM WILL OCCUR.
 - 2) PIPING TO THE INLET BY OTHERS AND TO BE PER NFPA99 4-3.1.1.9(b)
 - 3) INSTRUMENTS DOWN STREAM OF SOURCE VALVE TO BE SUPPLIED BY OTHERS.

SYMBOL LEGEND ⊖ = MINUS DRAFT ⊕ = PLUS DRAFT ⊕ = ADDITIONAL CONTROL REQ'D ⊕ = BRINELL HARDNESS		Drawings to conform to the current revision of the following ANSI standards: Y14.3 Multi and sectional view dgs. Y14.5M Dimensioning and tolerancing
TOLERANCES NOT SPECIFIED .XX ± .XXX ± \angle (DEG) ±	AUTOCAD 2000i INCH	DO NOT SCALE DRAWING FOR DIMENSIONS Sheet 2 of 2 SCALE 1:10
CONFIDENTIAL DISCLOSURE This drawing is the property of the CAMPBELL GROUP OF THE SCOTT FETZER COMPANY and subject to return on demand. Its contents are confidential and must not be copied or submitted to outside parties for use or examination.		APPROVED BY DWW 3/9/04
MATERIAL N/A		POWEREX 150 PRODUCTION DRIVE, HARRISON, OHIO 45030 Ph: 888-769-7979 FAX: (513) 367-3125
PART NAME MEDICAL DUPLEX FLOW SCHEMATIC		DWG NO MSD0303 SIZE D

REV	ZONE	REVISION	DATE	ECN	NAME	CHKD
L-1	ALL	ADDED PBMI SHEETS	10/10/11	22609	AEK	GES
L-2	1 ALL	UPDATED PBMI PANEL MOUNTING	12/15/11	22609	AEK	GES
M-1	2 ALL	ADDED/UPDATED FLEX LINES	10/10/12	PXEC009	AEK	DMS
N-1	2 C-4	MOVED PRESSURE SENSING LOCATION	9/26/14	PXEC007	AEK	GES
P-1	2 BS.CS	CHANGED FLEX LINES TO 3/4"	8/13/15	PXEC093	AEK	GES

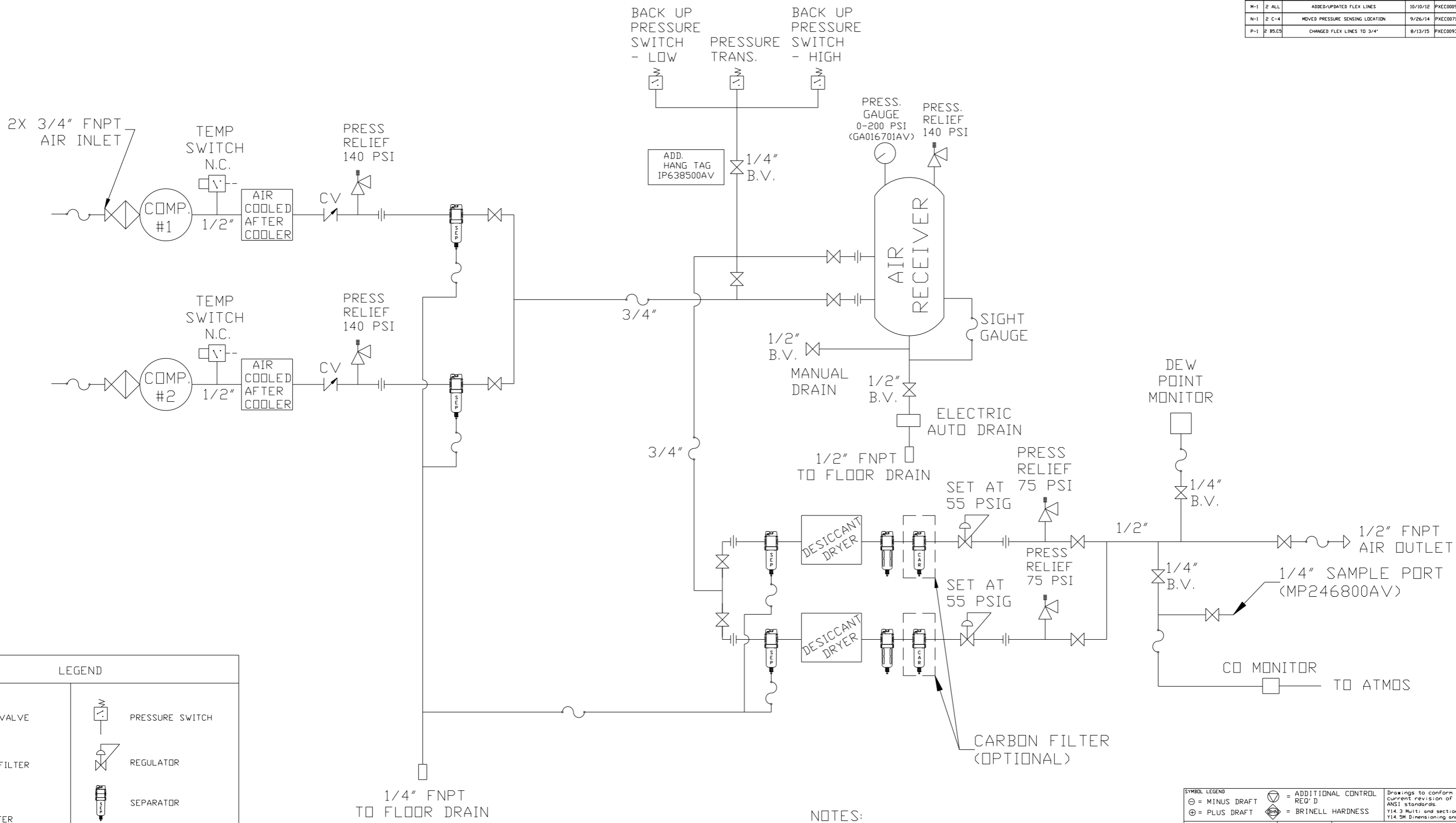


NOTE: A MINIMUM OF 24" CLEARANCE IS RECOMMENDED AROUND THE ENTIRE UNIT.

NOTE: SYSTEM DESIGNED IN COMPLIANCE WITH US NFPA'99, LATEST EDITION.

SYMBOL LEGEND ⊖ = MINUS DRAFT ⊕ = PLUS DRAFT .XX ± .XXX ± <ANGLE> ± ⊕ = ADDITIONAL CONTROL REQ'D HB = BRINELL HARDNESS		Drawings to conform to the current revision of the following ANSI standards: Y14.3 Multi and sectional view dgs. Y14.5M Dimensioning and tolerancing	
TOLERANCES NOT SPECIFIED AUTOCAD REL2008 LT INCH		DO NOT SCALE DRAWING FOR DIMENSIONS Sheet 1 of 2 SCALE 1:10	
CONFIDENTIAL DISCLOSURE This drawing is the property of the CAMPBELL GROUP OF THE SCOTT FETZER COMPANY and subject to return on demand. Its contents are confidential and must not be copied or submitted to outside parties for use or examination.		DRAWN BY AEK	CHECKED BY GES
MATERIAL N/A		APPROVED BY ENGINEERING DMS	MFG/MKTG RJR
PART NAME 3HP SCROLL DUPLEX 80GAL DESICCANT		10/10/11	10/10/11 10/10/11 10/10/11
DWG NO MSD0303		POWEREX 150 PRODUCTION DRIVE, HARRISON, OHIO 45030 Ph: 888-769-7979 FAX: (513) 367-3125	
SIZE D		MS0303.dwg	

REV	ZONE	REVISION	DATE	ECN	NAME	CHKD
L-1	ALL	ADDED PBM1 SHEETS	10/10/11	22609	AEK	GES
L-2	1 ALL	UPDATED PBM1 PANEL MOUNTING	12/15/11	22609	AEK	GES
M-1	2 ALL	ADDED/UPDATED FLEX LINES	10/10/12	PXEC0099	AEK	DMS
N-1	2 C-4	MOVED PRESSURE SENSING LOCATION	9/26/14	PXEC0071	AEK	GES
P-1	2 BS.CS	CHANGED FLEX LINES TO 3/4"	8/13/15	PXEC0093	AEK	GES



LEGEND	
	RELIEF VALVE
	INTAKE FILTER
	AIR FILTER
	3 WAY VALVE
	CARBON FILTER
	BALL VALVE
	PRESSURE SWITCH
	REGULATOR
	SEPARATOR
	CHECK VALVE
	FLEX LINE
	HIGH TEMP SWITCH
	UNION

- NOTES:
- 1) IF LAG 1 COMPRESSOR IS ENERGIZED ALARM WILL OCCUR.
 - 2) PIPING TO THE INLET BY OTHERS AND TO BE PER NFPA99 4-3.1.1.9(b)
 - 3) INSTRUMENTS DOWN STREAM OF SOURCE VALVE TO BE SUPPLIED BY OTHERS.

SYMBOL LEGEND ⊖ = MINUS DRAFT ⊕ = PLUS DRAFT ⊕ = ADDITIONAL CONTROL REQ'D ⊕ = BRINELL HARDNESS		Drawings to conform to the current revision of the following ANSI standards: Y14.3 Multi and sectional view dgs. Y14.5M Dimensioning and tolerancing
TOLERANCES NOT SPECIFIED .XX ± .XXX ± \angle (DEG) ±	AUTOCAD REL2008 LT INCH	DO NOT SCALE DRAWING FOR DIMENSIONS Sheet 2 of 2 SCALE 1:10
CONFIDENTIAL DISCLOSURE This drawing is the property of the CAMPBELL GROUP OF THE SCOTT FETZER COMPANY and subject to return on demand. Its contents are confidential and must not be copied or submitted to outside parties for use or examination.		
MATERIAL N/A	DRAWN BY AEK	CHECKED BY GES
PART NAME MEDICAL DUPLEX FLOW SCHEMATIC	APPROVED BY DMS	APPROVED BY RJR
DWG NO MSD0303	DATE 10/10/11	DATE 10/10/11
SIZE D	DATE 10/10/11	DATE 10/10/11