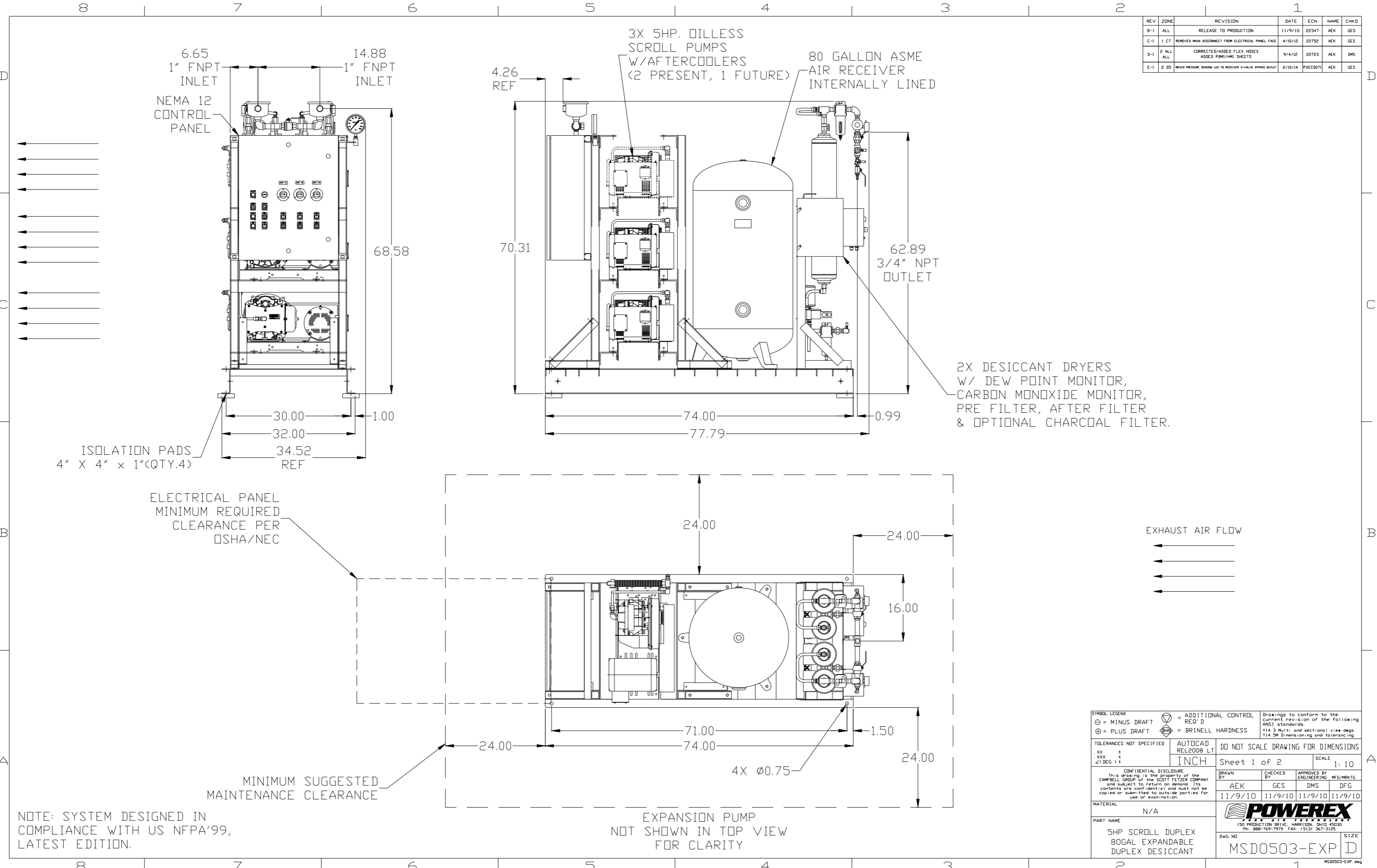


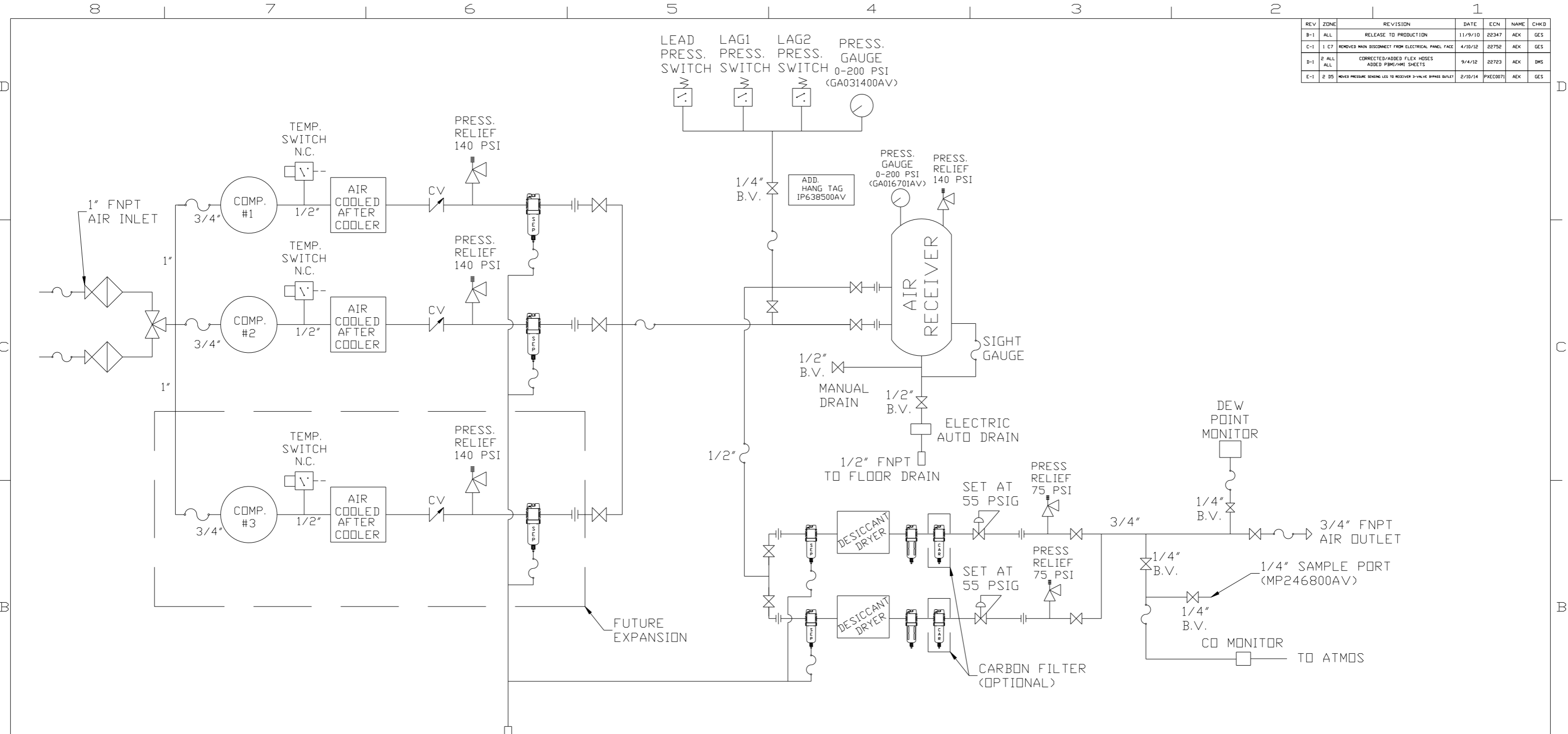
REV	ZONE	REVISION	DATE	ECN	NAME	CHKD
B-1	ALL	RELEASE TO PRODUCTION	11/9/10	22347	AEK	GES
C-1	1 C7	REMOVED MAIN DISCONNECT FROM ELECTRICAL PANEL FACE	4/10/12	22752	AEK	GES
D-1	2 ALL	CORRECTED/ADDED FLEX HOSES ADDED P&ID/P&ME SHEETS	9/4/12	22723	AEK	DMS
E-1	2 D5	MOVED PRESSURE SENSING LEG TO RECEIVER 3-VALVE BYPASS OUTLET	2/10/14	PXEC0071	AEK	GES



NOTE: SYSTEM DESIGNED IN COMPLIANCE WITH US NFPA'99, LATEST EDITION.

SYMBOL LEGEND		= ADDITIONAL CONTROL REQ'D		Drawings to conform to the current revision of the following ANSI standards:	
⊖	MINUS DRAFT	⊕	PLUS DRAFT	Y14.3	Multi and sectional view dsgs.
⊕	PLUS DRAFT	⊖	MINUS DRAFT	Y14.5M	Dimensioning and tolerancing
TOLERANCES NOT SPECIFIED		AUTOCAD REL2008 LT		DO NOT SCALE DRAWING FOR DIMENSIONS	
.XX	±	INCH		Sheet 1 of 2	SCALE 1:10
.XXX	±				
<DEG>	±				
CONFIDENTIAL DISCLOSURE		DRAWN BY		CHECKED BY	
This drawing is the property of the CAMPBELL GROUP OF THE SCOTT FETZER COMPANY and subject to return on demand. Its contents are confidential and must not be copied or submitted to outside parties for use or examination.		AEK		GES	
		11/9/10		11/9/10	
MATERIAL		N/A		APPROVED BY	
				ENGINEERING MFG/MKTG	
				DMS DFG	
				11/9/10 11/9/10	
PART NAME		SHP SCROLL DUPLEX		80GAL EXPANDABLE	
		80GAL EXPANDABLE		DUPLEX DESICCANT	
DWG NO		MSD0503-EXP		SIZE D	

REV	ZONE	REVISION	DATE	ECN	NAME	CHKD
B-1	ALL	RELEASE TO PRODUCTION	11/9/10	22347	AEK	GES
C-1	1 C7	REMOVED MAIN DISCONNECT FROM ELECTRICAL PANEL FACE	4/10/12	22752	AEK	GES
D-1	2 ALL	CORRECTED/ADDED FLEX HOSES ADDED PBM/PHS SHEETS	9/4/12	22723	AEK	DMS
E-1	2 D5	MOVED PRESSURE SENSING LEG TO RECEIVER 3-VALVE BYPASS OUTLET	2/10/14	PXEC0071	AEK	GES



LEAD PRESS. SWITCH
LAG1 PRESS. SWITCH
LAG2 PRESS. SWITCH
PRESS. GAUGE 0-200 PSI (GA031400AV)

1/4" B.V.
ADD. HANG TAG IP638500AV
PRESS. GAUGE 0-200 PSI (GA016701AV)
PRESS. RELIEF 140 PSI

1/2" B.V. MANUAL DRAIN
1/2" FNPT TO FLOOR DRAIN
ELECTRIC AUTO DRAIN
PRESS. RELIEF 75 PSI

DESICCANT DRYER
SET AT 55 PSIG
PRESS. RELIEF 75 PSI
DESICCANT DRYER
SET AT 55 PSIG
PRESS. RELIEF 75 PSI
CARBON FILTER (OPTIONAL)

DEW POINT MONITOR
1/4" B.V.
3/4" FNPT AIR OUTLET
1/4" SAMPLE PORT (MP246800AV)
1/4" B.V.
CO MONITOR TO ATMOS

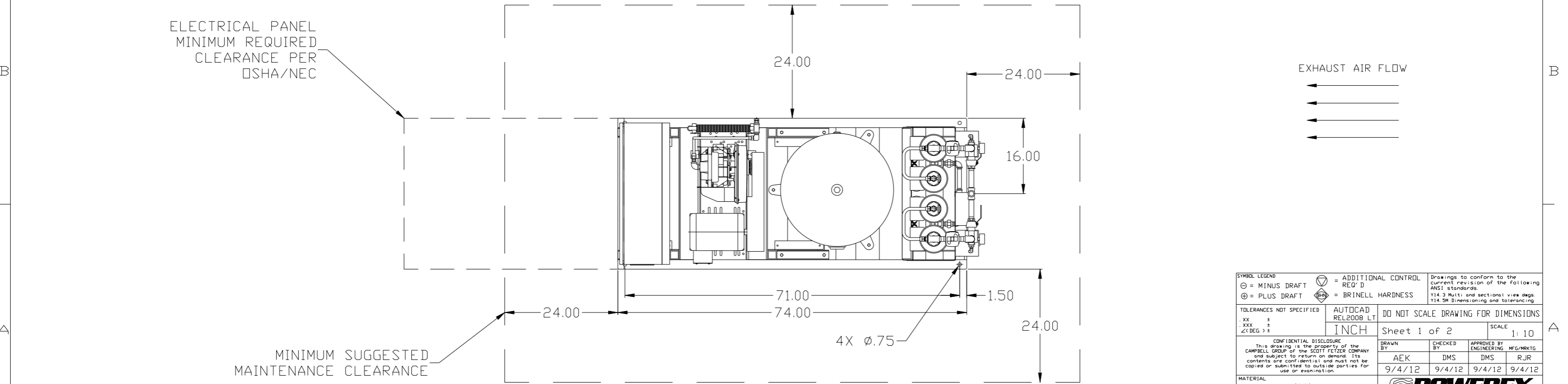
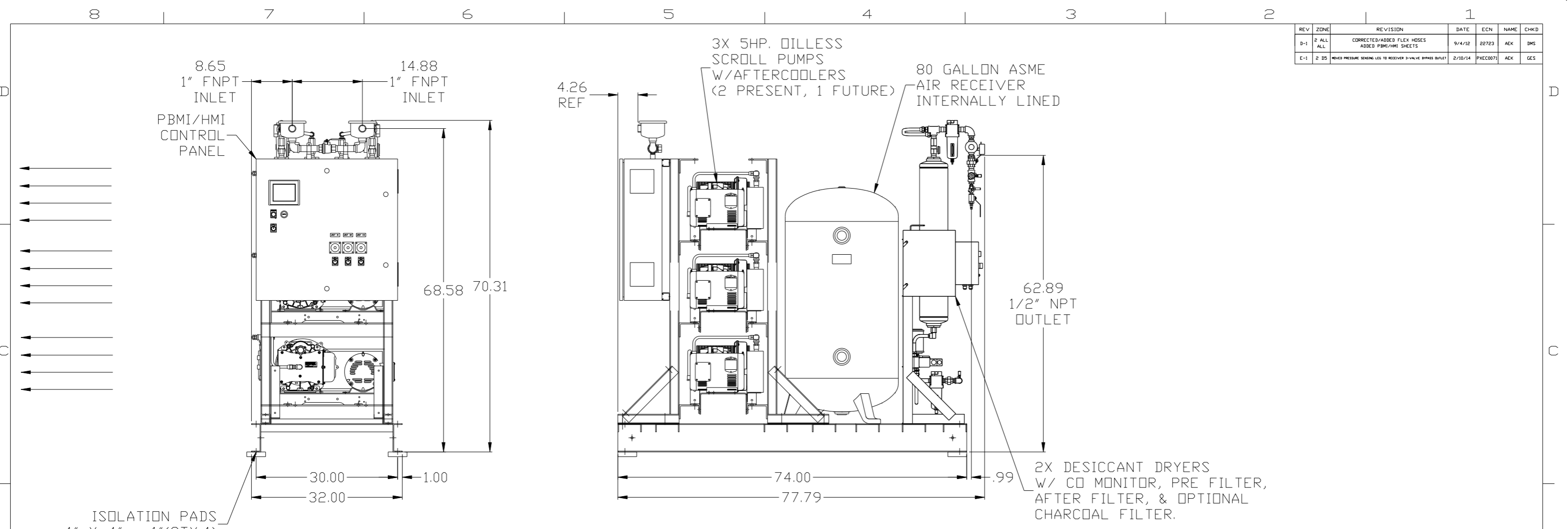
1/4" FNPT TO FLOOR DRAIN

LEGEND	
	RELIEF VALVE
	INTAKE FILTER
	AIR FILTER
	3 WAY VALVE
	CARBON FILTER
	BALL VALVE
	PRESSURE SWITCH
	REGULATOR
	SEPARATOR
	CHECK VALVE
	FLEX LINE
	HIGH TEMP SWITCH
	UNION

NOTES:
1) IF LAG 2 COMPRESSOR IS ENERGIZED ALARM WILL OCCUR.
2) PIPING TO THE INLET BY OTHERS AND TO BE PER NFPA99 4-3.1.1.9(b)
3) INSTRUMENTS DOWN STREAM OF SOURCE VALVE TO BE SUPPLIED BY OTHERS.

SYMBOL LEGEND		AUTOCAD REL2008 LT		DO NOT SCALE DRAWING FOR DIMENSIONS	
	= MINUS DRAFT		= ADDITIONAL CONTROL REQ'D	Drawings to conform to the current revision of the following ANSI standards: Y14.3 Multi and sectional view dsgs. Y14.5M Dimensioning and tolerancing	
	= PLUS DRAFT		= BRINELL HARDNESS	Sheet 2 of 2	
TOLERANCES NOT SPECIFIED		INCH		SCALE 1:10	
<small>CONFIDENTIAL DISCLOSURE</small> This drawing is the property of the CAMPBELL GROUP OF THE SCOTT FETZER COMPANY and subject to return on demand. Its contents are confidential and must not be copied or submitted to outside parties for use or examination.					
DRAWN BY		CHECKED BY		APPROVED BY	
AEK		GES		DMS DFG	
11/9/10		11/9/10		11/9/10 11/9/10	
MATERIAL		N/A		 150 PRODUCTION DRIVE, HARRISON, OHIO 45030 Ph: 888-769-7979 FAX: (513) 367-3125	
PART NAME		MEDICAL SCROLL DUPLEX EXPANDABLE FLOW SCHEMATIC		DWG NO: MSD0503-EXP SIZE: D	

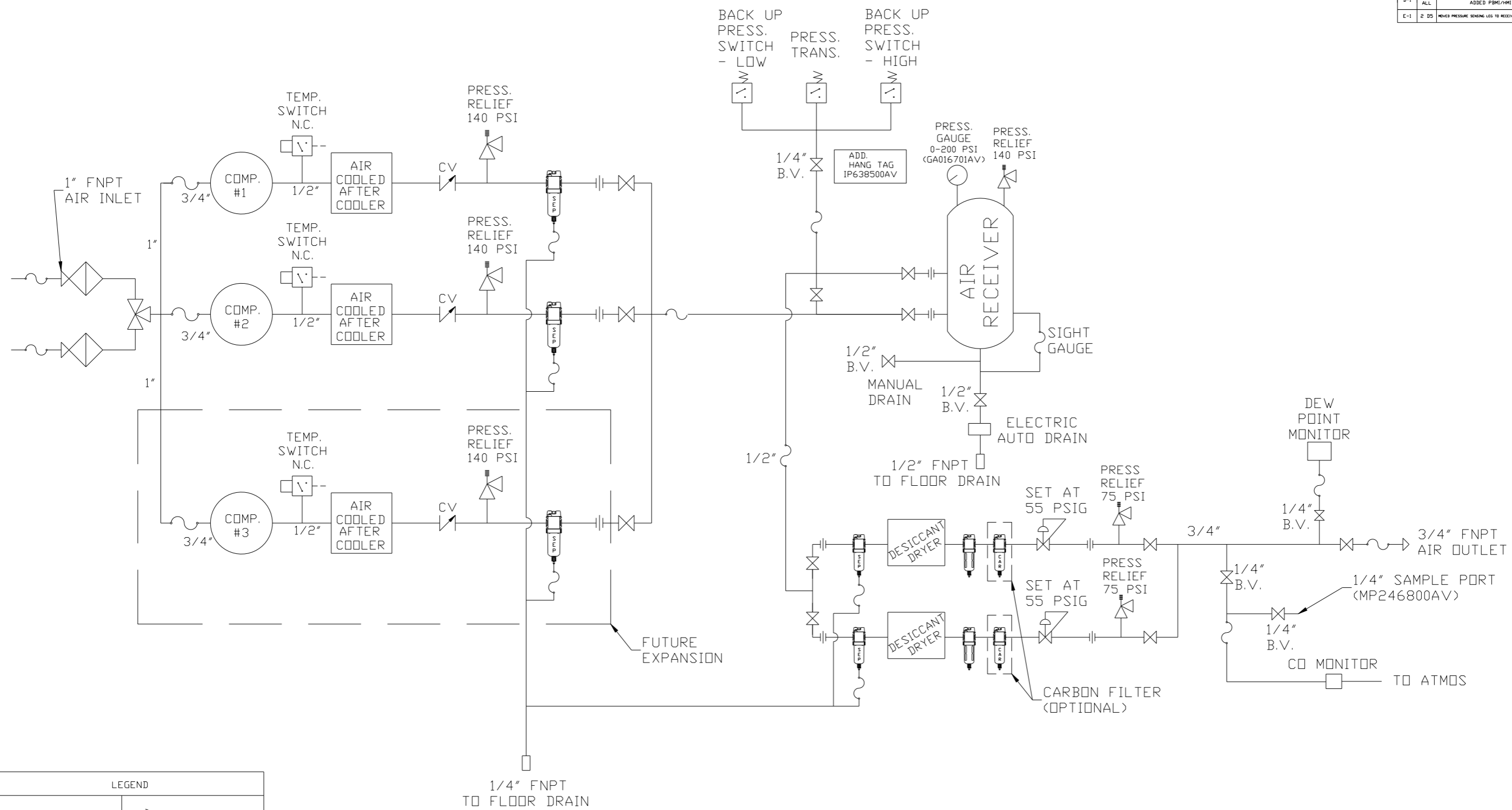
REV	ZONE	REVISION	DATE	ECN	NAME	CHKD
D-1	2 ALL	CORRECTED/ADDED FLEX HOSES ADDED PBMI/HMI SHEETS	9/4/12	22723	AEK	DMS
E-1	2 DS	MOVED PRESSURE SENSING LEG TO RECEIVER 3-VALVE BYPASS OUTLET	2/10/14	PXEC0071	AEK	GES



NOTE: SYSTEM DESIGNED IN COMPLIANCE WITH US NFPA'99, LATEST EDITION.

SYMBOL LEGEND ⊖ = MINUS DRAFT ⊕ = PLUS DRAFT ∅ = ADDITIONAL CONTROL REQ'D HRC = BRINELL HARDNESS		Drawings to conform to the current revision of the following ANSI standards: Y14.3 Multi and sectional view dgs. Y14.5M Dimensioning and tolerancing	
TOLERANCES NOT SPECIFIED .XX ± .XXX ± <DEG> ±		AUTOCAD REL2008 LT INCH DO NOT SCALE DRAWING FOR DIMENSIONS Sheet 1 of 2 SCALE 1:10	
CONFIDENTIAL DISCLOSURE This drawing is the property of the CAMPBELL GROUP OF THE SCOTT FETZER COMPANY and subject to return on demand. Its contents are confidential and must not be copied or submitted to outside parties for use or examination.		DRAWN BY: AEK CHECKED BY: DMS ENGINEERING: DMS MFG/MKTG: RJR 9/4/12 9/4/12 9/4/12 9/4/12	
MATERIAL: N/A		POWEREX 150 PRODUCTION DRIVE, HARRISON, OHIO 45030 Ph: 888-769-7979 FAX: (513) 367-3125	
PART NAME: SHP SCROLL DUPLEX 80GAL EXPANDABLE DUPLEX DESICCANT		DWG NO: MSD0503-EXP SIZE: D	

REV	ZONE	REVISION	DATE	ECN	NAME	CHKD
D-1	2 ALL	CORRECTED/ADDED FLEX HOSES ADDED PBM/HMI SHEETS	9/4/12	22723	AEK	DMS
E-1	2 D5	MOVED PRESSURE SENSING LEG TO RECEIVER 3-VALVE BYPASS OUTLET	2/10/14	PXEC0071	AEK	GES



LEGEND	
	RELIEF VALVE
	INTAKE FILTER
	AIR FILTER
	3 WAY VALVE
	CARBON FILTER
	BALL VALVE
	PRESSURE SWITCH
	REGULATOR
	SEPARATOR
	CHECK VALVE
	FLEX LINE
	HIGH TEMP SWITCH
	UNION

NOTES:
 1) IF LAG 2 COMPRESSOR IS ENERGIZED ALARM WILL OCCUR.
 2) PIPING TO THE INLET BY OTHERS AND TO BE PER NFPA99 4-3.1.1.9(b)
 3) INSTRUMENTS DOWN STREAM OF SOURCE VALVE TO BE SUPPLIED BY OTHERS.

SYMBOL LEGEND			ADDITIONAL CONTROL REQ'D	Drawings to conform to the current revision of the following ANSI standards:
	MINUS DRAFT		BRINELL HARDNESS	Y14.3 Multi and sectional view dsgs. Y14.5M Dimensioning and tolerancing
TOLERANCES NOT SPECIFIED		AUTOCAD REL2008 LT	DO NOT SCALE DRAWING FOR DIMENSIONS	
.XX ±	.XXX ±	<DEG> ±	Sheet 2 of 2	SCALE 1:10
CONFIDENTIAL DISCLOSURE This drawing is the property of the CAMPBELL GROUP OF THE SCOTT FETZER COMPANY and subject to return on demand. Its contents are confidential and must not be copied or submitted to outside parties for use or examination.				
DRAWN BY	CHECKED BY	ENGINEERING	APPROVED BY	MFG/MKTG
AEK	DMS	DMS	RJR	
9/4/12	9/4/12	9/4/12	9/4/12	
MATERIAL N/A				
PART NAME		MEDICAL SCROLL DUPLEX EXPANDABLE FLOW SCHEMATIC		
DWG NO		MSD0503-EXP D		
SIZE		D		