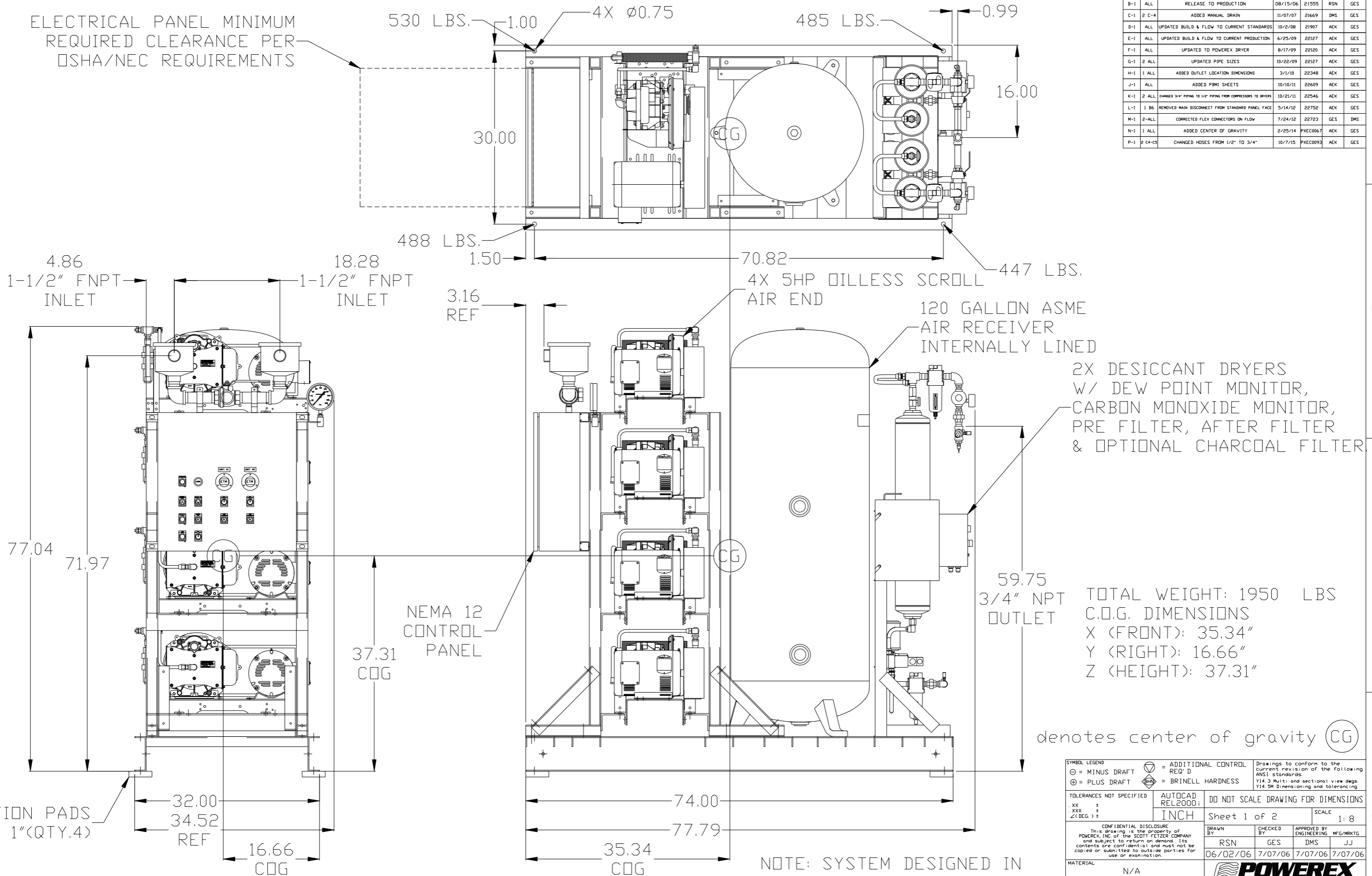


ELECTRICAL PANEL MINIMUM
REQUIRED CLEARANCE PER
OSHA/NEC REQUIREMENTS

REV	ZONE	REVISION	DATE	ECN	NAME	CHKD
B-1	ALL	RELEASE TO PRODUCTION	08/15/06	21555	RSN	GES
C-1	2 C-4	ADDED MANUAL DRAIN	11/07/07	21669	DMS	GES
D-1	ALL	UPDATED BUILD & FLOW TO CURRENT STANDARDS	10/2/08	21907	AEK	GES
E-1	ALL	UPDATED BUILD & FLOW TO CURRENT PRODUCTION	6/25/09	22127	AEK	GES
F-1	ALL	UPDATED TO POWEREX DRYER	8/17/09	22129	AEK	GES
G-1	2 ALL	UPDATED PIPE SIZES	10/22/09	22127	AEK	GES
H-1	1 ALL	ADDED OUTLET LOCATION DIMENSIONS	3/1/10	22348	AEK	GES
J-1	ALL	ADDED P&ID SHEETS	10/10/11	22609	AEK	GES
K-1	2 ALL	CHANGED 3/4" PIPING TO 1/2" PIPING FROM COMPRESSORS TO DRIVERS	10/21/11	22546	AEK	GES
L-1	1 B6	REMOVED MAIN DISCONNECT FROM STANDARD PANEL FACE	5/14/12	22752	AEK	GES
M-1	2-ALL	CORRECTED FLEX CONNECTORS ON FLOW	7/24/12	22723	GES	DMS
N-1	1 ALL	ADDED CENTER OF GRAVITY	2/25/14	PXEC0067	AEK	GES
P-1	2 C4-C5	CHANGED HOSES FROM 1/2" TO 3/4"	10/7/15	PXEC0093	AEK	GES



TOTAL WEIGHT: 1950 LBS
C.O.G. DIMENSIONS
X (FRONT): 35.34"
Y (RIGHT): 16.66"
Z (HEIGHT): 37.31"

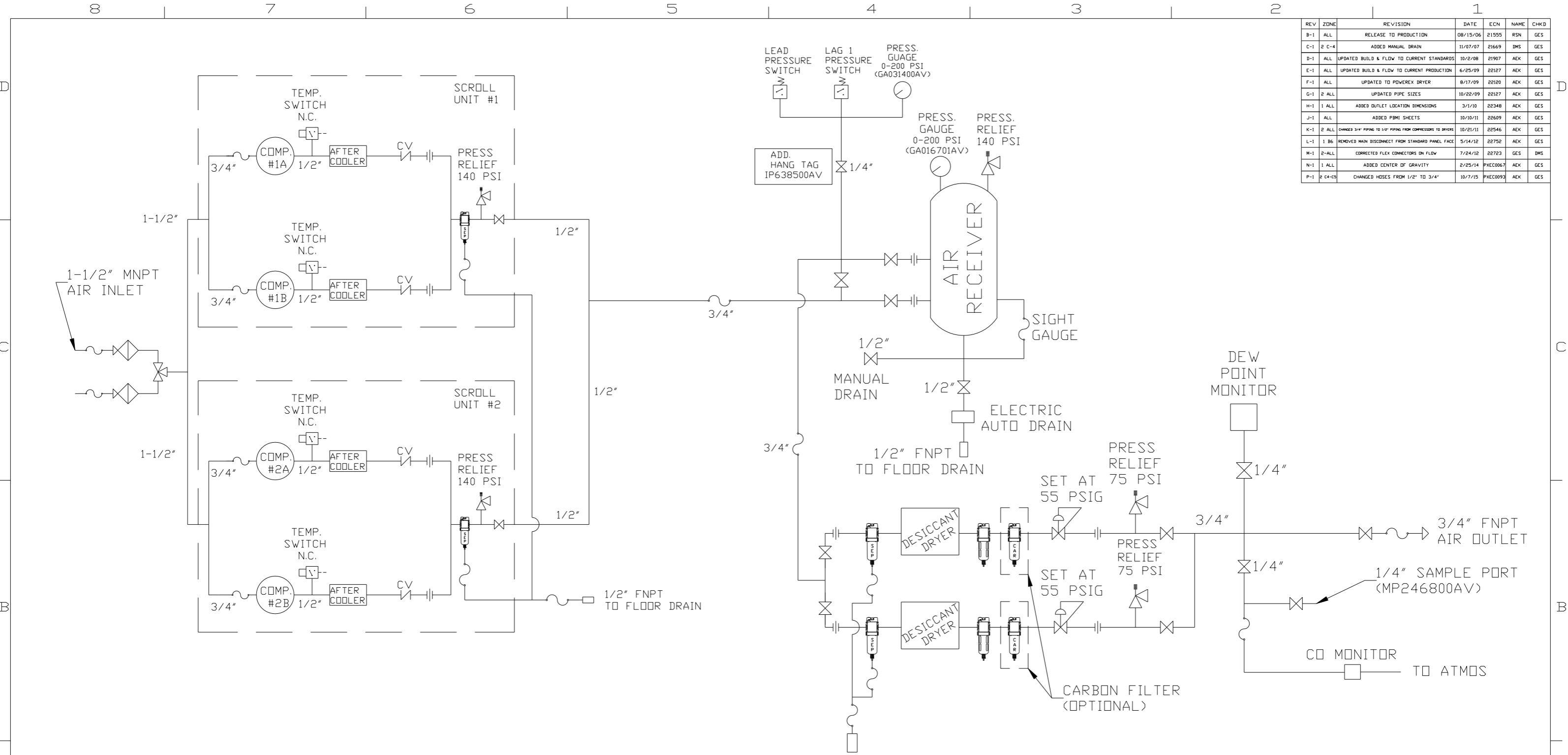
denotes center of gravity (CG)

NOTE: A MINIMUM OF 24" CLEARANCE IS
RECOMMENDED AROUND THE ENTIRE UNIT.

NOTE: SYSTEM DESIGNED IN
COMPLIANCE WITH US NFPA'99,
LATEST EDITION.

SYMBOL LEGEND		= ADDITIONAL CONTROL REQ'D		Drawings to conform to the current revision of the following ANSI standards:	
⊖	MINUS DRAFT	⊕	PLUS DRAFT	⊖	BRINELL HARDNESS
TOLERANCES NOT SPECIFIED		AUTOCAD REL2000:		DO NOT SCALE DRAWING FOR DIMENSIONS	
.XX ±		INCH		Sheet 1 of 2	
.XXX ±				SCALE 1:8	
<Z(DEG) ±					
CONFIDENTIAL DISCLOSURE					
This drawing is the property of POWEREX, INC. of the SCOTT FETZER COMPANY and subject to return on demand. Its contents are confidential and must not be copied or submitted to outside parties for use or examination.					
DRAWN BY		CHECKED BY		APPROVED BY	
RSN		GES		DMS JJ	
06/02/06		7/07/06		7/07/06 7/07/06	
MATERIAL N/A					
PART NAME				SIZE	
DUPLEX DILLESS SCROLL 10HP, 120GAL. BASEMOUNT DUPLEX DESICCANT				MSD1004 D	

REV	ZONE	REVISION	DATE	ECN	NAME	CHKD
B-1	ALL	RELEASE TO PRODUCTION	08/15/06	21555	RSN	GES
C-1	2 C-4	ADDED MANUAL DRAIN	11/07/07	21669	DMS	GES
D-1	ALL	UPDATED BUILD & FLOW TO CURRENT STANDARDS	10/2/08	21907	AEK	GES
E-1	ALL	UPDATED BUILD & FLOW TO CURRENT PRODUCTION	6/25/09	22127	AEK	GES
F-1	ALL	UPDATED TO POWEX DRYER	8/17/09	22129	AEK	GES
G-1	2 ALL	UPDATED PIPE SIZES	10/22/09	22127	AEK	GES
H-1	1 ALL	ADDED OUTLET LOCATION DIMENSIONS	3/1/10	22348	AEK	GES
J-1	ALL	ADDED P&MI SHEETS	10/10/11	22609	AEK	GES
K-1	2 ALL	CHANGED 3/4" PIPING TO 1/2" PIPING FROM COMPRESSORS TO DRIVERS	10/21/11	22546	AEK	GES
L-1	1 B6	REMOVED MAIN DISCONNECT FROM STANDARD PANEL FACE	5/14/12	22752	AEK	GES
M-1	2-ALL	CORRECTED FLEX CONNECTORS ON FLOW	7/24/12	22723	GES	DMS
N-1	1 ALL	ADDED CENTER OF GRAVITY	2/25/14	PXEC0067	AEK	GES
P-1	2 C4-C5	CHANGED HOSES FROM 1/2" TO 3/4"	10/7/15	PXEC0093	AEK	GES



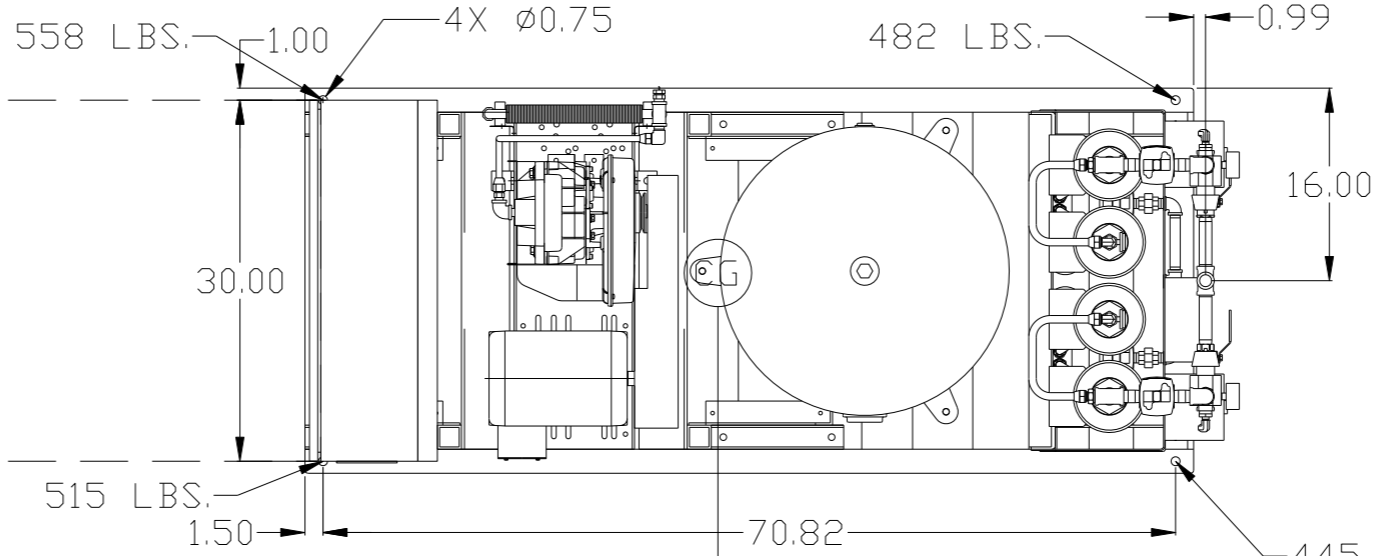
LEGEND	
	RELIEF VALVE
	INTAKE FILTER
	AIR FILTER
	3 WAY VALVE
	CARBON FILTER
	BALL VALVE
	PRESSURE SWITCH
	REGULATOR
	SEPARATOR
	CHECK VALVE
	FLEX LINE
	HIGH TEMP SWITCH
	UNION

NOTES:
 1) IF LAG 1 COMPRESSOR IS ENERGIZED ALARM WILL OCCUR.
 2) PIPING TO THE INLET BY OTHERS AND TO BE PER NFPA99 4-3.1.1.9(b)
 3) INSTRUMENTS DOWN STREAM OF SOURCE VALVE TO BE SUPPLIED BY OTHERS.

SYMBOL LEGEND			= ADDITIONAL CONTROL REQ'D	Drawings to conform to the current revision of the following ANSI standards: Y14.3 Multi and sectional view dgs. Y14.5M Dimensioning and tolerancing
TOLERANCES NOT SPECIFIED			= BRINELL HARDNESS	
.XX ±	AUTOCAD REL2000:	DO NOT SCALE DRAWING FOR DIMENSIONS		SCALE 1:8
.XXX ±	INCH	Sheet 2 of 2		
CONFIDENTIAL DISCLOSURE This drawing is the property of POWEX, INC. of the SCOTT FETZER COMPANY and subject to return on demand. Its contents are confidential and must not be copied or submitted to outside parties for use or examination.		DRAWN BY	CHECKED BY	APPROVED BY
		RSN	GES	DMS JJ
		06/02/06	7/07/06	7/07/06 7/07/06
MATERIAL		N/A		
PART NAME		MEDICAL SCROLL DUPLEX PACKAGE FLOW SCHEMATIC		
DWG NO		MSD1004		SIZE D

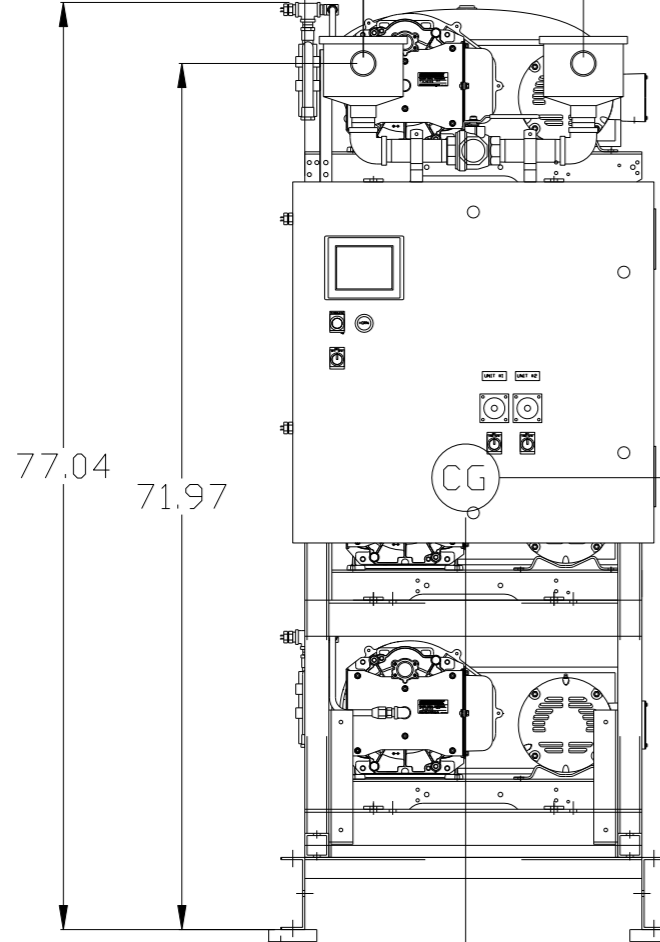
ELECTRICAL PANEL MINIMUM
REQUIRED CLEARANCE PER
OSHA/NEC REQUIREMENTS

REV	ZONE	REVISION	DATE	ECN	NAME	CHKD
J-1	ALL	ADDED PBMI SHEETS	10/10/11	22609	AEK	GES
K-1	2 ALL	CHANGED 3/4" PIPING TO 1/2" PIPING FROM COMPRESSOR TO DRIVERS	10/21/11	22546	AEK	GES
L-1	1 B6	REMOVED MAIN DISCONNECT FROM STANDARD PANEL FACE	5/14/12	22752	AEK	GES
M-1	2-ALL	CORRECTED FLEX CONNECTORS ON FLOW	7/24/12	22723	GES	DMS
N-1	1 ALL	ADDED CENTER OF GRAVITY	2/25/14	PXEC0067	AEK	GES
P-1	2 C4-C5	CHANGED HOSES FROM 1/2" TO 3/4"	10/7/15	PXEC0093	AEK	GES



4.86
1-1/2" FNPT
INLET

18.28
1-1/2" FNPT
INLET



3.16
REF

PBMI
CONTROL
PANEL

TOTAL WEIGHT: 2000 LBS
C.O.G. DIMENSIONS
X (FRONT): 34.30"
Y (RIGHT): 16.64"
Z (HEIGHT): 37.55"

denotes center of gravity (CG)

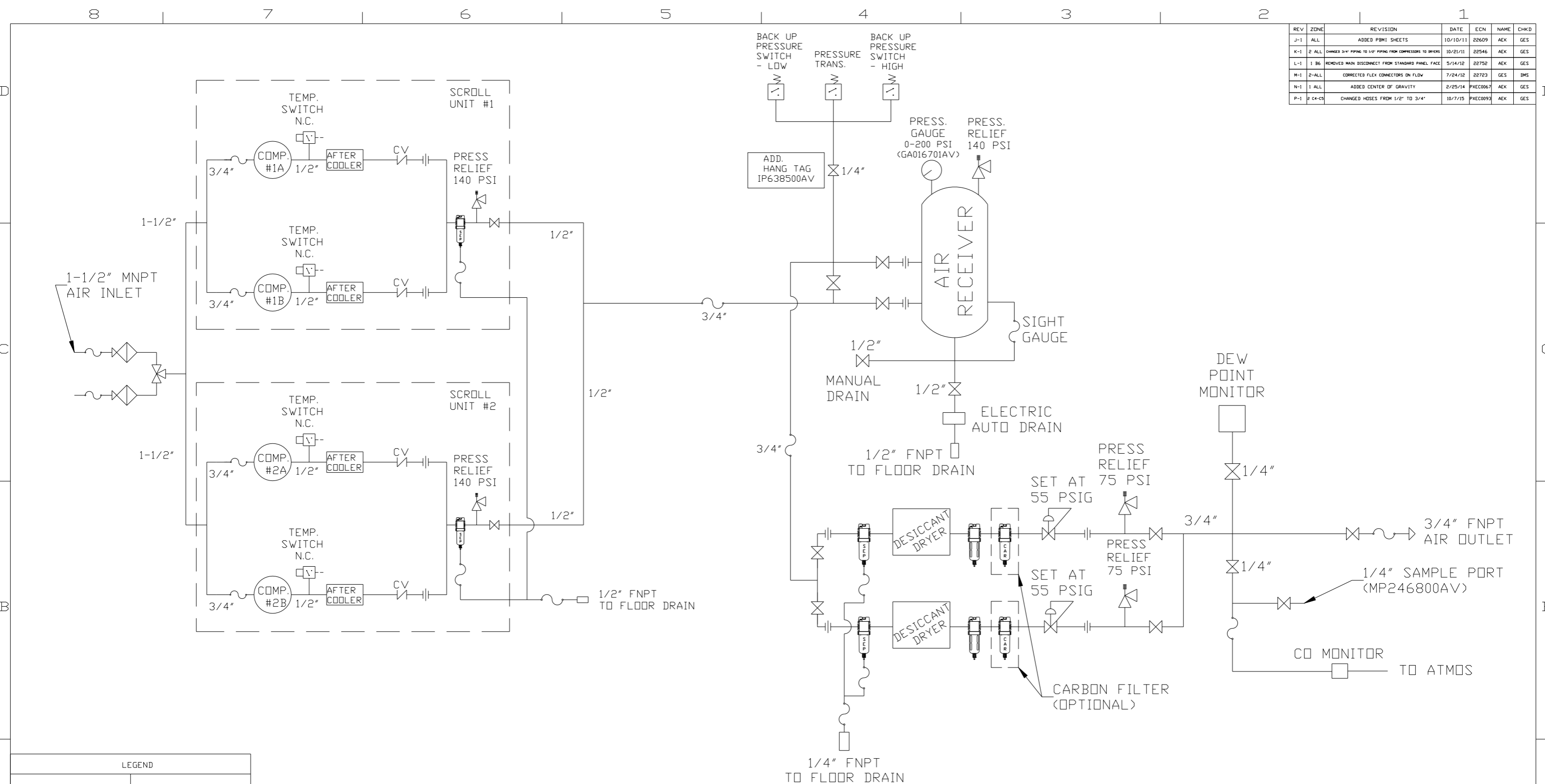
ISOLATION PADS
4" X 4" X 1"(QTY.4)

NOTE: A MINIMUM OF 24" CLEARANCE IS
RECOMMENDED AROUND THE ENTIRE UNIT.

NOTE: SYSTEM DESIGNED IN
COMPLIANCE WITH US NFPA'99,
LATEST EDITION.

SYMBOL LEGEND		= ADDITIONAL CONTROL REQ'D		Drawings to conform to the current revision of the following ANSI standards	
⊖	MINUS DRAFT	⊕	PLUS DRAFT	⊖	BRINELL HARDNESS
TOLERANCES NOT SPECIFIED		AUTOCAD REL2008 LT		DO NOT SCALE DRAWING FOR DIMENSIONS	
.XX ±		INCH		Sheet 1 of 2	SCALE 1:8
CONFIDENTIAL DISCLOSURE This drawing is the property of POWEREX, INC. of the SCOTT FITZGER COMPANY and subject to return on demand. Its contents are confidential and must not be copied or submitted to outside parties for use or examination.					
DRAWN BY	CHECKED BY	APPROVED BY	ENGINEERING MFG/MKTG		
AEK	GES	DMS	RJR	10/10/11	10/10/11
MATERIAL		N/A			
PART NAME		DUPLX OILLESS SCROLL 10HP, 120GAL. BASEMOUNT DUPLX DESICCANT			
DWG NO		MSD1004		SIZE D	

REV	ZONE	REVISION	DATE	ECN	NAME	CHKD
J-1	ALL	ADDED P&ID SHEETS	10/10/11	22609	AEK	GES
K-1	2 ALL	CHANGED 3/4" PIPING TO 1/2" PIPING FROM COMPRESSORS TO DRIVERS	10/21/11	22546	AEK	GES
L-1	1 B6	REMOVED MAIN DISCONNECT FROM STANDARD PANEL FACE	5/14/12	22752	AEK	GES
M-1	2-ALL	CORRECTED FLEX CONNECTORS ON FLOW	7/24/12	22723	GES	DMS
N-1	1 ALL	ADDED CENTER OF GRAVITY	2/25/14	PXEC0067	AEK	GES
P-1	2 C4-C5	CHANGED HOSES FROM 1/2" TO 3/4"	10/7/15	PXEC0093	AEK	GES



LEGEND	
	RELIEF VALVE
	INTAKE FILTER
	AIR FILTER
	3 WAY VALVE
	CARBON FILTER
	BALL VALVE
	PRESSURE SWITCH
	REGULATOR
	SEPARATOR
	CHECK VALVE
	FLEX LINE
	HIGH TEMP SWITCH
	UNION

NOTES:
 1) IF LAG 1 COMPRESSOR IS ENERGIZED ALARM WILL OCCUR.
 2) PIPING TO THE INLET BY OTHERS AND TO BE PER NFPA99 4-3.1.1.9(b)
 3) INSTRUMENTS DOWN STREAM OF SOURCE VALVE TO BE SUPPLIED BY OTHERS.

SYMBOL LEGEND			ADDITIONAL CONTROL REQ'D	Drawings to conform to the current revision of the following ANSI standards: Y14.3 Multi and sectional view dgs. Y14.5M Dimensioning and tolerancing
	MINUS DRAFT		BRINELL HARDNESS	
TOLERANCES NOT SPECIFIED		AUTOCAD REL2008 LT	DO NOT SCALE DRAWING FOR DIMENSIONS	
.XX ±	.XXX ±	<DEG> ±	INCH	Sheet 2 of 2
CONFIDENTIAL DISCLOSURE		This drawing is the property of POWEREX, INC. of the SCOTT FETZER COMPANY and subject to return on demand. Its contents are confidential and must not be copied or submitted to outside parties for use or examination.		
DRAWN BY	CHECKED BY	ENGINEERING	APPROVED BY	MFG/MKTG
AEK	GES	DMS	RJR	
10/10/11	10/10/11	10/10/11	10/10/11	10/10/11
MATERIAL		N/A		
PART NAME		MEDICAL SCROLL DUPLEX PACKAGE FLOW SCHEMATIC		
DWG NO		MSD1004		
SIZE		D		