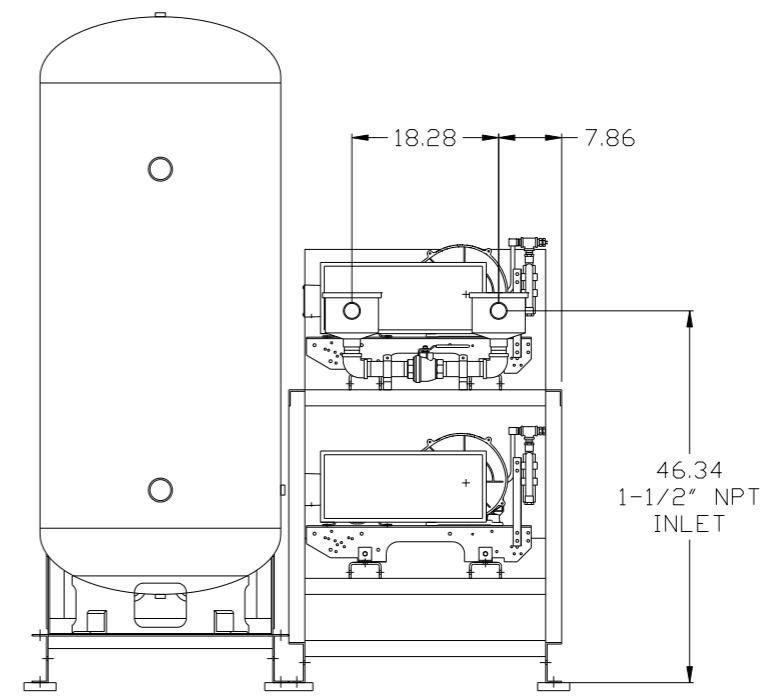
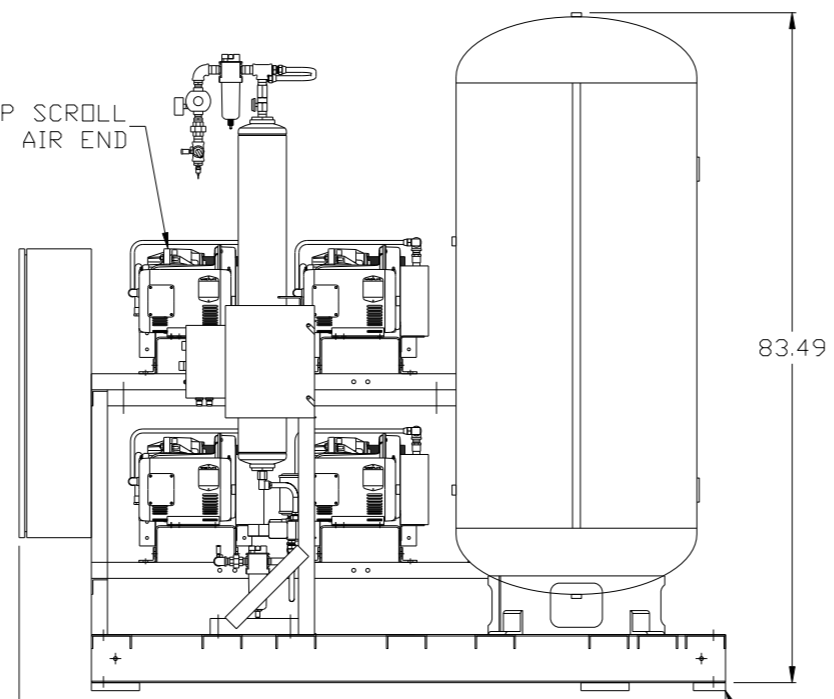
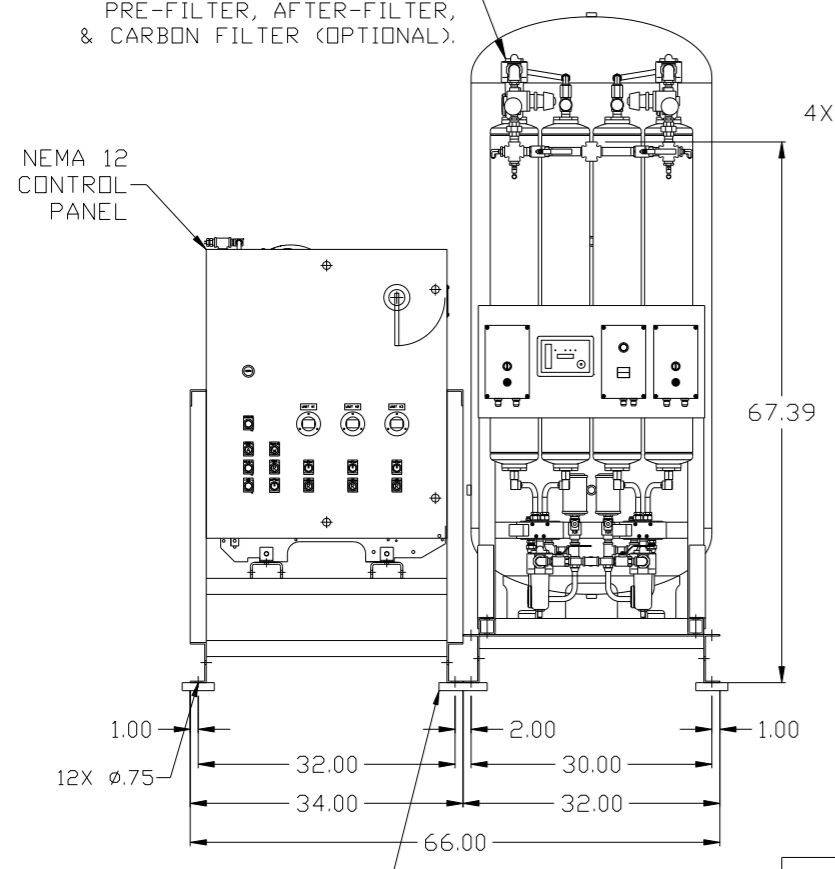


REV	ZONE	REVISION	DATE	ECN	NAME	CHKD
B-1	ALL	RELEASE TO PRODUCTION	8/15/11	22545	AEK	GES

2X DESICCANT DRYERS
W/ DEW POINT MONITOR,
CARBON MONOXIDE MONITOR,
PRE-FILTER, AFTER-FILTER,
& CARBON FILTER (OPTIONAL).

NEMA 12
CONTROL
PANEL

4X 5HP SCROLL
AIR END

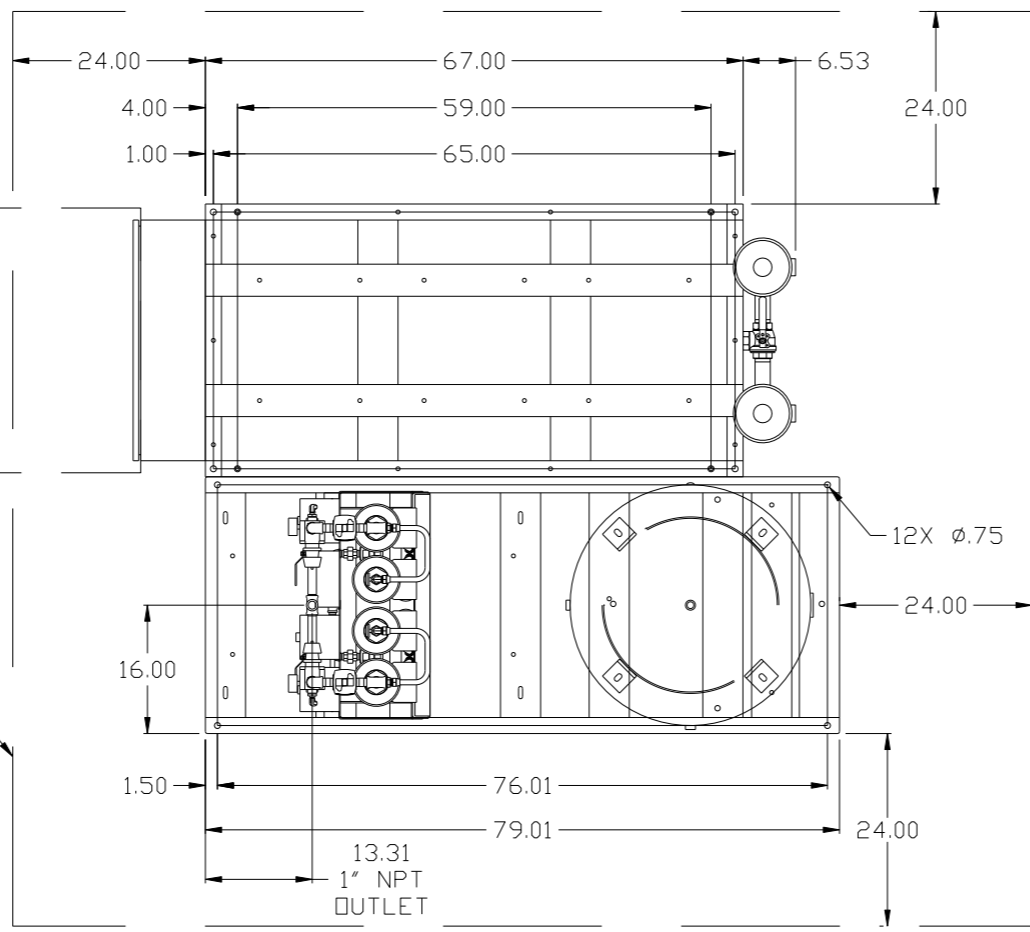


ISOLATION PADS
4" X 4" X 1"(QTY.5)

ISOLATION PADS
6" X 6" X 1"(QTY.2)

MINIMUM RECOMMENDED
ELECTRICAL PANEL
CLEARANCE PER OSHA

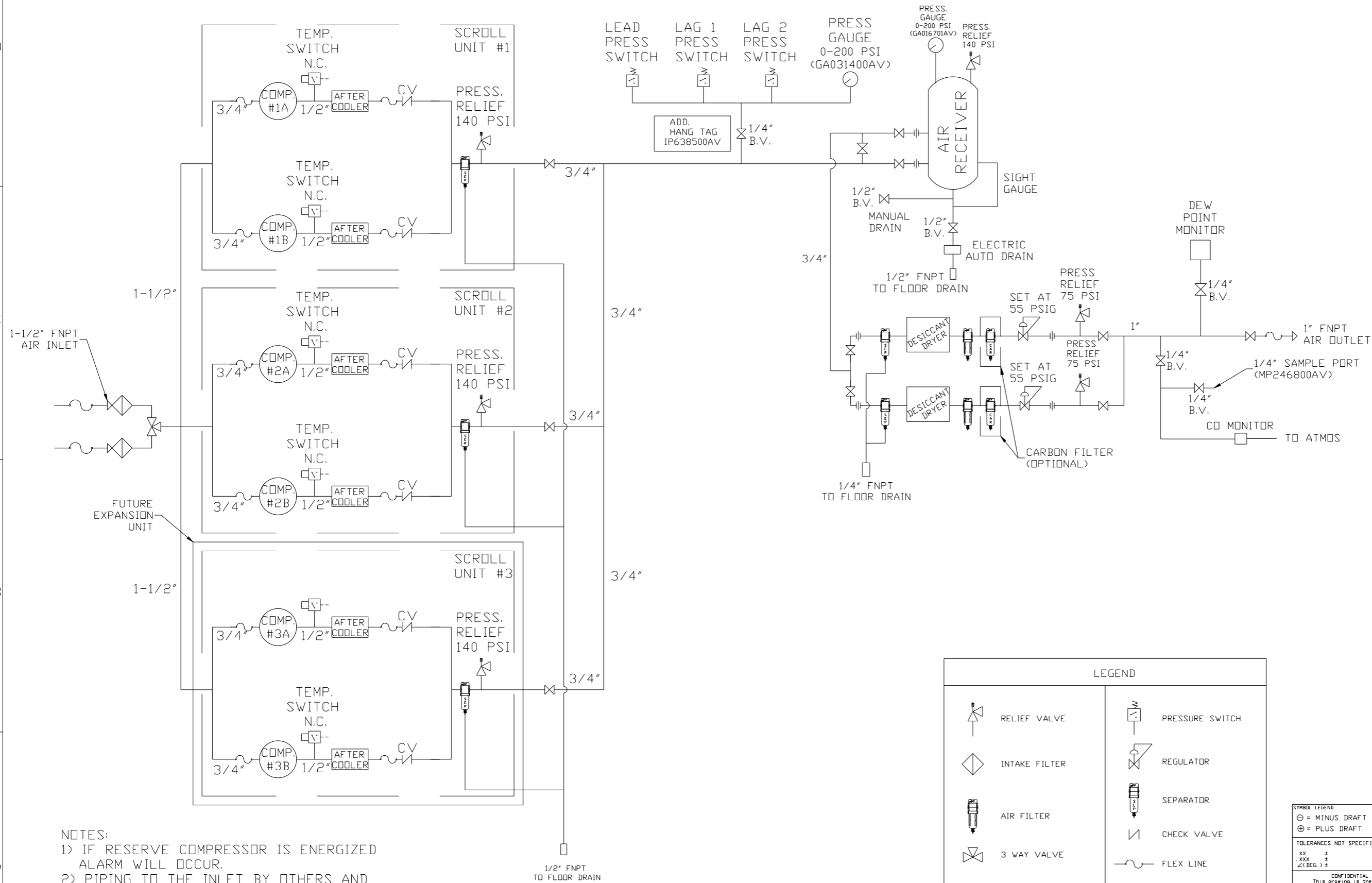
MINIMUM RECOMMENDED
MAINTENANCE
CLEARANCE



NOTE: SYSTEM DESIGNED IN
COMPLIANCE WITH US NFPA'99,
LATEST EDITION.

SYMBOL LEGEND ⊖ = MINUS DRAFT ⊕ = PLUS DRAFT ⊕ = ADDITIONAL CONTROL REQ'D HRC = BRINELL HARDNESS		Drawings to conform to the current revision of the following ANSI standards: Y14.3 Multi and sectional view dgs. Y14.5M Dimensioning and tolerancing	
TOLERANCES NOT SPECIFIED .XX ± .XXX ± \angle (DEG) ±		AUTOCAD REL2008 LT INCH DO NOT SCALE DRAWING FOR DIMENSIONS Sheet 1 of 2 SCALE 1:12	
CONFIDENTIAL DISCLOSURE This drawing is the property of the CAMPBELL GROUP of the SCOTT FETZER COMPANY and subject to return on demand. Its contents are confidential and must not be copied or submitted to outside parties for use or examination.		DRAWN BY: AEK CHECKED BY: GES ENGINEERING: DMS, RJR APPROVED BY: MFG/MKTG 8/15/11 8/15/11 8/15/11 8/15/11	
MATERIAL: N/A		POWEREX 150 PRODUCTION DRIVE, HARRISON, OHIO 45030 Ph: 888-769-7979 FAX: (513) 367-3125	
PART NAME: TRIPLEX SCROLL EXPANDABLE 10HP 200GAL BASEMOUNT DUPLEX DESICCANT		DWG NO: MSD1005-EXP SIZE: D	

NOTE: EXPANSION PUMPS NOT SHOWN ON BUILD SHEET.



LEAD PRESS SWITCH
LAG 1 PRESS SWITCH
LAG 2 PRESS SWITCH
PRESS GAUGE 0-200 PSI (GA031400AV)
PRESS. GAUGE 0-200 PSI (GA016701AV)
PRESS. RELIEF 140 PSI

ADD. HANG TAG IP638500AV

LEGEND	
	RELIEF VALVE
	INTAKE FILTER
	AIR FILTER
	3 WAY VALVE
	CARBON FILTER
	BALL VALVE
	PRESSURE SWITCH
	REGULATOR
	SEPARATOR
	CHECK VALVE
	FLEX LINE
	HIGH TEMP SWITCH
	UNION

- NOTES:
- 1) IF RESERVE COMPRESSOR IS ENERGIZED ALARM WILL OCCUR.
 - 2) PIPING TO THE INLET BY OTHERS AND TO BE PER NFPA99 4-3.1.1.9(k)
 - 3) INSTRUMENTS DOWN STREAM OF SOURCE VALVE TO BE SUPPLIED BY OTHERS.

SYMBOL LEGEND		⊕ = MINUS DRAFT	⊖ = PLUS DRAFT	⊕ = ADDITIONAL CONTROL REQ'D	⊖ = BRINELL HARDNESS	Drawings to conform to the current revision of the following ANSI standards: Y14.3 Multi and sectional view dgs. Y14.5M Dimensioning and tolerancing	
TOLERANCES NOT SPECIFIED	AUTOCAD REL2008	DO NOT SCALE DRAWING FOR DIMENSIONS		SCALE		1:12	
CONFIDENTIAL DISCLOSURE This drawing is the property of the CAMPBELL GROUP OF THE SCOTT FETZER COMPANY and subject to return on demand. Its contents are confidential and must not be copied or submitted to outside parties for use or examination.		DRAWN BY AEK	CHECKED BY GES	APPROVED BY ENGINEERING DMS	MFG/MKTG RJR	8/15/11	8/15/11
MATERIAL N/A		 150 PRODUCTION DRIVE, HARRISON, OHIO 45030 Ph: 888-769-7979 FAX: (513) 367-3125		DWG NO MST1005-EXP		SIZE D	

TRIPLEX SCROLL EXPANDABLE FLOW SCHEMATIC