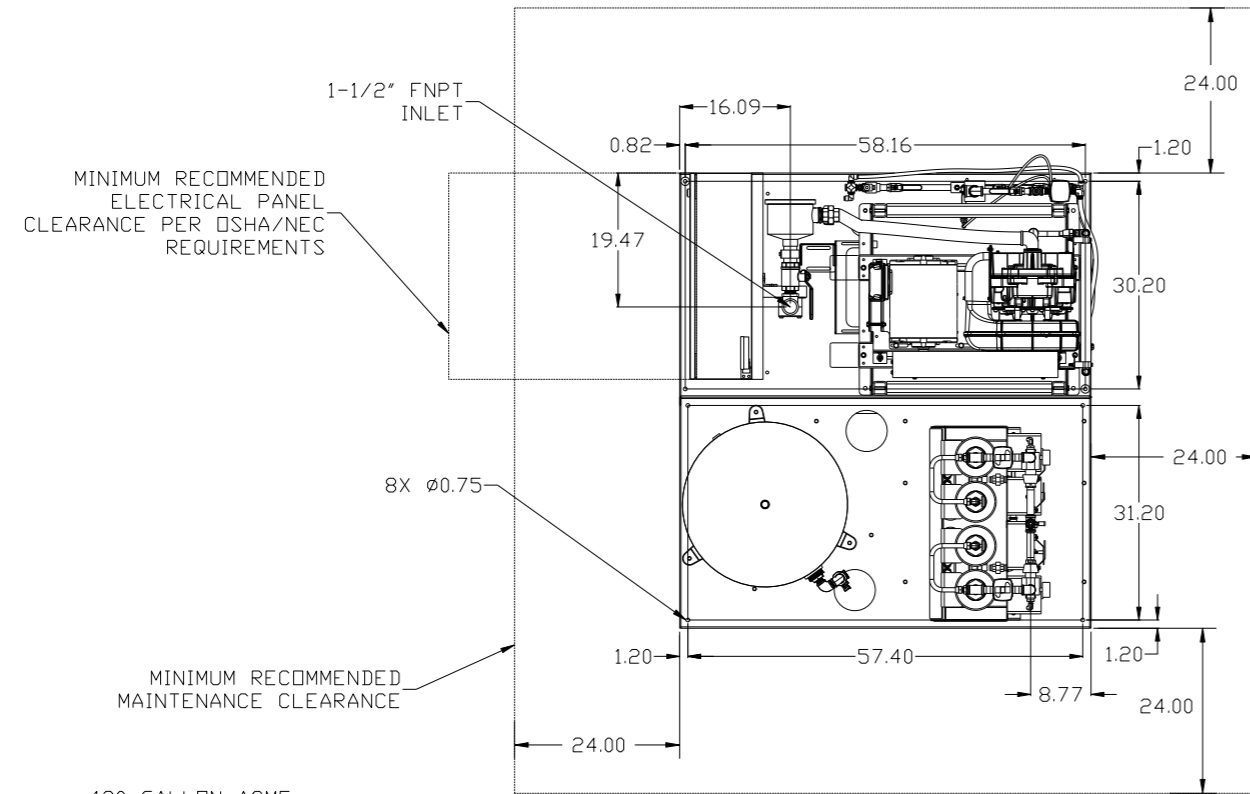
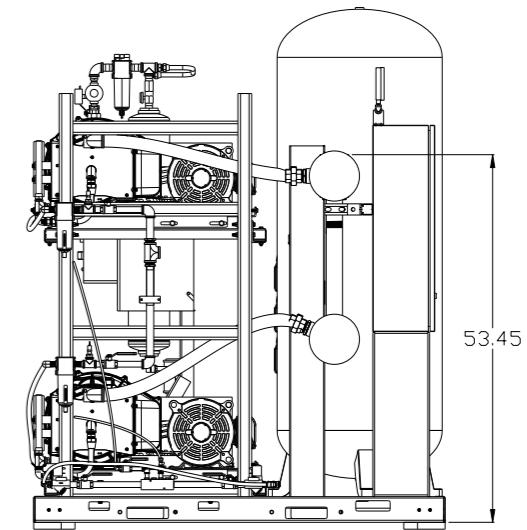
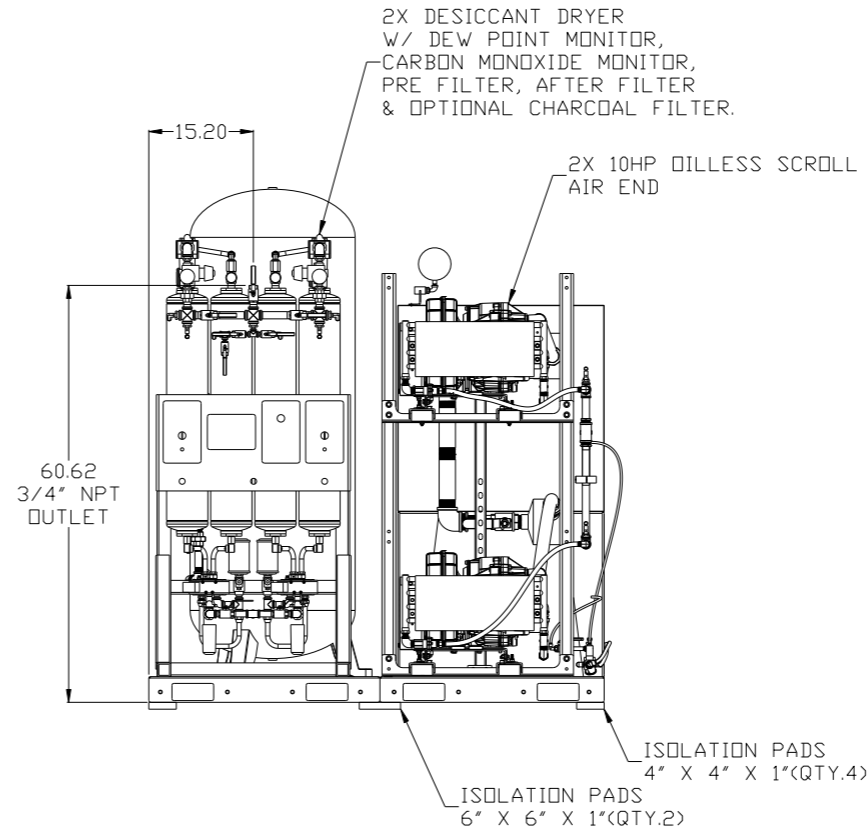
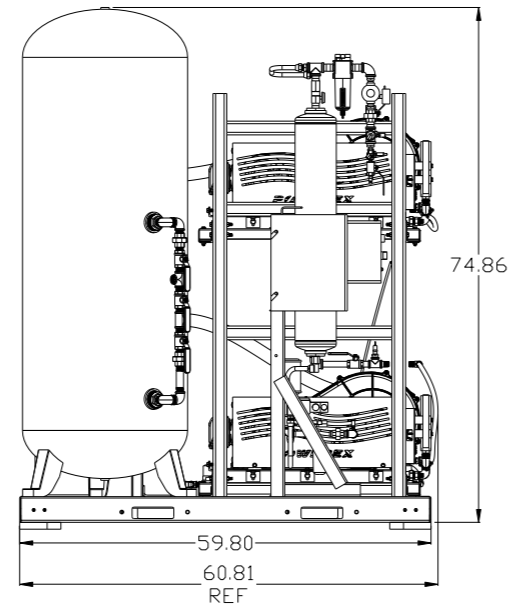
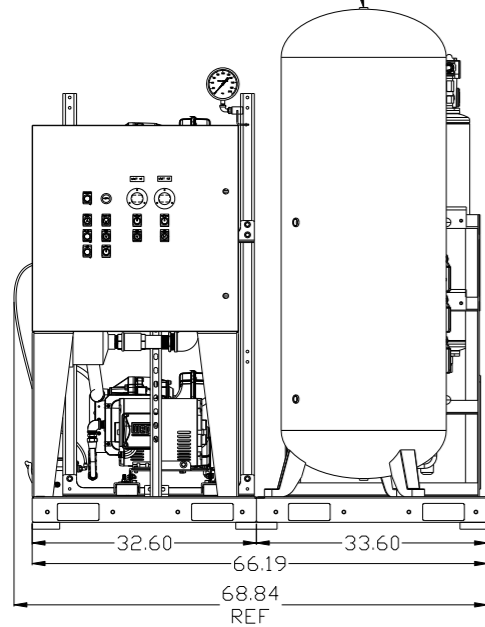


REV	ZONE	REVISION	DATE	ECN	NAME	CHKD
B-1	ALL	RELEASE TO PRODUCTION	01/29/15	PXEC0057	AEK	DMS
C-1	ALL	UPDATED SKID FRAME TO CORRECT WIDTH	2/3/15	PXEC0057	JBE	AEK
D-1	ALL	WAVE 1 REDESIGN (SMALL FOOTPRINT)	2/12/15	PXEC0057	JBE	AEK
E-1	ALL	CORRECTED OUTLET SIZING	7/28/15	PXEC0093	AEK	GES
F-1	ALL	UPDATED TO CURRENT PRODUCTION STANDARD	2/12/16	PXEC0139	AEK	GES
G-1	2 B4 2 C6 1 ALL	CORRECTED DRAIN LINES ADDED NOTE TO REMOVE SEPARATOR FLOATS ADDED OUTLINE FOR RECOMMENDED CLEARANCES UPDATED INLET TREE	01/11/17	PXEC0167	MJD	GES



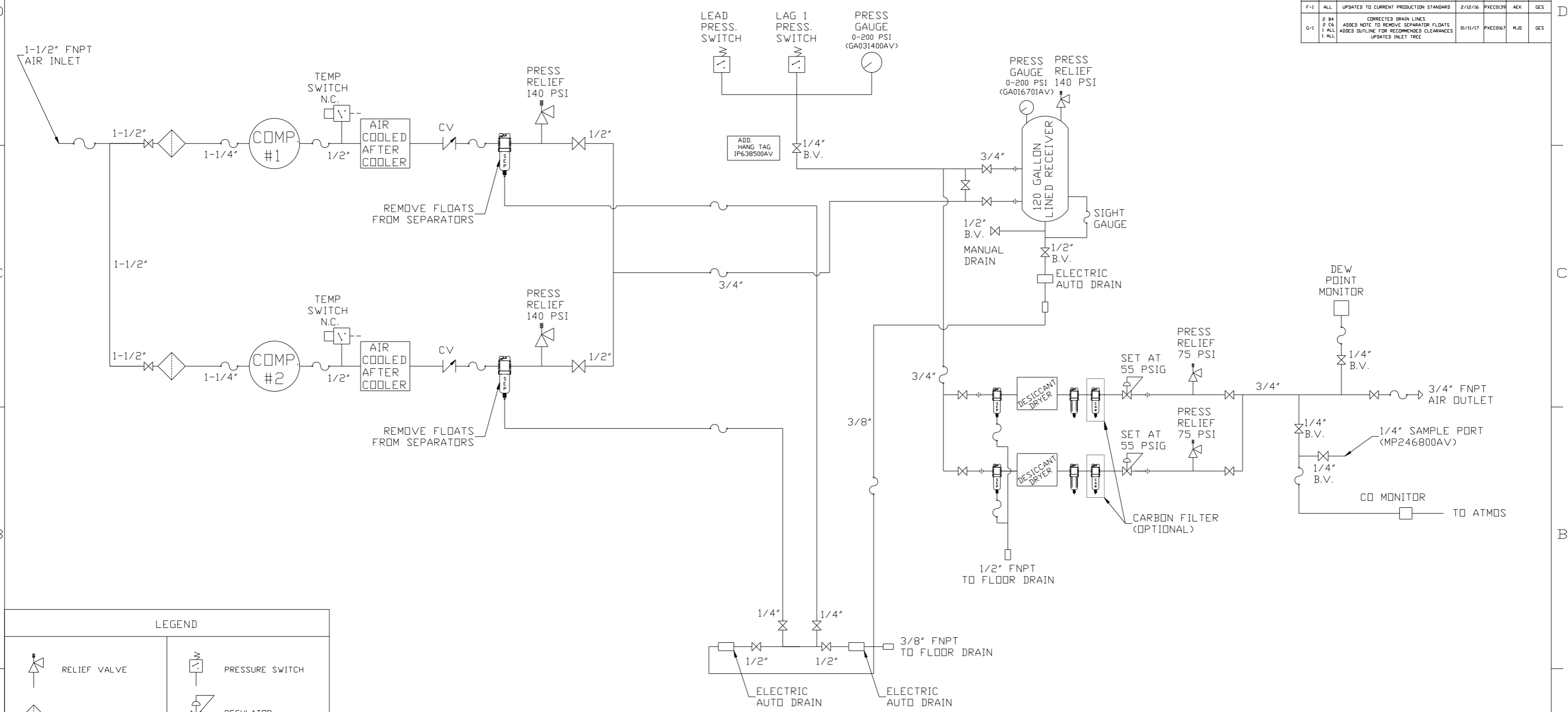
120 GALLON ASME AIR RECEIVER INTERNALLY LINED



NOTE: SYSTEM DESIGNED IN COMPLIANCE WITH US NFPA'99, LATEST EDITION.

<b>SYMBOL LEGEND</b> ⊖ = MINUS DRAFT ⊕ = PLUS DRAFT TOLERANCES NOT SPECIFIED .XX ± .XXX ± << DEG >> ±		= ADDITIONAL CONTROL REQ'D = BRINELL HARDNESS		Drawings to conform to the current revision of the following ANSI standards: Y14.3 Multi and sectional view dgs. Y14.5M Dimensioning and tolerancing
AUTOCAD REL2000 INCH		DO NOT SCALE DRAWING FOR DIMENSIONS Sheet 1 of 2 SCALE 1:14		
<b>CONFIDENTIAL DISCLOSURE</b> This drawing is the property of POWEREX, INC. or the SCOTT FELTZER COMPANY and subject to return on demand. Its contents are confidential and must not be copied or submitted to outside parties for use or examination.				
DRAWN BY JBE	CHECKED BY AEK	APPROVED BY ENGINEERING JA	MFG/MKTG CT	
01/29/15	1/29/15	1/29/15	01/29/15	
MATERIAL N/A		 150 PRODUCTION DRIVE, HARRISON, OHIO 45030 Ph: 888-769-7979 FAX: (513) 367-3125		
PART NAME DUPLEX OILLESS SCROLL 10HP, 120GAL. BASEMOUNT DUPLEX DESICCANT		DWG NO MSD10B4	SIZE D	

REV	ZONE	REVISION	DATE	ECN	NAME	CHKD
B-1	ALL	RELEASE TO PRODUCTION	01/29/15	PXEC0057	AEK	DMS
C-1	ALL	UPDATED SKID FRAME TO CORRECT WIDTH	2/5/15	PXEC0057	JBE	AEK
D-1	ALL	WAVE 1 REDESIGN (SMALL FOOTPRINT)	2/12/15	PXEC0057	JBE	AEK
E-1	ALL	CORRECTED OUTLET SIZING	7/28/15	PXEC0092	AEK	GES
F-1	ALL	UPDATED TO CURRENT PRODUCTION STANDARD	2/12/16	PXEC0139	AEK	GES
G-1	2 B4 2 C6 1 ALL	CORRECTED DRAIN LINES ADDED NOTE TO REMOVE SEPARATOR FLDATS ADDED OUTLINE FOR RECOMMENDED CLEARANCES UPDATED INLET TREE	01/11/17	PXEC0167	MJD	GES



LEGEND	
	RELIEF VALVE
	INTAKE FILTER
	AIR FILTER
	3 WAY VALVE
	CARBON FILTER
	BALL VALVE
	PRESSURE SWITCH
	REGULATOR
	SEPARATOR
	CHECK VALVE
	FLEX LINE
	HIGH TEMP SWITCH
	UNION

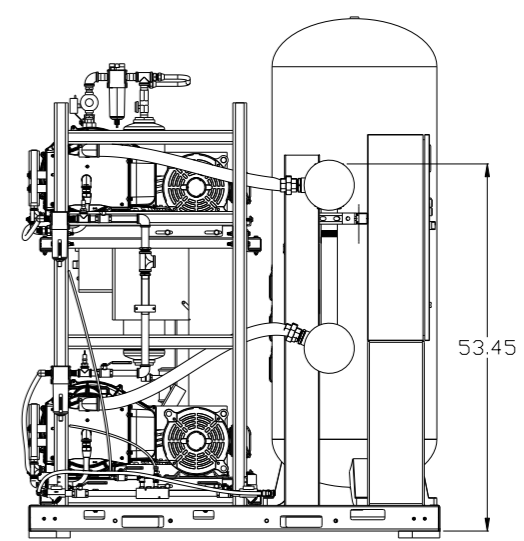
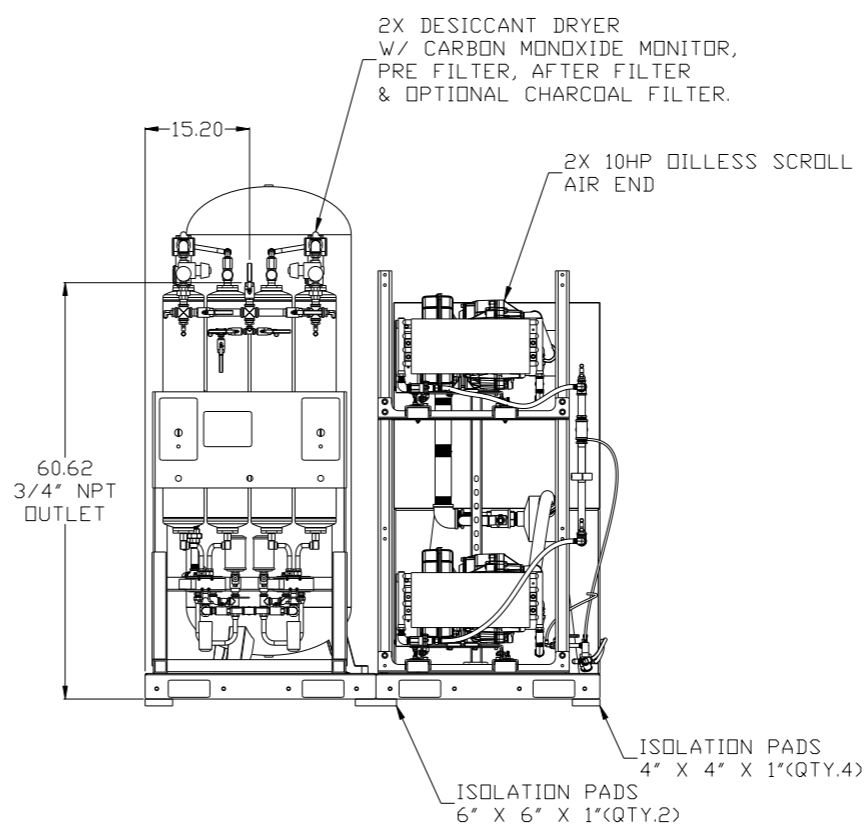
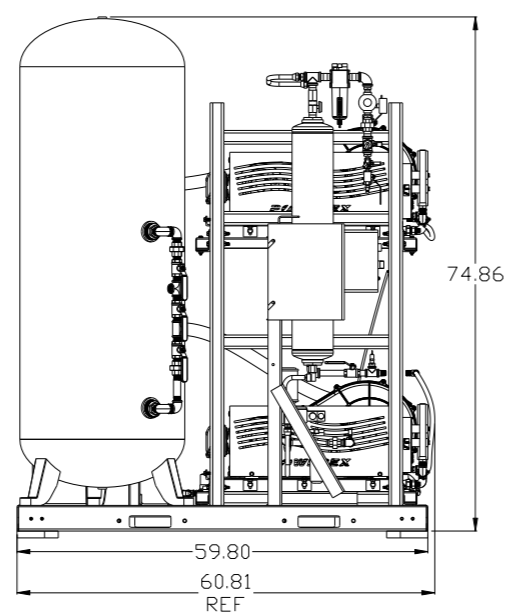
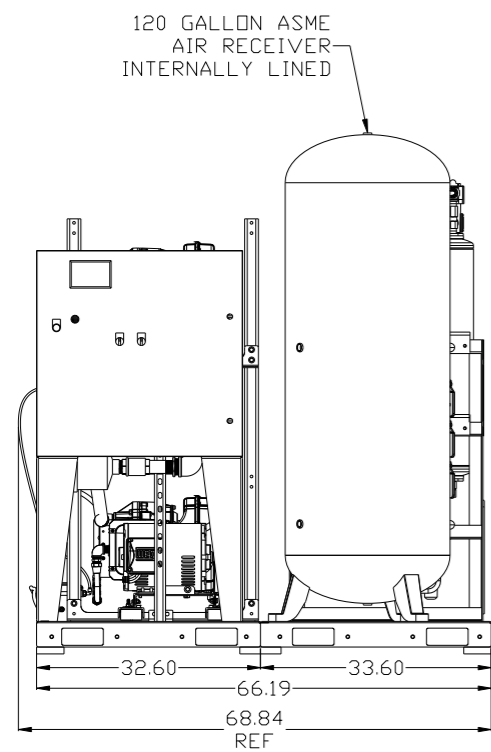
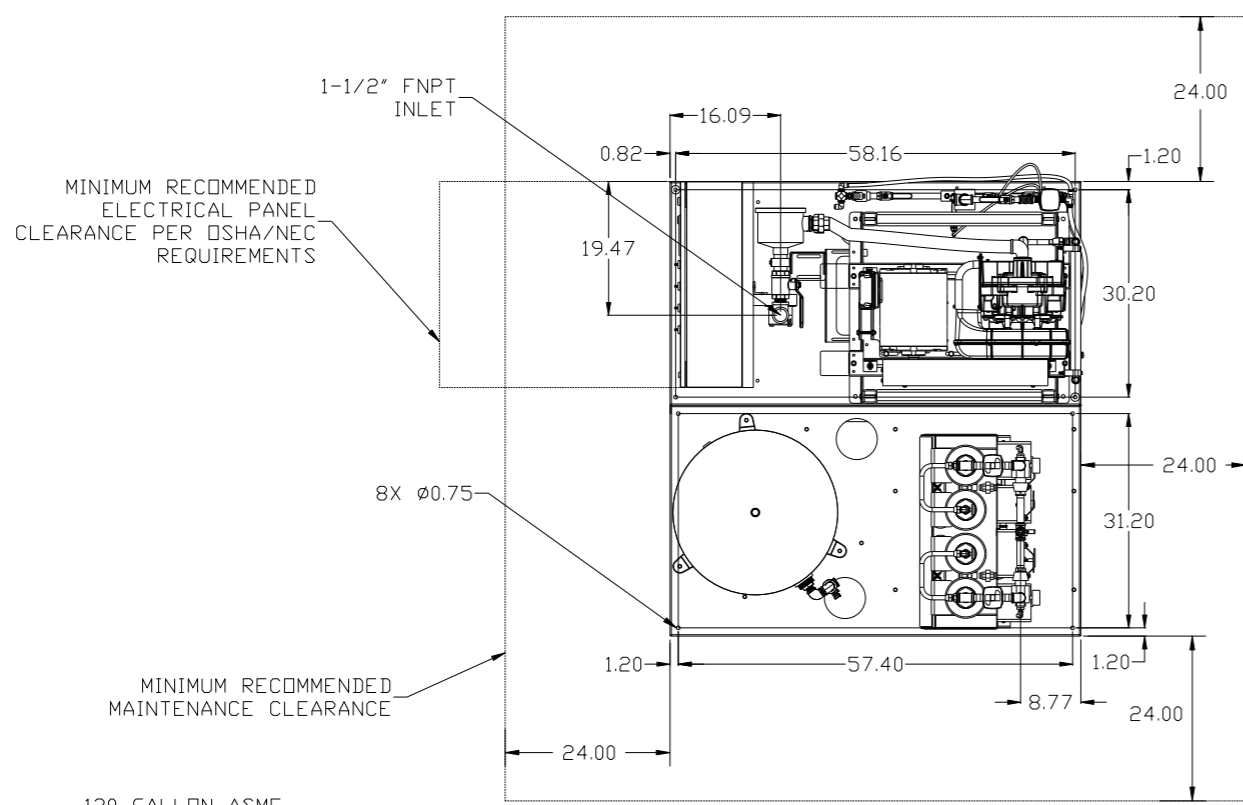
NOTES:  
 1) IF LAG 1 COMPRESSOR IS ENERGIZED ALARM WILL OCCUR.  
 2) PIPING TO THE INLET BY OTHERS AND TO BE PER NFPA99 4-3.1.1.9(b)  
 3) INSTRUMENTS DOWN STREAM OF SOURCE VALVE TO BE SUPPLIED BY OTHERS.

SYMBOL LEGEND		= ADDITIONAL CONTROL REQ'D		Drawings to conform to the current revision of the following ANSI standards	
⊖ = MINUS DRAFT		⊕ = PLUS DRAFT		Y14.3 Multi and sectional view dgs Y14.5M Dimensioning and tolerancing	
TOLERANCES NOT SPECIFIED		AUTOCAD REL2000:		DO NOT SCALE DRAWING FOR DIMENSIONS	
.XX ±		INCH		Sheet 2 of 2	
.XXX ±				SCALE 1:14	
<DEG> ±					
CONFIDENTIAL DISCLOSURE		APPROVED BY		MFG/MRKTG	
This drawing is the property of POWEREX, INC. of the SCOTT FETZER COMPANY and subject to return on demand. Its contents are confidential and must not be copied or submitted to outside parties for use or examination.		DRAWN BY		APPROVED BY	
		JBE		AEK JA CT	
		01/29/15		1/29/15 1/29/15 1/29/15	
MATERIAL		N/A			
PART NAME		10HP SCROLL DUPLEX FLOW SCHEMATIC			
DWG NO		MSD10B4		SIZE D	

8 7 6 5 4 3 2 1

8 7 6 5 4 3 2 1

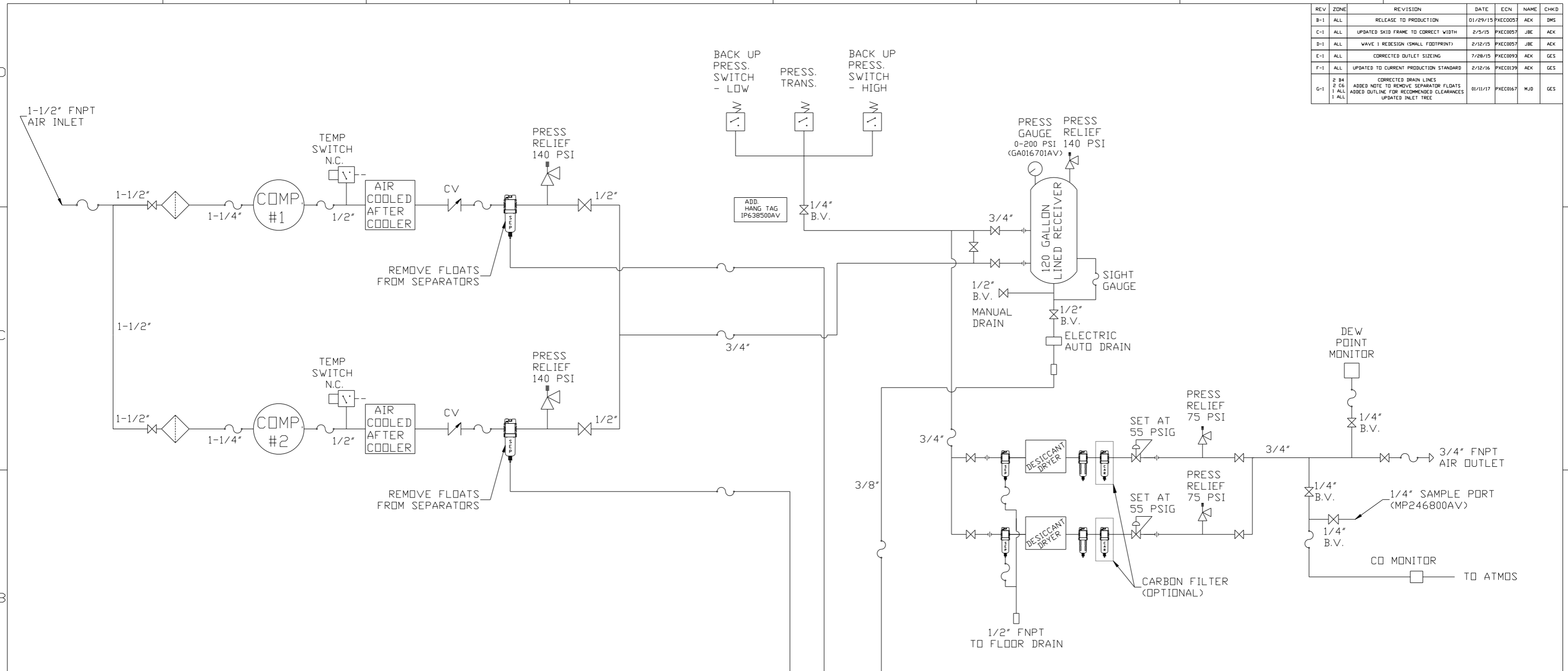
REV	ZONE	REVISION	DATE	ECN	NAME	CHKD
B-1	ALL	RELEASE TO PRODUCTION	01/29/15	PXEC0057	AEK	DMS
C-1	ALL	UPDATED SKID FRAME TO CORRECT WIDTH	2/5/15	PXEC0057	JBE	AEK
D-1	ALL	WAVE 1 REDESIGN (SMALL FOOTPRINT)	2/12/15	PXEC0057	JBE	AEK
E-1	ALL	CORRECTED OUTLET SIZING	7/28/15	PXEC0093	AEK	GES
F-1	ALL	UPDATED TO CURRENT PRODUCTION STANDARD	2/12/16	PXEC0139	AEK	GES
G-1	2 B4 2 C6 1 ALL	CORRECTED DRAIN LINES ADDED NOTE TO REMOVE SEPARATOR FLDATS ADDED OUTLINE FOR RECOMMENDED CLEARANCES UPDATED INLET TREE	01/11/17	PXEC0167	MJD	GES



NOTE: SYSTEM DESIGNED IN COMPLIANCE WITH US NFPA'99, LATEST EDITION.

<b>SYMBOL LEGEND</b> ⊖ = MINUS DRAFT ⊕ = PLUS DRAFT ⊕ = BRINELL HARDNESS		= ADDITIONAL CONTROL REQ'D = BRINELL HARDNESS		Drawings to conform to the current revision of the following ANSI standards: Y14.3 Multi and sectional view dsgs Y14.5M Dimensioning and tolerancing
TOLERANCES NOT SPECIFIED .XX ± .XXX ± <DEG. > ±		AUTOCAD REL2000: INCH		DO NOT SCALE DRAWING FOR DIMENSIONS SCALE 1:14
<b>CONFIDENTIAL DISCLOSURE</b> This drawing is the property of POWEREX, INC. of the SCOTT FELTZER COMPANY and subject to return on demand. Its contents are confidential and must not be copied or submitted to outside parties for use or examination.		DRAWN BY: J	CHECKED BY: AEK	APPROVED BY: JA, CT
MATERIAL: N/A		01/29/15	1/29/15	1/29/15 01/29/15
PART NAME: DUPLEX OILLESS SCROLL 10HP, 120GAL. BASEMOUNT DUPLEX DESICCANT				SIZE: D

REV	ZONE	REVISION	DATE	ECN	NAME	CHKD
B-1	ALL	RELEASE TO PRODUCTION	01/29/15	PXEC0057	AEK	DMS
C-1	ALL	UPDATED SKID FRAME TO CORRECT WIDTH	2/5/15	PXEC0057	JBE	AEK
D-1	ALL	WAVE 1 REDESIGN (SMALL FOOTPRINT)	2/12/15	PXEC0057	JBE	AEK
E-1	ALL	CORRECTED OUTLET SIZING	7/28/15	PXEC0093	AEK	GES
F-1	ALL	UPDATED TO CURRENT PRODUCTION STANDARD	2/12/16	PXEC0139	AEK	GES
G-1	2 B4 2 C6 1 ALL	CORRECTED DRAIN LINES ADDED NOTE TO REMOVE SEPARATOR FLOATS ADDED OUTLINE FOR RECOMMENDED CLEARANCES UPDATED INLET TREE	01/11/17	PXEC0167	MJD	GES



LEGEND	
	RELIEF VALVE
	INTAKE FILTER
	AIR FILTER
	3 WAY VALVE
	CARBON FILTER
	BALL VALVE
	PRESSURE SWITCH
	REGULATOR
	SEPARATOR
	CHECK VALVE
	FLEX LINE
	HIGH TEMP SWITCH
	UNION

NOTES:  
 1) IF LAG 1 COMPRESSOR IS ENERGIZED ALARM WILL OCCUR.  
 2) PIPING TO THE INLET BY OTHERS AND TO BE PER NFPA99 4-3.1.1.9(b)  
 3) INSTRUMENTS DOWN STREAM OF SOURCE VALVE TO BE SUPPLIED BY OTHERS.

SYMBOL LEGEND		= ADDITIONAL CONTROL REQ'D		Drawings to conform to the current revision of the following ANSI standards.	
⊖	MINUS DRAFT	⊕	PLUS DRAFT	⊕	BRINELL HARDNESS
TOLERANCES NOT SPECIFIED		AUTOCAD REL2000:		DO NOT SCALE DRAWING FOR DIMENSIONS	
.XX ±	.XXX ±	INCH		Sheet 2 of 2	SCALE 1:14
CONFIDENTIAL DISCLOSURE		DRAWN BY		CHECKED BY	
This drawing is the property of POWEREX, INC. of the SCOTT FETZER COMPANY and subject to return on demand. Its contents are confidential and must not be copied or submitted to outside parties for use or examination.		JBE		AEK	
MATERIAL		1/29/15		1/29/15	
PART NAME		1/29/15		1/29/15	
10HP SCROLL DUPLEX FLOW SCHEMATIC		POWEREX		MFG/MKTG	
DWG NO		MSD10B4		CT	
SIZE		D			

8 7 6 5 4 3 2 1

8 7 6 5 4 3 2 1

MSD10B4.dwg