

REV	ZONE	REVISION	DATE	ECN	NAME	CHKD
B-1	ALL	RELEASE TO PRODUCTION	8/12/11	22545	AEK	GES
C-1	2 D4 2 ALL 1 B7 ALL	MOVED PRESSURE SENSING LOCATION UPDATED/ADDED FLEX LINES CORRECTED BASIC CONTRL PANEL FACE ADDED P&MI SHEETS	12/16/15	PXEC0093	AEK	GES

MINIMUM RECOMMENDED ELECTRICAL PANEL CLEARANCE PER OSHA/NEC REQUIREMENTS

MINIMUM RECOMMENDED MAINTENANCE CLEARANCE

2X DESICCANT DRYERS W/ DEW POINT MONITOR, CARBON MONOXIDE MONITOR, PRE-FILTER, AFTER-FILTER, & CARBON FILTER (OPTIONAL).

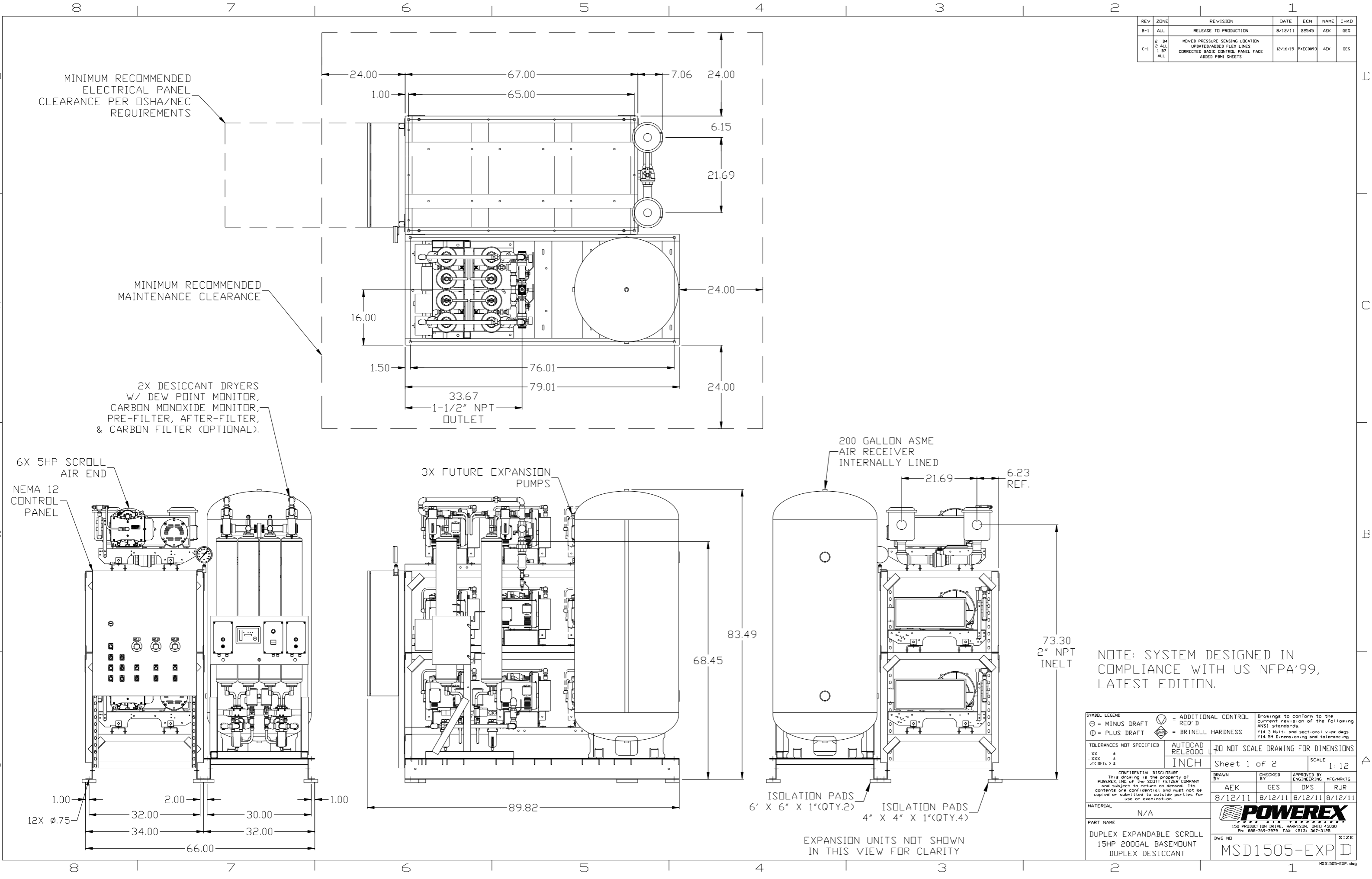
6X 5HP SCROLL AIR END
NEMA 12 CONTROL PANEL

3X FUTURE EXPANSION PUMPS

200 GALLON ASME AIR RECEIVER INTERNALLY LINED

NOTE: SYSTEM DESIGNED IN COMPLIANCE WITH US NFPA '99, LATEST EDITION.

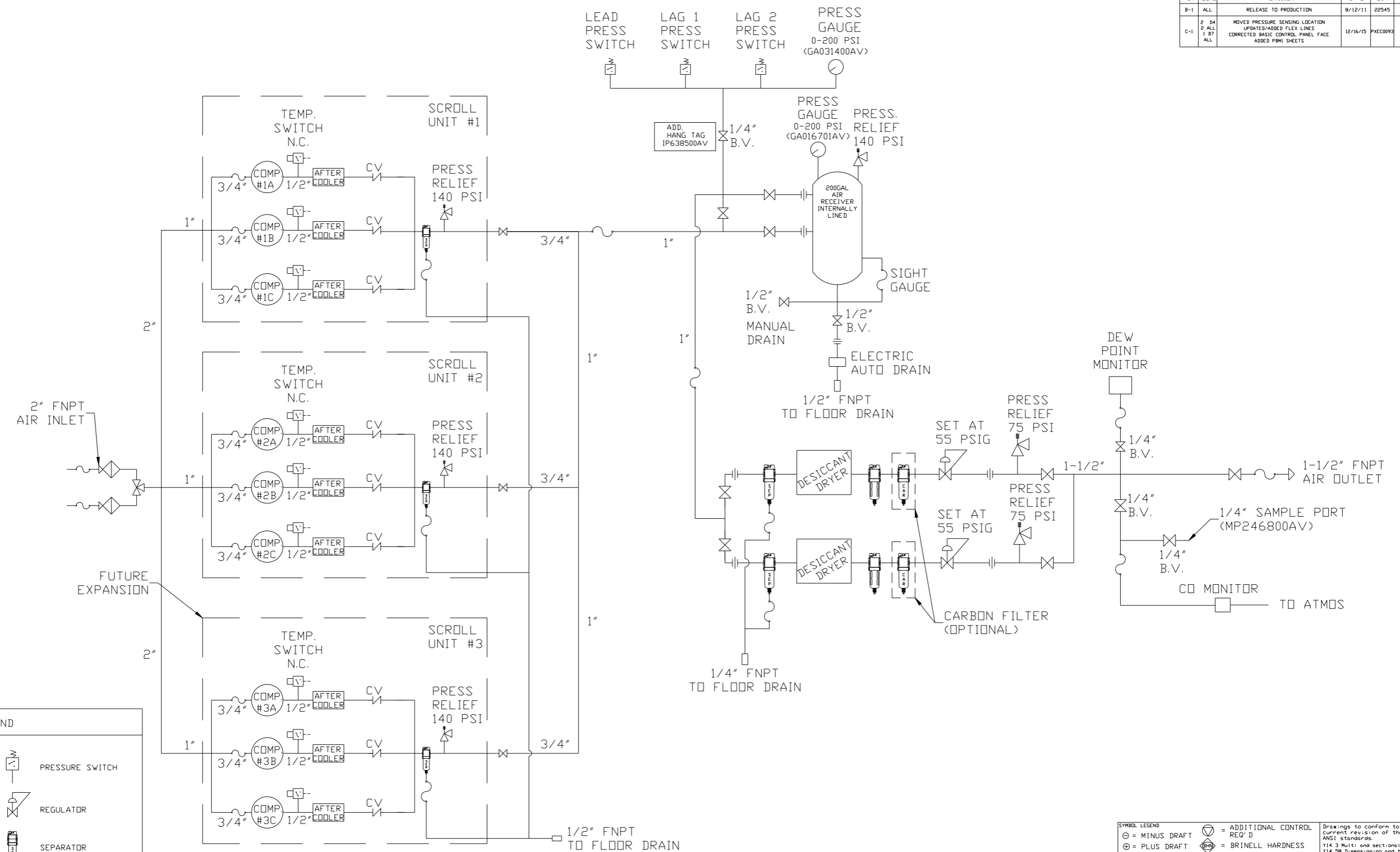
SYMBOL LEGEND		= ADDITIONAL CONTROL REQ'D		Drawings to conform to the current revision of the following ANSI standards:	
⊖	MINUS DRAFT	⊕	PLUS DRAFT	⊖	BRINELL HARDNESS
TOLERANCES NOT SPECIFIED		AUTOCAD REL2000		DO NOT SCALE DRAWING FOR DIMENSIONS	
.XX ±		INCH		Sheet 1 of 2	
.XXX ±				SCALE 1:12	
<< DEG >> ±					
CONFIDENTIAL DISCLOSURE This drawing is the property of POWEREX, INC. of the SCOTT FELTZER COMPANY and subject to return on demand. Its contents are confidential and must not be copied or submitted to outside parties for use or examination.					
DRAWN BY		CHECKED BY	APPROVED BY		DATE
AEK		GES	DMS		RJR
8/12/11		8/12/11	8/12/11		8/12/11
MATERIAL		N/A			
PART NAME		DUPLX EXPANDABLE SCROLL 15HP 200GAL BASEMOUNT DUPLEX DESICCANT			
DWG NO		MSD1505-EXP.D		SIZE	



ISOLATION PADS 6' X 6" X 1"(QTY.2)
ISOLATION PADS 4" X 4" X 1"(QTY.4)

EXPANSION UNITS NOT SHOWN IN THIS VIEW FOR CLARITY

REV	ZONE	REVISION	DATE	ECN	NAME	CHKD
B-1	ALL	RELEASE TO PRODUCTION	8/12/11	22545	AEK	GES
C-1	2 D4 2 ALL 1 B7 ALL	MOVED PRESSURE SENSING LOCATION UPDATED/ADDED FLEX LINES CORRECTED BASIC CONTROL PANEL FACE ADDED P&MI SHEETS	12/16/15	PXEC0093	AEK	GES



LEGEND

	RELIEF VALVE		PRESSURE SWITCH
	INTAKE FILTER		REGULATOR
	AIR FILTER		SEPARATOR
	3 WAY VALVE		CHECK VALVE
	CARBON FILTER		FLEX LINE
	BALL VALVE		HIGH TEMP SWITCH
			UNION

- NOTES:
- 1) IF RESERVE COMPRESSOR IS ENERGIZED ALARM WILL OCCUR.
 - 2) PIPING TO THE INLET BY OTHERS AND TO BE PER NFPA99 4-3.1.1.9(b)
 - 3) INSTRUMENTS DOWN STREAM OF SOURCE VALVE TO BE SUPPLIED BY OTHERS.

SYMBOL LEGEND			ADDITIONAL CONTROL REQ'D	Drawings to conform to the current revision of the following ANSI standards:	
	MINUS DRAFT		BRINELL HARDNESS	Y14.3 Multi and sectional view dsgs. Y14.5M Dimensioning and tolerancing	
TOLERANCES NOT SPECIFIED		AUTOCAD REL2000 LT	DO NOT SCALE DRAWING FOR DIMENSIONS		
.XX ±		INCH	Sheet 2 of 2	SCALE 1:12	
.XXX ±					
<<DEG> ±					
CONFIDENTIAL DISCLOSURE This drawing is the property of POWEREX, INC. of the SCOTT FEITZER COMPANY and subject to return on demand. Its contents are confidential and must not be copied or submitted to outside parties for use or examination.					
DRAWN BY		CHECKED BY	ENGINEERING	APPROVED BY MFG/MKTG	
AEK		GES	DMS	RJR	
8/12/11		8/12/11	8/12/11	8/12/11	
MATERIAL N/A					
PART NAME			SIZE		
DUPLEX EXPANDABLE SCROLL PACKAGE FLOW SCHEMATIC			MSD1505-EXP D		

REV	ZONE	REVISION	DATE	ECN	NAME	CHKD
2	04	Moved Pressure Sensing Location				
2	ALL	Updated/Added Flex Lines				
1	07	Corrected Basic Control Panel Face	12/16/15	PXEC0093	AEK	GES
C-1	ALL	Added P&MI Sheets				

MINIMUM RECOMMENDED ELECTRICAL PANEL CLEARANCE PER OSHA/NEC REQUIREMENTS

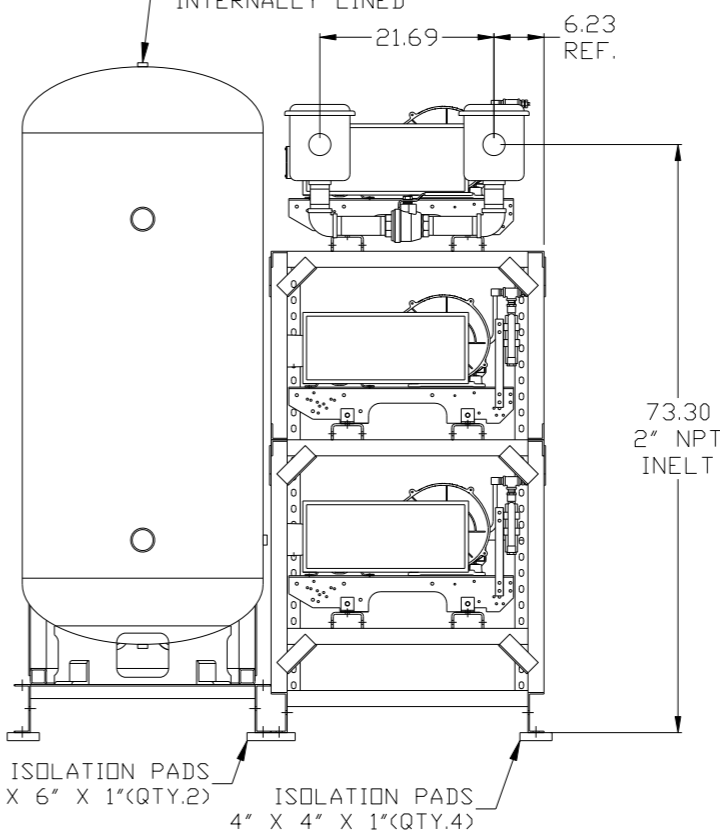
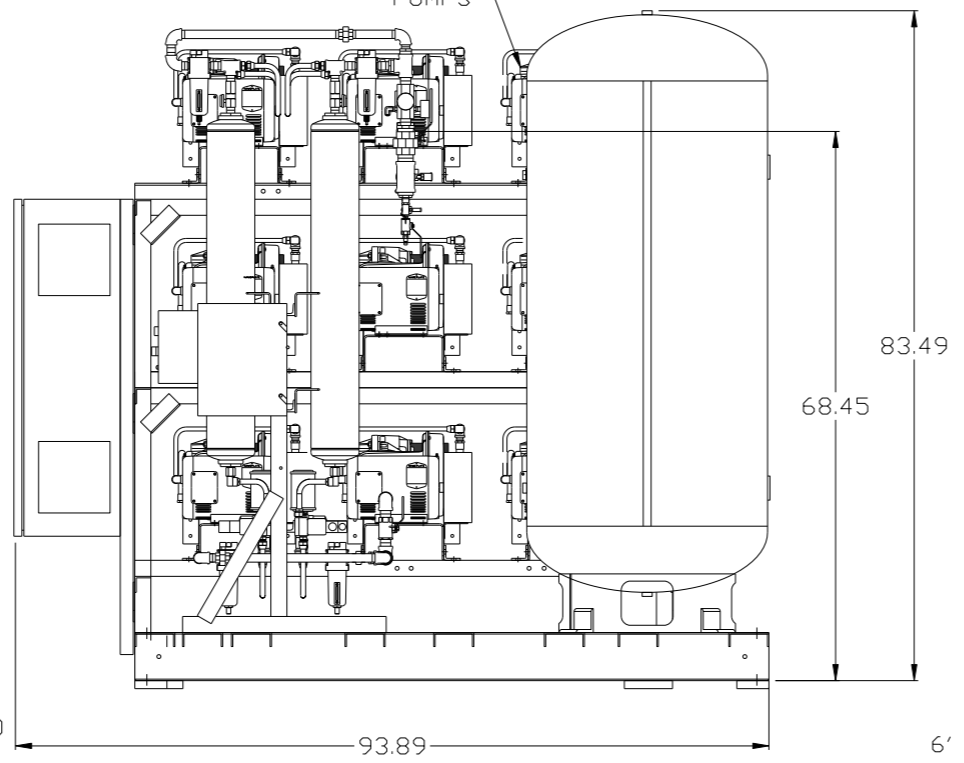
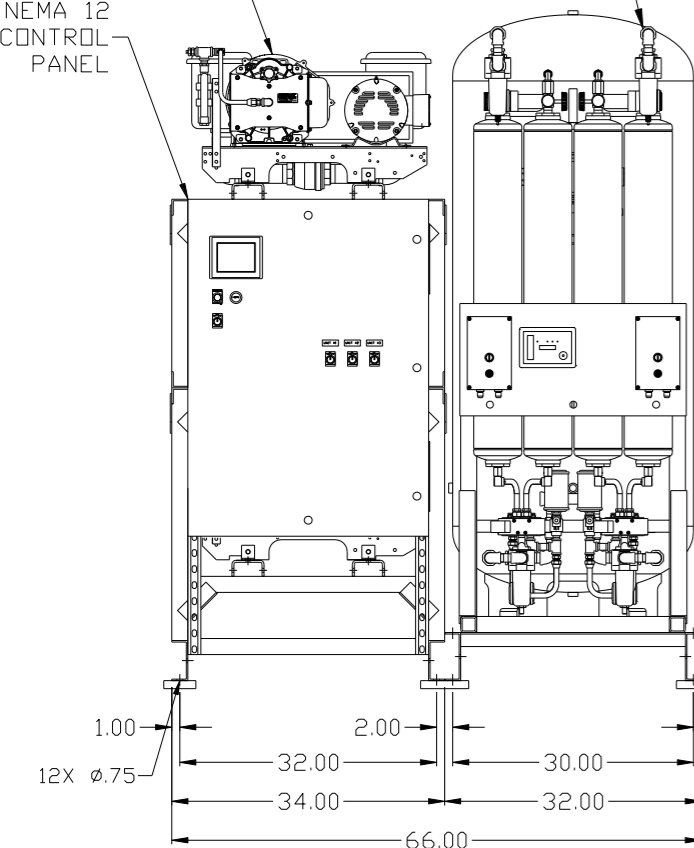
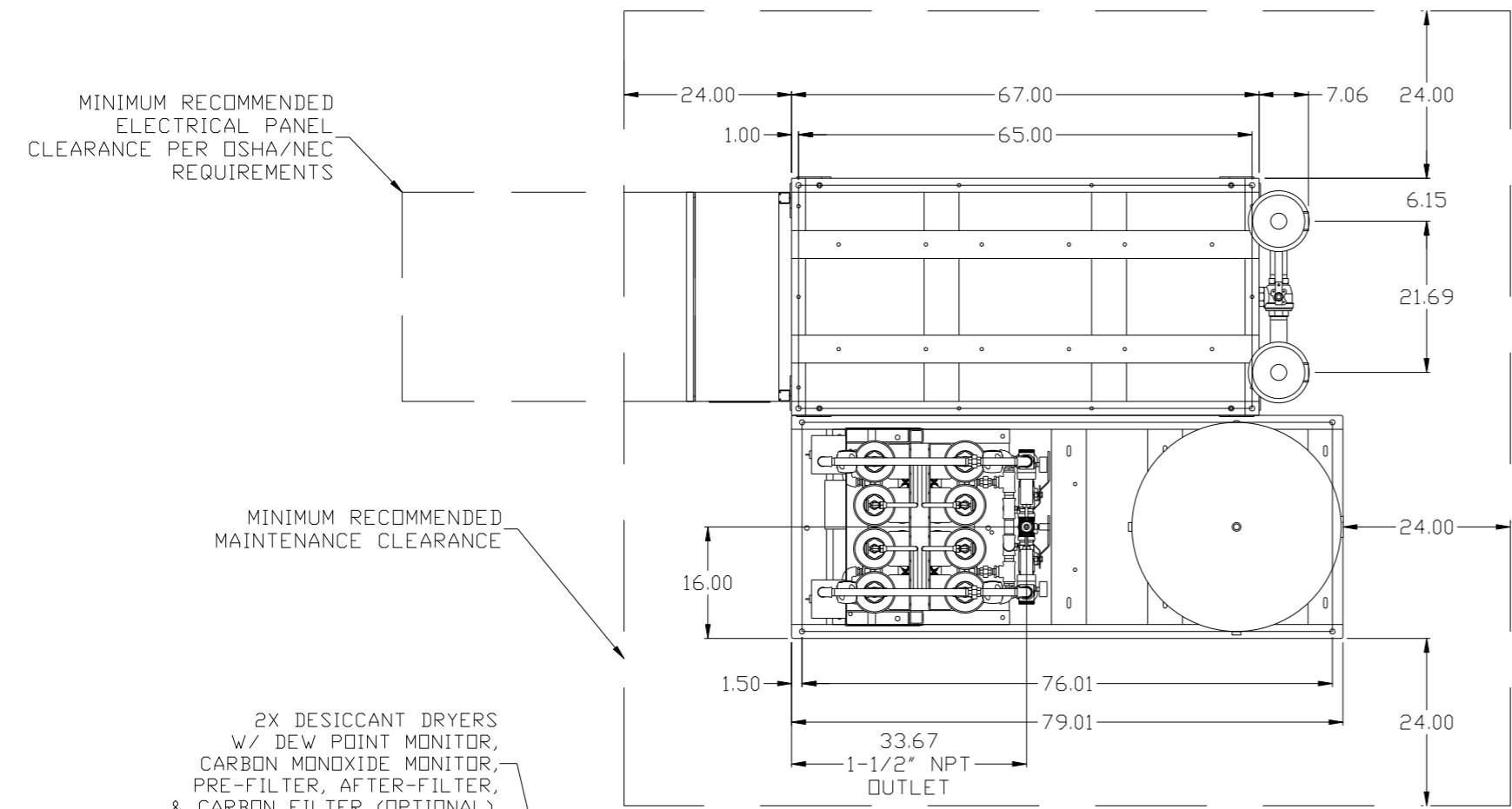
MINIMUM RECOMMENDED MAINTENANCE CLEARANCE

2X DESICCANT DRYERS W/ DEW POINT MONITOR, CARBON MONOXIDE MONITOR, PRE-FILTER, AFTER-FILTER, & CARBON FILTER (OPTIONAL).

6X 5HP SCROLL AIR END
NEMA 12 CONTROL PANEL

3X FUTURE EXPANSION PUMPS

200 GALLON ASME AIR RECEIVER INTERNALLY LINED

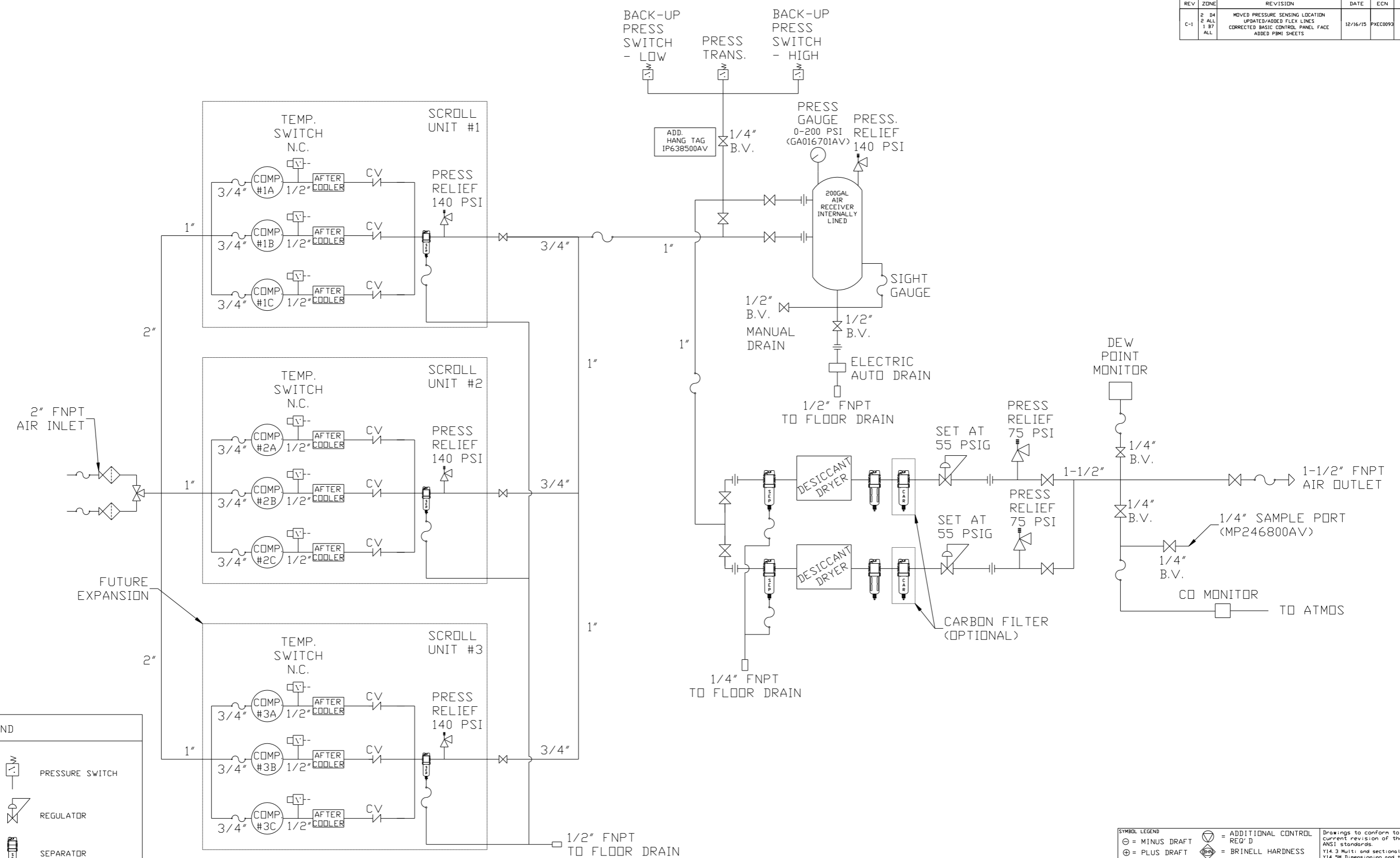


ISOLATION PADS 6' X 6" X 1"(QTY.2)
ISOLATION PADS 4" X 4" X 1"(QTY.4)

EXPANSION UNITS NOT SHOWN IN THIS VIEW FOR CLARITY

SYMBOL LEGEND ⊖ = MINUS DRAFT ⊕ = PLUS DRAFT Ⓢ = ADDITIONAL CONTROL REQ'D ⓈH = BRINELL HARDNESS		Drawings to conform to the current revision of the following ANSI standards: Y14.3 Multi and sectional view dgs. Y14.5M Dimensioning and tolerancing	
TOLERANCES NOT SPECIFIED .XX ± .XXX ± \angle (DEG) ±		DO NOT SCALE DRAWING FOR DIMENSIONS Sheet 1 of 2 SCALE 1:12	
CONFIDENTIAL DISCLOSURE This drawing is the property of POWEREX, INC. of the SCOTT FELTZER COMPANY and subject to return on demand. Its contents are confidential and must not be copied or submitted to outside parties for use or examination.		DRAWN BY: AEK CHECKED BY: GES APPROVED BY: KMD, RJR 12/16/15 12/16/15 12/16/15 12/16/15	
MATERIAL: N/A		POWEREX 150 PRODUCTION DRIVE, HARRISON, OHIO 45030 Ph: 888-769-7979 FAX: (513) 367-3125	
PART NAME: DUPLEX EXPANDABLE SCROLL 15HP 200GAL BASEMOUNT DUPLEX DESICCANT		DWG NO: MSD1505-EXP.D SIZE:	

REV	ZONE	REVISION	DATE	ECN	NAME	CHKD
2	04	MOVED PRESSURE SENSING LOCATION				
1	07	UPDATED/ADDED FLEX LINES				
1	07	CORRECTED BASIC CONTROL PANEL FACE	12/16/15	PXEC0093	AEK	GES
		ADDED P&ID SHEETS				



LEGEND

	RELIEF VALVE		PRESSURE SWITCH
	INTAKE FILTER		REGULATOR
	AIR FILTER		SEPARATOR
	3 WAY VALVE		CHECK VALVE
	CARBON FILTER		FLEX LINE
	BALL VALVE		HIGH TEMP SWITCH
			UNION

- NOTES:
- 1) IF RESERVE COMPRESSOR IS ENERGIZED ALARM WILL OCCUR.
 - 2) PIPING TO THE INLET BY OTHERS AND TO BE PER NFPA99 4-3.1.1.9(b)
 - 3) INSTRUMENTS DOWN STREAM OF SOURCE VALVE TO BE SUPPLIED BY OTHERS.

SYMBOL LEGEND			ADDITIONAL CONTROL REQ'D	Drawings to conform to the current revision of the following ANSI standards:	
	MINUS DRAFT		BRINELL HARDNESS	Y14.3 Multi and sectional view dsgs. Y14.5M Dimensioning and tolerancing	
TOLERANCES NOT SPECIFIED		AUTOCAD REL2014 LT	DO NOT SCALE DRAWING FOR DIMENSIONS		
.XX ±		INCH	Sheet 2 of 2	SCALE	1:12
.XXX ±					
<<DEG>> ±					
CONFIDENTIAL DISCLOSURE This drawing is the property of POWEREX, INC. of the SCOTT FEITZER COMPANY and subject to return on demand. Its contents are confidential and must not be copied or submitted to outside parties for use or examination.					
DRAWN BY		CHECKED BY	ENGINEERING	MFG/MKTG	
AEK		GES	KMD	RJR	
12/16/15		12/16/15	12/16/15	12/16/15	
MATERIAL		N/A			
PART NAME		DUPLEX EXPANDABLE SCROLL PACKAGE FLOW SCHEMATIC		SIZE	
				MSD1505-EXP.D	