

REV	ZONE	REVISION	DATE	ECN	NAME	CHKD
B-1	ALL	RELEASE TO PRODUCTION	2/23/15	PXEC005	AEK	DMS
C-1	ALL	CORRECTED SEPARATOR DRAIN LINES TO 1/4"				
	2	ADDED NOTE TO REMOVE SEPARATOR FLDAT				
	1	CORRECTED VIEW POSITIONING				
	1	ADDED OVERALL DIMENSIONS	01/11/17	PXEC0167	MJD	GES
	1	ADDED OUTLINE FOR RECOMMENDED CLEARANCES				
	1	UPDATED INLET TREE				

MINIMUM RECOMMENDED ELECTRICAL PANEL CLEARANCE PER OSHA/NEC REQUIREMENTS

MINIMUM RECOMMENDED MAINTENANCE CLEARANCE

2X DESICCANT DRYER W/ DEW POINT MONITOR, CARBON MONOXIDE MONITOR, PRE FILTER, AFTER FILTER & OPTIONAL CHARCOAL FILTER.

120 GALLON ASME AIR RECEIVER INTERNALLY LINED

2X 20HP OILLESS SCROLL AIR END

ISOLATION PADS 4" X 4" X 1"(QTY.4)


ISOLATION PADS 6" X 6" X 1"(QTY.2)

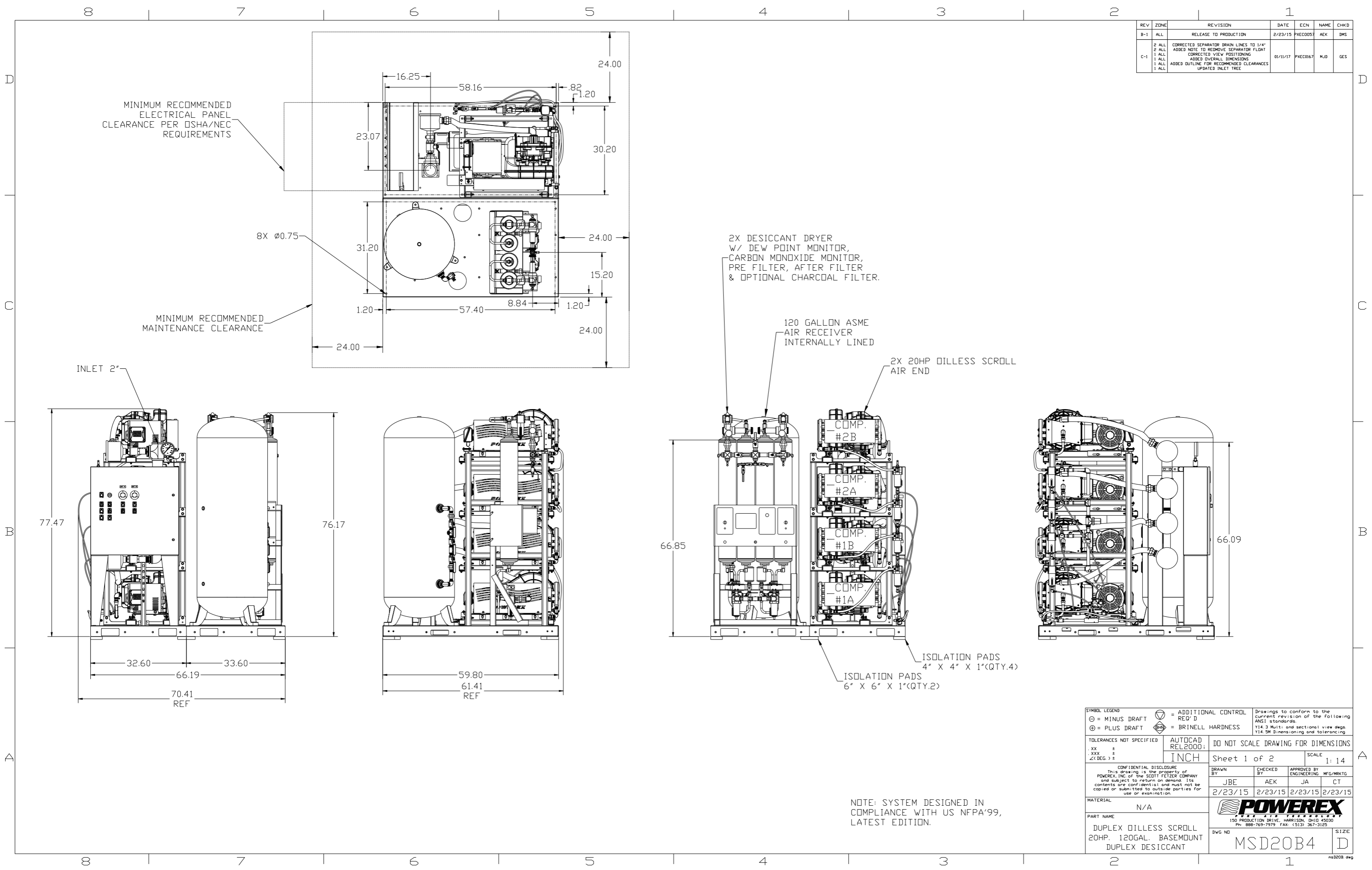
NOTE: SYSTEM DESIGNED IN COMPLIANCE WITH US NFPA'99, LATEST EDITION.

SYMBOL LEGEND	⊖ = MINUS DRAFT	⊕ = PLUS DRAFT	⊗ = ADDITIONAL CONTROL REQ'D	⊘ = BRINELL HARDNESS	Drawings to conform to the current revision of the following ANSI standards: Y14.3 Multi and sectional view dwgs. Y14.5M Dimensioning and tolerancing
---------------	-----------------	----------------	------------------------------	----------------------	---

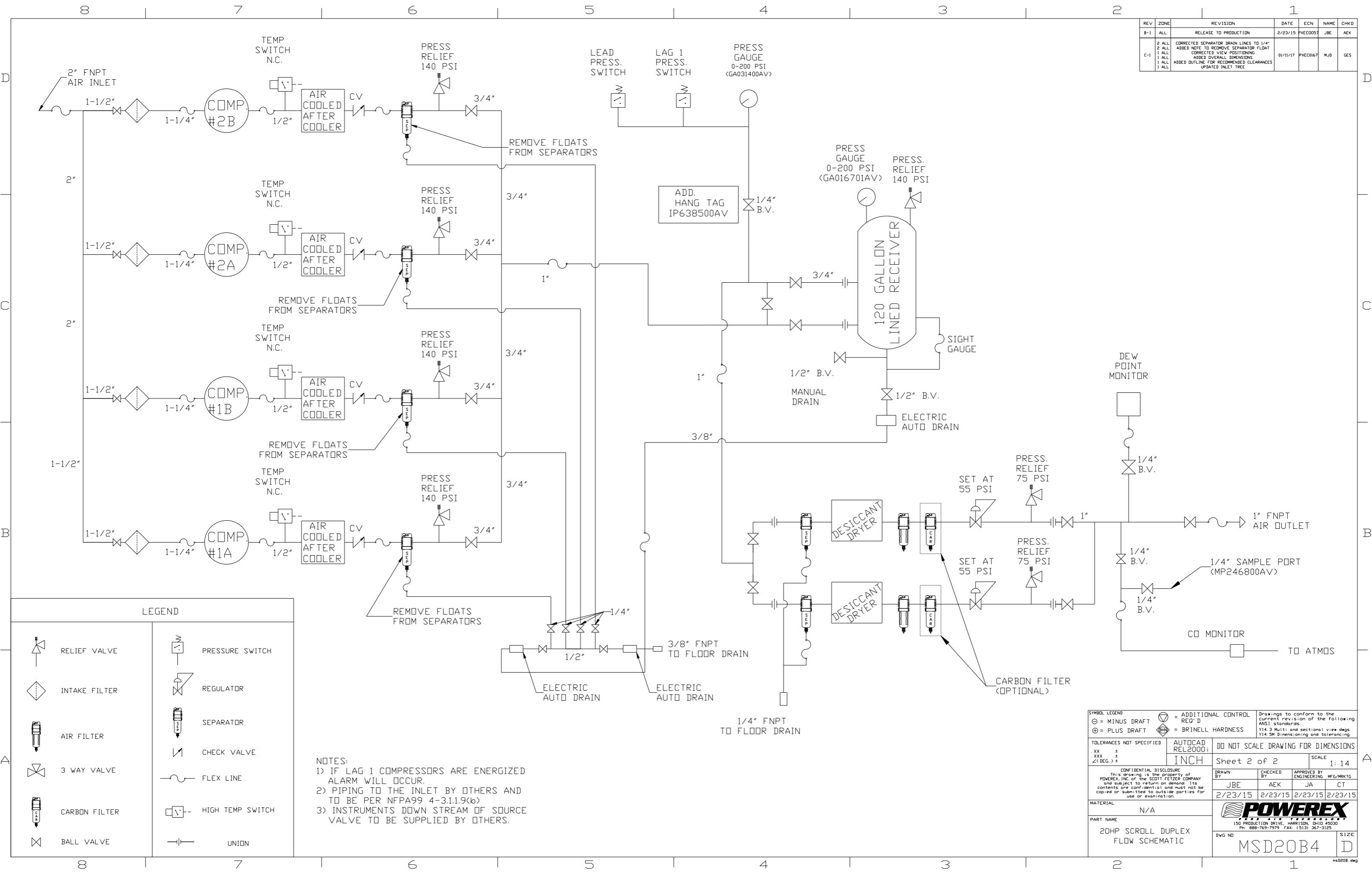
TOLERANCES NOT SPECIFIED	AUTOCAD REL2000:	DO NOT SCALE DRAWING FOR DIMENSIONS
.XX ±		
.XXX ±		
<<BEG>> ±		
	INCH	Sheet 1 of 2
		SCALE 1:14

CONFIDENTIAL DISCLOSURE This drawing is the property of POWEREX, INC. of the SCOTT FETZER COMPANY and subject to return on demand. Its contents are confidential and must not be copied or submitted to outside parties for use or examination.			
DRAWN BY	CHECKED BY	APPROVED BY	MFG/MKTG
JBE	AEK	JA	CT
2/23/15	2/23/15	2/23/15	2/23/15

MATERIAL	N/A	 150 PRODUCTION DRIVE, HARRISON, OHIO 45030 Ph: 888-769-7979 FAX: (513) 367-3125
PART NAME	DUPLEX OILLESS SCROLL 20HP, 120GAL. BASEMOUNT DUPLEX DESICCANT	
DWG NO	MSD20B4	SIZE D



REV	ZONE	REVISION	DATE	ECN	NAME	CHKD
B-1	ALL	RELEASE TO PRODUCTION	2/23/15	PKEC005	JBE	AEK
C-1	2 ALL	CORRECTED SEPARATOR DRAIN LINES TO 1/4"				
	2 ALL	ADDED NOTE TO REMOVE SEPARATOR FLOAT				
	1 ALL	CORRECTED VIEW POSITIONING				
	1 ALL	ADDED OVERALL DIMENSIONS	01/11/17	PKEC0167	MJD	GES
	1 ALL	ADDED OUTLINE FOR RECOMMENDED CLEARANCES				
	1 ALL	UPDATED INLET TREE				



**LEGEND**

	RELIEF VALVE		PRESSURE SWITCH
	INTAKE FILTER		REGULATOR
	AIR FILTER		SEPARATOR
	3 WAY VALVE		CHECK VALVE
	CARBON FILTER		FLEX LINE
	BALL VALVE		HIGH TEMP SWITCH
			UNION

**NOTES:**  
 1) IF LAG 1 COMPRESSORS ARE ENERGIZED ALARM WILL OCCUR.  
 2) PIPING TO THE INLET BY OTHERS AND TO BE PER NFPA99 4-3.1.1.9(b)  
 3) INSTRUMENTS DOWN STREAM OF SOURCE VALVE TO BE SUPPLIED BY OTHERS.

SYMBOL LEGEND		= ADDITIONAL CONTROL REQ'D		Drawings to conform to the current revision of the following ANSI standards	
⊖	MINUS DRAFT	⊕	PLUS DRAFT	⊖	BRINELL HARDNESS
TOLERANCES NOT SPECIFIED		AUTOCAD REL2000: INCH		DO NOT SCALE DRAWING FOR DIMENSIONS	
.XX ±				Sheet 2 of 2	
<DEG> ±				SCALE 1:14	
CONFIDENTIAL DISCLOSURE		APPROVED BY		MFG/MRKTG	
This drawing is the property of POWEREX, INC. of the SCOTT FETZER COMPANY and subject to return on demand. Its contents are confidential and must not be copied or submitted to outside parties for use or examination.		BY	BY	BY	BY
		JBE	AEK	JA	CT
		2/23/15	2/23/15	2/23/15	2/23/15
MATERIAL		N/A			
PART NAME		20HP SCROLL DUPLEX FLOW SCHEMATIC			
DWG NO		MSD20B4		SIZE D	

REV	ZONE	REVISION	DATE	ECN	NAME	CHKD
B-1	ALL	RELEASE TO PRODUCTION	2/23/15	PXEC0057	AEK	DMS
C-1	2 ALL	CORRECTED SEPARATOR DRAIN LINES TO 1/4"				
	2 ALL	ADDED NOTE TO REMOVE SEPARATOR FLDAT				
	1 ALL	CORRECTED VIEW POSITIONING	01/11/17	PXEC0167	MJD	GES
	1 ALL	ADDED OVERALL DIMENSIONS				
	1 ALL	ADDED OUTLINE FOR RECOMMENDED CLEARANCES				
	1 ALL	UPDATED INLET TREE				

MINIMUM RECOMMENDED ELECTRICAL PANEL CLEARANCE PER OSHA/NEC REQUIREMENTS

MINIMUM RECOMMENDED MAINTENANCE CLEARANCE

2X DESICCANT DRYER W/ CARBON MONOXIDE MONITOR, PRE FILTER, AFTER FILTER & OPTIONAL CHARCOAL FILTER.

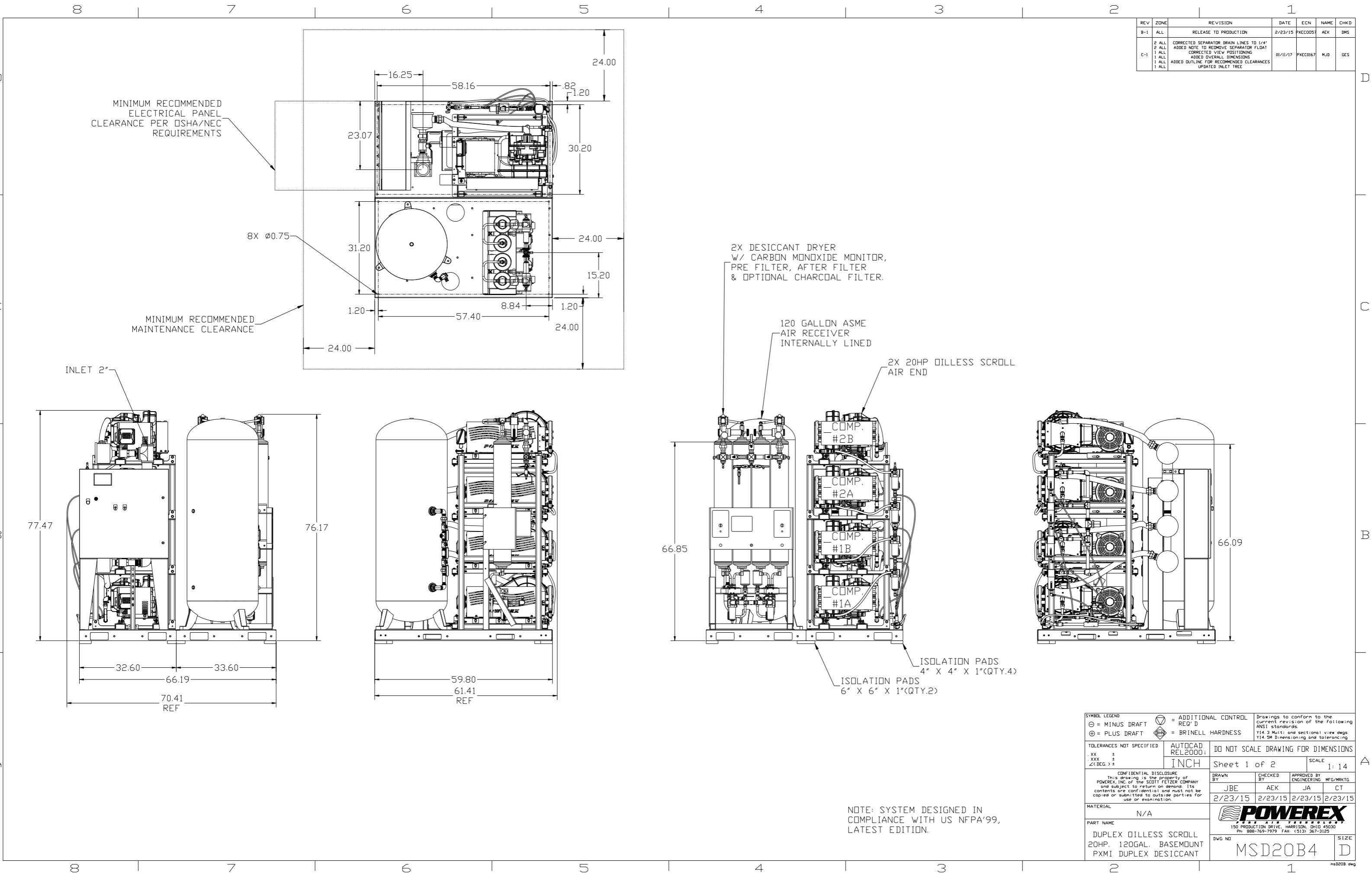
120 GALLON ASME AIR RECEIVER INTERNALLY LINED

2X 20HP DILLESS SCROLL AIR END

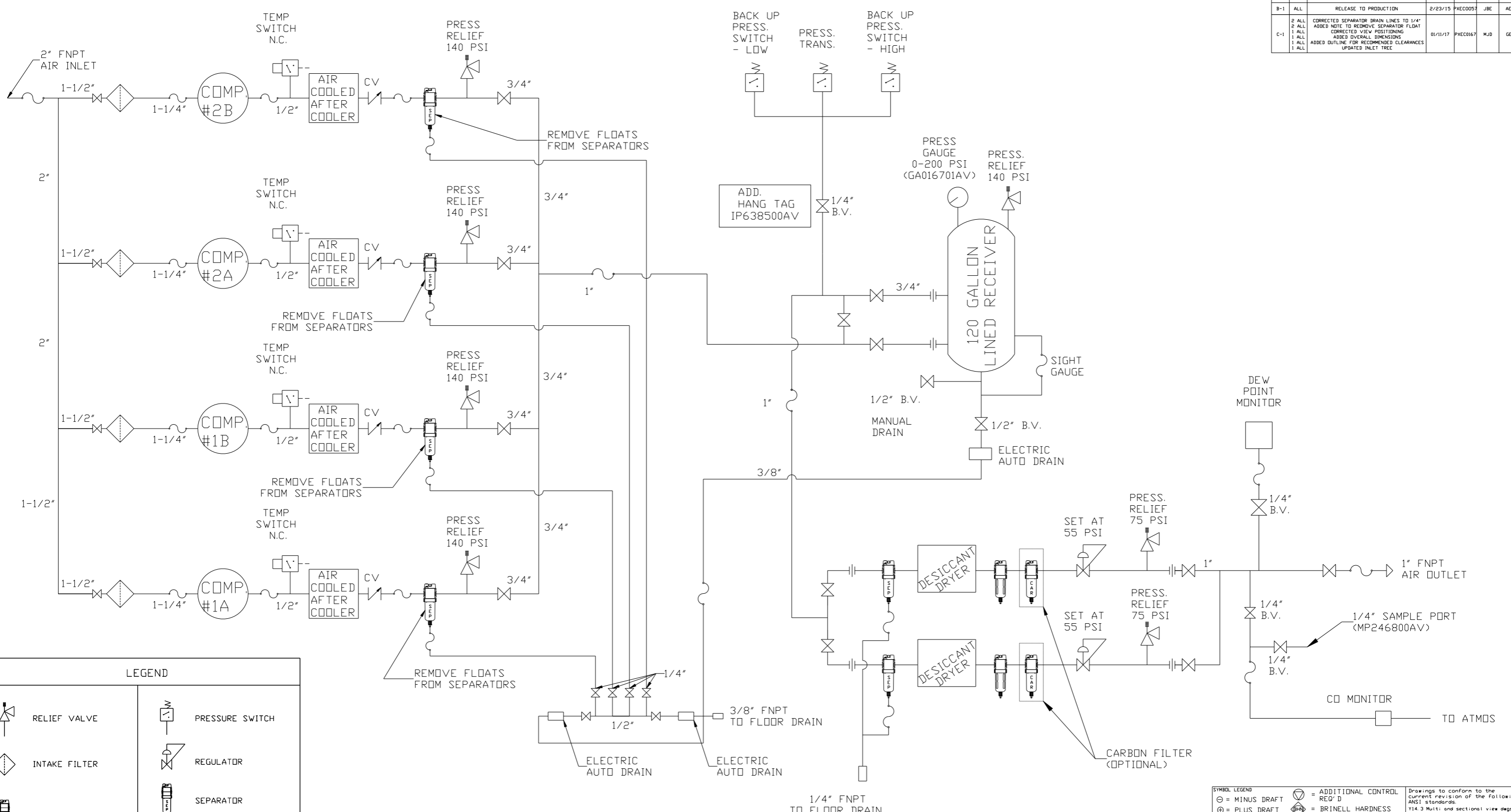
ISOLATION PADS 4" X 4" X 1"(QTY.4)  
ISOLATION PADS 6" X 6" X 1"(QTY.2)

NOTE: SYSTEM DESIGNED IN COMPLIANCE WITH US NFPA'99, LATEST EDITION.

SYMBOL LEGEND ⊖ = MINUS DRAFT ⊕ = PLUS DRAFT TOLERANCES NOT SPECIFIED: .XX ± .XXX ± <math>\angle</math> (DEG.) ±	ADDITIONAL CONTROL REQ'D BRINELL HARDNESS	Drawings to conform to the current revision of the following ANSI standards: Y14.3 Multi and sectional view dsgs Y14.5M Dimensioning and tolerancing
AUTOCAD REL2000i INCH	DO NOT SCALE DRAWING FOR DIMENSIONS Sheet 1 of 2 SCALE 1:14	
CONFIDENTIAL DISCLOSURE This drawing is the property of POWEREX, INC. or the SCOTT FEITZER COMPANY and subject to return on demand. Its contents are confidential and must not be copied or submitted to outside parties for use or examination.	DRAWN BY: JBE CHECKED BY: AEK 2/23/15	APPROVED BY: JA, CT ENGINEERING: MFG/MRKTG 2/23/15, 2/23/15, 2/23/15, 2/23/15
MATERIAL: N/A PART NAME: DUPLEX DILLESS SCROLL 20HP, 120GAL. BASEMOUNT PXMI DUPLEX DESICCANT	DWG NO: MSD20B4	SIZE: D 150 PRODUCTION DRIVE, HARRISON, OHIO 45030 Ph: 888-769-7979 FAX: (513) 367-3125



REV	ZONE	REVISION	DATE	ECN	NAME	CHKD
B-1	ALL	RELEASE TO PRODUCTION	2/23/15	PXEC0057	JBE	AEK
C-1	ALL	CORRECTED SEPARATOR DRAIN LINES TO 1/4"				
	ALL	ADDED NOTE TO REMOVE SEPARATOR FLOAT				
	ALL	CORRECTED VIEW POSITIONING				
	ALL	ADDED OVERALL DIMENSIONS	01/11/17	PXEC0167	MJD	GES
	ALL	ADDED OUTLINE FOR RECOMMENDED CLEARANCES				
	ALL	UPDATED INLET TREE				



**LEGEND**

	RELIEF VALVE		PRESSURE SWITCH
	INTAKE FILTER		REGULATOR
	AIR FILTER		SEPARATOR
	3 WAY VALVE		CHECK VALVE
	CARBON FILTER		FLEX LINE
	BALL VALVE		HIGH TEMP SWITCH
			UNION

**NOTES:**  
 1) IF LAG 1 COMPRESSORS ARE ENERGIZED ALARM WILL OCCUR.  
 2) PIPING TO THE INLET BY OTHERS AND TO BE PER NFPA99 4-3.1.1.9(b)  
 3) INSTRUMENTS DOWN STREAM OF SOURCE VALVE TO BE SUPPLIED BY OTHERS.

SYMBOL LEGEND		ADDITIONAL CONTROL REQ'D		Drawings to conform to the current revision of the following ANSI standards.	
⊖ = MINUS DRAFT	⊕ = PLUS DRAFT	⊖ = MINUS DRAFT	⊕ = PLUS DRAFT	Y14.3 Multi and sectional view deqs. Y14.5M Dimensioning and tolerancing	
TOLERANCES NOT SPECIFIED		AUTOCAD REL2000:		DO NOT SCALE DRAWING FOR DIMENSIONS	
.XX ±		INCH		Sheet 2 of 2	
.XXX ±				SCALE 1:14	
<DEG. ±					
CONFIDENTIAL DISCLOSURE					
This drawing is the property of POWEREX, INC. of the SCOTT FETZER COMPANY and subject to return on demand. Its contents are confidential and must not be copied or submitted to outside parties for use or examination.					
DRAWN BY		CHECKED BY		APPROVED BY	
JBE		AEK		JA CT	
2/23/15		2/23/15		2/23/15	
MATERIAL N/A					
PART NAME					
20HP SCROLL DUPLEX FLOW SCHEMATIC					
DWG NO				SIZE	
MSD20B4				D	