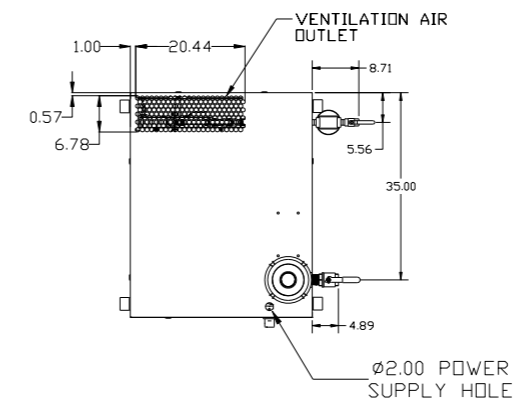
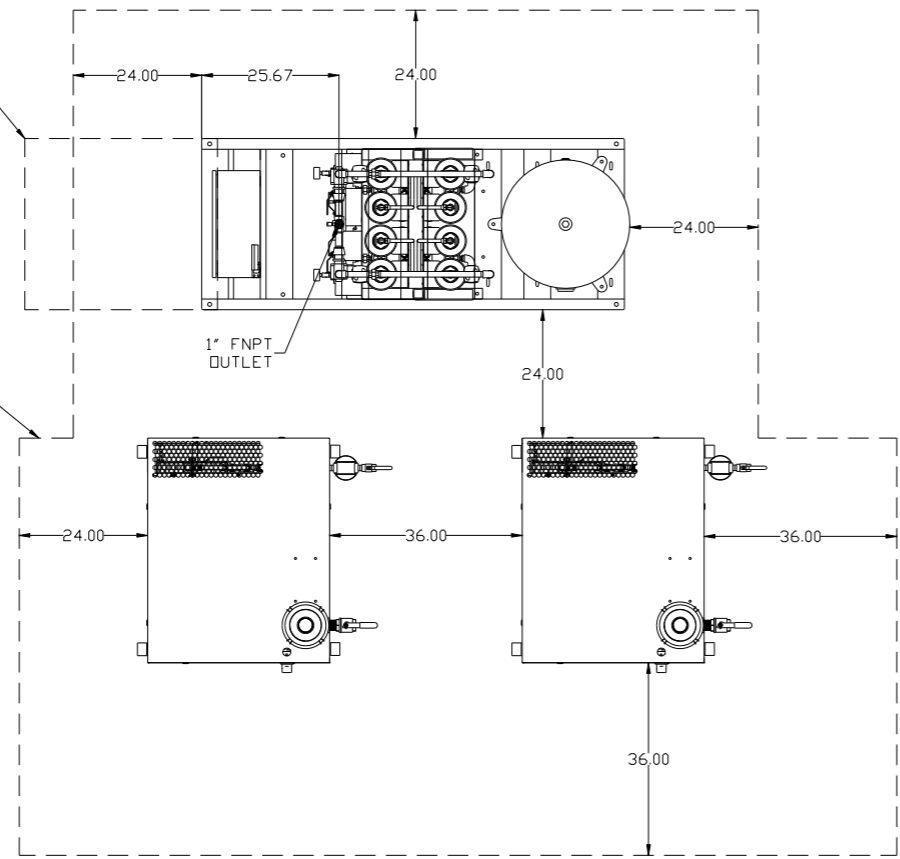


| REV | ZONE | REVISION  | DATE    | ECN     | NAME | CHKD |
|-----|------|---|---------|---------|------|------|
| B-1 | ALL  | RELEASE TO PRODUCTION                                   | 12/8/16 | PREC010 | RK   | JA   |
| B-2 | ALL  | ADDED SEP. CORR ALT PNL DRYER AND NDITES CORRECTED FLOW | 1/25/17 | PREC010 | GES  | JA   |

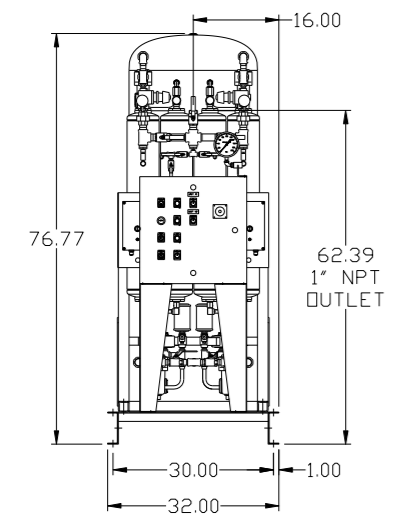
MINIMUM RECOMMENDED ELECTRICAL PANEL CLEARANCE PER OSHA/NEC

MINIMUM RECOMMENDED MAINTENANCE CLEARANCE

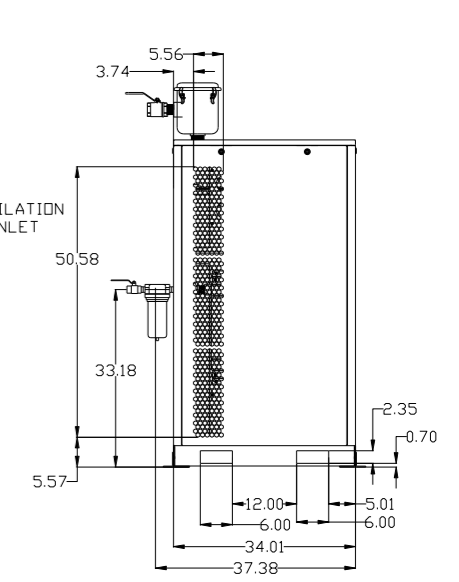
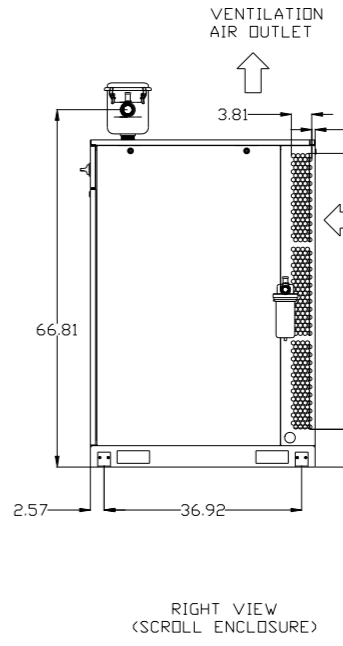
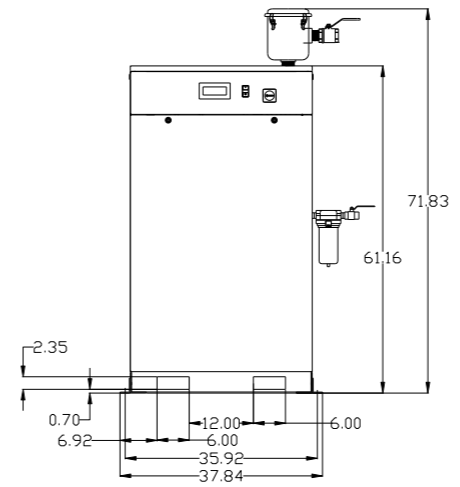
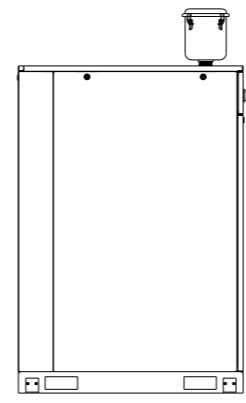
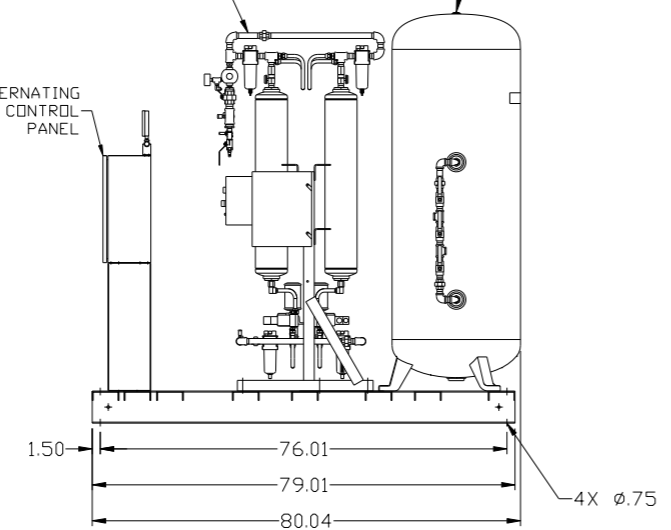


2X DESICCANT DRYERS W/ DEW POINT MONITOR, CARBON MONOXIDE MONITOR, PRE FILTER, AFTER FILTER & OPTIONAL CHARCOAL FILTER.

120 GAL ASME RECEIVER INTERNALLY LINED



ALTERNATING CONTROL PANEL



FRONT VIEW (TANK/DRYER SKID)

RIGHT VIEW (TANK/DRYER SKID)

FRONT VIEW (SCROLL ENCLOSURE)

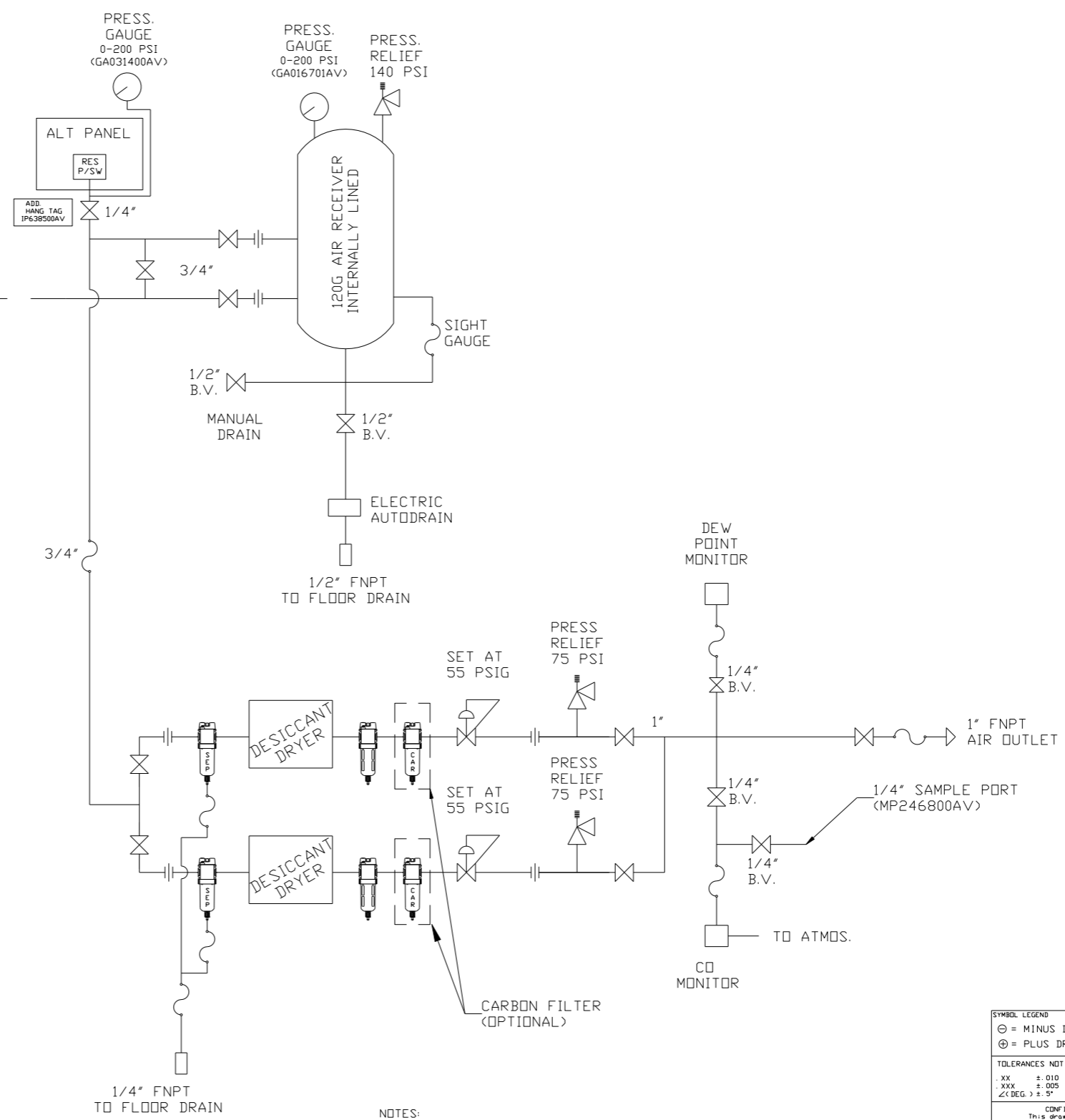
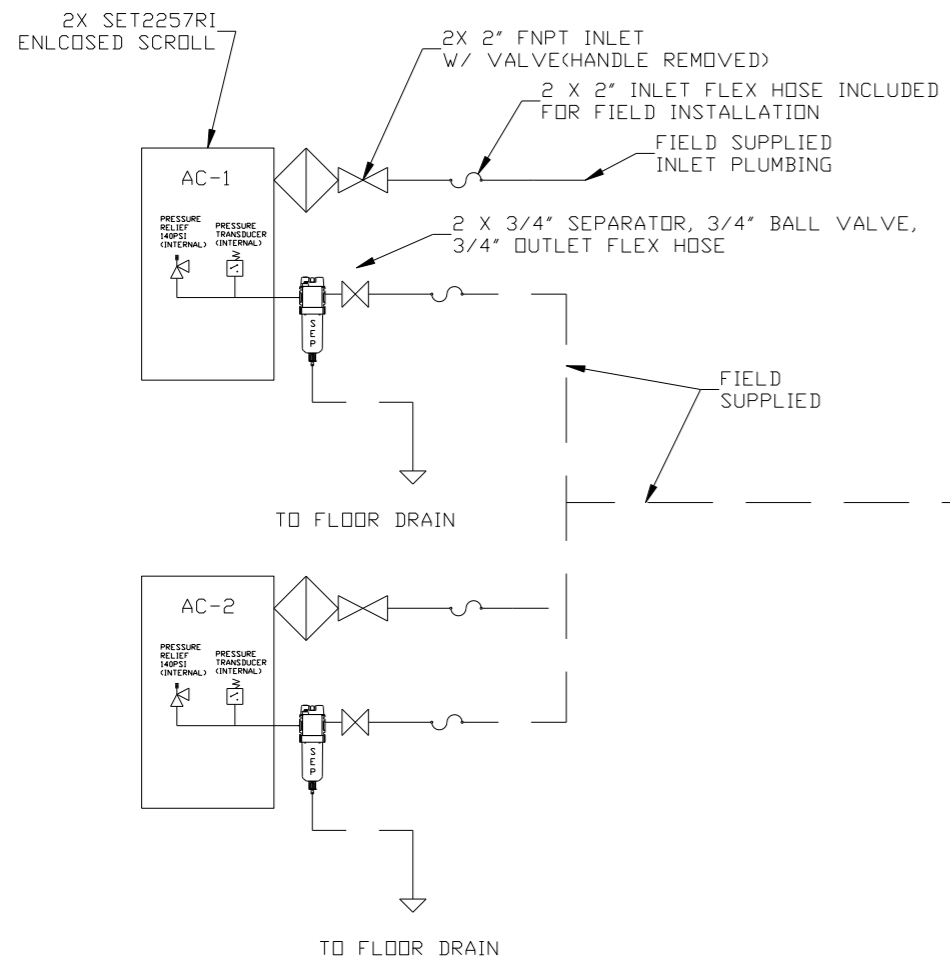
RIGHT VIEW (SCROLL ENCLOSURE)

REAR VIEW (SCROLL ENCLOSURE)

- NOTES:
- 1) SHEET 1, UNIT LAYOUT.
  - 2) SHEET 2, UNIT FLOW SCHEMATIC.
  - 3) INLET CONNECTIONS: 2" FNPT X 2.
  - 4) SYSTEM OUTLET CONNECTION: 1" FNPT X 1.
  - 5) POWER CONNECTION EACH ENCLOSURE: 1-230, OR 460 VOLT, ALTERNATION PANEL: 115V
  - 6) WHEN PACKAGE IS INSTALLED INTO THE FACILITY, MAKE SURE THAT THE INSTALLER REFERENCES TABLE 110.26 (A) (1) FOR MINIMUM WORKING AREA.
  - 7) DIRECTION OF INTAKE CONNECTIONS MAY BE MODIFIED AT INSTALLATION BY ADJUSTING PIPE THREAD CONNECTIONS.

| SYMBOL LEGEND   |             | = ADDITIONAL CONTROL REQ'D |            | Drawings to conform to the current revision of the following ANSI standards |                  |
|---|-------------|----------------------------|------------|---|------------------|
| ⊖   | MINUS DRAFT | ⊕                          | PLUS DRAFT | Ⓜ   | BRINELL HARDNESS |
| TOLERANCES NOT SPECIFIED  |             | AUTOCAD LT 2014            |            | DO NOT SCALE DRAWING FOR DIMENSIONS   |                  |
| .XX   | ± .010      | INCH                       |            | Sheet 1 of 2  |                  |
| .XXX  | ± .005      |                            |            | SCALE 1:18  |                  |
| CONFIDENTIAL DISCLOSURE   |             | DRAWN BY                   |            | CHECKED BY  |                  |
| This drawing is the property of POWEREX, INC. of the SCOTT FETZER COMPANY and subject to return on demand. Its contents are confidential and must not be copied or submitted to outside parties for use or examination. |             | RK                         |            | JA  |                  |
|   |             | 12/8/16                    |            | 12/8/16   |                  |
|   |             | 12/8/16                    |            | 12/8/16   |                  |
| MATERIAL  |             | N/A                        |            | APPROVED BY   |                  |
| PART NAME   |             | MEDICAL ENCL SCROLL        |            | MFG/MKTG  |                  |
| 22.5HP DUPLEX   |             | DWG NO                     |            | MSED2254  |                  |
|   |             | SIZE                       |            | D   |                  |

| REV | ZONE | REVISION   | DATE    | ECN    | NAME | CHKD |
|-----|------|--|---------|--------|------|------|
| B-1 | ALL  | RELEASE TO PRODUCTION                                  | 12/8/16 | PKE010 | RK   | JA   |
| B-2 | ALL  | ADDED SEP. CORR ALT PNL DRYER AND NOTES CORRECTED FLOW | 1/25/17 | PKE010 | GES  | JA   |



LEGEND

|  |                |  |             |
|--|----------------|--|-------------|
|  | INTAKE FILTER  |  | REGULATOR   |
|  | AIR FILTER     |  | CHECK VALVE |
|  | BALL VALVE     |  | SEPERATOR   |
|  | CARBON FILTER  |  | FLEX JOINT  |
|  | DIVERTER VALVE |  | UNION       |

- NOTES:  
 1.) SHEET 1, UNIT LAYOUT.  
 2.) SHEET 2, UNIT FLOW SCHEMATIC.  
 3.) INLET CONNECTIONS: 2" FNPT X 2.  
 4.) SYSTEM OUTLET CONNECTION: 1" FNPT X 1.  
 5.) POWER CONNECTION EACH ENCLOSURE: 1-230, OR 460 VOLT, ALTERNATION PANEL: 115V  
 6.) WHEN PACKAGE IS INSTALLED INTO THE FACILITY, MAKE SURE THAT THE INSTALLER REFERENCES TABLE 110.26 (A) (1) FOR MINIMUM WORKING AREA.  
 7.) DIRECTION OF INTAKE CONNECTIONS MAY BE MODIFIED AT INSTALLATION BY ADJUSTING PIPE THREAD CONNECTIONS.

|  |  |  |
|--|--|--|
| SYMBOL LEGEND<br>⊖ = MINUS DRAFT<br>⊕ = PLUS DRAFT   | ⊕ = ADDITIONAL CONTROL REQ'D<br>BRINELL HARDNESS                                   | Drawings to conform to the current revision of the following ANSI standards:<br>Y14.3 Multi and sectional view dgs.<br>Y14.5M Dimensioning and tolerancing |
| TOLERANCES NOT SPECIFIED<br>.XX ±.010<br>.XXX ±.005<br>∠(DEG.) ±.5°  | AUTOCAD LT 2014<br>INCH  | DO NOT SCALE DRAWING FOR DIMENSIONS<br>Sheet 2 of 2<br>SCALE 1:18  |
| CONFIDENTIAL DISCLOSURE<br>This drawing is the property of POWEREX, INC. of the SCOTT FETZER COMPANY and subject to return on demand. Its contents are confidential and must not be copied or submitted to outside parties for use or examination. | DRAWN BY<br>RK   | CHECKED BY<br>JA   |
| MATERIAL<br>N/A  | APPROVED BY<br>JA  | ENGINEERING MFG/MRKTG<br>CT  |
| PART NAME<br>MEDICAL ENCL SCROLL<br>FLOW SCHEMATIC   | DATE<br>12/8/16  | DATE<br>12/8/16  |
|  | DATE<br>12/8/16  | DATE<br>12/8/16  |
|  |  |  |
|  | 150 PRODUCTION DRIVE, HARRISON, OHIO 45030<br>Ph: 888-769-7979 Fax: (513) 367-3125 |  |
| DWG NO<br>MSED2254   | SIZE<br>D  |  |