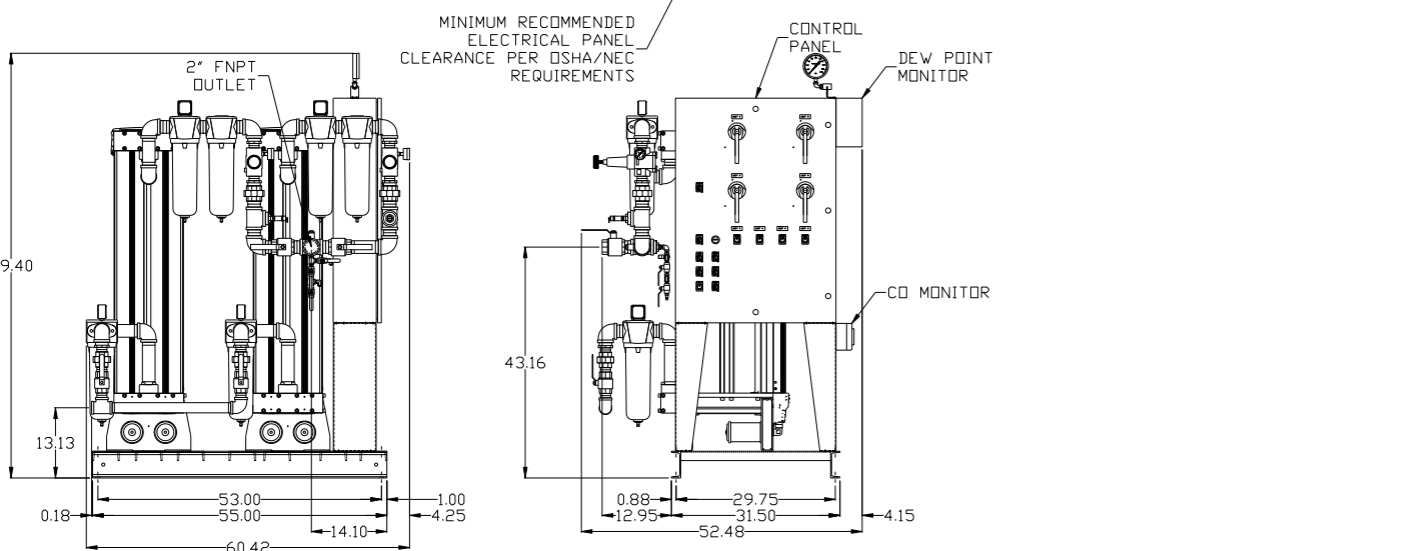
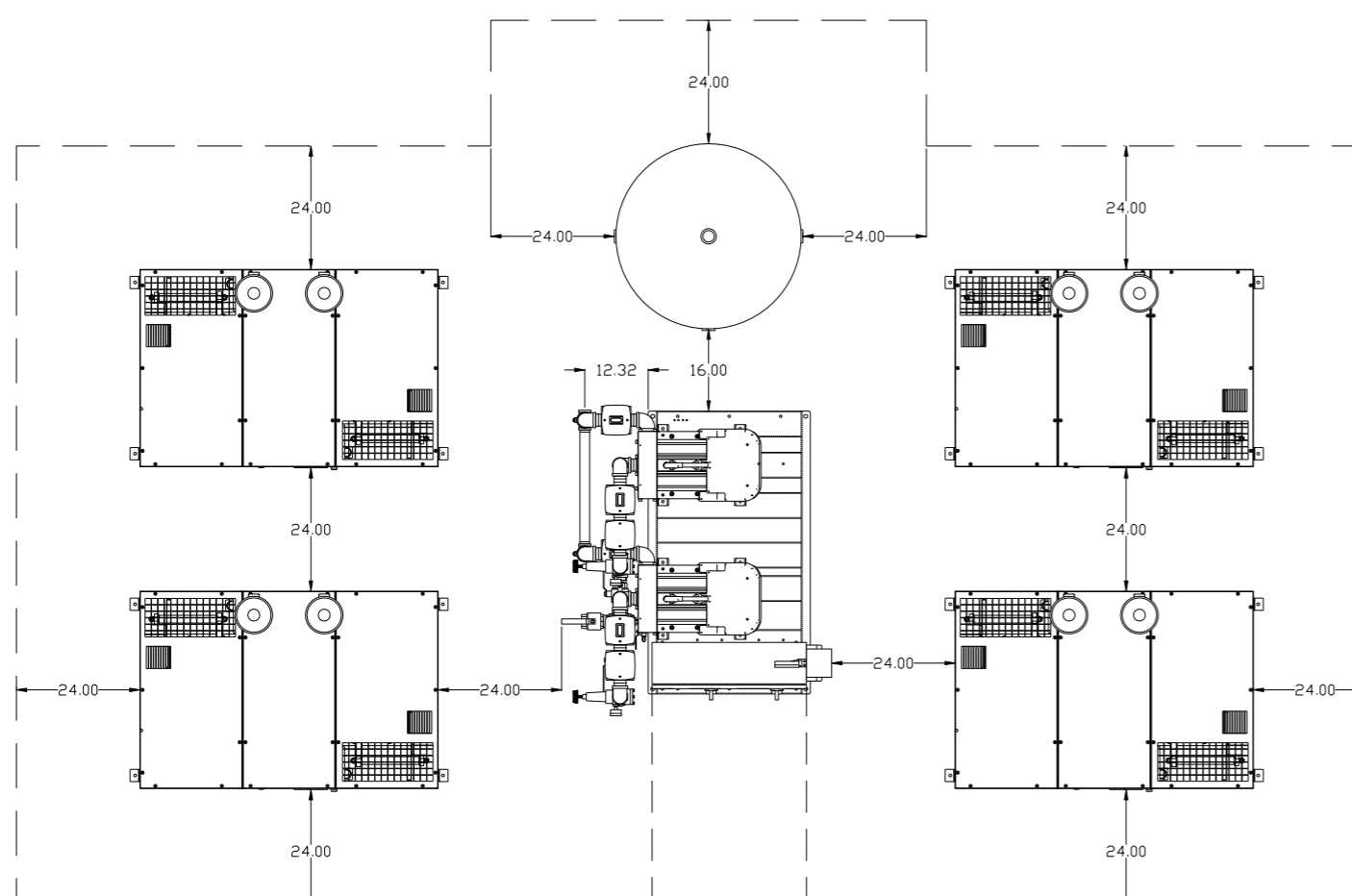
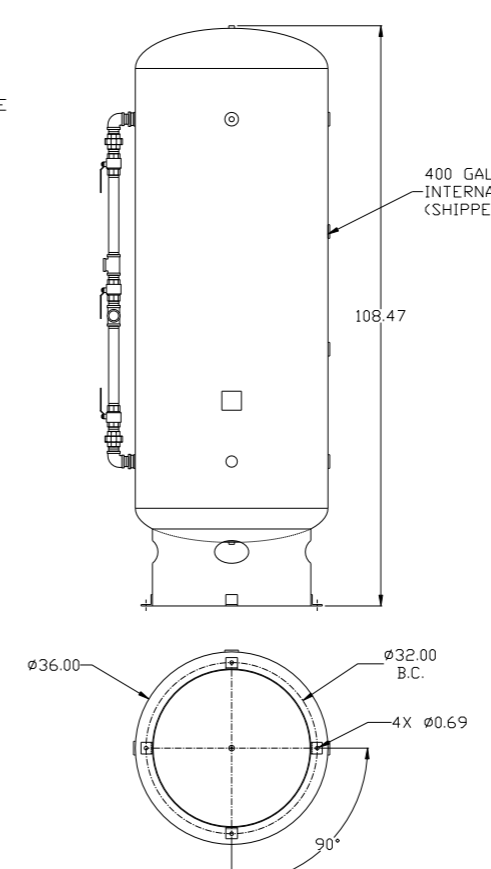


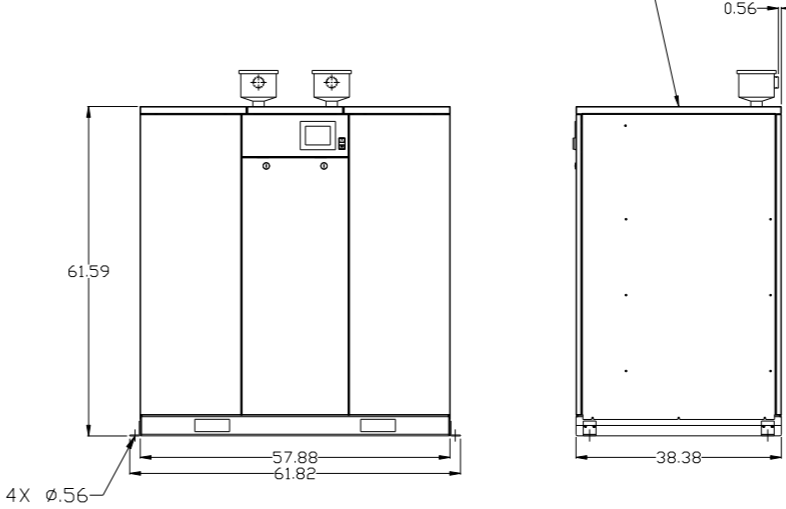
REV	ZONE	REVISION	DATE	ECN	NAME	CHKD
A-1	ALL	RELEASE FOR SUBMITTAL	10/10/07	21668	AEK	GES
B-1	ALL	RELEASE TO PROD / ADDED TOP AND REAR VIEWS	10/15/07	21669	AEK	GES
C-1	ALL	UPDATED BUILD & FLDW TO CURRENT STANDARD	6/9/08	21907	AEK	GES
C-2	ALL	CORRECTED INLET DETAILS	9/25/08	21907	AEK	GES
D-1	1 ALL 2 ALL	UPDATED PANEL AND MONITORS ADDED DRIP LEGS	6/24/10	22348	AEK	GES
E-1	ALL	UPDATED TO POWEREX SEH ENCLOSURE	5/31/11	22394	AEK	GES
F-1	1 B6	ADDED FILTER CALL-OUTS TO DRYER CALL-OUT	8/19/11	22546	AEK	GES
G-1	1 ALL	UPDATED TO HANG DRYERS	9/8/17	PXEC0174	AEK	GES



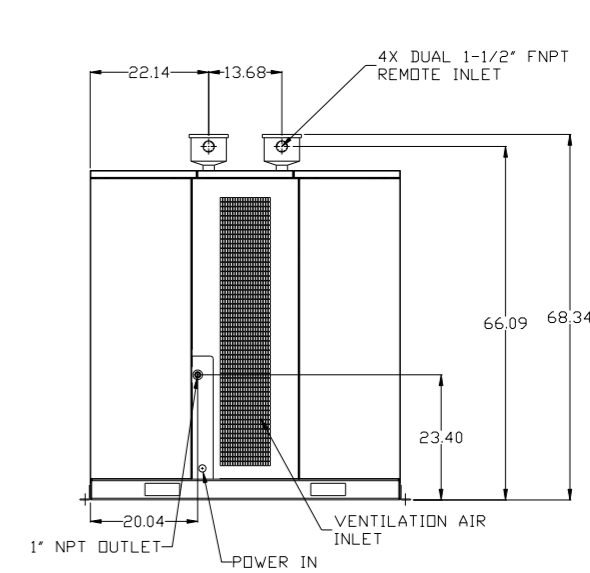
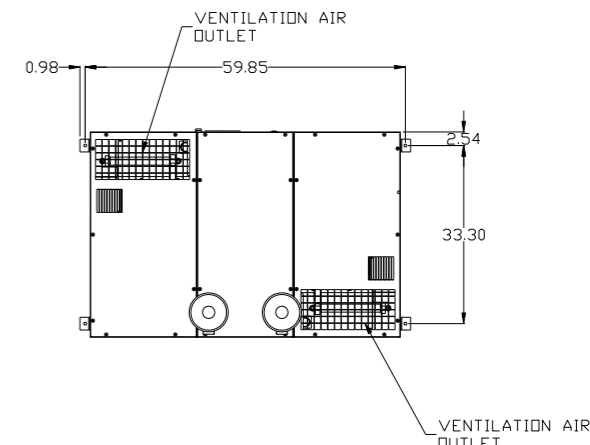
LEFT VIEW (CONTROLS/DRYER SKID)
FRONT VIEW (CONTROLS/DRYER SKID)



400 GALLON ASME RECEIVER INTERNALLY LINED W/ BYPASS (SHIPPED LOOSE)
4X SEH3007 SCROLL ENCLOSURE



FRONT VIEW (SCROLL ENCLOSURE)
RIGHT VIEW (SCROLL ENCLOSURE)

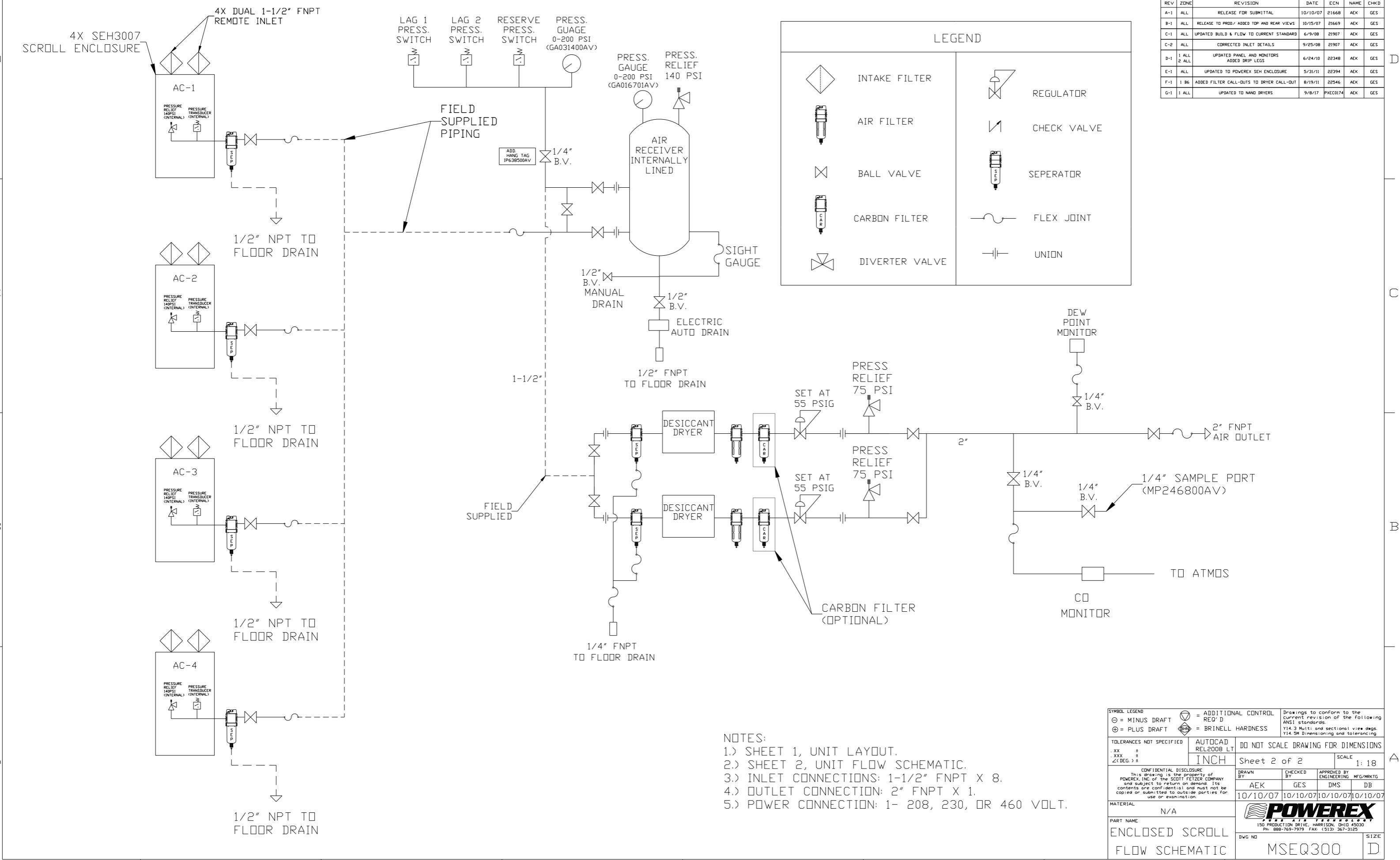
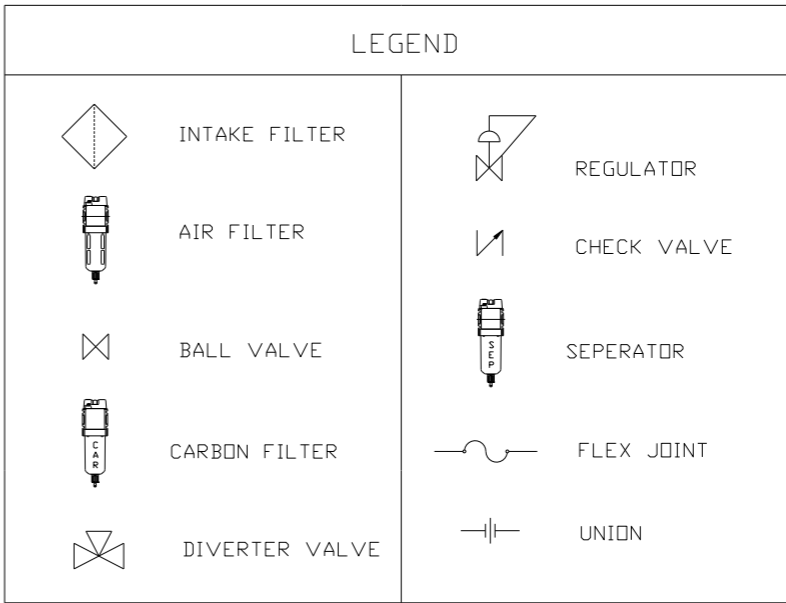


REAR VIEW (SCROLL ENCLOSURE)

- NOTES:
 1.) SHEET 1, UNIT LAYOUT.
 2.) SHEET 2, UNIT FLOW SCHEMATIC.
 3.) INLET CONNECTIONS: 1-1/2" FNPT X 8.
 4.) OUTLET CONNECTIONS: 2" FNPT X 1.
 5.) POWER CONNECTION: 1- 208, 230, OR 460 VOLT.
 6.) WHEN PACKAGE IS INSTALLED INTO THE FACILITY, MAKE SURE THAT THE INSTALLER REFERENCES TABLE 110.26 (A) (1) FOR MINIMUM WORKING AREA.

SYMBOL LEGEND ⊖ = MINUS DRAFT ⊕ = PLUS DRAFT Ⓢ = ADDITIONAL CONTROL REQ'D Ⓢ = BRINELL HARDNESS		Drawings to conform to the current revision of the following ANSI standards: Y14.3 Multi and sectional view dsgs. Y14.5M Dimensioning and tolerancing	
TOLERANCES NOT SPECIFIED .XX ± .XXX ± <<DEG> ±		AUTOCAD REL2008 LT INCH DO NOT SCALE DRAWING FOR DIMENSIONS Sheet 1 of 2 SCALE 1:18	
CONFIDENTIAL DISCLOSURE This drawing is the property of POWEREX, INC. of the SCOTT FEITZER COMPANY and subject to return on demand. Its contents are confidential and must not be copied or submitted to outside parties for use or examination.		DRAWN BY: AEK CHECKED BY: GES APPROVED BY: ENGINEERING MFG/MKTG: DMS DB 10/10/07 10/10/07 10/10/07 10/10/07	
MATERIAL: N/A		 150 PRODUCTION DRIVE, HARRISON, OHIO 45030 Ph: 888-769-7979 FAX: (513) 367-3125	
PART NAME: MEDICAL SCROLL 30HP QUADPLEX		DWG NO: MSEQ300 SIZE: D	

REV	ZONE	REVISION	DATE	ECN	NAME	CHKD
A-1	ALL	RELEASE FOR SUBMITTAL	10/10/07	21668	AEK	GES
B-1	ALL	RELEASE TO PROD/ ADDED TOP AND REAR VIEWS	10/15/07	21669	AEK	GES
C-1	ALL	UPDATED BUILD & FLOW TO CURRENT STANDARD	6/9/08	21907	AEK	GES
C-2	ALL	CORRECTED INLET DETAILS	9/25/08	21907	AEK	GES
D-1	1 ALL 2 ALL	UPDATED PANEL AND MONITORS ADDED DRIP LEGS	6/24/10	22348	AEK	GES
E-1	ALL	UPDATED TO POWEREX SEH ENCLOSURE	5/31/11	22394	AEK	GES
F-1	1 B6	ADDED FILTER CALL-OUTS TO DRYER CALL-OUT	8/19/11	22546	AEK	GES
G-1	1 ALL	UPDATED TO HAND DRYERS	9/8/17	PXEC0174	AEK	GES



- NOTES:**
- 1.) SHEET 1, UNIT LAYOUT.
 - 2.) SHEET 2, UNIT FLOW SCHEMATIC.
 - 3.) INLET CONNECTIONS: 1-1/2" FNPT X 8.
 - 4.) OUTLET CONNECTION: 2" FNPT X 1.
 - 5.) POWER CONNECTION: 1- 208, 230, OR 460 VOLT.

SYMBOL LEGEND		= ADDITIONAL CONTROL REQ'D		Drawings to conform to the current revision of the following ANSI standards:	
= MINUS DRAFT		= BRINELL HARDNESS		Y14.3 Multi and sectional view dgs. Y14.5M Dimensioning and tolerancing	
= PLUS DRAFT					
TOLERANCES NOT SPECIFIED		AUTOCAD REL2008 LT		DO NOT SCALE DRAWING FOR DIMENSIONS	
.XX ±		INCH		Sheet 2 of 2	
.XXX ±				SCALE 1:18	
<<DEG>> ±					
CONFIDENTIAL DISCLOSURE					
This drawing is the property of POWEREX, INC. of the SCOTT FETZER COMPANY and subject to return on demand. Its contents are confidential and must not be copied or submitted to outside parties for use or examination.					
DRAWN BY		CHECKED BY		APPROVED BY	
AEK		GES		DMS DB	
10/10/07		10/10/07		10/10/07	
MATERIAL N/A					
PART NAME ENCLOSED SCROLL FLOW SCHEMATIC					
DWG NO MSEQ300				SIZE D	