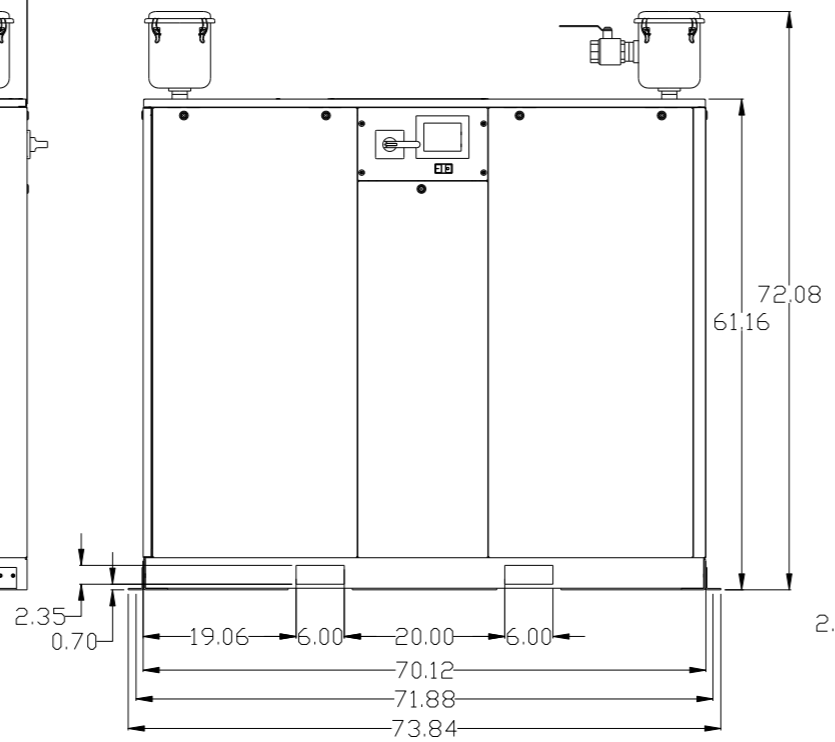
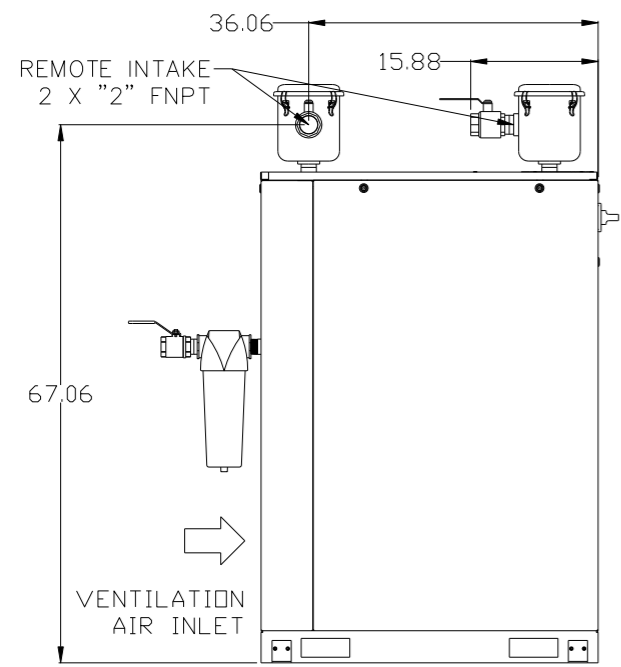
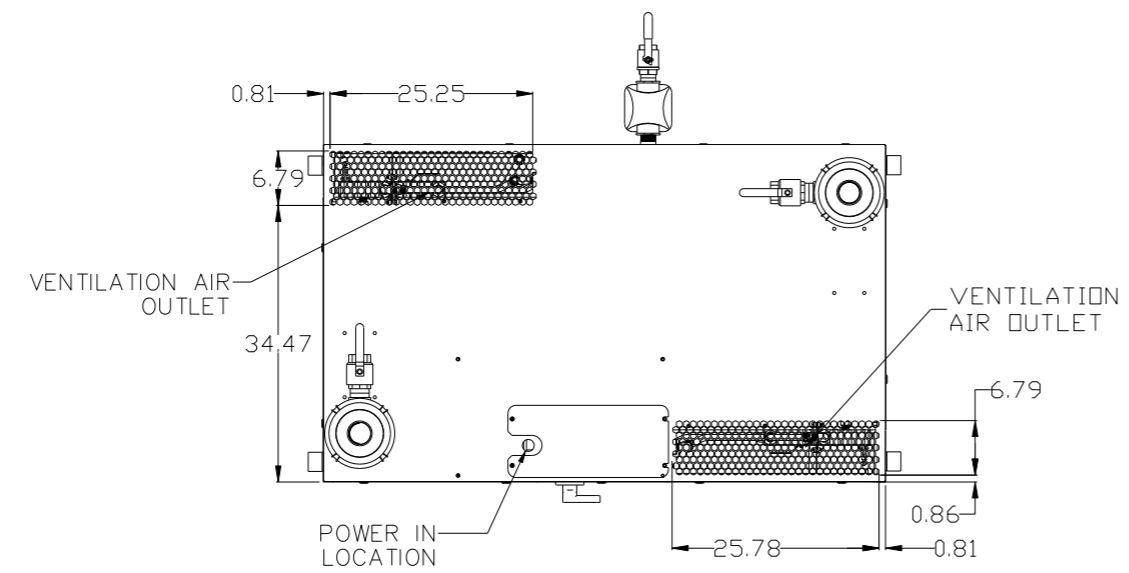
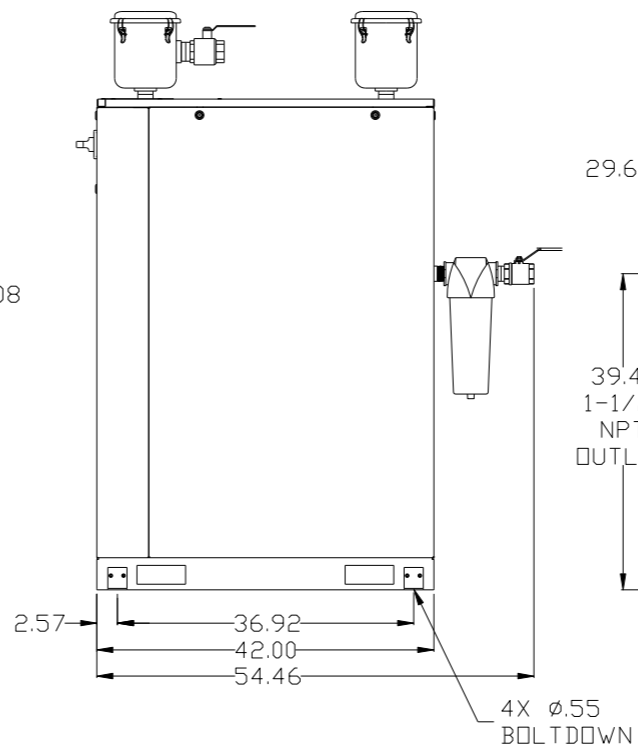


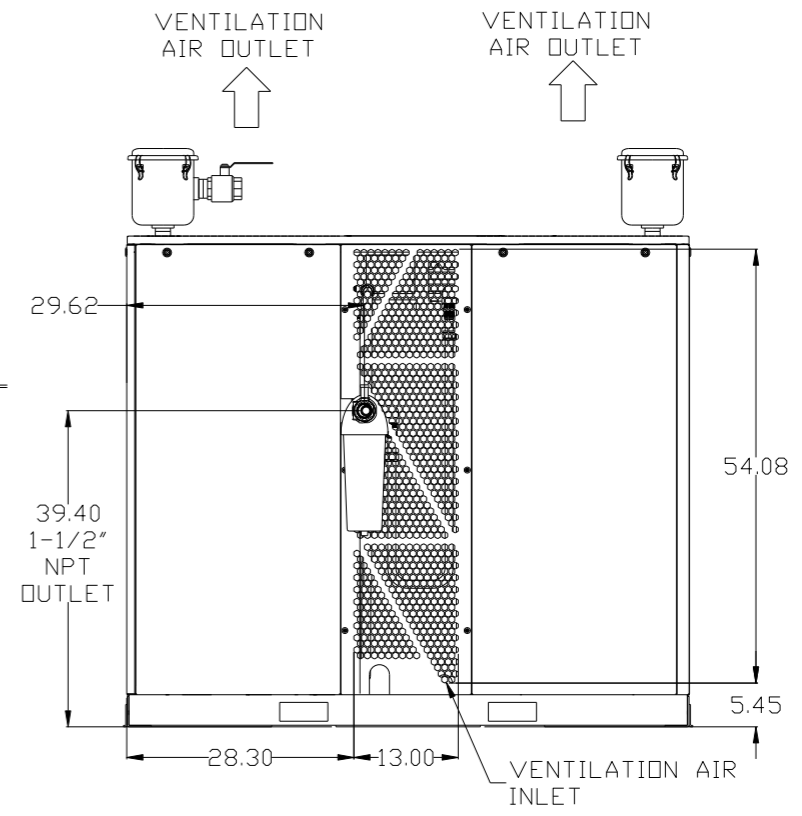
REV	ZONE	REVISION	DATE	ECN	NAME	CHKD
B-1	ALL	RELEASE TO PRODUCTION	12/8/16	PKEC0180	RK	JA
B-2	1ALL 3ALL 4ALL 5ALL	ADDED OUTLET SEPARATOR ADDED LINING TO TANK NOTE CHANGED TO NANO DRYERS CORRECTED FLOOR PLAN CORRECTED FLOW SCHEMATIC	2/2/17	PKEC0180	GES	JA



FRONT VIEW
(SCROLL ENCLOSURE)



RIGHT VIEW
(SCROLL ENCLOSURE)



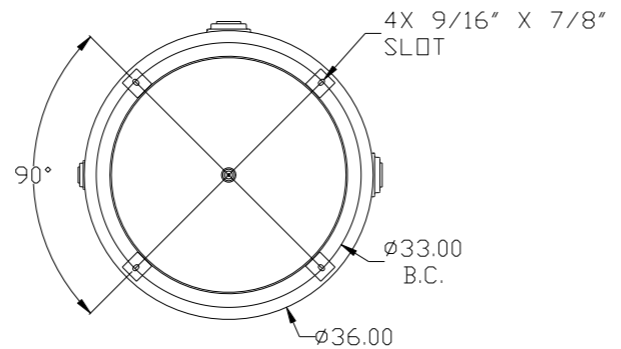
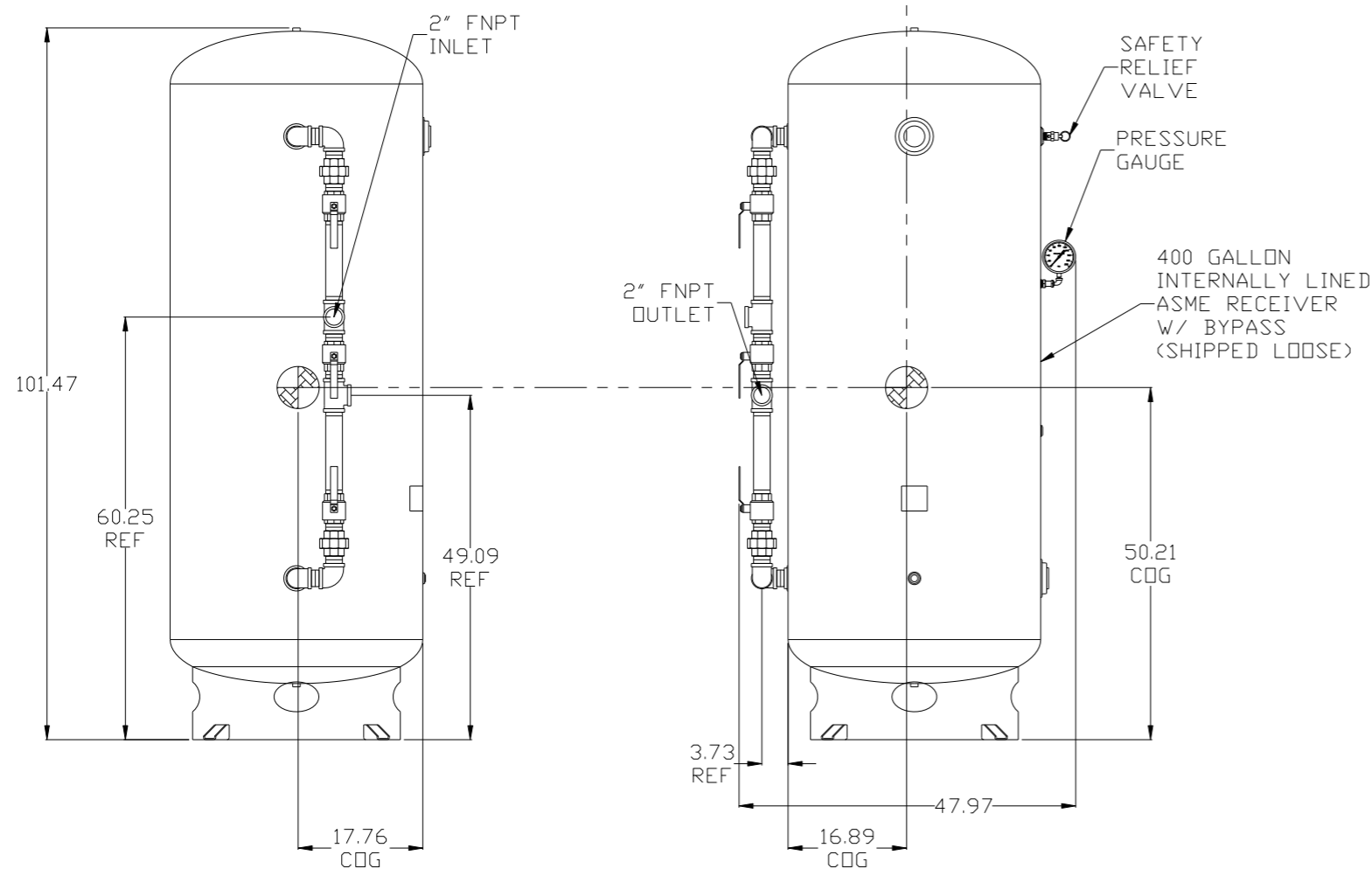
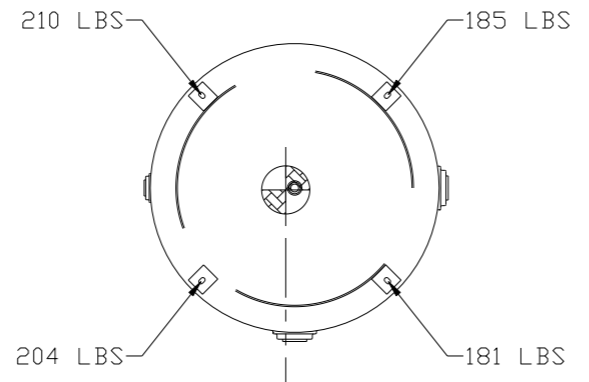
REAR VIEW
(SCROLL ENCLOSURE)

- NOTES:
- 1) SHEET 1 - SCROLL ENCLOSURE LAYOUT
SHEET 2 - RECEIVER LAYOUT
SHEET 3 - AIR TREATMENT LAYOUT
SHEET 4 - PLAN VIEW
SHEET 5 - FLOW SCHEMATIC
 - 2) INLET CONNECTIONS: 2" FNPT X 8.
 - 3) OUTLET CONNECTION: 2-1/2" FNPT X 1.
 - 4) POWER CONNECTION : EACH ENCLOSURE: 1- 230, OR 460 VOLT.
: ALTERNATION PANEL: 115V
 - 5) WHEN PACKAGE IS INSTALLED INTO THE FACILITY,
VERIFY THE INSTALLER REFERENCES
TABLE 110.26 (A) (1) FOR MINIMUM WORKING AREA.
 - 6.) DIRECTION OF THE INTAKE CONNECTIONS MAY BE MODIFIED
AT INSTALLATION BY ADJUSTING THE PIPE THREAD CONNECTIONS.

SYMBOL LEGEND		⊕ = MINUS DRAFT	⊖ = PLUS DRAFT	⊕ = ADDITIONAL CONTROL REQ'D	⊖ = BRINELL HARDNESS	Drawings to conform to the current revision of the following ANSI standards: Y14.3 Multi and sectional view dsgs. Y14.5M Dimensioning and tolerancing
TOLERANCES NOT SPECIFIED		.XX ±	.XXX ±	<<DEG> ±	AUTOCAD LT 2014	DO NOT SCALE DRAWING FOR DIMENSIONS
CONFIDENTIAL DISCLOSURE This drawing is the property of POWEREX, INC. of the SCOTT FETZER COMPANY and subject to return on demand. Its contents are confidential and must not be copied or submitted to outside parties for use or examination.		DRAWN BY RK		CHECKED BY JA	APPROVED BY ENGINEERING JA	MFG/MKTG CT
MATERIAL N/A		12/8/16		12/8/16	12/8/16	12/8/16
PART NAME MEDICAL SCROLL 40HP QUADPLEX		SCALE 1:12		Sheet 1 of 5		
DWG NO MSEQ40B7		 150 PRODUCTION DRIVE, HARRISON, OHIO 45030 Ph: 888-769-7979 FAX: (513) 367-3125			SIZE D	

REV	ZONE	REVISION	DATE	ECN	NAME	CHKD
B-1	ALL	RELEASE TO PRODUCTION	12/8/16	PKEC0180	RK	JA
B-2	1ALL 3ALL 4ALL 5ALL	ADDED OUTLET SEPARATOR ADDED LINING TO TANK NOTE CHANGED TO NANO DRYERS CORRECTED FLOOR PLAN CORRECTED FLOW SCHEMATIC	2/2/17	PKEC0180	GES	JA

8 7 6 5 4 3 2 1



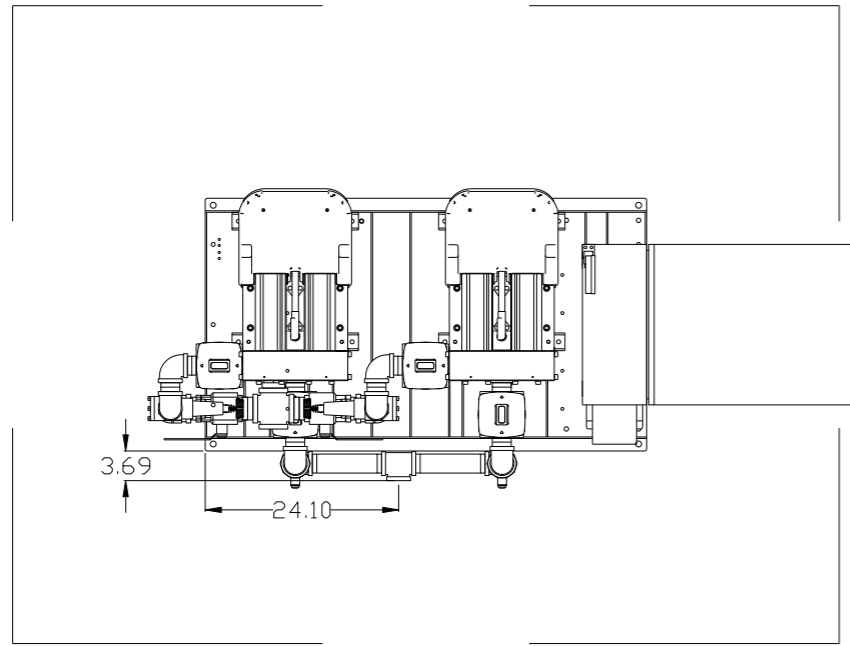
- NOTES:
- 1) SHEET 1 - SCROLL ENCLOSURE LAYOUT
SHEET 2 - RECEIVER LAYOUT
SHEET 3 - AIR TREATMENT LAYOUT
SHEET 4 - PLAN VIEW
SHEET 5 - FLOW SCHEMATIC
 - 2) INLET CONNECTIONS: 2" FNPT X 8.
 - 3) OUTLET CONNECTION: 2-1/2" FNPT X 1.
 - 4) POWER CONNECTION : EACH ENCLOSURE: 1- 230, OR 460 VOLT.
: ALTERNATION PANEL: 115V
 - 5) WHEN PACKAGE IS INSTALLED INTO THE FACILITY,
VERIFY THE INSTALLER REFERENCES
TABLE 110.26 (A) (1) FOR MINIMUM WORKING AREA.
 - 6.) DIRECTION OF THE INTAKE CONNECTIONS MAY BE MODIFIED
AT INSTALLATION BY ADJUSTING THE PIPE THREAD CONNECTIONS.

INDICATES CENTER OF GRAVITY
RECEIVER WEIGHT - 780 LBS

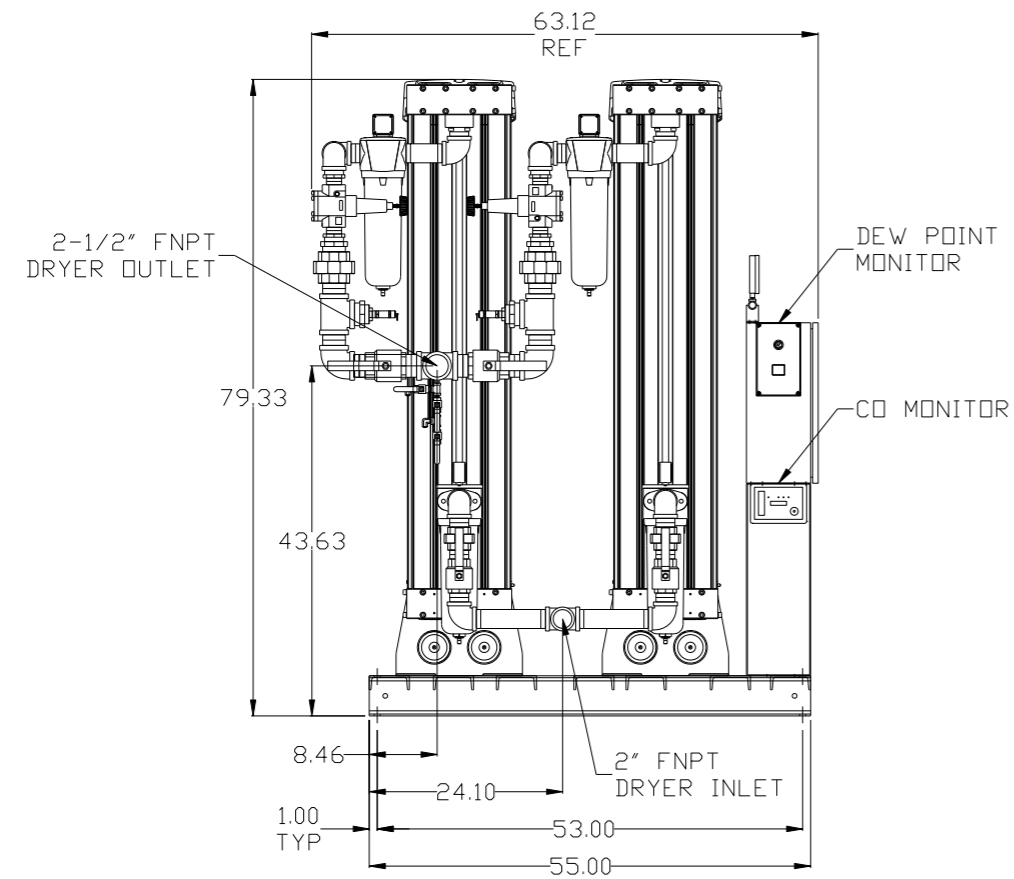
SYMBOL LEGEND		AUTOCAD LT 2014		DO NOT SCALE DRAWING FOR DIMENSIONS		
	= MINUS DRAFT		= ADDITIONAL CONTROL REQ'D	Drawings to conform to the current revision of the following ANSI standards:		
	= PLUS DRAFT		= BRINELL HARDNESS	Y14.3 Multi and sectional view dsgs. Y14.5M Dimensioning and tolerancing		
TOLERANCES NOT SPECIFIED	.XX ±	INCH	SCALE	Sheet 2 of 5 1:12		
CONFIDENTIAL DISCLOSURE This drawing is the property of POWEREX, INC. of the SCOTT FETZER COMPANY and subject to return on demand. Its contents are confidential and must not be copied or submitted to outside parties for use or examination.		DRAWN BY	CHECKED BY	APPROVED BY	MFG/MRKTG	
		RK	JA	JA	CT	
		12/8/16	12/8/16	12/8/16	12/8/16	
MATERIAL		N/A				
PART NAME		MEDICAL SCROLL		150 PRODUCTION DRIVE, HARRISON, OHIO 45030 Ph: 888-769-7979 FAX: (513) 367-3125		
		40HP QUADPLEX		DWG NO	SIZE	
				MSEQ40B7	D	

8 7 6 5 4 3 2 1

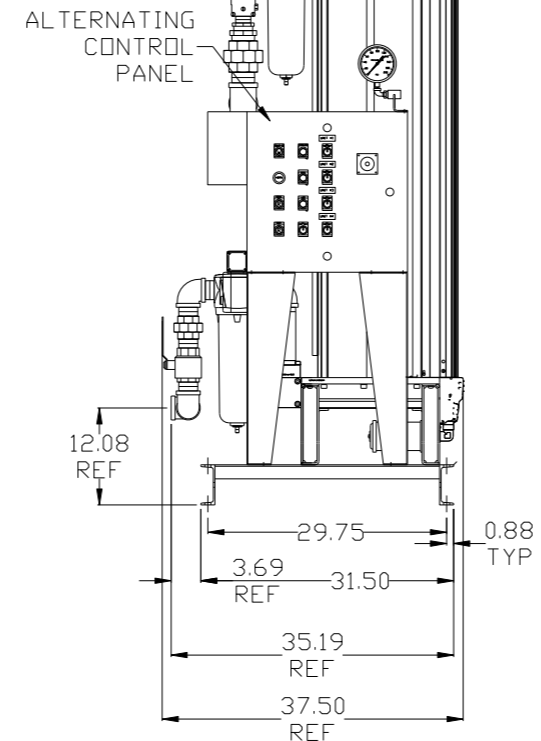
REV	ZONE	REVISION	DATE	ECN	NAME	CHKD
B-1	ALL	RELEASE TO PRODUCTION	12/8/16	PKE0180	RK	JA
B-2	1ALL 3ALL 4ALL 5ALL	ADDED OUTLET SEPARATOR ADDED LINING TO TANK NOTE CHANGED TO NANO DRYERS CORRECTED FLOOR PLAN CORRECTED FLOW SCHEMATIC	2/2/17	PKE0180	GES	JA



MINIMUM RECOMMENDED
ELECTRICAL PANEL
CLEARANCE PER OSHA/NEC



2X DESICCANT DRYER
W/ PRE-FILTER, AFTER-FILTER,
& CARBON FILTER (OPTIONAL).

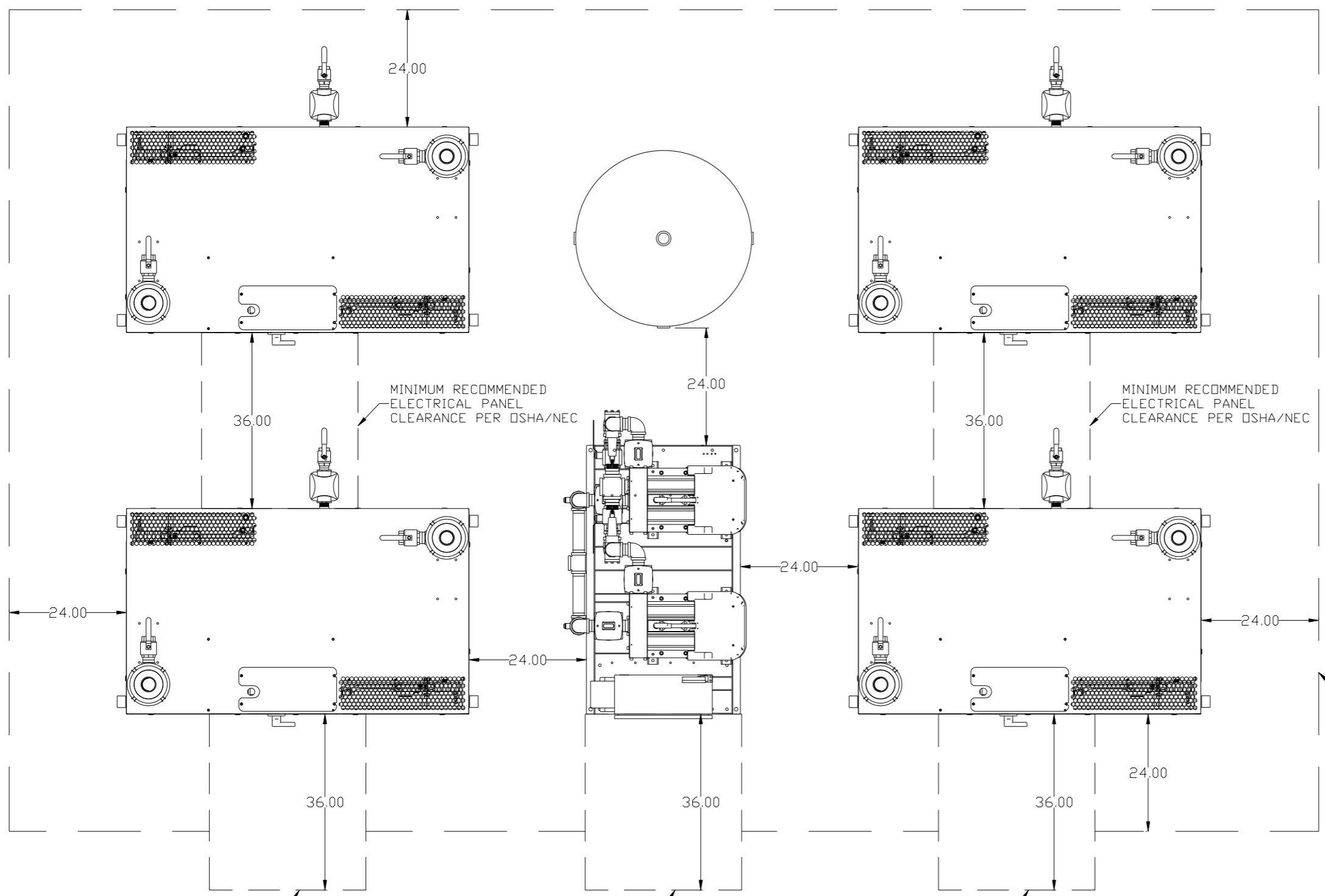


- NOTES:
- 1) SHEET 1 - SCROLL ENCLOSURE LAYOUT
SHEET 2 - RECEIVER LAYOUT
SHEET 3 - AIR TREATMENT LAYOUT
SHEET 4 - PLAN VIEW
SHEET 5 - FLOW SCHEMATIC
 - 2) INLET CONNECTIONS: 2" FNPT X 8.
 - 3) OUTLET CONNECTION: 2-1/2" FNPT X 1.
 - 4) POWER CONNECTION : EACH ENCLOSURE: 1- 230, OR 460 VOLT.
: ALTERNATION PANEL: 115V
 - 5) WHEN PACKAGE IS INSTALLED INTO THE FACILITY,
VERIFY THE INSTALLER REFERENCES
TABLE 110.26 (A) (1) FOR MINIMUM WORKING AREA.
 - 6.) DIRECTION OF THE INTAKE CONNECTIONS MAY BE MODIFIED
AT INSTALLATION BY ADJUSTING THE PIPE THREAD CONNECTIONS.

SYMBOL LEGEND ⊖ = MINUS DRAFT ⊕ = PLUS DRAFT .XX ± .XXX ± \angle (DEG) ±		= ADDITIONAL CONTROL REQ'D = BRINELL HARDNESS		Drawings to conform to the current revision of the following ANSI standards: Y14.3 Multi and sectional view dsgs. Y14.5M Dimensioning and tolerancing
TOLERANCES NOT SPECIFIED .XX ± .XXX ± \angle (DEG) ±		AUTOCAD LT 2014 INCH		DO NOT SCALE DRAWING FOR DIMENSIONS Sheet 3 of 5 SCALE 1:12
CONFIDENTIAL DISCLOSURE This drawing is the property of POWEREX, INC. of the SCOTT FETZER COMPANY and subject to return on demand. Its contents are confidential and must not be copied or submitted to outside parties for use or examination.		DRAWN BY RK	CHECKED BY JA	APPROVED BY ENGINEERING MFG/MKTG JA CT
MATERIAL N/A		12/8/16	12/8/16	12/8/16 12/8/16
PART NAME MEDICAL SCROLL 40HP QUADPLEX		 150 PRODUCTION DRIVE, HARRISON, OHIO 45030 Ph: 888-769-7979 FAX: (513) 367-3125		DWG NO MSEQ40B7 SIZE D

8 7 6 5 4 3 2 1

REV	ZONE	REVISION	DATE	ECN	NAME	CHKD
B-1	ALL	RELEASE TO PRODUCTION	12/8/16	PKEC010	RK	JA
B-2	1ALL 3ALL 4ALL 5ALL	ADDED OUTLET SEPARATOR ADDED LINING TO TANK NOTE CHANGED TO NANO DRYERS CORRECTED FLOOR PLAN CORRECTED FLOW SCHEMATIC	2/2/17	PKEC010	GES	JA



- NOTES:
- 1) SHEET 1 - SCROLL ENCLOSURE LAYOUT
SHEET 2 - RECEIVER LAYOUT
SHEET 3 - AIR TREATMENT LAYOUT
SHEET 4 - PLAN VIEW
SHEET 5 - FLOW SCHEMATIC
 - 2) INLET CONNECTIONS: 2" FNPT X 8.
 - 3) OUTLET CONNECTION: 2-1/2" FNPT X 1.
 - 4) POWER CONNECTION : EACH ENCLOSURE: 1- 230, OR 460 VOLT.
: ALTERNATION PANEL: 115V
 - 5) WHEN PACKAGE IS INSTALLED INTO THE FACILITY,
VERIFY THE INSTALLER REFERENCES
TABLE 110.26 (A) (1) FOR MINIMUM WORKING AREA.
 - 6.) DIRECTION OF THE INTAKE CONNECTIONS MAY BE MODIFIED
AT INSTALLATION BY ADJUSTING THE PIPE THREAD CONNECTIONS.

MINIMUM RECOMMENDED
ELECTRICAL PANEL
CLEARANCE PER OSHA/NEC

MINIMUM RECOMMENDED
ELECTRICAL PANEL
CLEARANCE PER OSHA/NEC

MINIMUM RECOMMENDED
ELECTRICAL PANEL
CLEARANCE PER OSHA/NEC

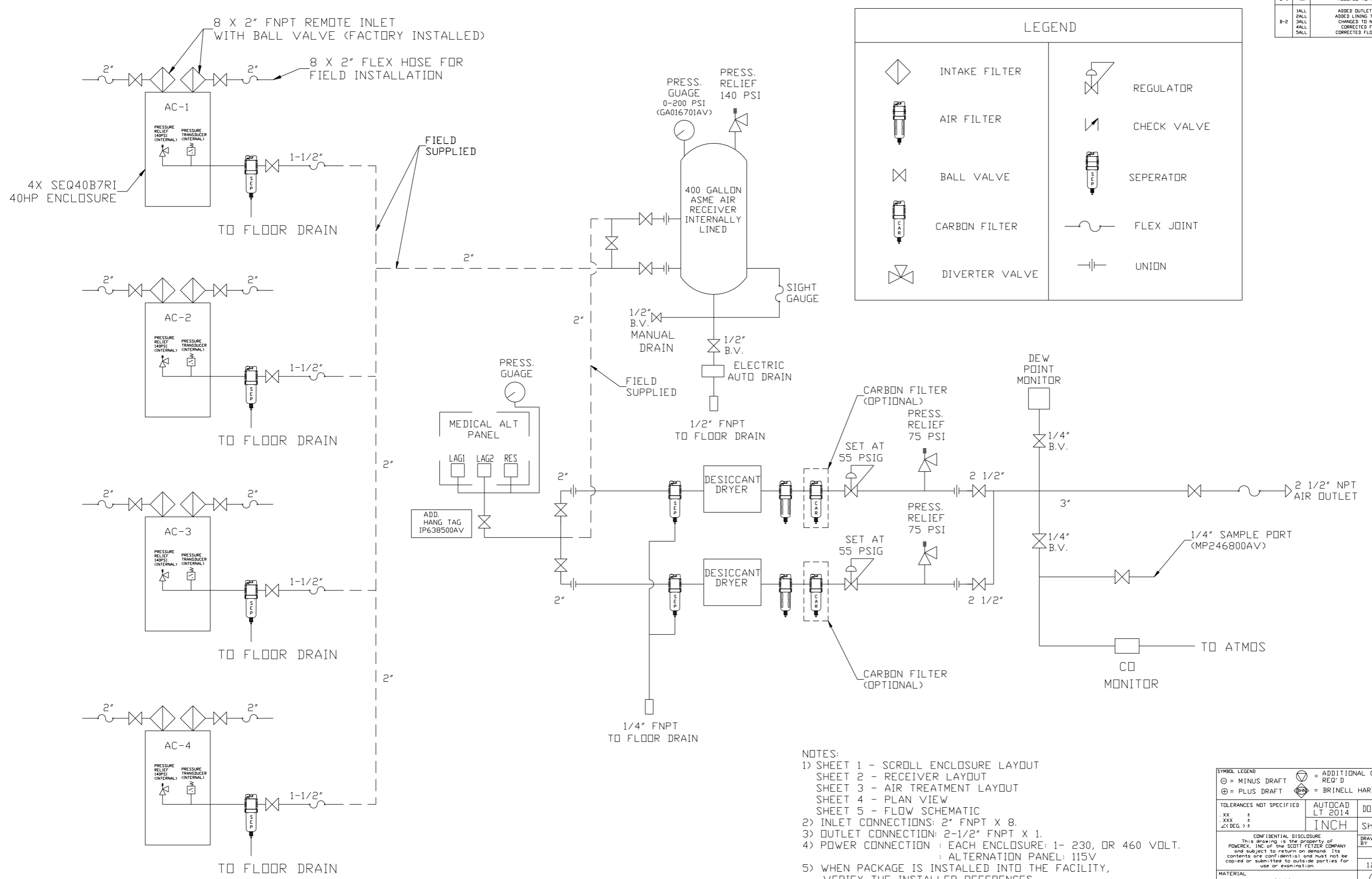
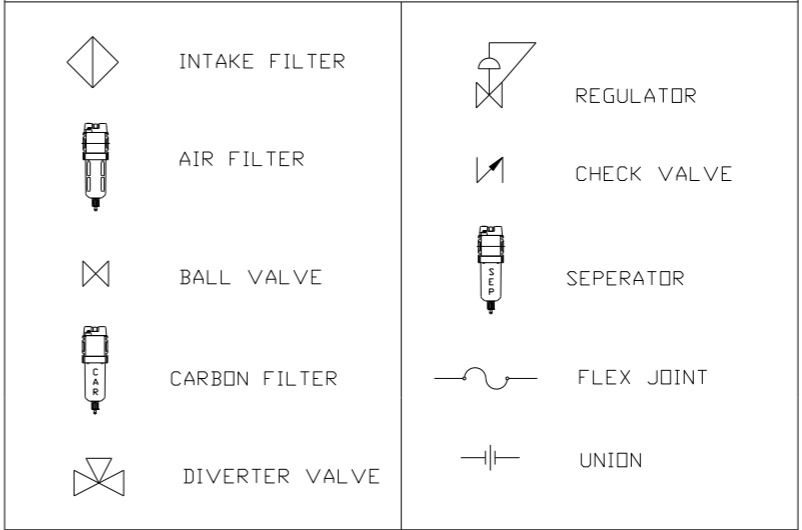
MINIMUM RECOMMENDED
MAINTENANCE CLEARANCE

SYMBOL LEGEND ⊖ = MINUS DRAFT ⊕ = PLUS DRAFT TOLERANCES NOT SPECIFIED .XX ± .XXX ± << DEG > ±		= ADDITIONAL CONTROL REQ'D = BRINELL HARDNESS		Drawings to conform to the current revision of the following ANSI standards: Y14.3 Multi and sectional view dsgs. Y14.5M Dimensioning and tolerancing
AUTOCAD LT 2014 INCH		DO NOT SCALE DRAWING FOR DIMENSIONS Sheet 4 of 5 SCALE 1:12		
CONFIDENTIAL DISCLOSURE This drawing is the property of POWEREX, INC. of the SCOTT FETZER COMPANY and subject to return on demand. Its contents are confidential and must not be copied or submitted to outside parties for use or examination.				
DRAWN BY RK	CHECKED BY JA	APPROVED BY ENGINEERING JA	MFG/MKTG CT	
12/8/16	12/8/16	12/8/16	12/8/16	
MATERIAL N/A		 150 PRODUCTION DRIVE, HARRISON, OHIO 45030 Ph: 888-769-7979 FAX: (513) 367-3125		
PART NAME MEDICAL SCROLL 40HP QUADPLEX		DWG NO MSEQ40B7	SIZE D	

8 7 6 5 4 3 2 1

REV	ZONE	REVISION	DATE	ECN	NAME	CHKD
B-1	ALL	RELEASE TO PRODUCTION	12/8/16	PKE0180	RK	JA
B-2	ALL	ADDED OUTLET SEPARATOR ADDED LINING TO TANK NOTE CHANGED TO NANO DRYERS CORRECTED FLOOR PLAN CORRECTED FLOW SCHEMATIC	2/2/17	PKE0180	GES	JA

LEGEND



- NOTES:
- 1) SHEET 1 - SCROLL ENCLOSURE LAYOUT
SHEET 2 - RECEIVER LAYOUT
SHEET 3 - AIR TREATMENT LAYOUT
SHEET 4 - PLAN VIEW
SHEET 5 - FLOW SCHEMATIC
 - 2) INLET CONNECTIONS: 2" FNPT X 8.
 - 3) OUTLET CONNECTION: 2-1/2" FNPT X 1.
 - 4) POWER CONNECTION : EACH ENCLOSURE: 1- 230, OR 460 VOLT.
: ALTERNATION PANEL: 115V
 - 5) WHEN PACKAGE IS INSTALLED INTO THE FACILITY,
VERIFY THE INSTALLER REFERENCES
TABLE 110.26 (A) (1) FOR MINIMUM WORKING AREA.
 - 6.) DIRECTION OF THE INTAKE CONNECTIONS MAY BE MODIFIED
AT INSTALLATION BY ADJUSTING THE PIPE THREAD CONNECTIONS.

SYMBOL LEGEND		= ADDITIONAL CONTROL REQ'D		Drawings to conform to the current revision of the following ANSI standards:	
= MINUS DRAFT		= BRINELL HARDNESS		Y14.3 Multi and sectional view dgs. Y14.5M Dimensioning and tolerancing	
= PLUS DRAFT					
TOLERANCES NOT SPECIFIED		AUTOCAD LT 2014		DO NOT SCALE DRAWING FOR DIMENSIONS	
.XX ±		INCH		Sheet 5 of 5	
.XXX ±				SCALE 1:12	
\angle (DEG) ±					
CONFIDENTIAL DISCLOSURE This drawing is the property of POWEREX, INC. of the SCOTT FETZER COMPANY and subject to return on demand. Its contents are confidential and must not be copied or submitted to outside parties for use or examination.					
DRAWN BY		CHECKED BY		APPROVED BY	
RK		JA		MFG/MRKTG	
12/8/16		12/8/16		12/8/16 12/8/16	
MATERIAL N/A					
PART NAME MEDICAL SCROLL					
40HP QUADPLEX					
DWG NO MSEQ40B7				SIZE D	