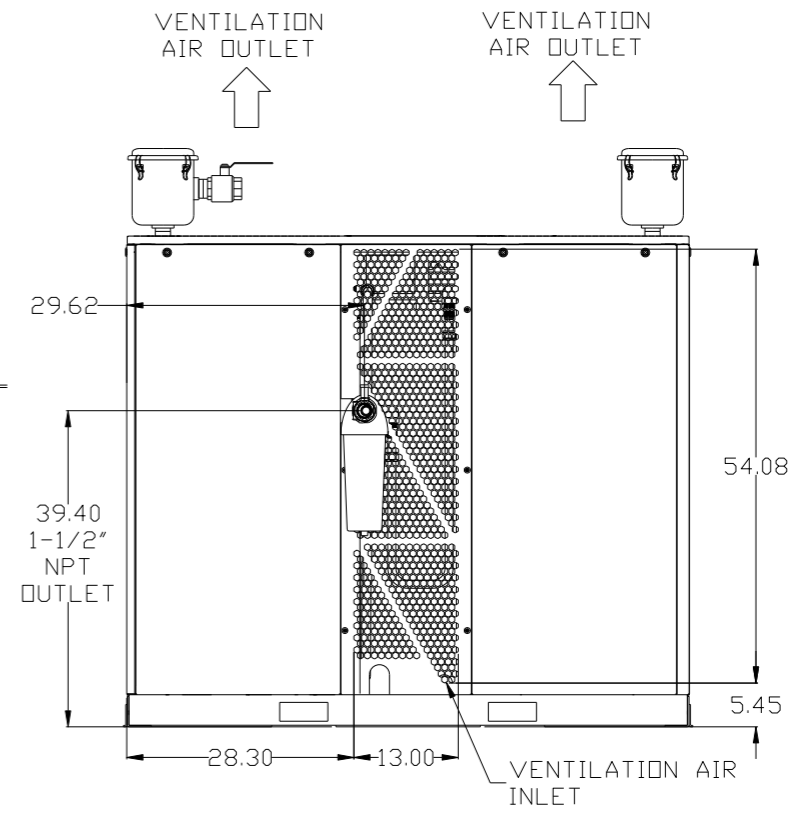
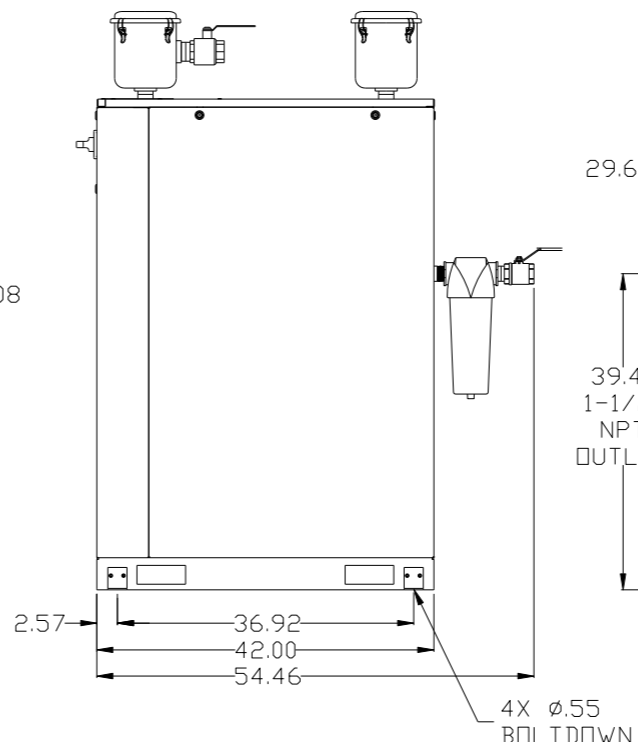
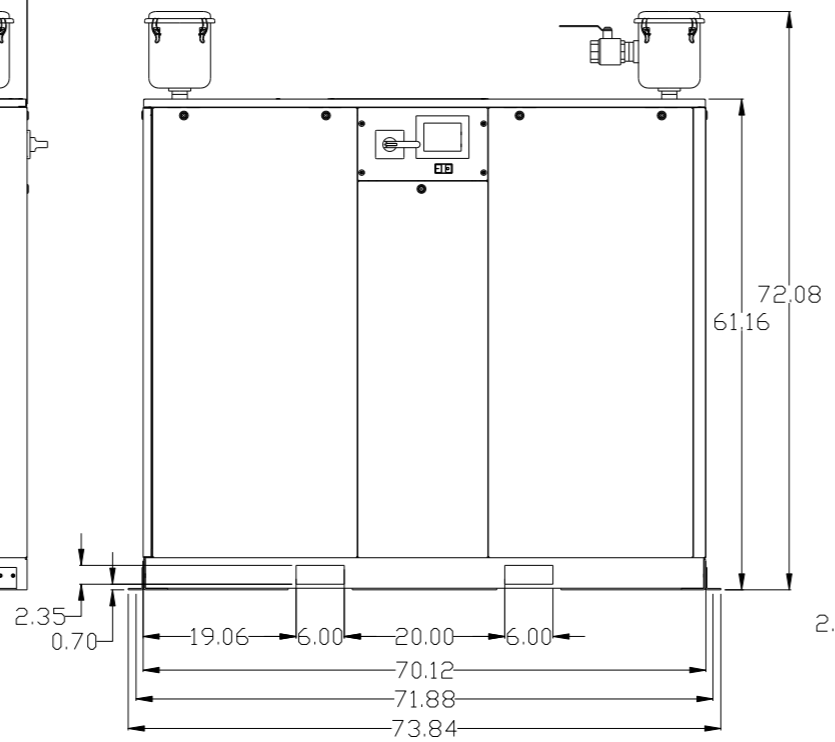
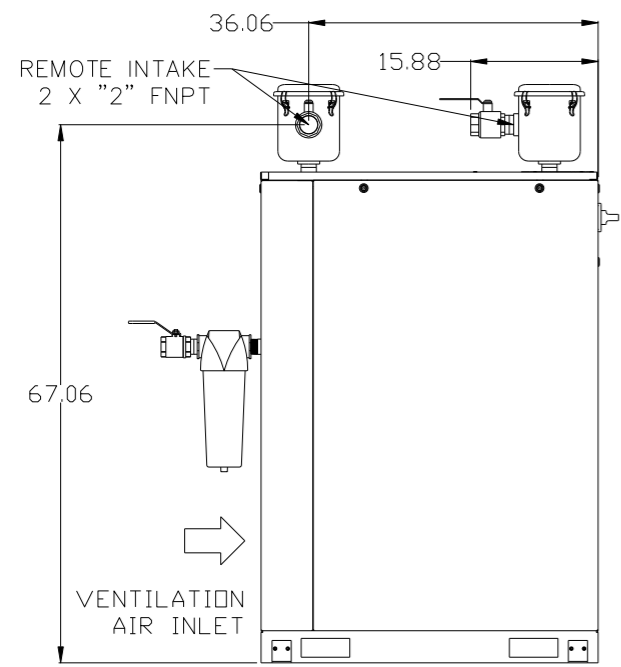
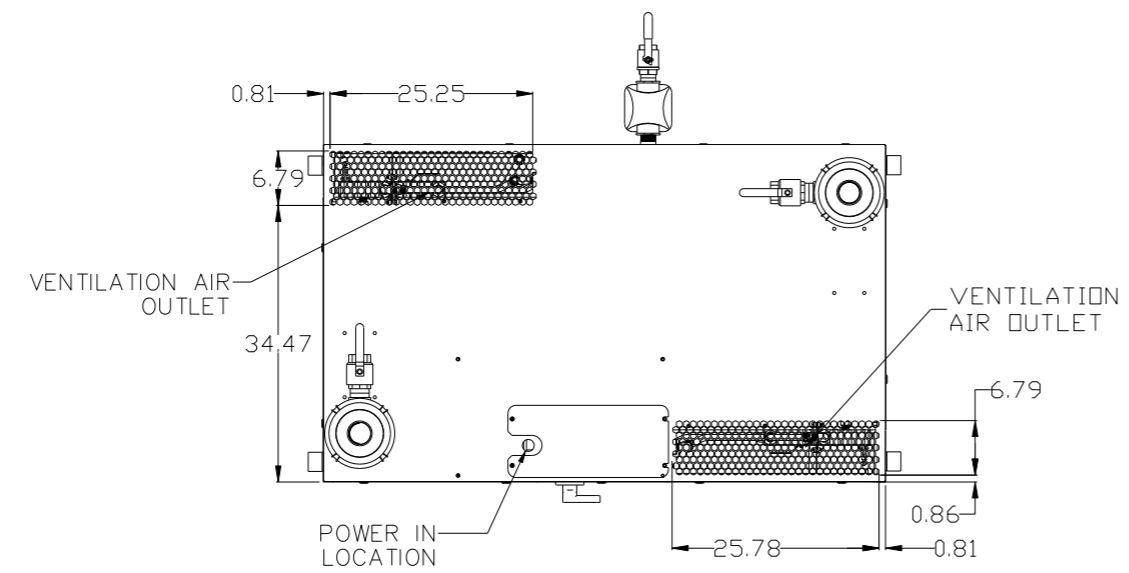


REV	ZONE	REVISION	DATE	ECN	NAME	CHKD
B-1	ALL	RELEASE TO PRODUCTION	12/8/16	PKEC0180	RK	JA
B-2	1ALL 3ALL 4ALL 5ALL	ADDED OUTLET SEPARATOR ADDED LINING TO TANK NOTE CHANGED TO NANO DRYERS CORRECTED FLOOR PLAN CORRECTED FLOW SCHEMATIC	2/2/17	PKEC0180	GES	JA

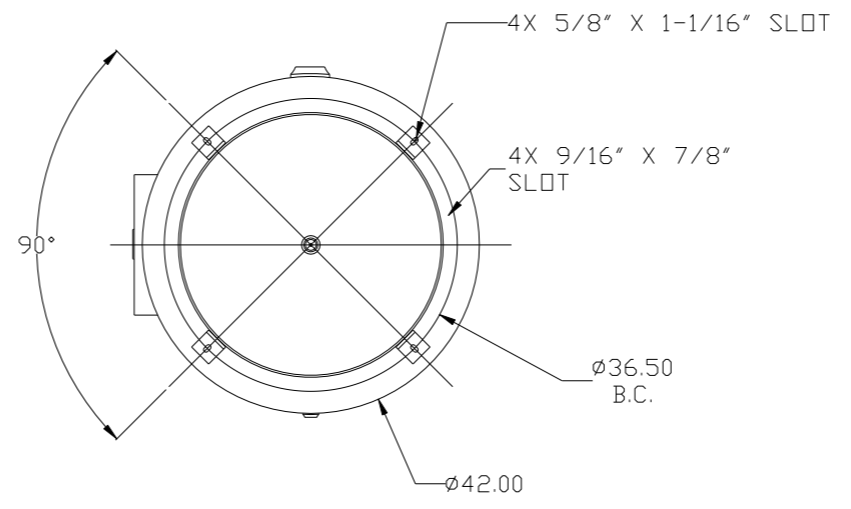
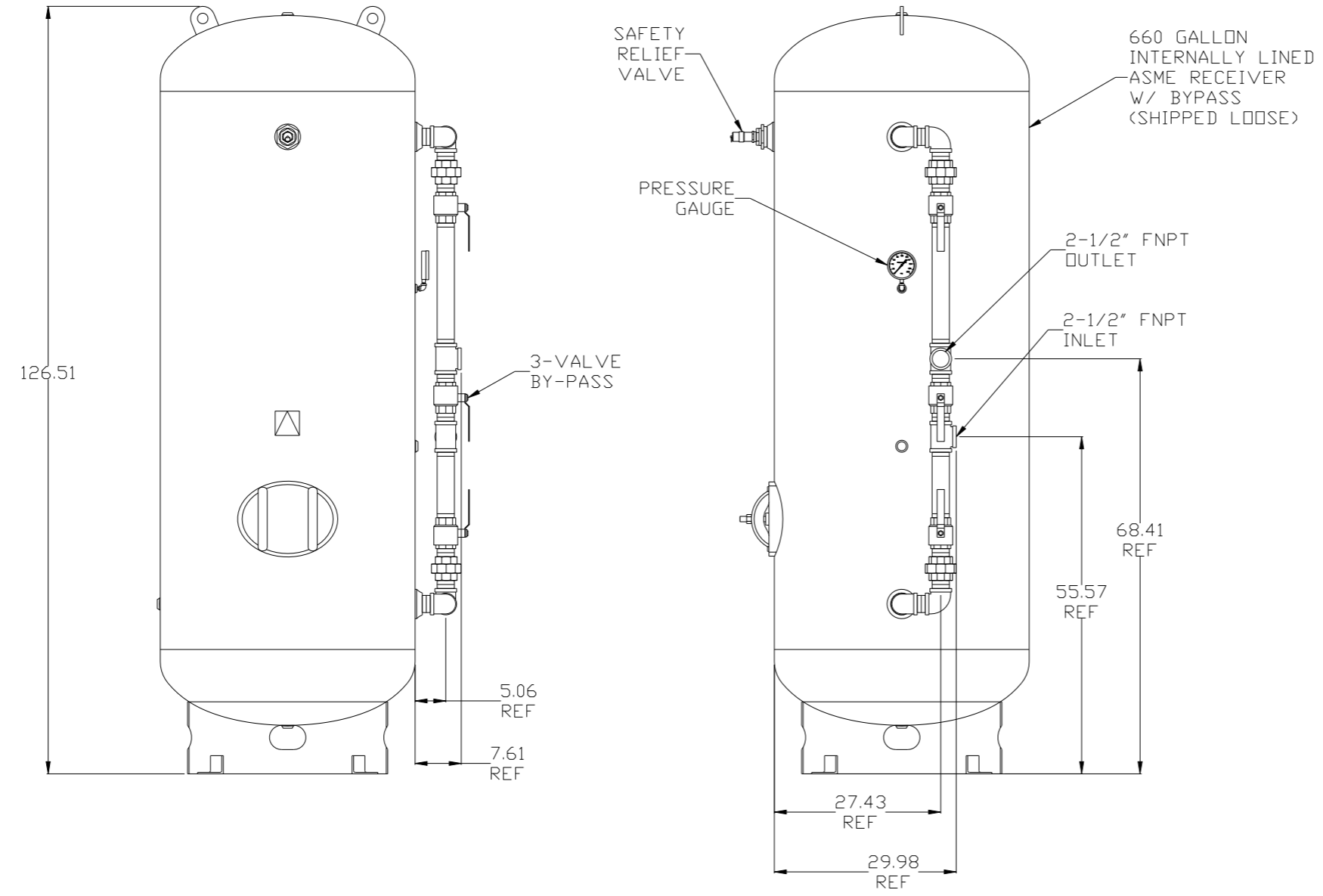


- NOTES:
- 1) SHEET 1 - SCROLL ENCLOSURE LAYOUT
SHEET 2 - RECEIVER LAYOUT
SHEET 3 - AIR TREATMENT LAYOUT
SHEET 4 - PLAN VIEW
SHEET 5 - FLOW SCHEMATIC
 - 2) INLET CONNECTIONS: 2" FNPT X 8.
 - 3) OUTLET CONNECTION: 2-1/2" FNPT X 1.
 - 4) POWER CONNECTION : EACH ENCLOSURE: 1- 230, OR 460 VOLT.
: ALTERNATION PANEL: 115V
 - 5) WHEN PACKAGE IS INSTALLED INTO THE FACILITY,
VERIFY THE INSTALLER REFERENCES
TABLE 110.26 (A) (1) FOR MINIMUM WORKING AREA.
 - 6.) DIRECTION OF THE INTAKE CONNECTIONS MAY BE MODIFIED
AT INSTALLATION BY ADJUSTING THE PIPE THREAD CONNECTIONS.

SYMBOL LEGEND		= ADDITIONAL CONTROL REQ'D		Drawings to conform to the current revision of the following ANSI standards:	
⊖	MINUS DRAFT	⊕	PLUS DRAFT	⊖	BRINELL HARDNESS
TOLERANCES NOT SPECIFIED		AUTOCAD LT 2014		DO NOT SCALE DRAWING FOR DIMENSIONS	
.XX ±	.XXX ±	INCH		Sheet 1 of 5	SCALE 1:12
CONFIDENTIAL DISCLOSURE This drawing is the property of POWEREX, INC. of the SCOTT FETZER COMPANY and subject to return on demand. Its contents are confidential and must not be copied or submitted to outside parties for use or examination.					
DRAWN BY		CHECKED BY		APPROVED BY	
RK		JA		JA CT	
12/8/16		12/8/16		12/8/16 12/8/16	
MATERIAL		N/A		 150 PRODUCTION DRIVE, HARRISON, OHIO 45030 Ph: 888-769-7979 FAX: (513) 367-3125	
PART NAME		MEDICAL SCROLL		SIZE D	
		45HP QUADPLEX		MSEQ45B8	

8 7 6 5 4 3 2 1

REV	ZONE	REVISION	DATE	ECN	NAME	CHKD
B-1	ALL	RELEASE TO PRODUCTION	12/8/16	PKEC0180	RK	JA
B-2	1ALL 3ALL 4ALL 5ALL	ADDED OUTLET SEPARATOR ADDED LINING TO TANK NOTE CHANGED TO NANO DRYERS CORRECTED FLOOR PLAN CORRECTED FLOW SCHEMATIC	2/2/17	PKEC0180	GES	JA



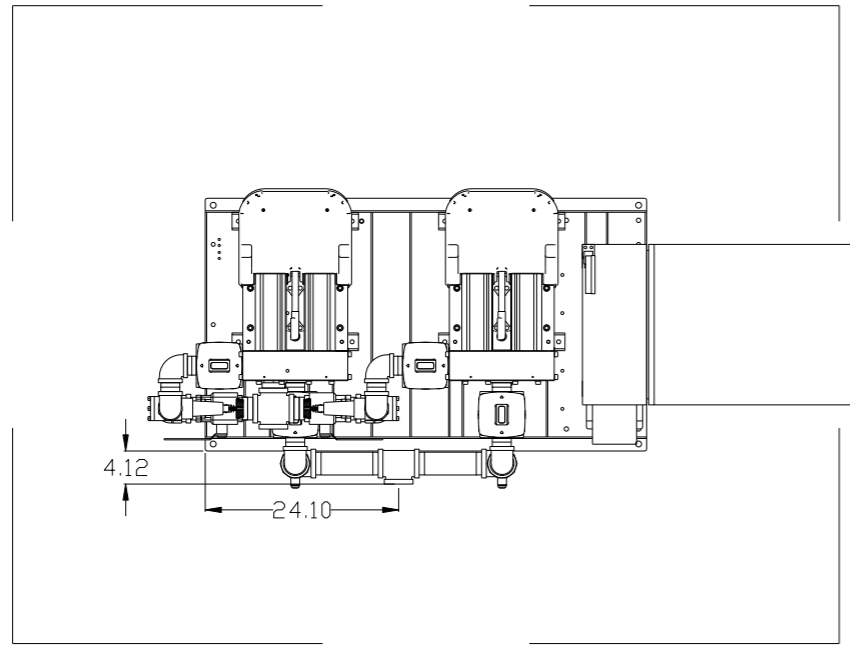
- NOTES:
- 1) SHEET 1 - SCROLL ENCLOSURE LAYOUT
SHEET 2 - RECEIVER LAYOUT
SHEET 3 - AIR TREATMENT LAYOUT
SHEET 4 - PLAN VIEW
SHEET 5 - FLOW SCHEMATIC
 - 2) INLET CONNECTIONS: 2" FNPT X 8.
 - 3) OUTLET CONNECTION: 2-1/2" FNPT X 1.
 - 4) POWER CONNECTION : EACH ENCLOSURE: 1- 230, OR 460 VOLT.
: ALTERNATION PANEL: 115V
 - 5) WHEN PACKAGE IS INSTALLED INTO THE FACILITY,
VERIFY THE INSTALLER REFERENCES
TABLE 110.26 (A) (1) FOR MINIMUM WORKING AREA.
 - 6.) DIRECTION OF THE INTAKE CONNECTIONS MAY BE MODIFIED
AT INSTALLATION BY ADJUSTING THE PIPE THREAD CONNECTIONS.

SYMBOL LEGEND ⊖ = MINUS DRAFT ⊕ = PLUS DRAFT HRC = BRINELL HARDNESS		= ADDITIONAL CONTROL REQ'D = BRINELL HARDNESS		Drawings to conform to the current revision of the following ANSI standards: Y14.3 Multi and sectional view dgs. Y14.5M Dimensioning and tolerancing	
TOLERANCES NOT SPECIFIED .XX ± .XXX ± <<DEG> ±		AUTOCAD LT 2014 INCH		DO NOT SCALE DRAWING FOR DIMENSIONS Sheet 2 of 5 SCALE 1:12	
CONFIDENTIAL DISCLOSURE This drawing is the property of POWEREX, INC. of the SCOTT FETZER COMPANY and subject to return on demand. Its contents are confidential and must not be copied or submitted to outside parties for use or examination.					
DRAWN BY: RK 12/8/16		CHECKED BY: JA 12/8/16		APPROVED BY: MFG/MRKTG: JA, CT 12/8/16, 12/8/16	
MATERIAL: N/A		 150 PRODUCTION DRIVE, HARRISON, OHIO 45030 Ph: 888-769-7979 FAX: (513) 367-3125			
PART NAME: MEDICAL SCROLL 45HP QUADPLEX		DWG NO: MSEQ45B8		SIZE: D	

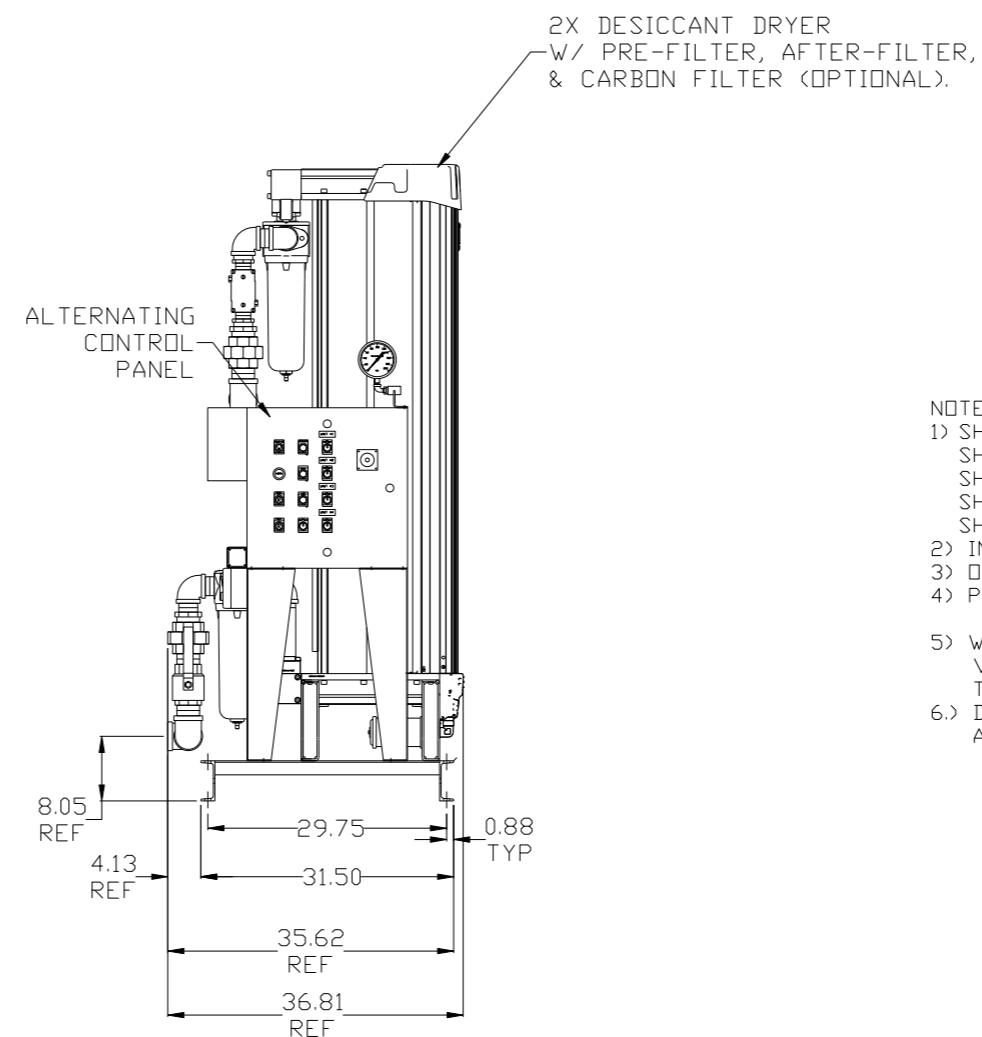
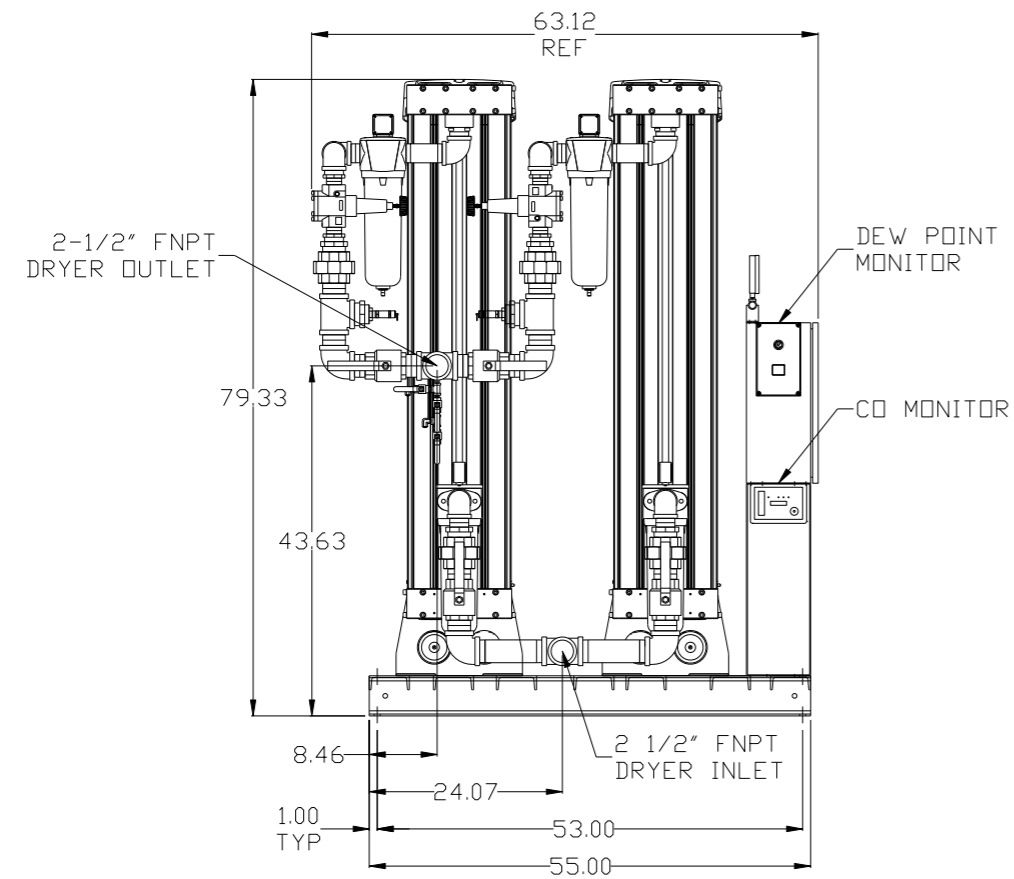
8 7 6 5 4 3 2 1

MSE04588.DWG

REV	ZONE	REVISION	DATE	ECN	NAME	CHKD
B-1	ALL	RELEASE TO PRODUCTION	12/8/16	PKE0180	RK	JA
B-2	1ALL 3ALL 4ALL 5ALL	ADDED OUTLET SEPARATOR ADDED LINING TO TANK NOTE CHANGED TO NANO DRYERS CORRECTED FLOOR PLAN CORRECTED FLOW SCHEMATIC	2/2/17	PKE0180	GES	JA



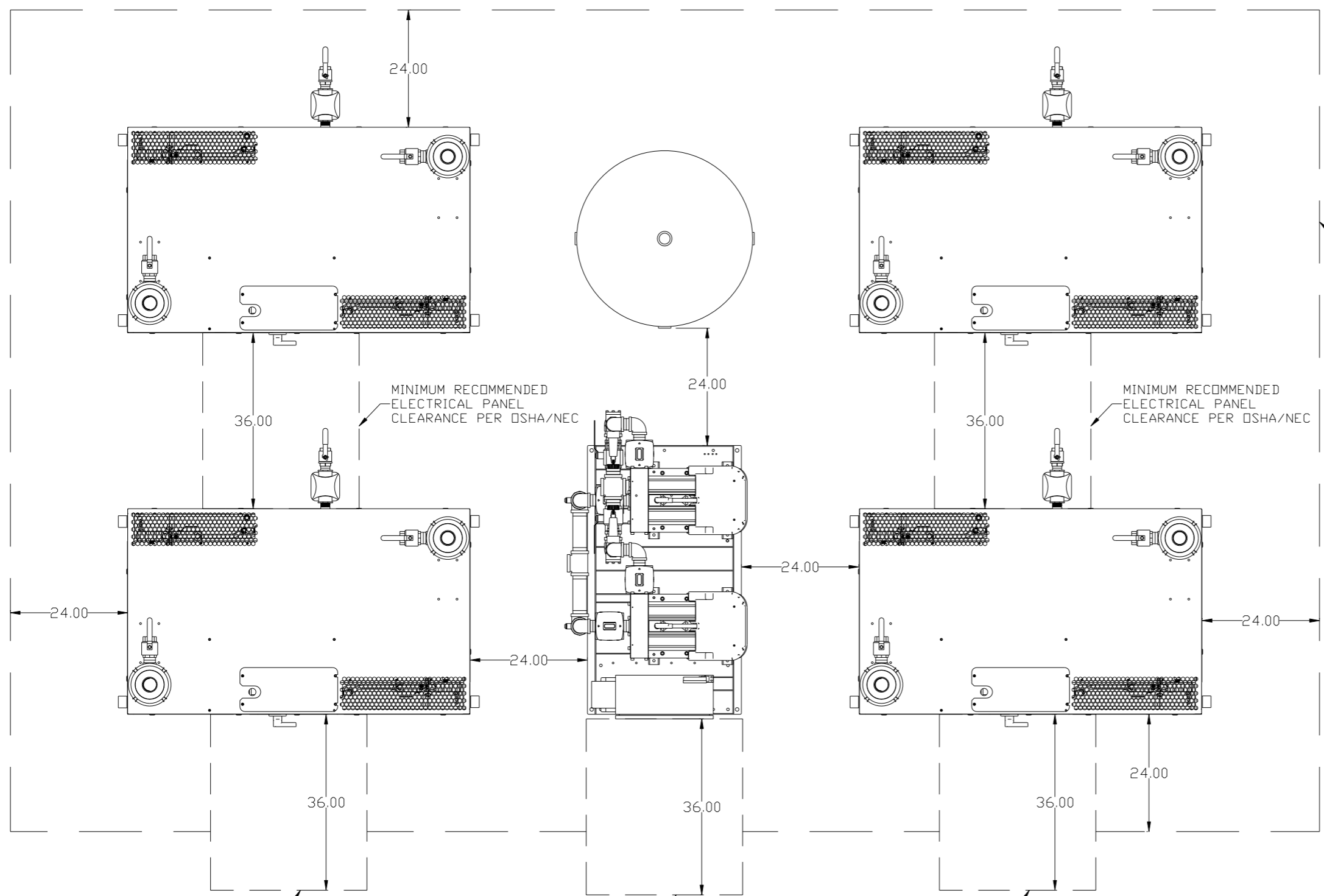
MINIMUM RECOMMENDED
ELECTRICAL PANEL
CLEARANCE PER OSHA/NEC



- NOTES:
- 1) SHEET 1 - SCROLL ENCLOSURE LAYOUT
SHEET 2 - RECEIVER LAYOUT
SHEET 3 - AIR TREATMENT LAYOUT
SHEET 4 - PLAN VIEW
SHEET 5 - FLOW SCHEMATIC
 - 2) INLET CONNECTIONS: 2" FNPT X 8.
 - 3) OUTLET CONNECTION: 2-1/2" FNPT X 1.
 - 4) POWER CONNECTION : EACH ENCLOSURE: 1- 230, OR 460 VOLT.
: ALTERNATION PANEL: 115V
 - 5) WHEN PACKAGE IS INSTALLED INTO THE FACILITY,
VERIFY THE INSTALLER REFERENCES
TABLE 110.26 (A) (1) FOR MINIMUM WORKING AREA.
 - 6.) DIRECTION OF THE INTAKE CONNECTIONS MAY BE MODIFIED
AT INSTALLATION BY ADJUSTING THE PIPE THREAD CONNECTIONS.

SYMBOL LEGEND ⊖ = MINUS DRAFT ⊕ = PLUS DRAFT .XX ± .XXX ± \angle (DEG) ±		= ADDITIONAL CONTROL REQ'D = BRINELL HARDNESS		Drawings to conform to the current revision of the following ANSI standards: Y14.3 Multi and sectional view dgs. Y14.5M Dimensioning and tolerancing	
TOLERANCES NOT SPECIFIED .XX ± .XXX ± \angle (DEG) ±		AUTOCAD LT 2014 INCH		DO NOT SCALE DRAWING FOR DIMENSIONS Sheet 3 of 5 SCALE 1:12	
CONFIDENTIAL DISCLOSURE This drawing is the property of POWEREX, INC. of the SCOTT FETZER COMPANY and subject to return on demand. Its contents are confidential and must not be copied or submitted to outside parties for use or examination.					
MATERIAL N/A		DRAWN BY RK		CHECKED BY JA	
PART NAME MEDICAL SCROLL 45HP QUADPLEX		APPROVED BY ENGINEERING MFG/MKTG JA CT		DATE 12/8/16 12/8/16 12/8/16 12/8/16	
DWG NO MSEQ45B8				SIZE D	

REV	ZONE	REVISION	DATE	ECN	NAME	CHKD
B-1	ALL	RELEASE TO PRODUCTION	12/8/16	PKEC0180	RK	JA
B-2	1ALL 3ALL 4ALL 5ALL	ADDED OUTLET SEPARATOR ADDED LINING TO TANK NOTE CHANGED TO NANO DRYERS CORRECTED FLOOR PLAN CORRECTED FLOW SCHEMATIC	2/2/17	PKEC0180	GES	JA



MINIMUM RECOMMENDED MAINTENANCE CLEARANCE

MINIMUM RECOMMENDED ELECTRICAL PANEL CLEARANCE PER OSHA/NEC

MINIMUM RECOMMENDED ELECTRICAL PANEL CLEARANCE PER OSHA/NEC

MINIMUM RECOMMENDED ELECTRICAL PANEL CLEARANCE PER OSHA/NEC

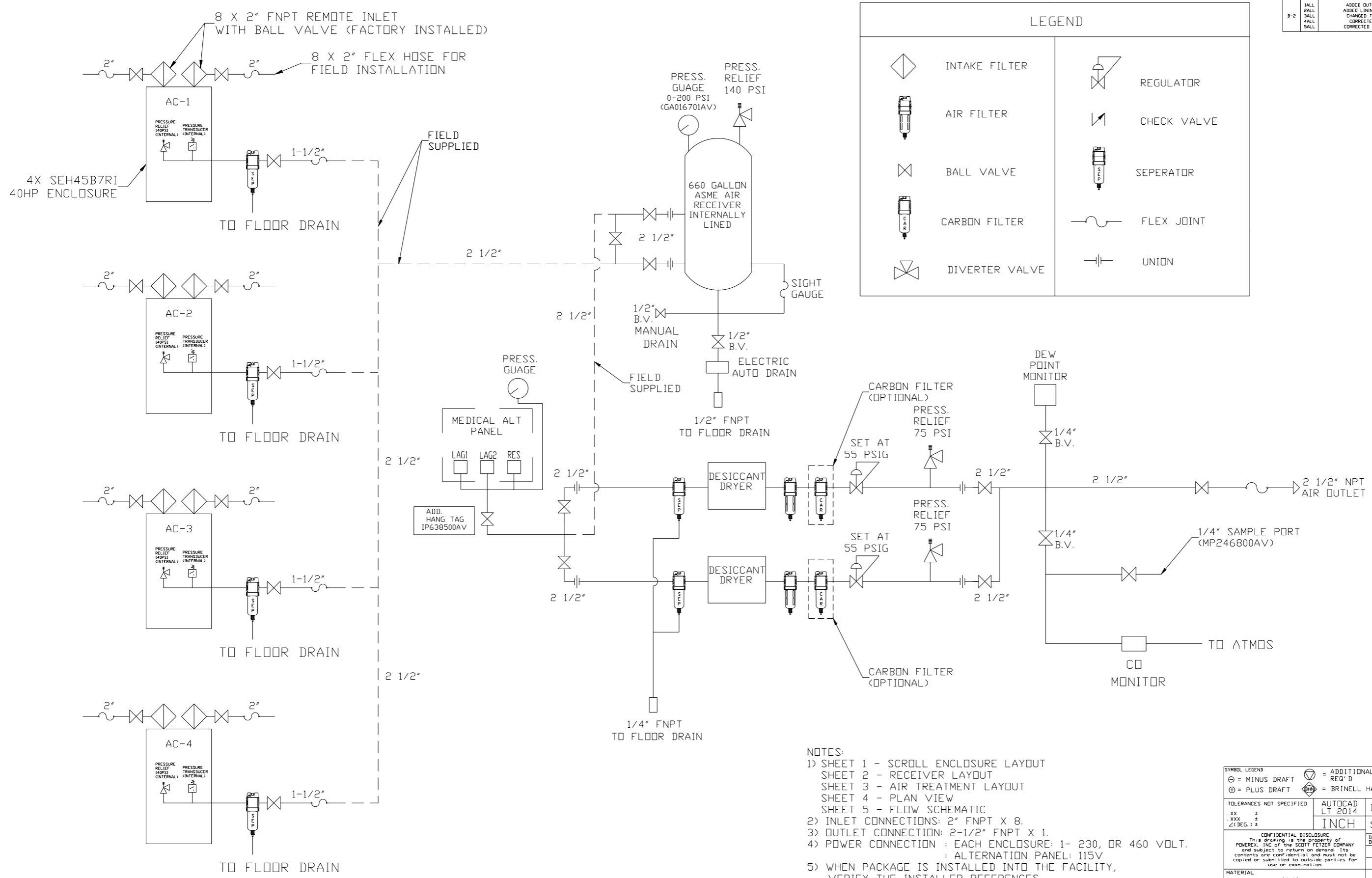
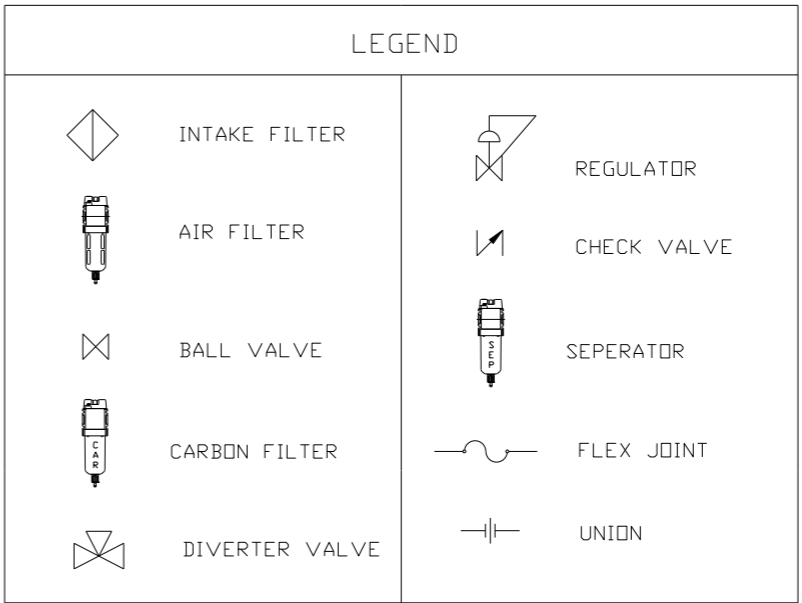
MINIMUM RECOMMENDED ELECTRICAL PANEL CLEARANCE PER OSHA/NEC

MINIMUM RECOMMENDED ELECTRICAL PANEL CLEARANCE PER OSHA/NEC

- NOTES:
- 1) SHEET 1 - SCROLL ENCLOSURE LAYOUT
SHEET 2 - RECEIVER LAYOUT
SHEET 3 - AIR TREATMENT LAYOUT
SHEET 4 - PLAN VIEW
SHEET 5 - FLOW SCHEMATIC
 - 2) INLET CONNECTIONS: 2" FNPT X 8.
 - 3) OUTLET CONNECTION: 2-1/2" FNPT X 1.
 - 4) POWER CONNECTION : EACH ENCLOSURE: 1- 230, OR 460 VOLT.
: ALTERNATION PANEL: 115V
 - 5) WHEN PACKAGE IS INSTALLED INTO THE FACILITY, VERIFY THE INSTALLER REFERENCES TABLE 110.26 (A) (1) FOR MINIMUM WORKING AREA.
 - 6.) DIRECTION OF THE INTAKE CONNECTIONS MAY BE MODIFIED AT INSTALLATION BY ADJUSTING THE PIPE THREAD CONNECTIONS.

SYMBOL LEGEND ⊖ = MINUS DRAFT ⊕ = PLUS DRAFT ⊕ = ADDITIONAL CONTROL REQ'D HRC = BRINELL HARDNESS		Drawings to conform to the current revision of the following ANSI standards: Y14.3 Multi and sectional view dgs. Y14.5M Dimensioning and tolerancing	
TOLERANCES NOT SPECIFIED .XX ± .XXX ± <DEG> ±		AUTOCAD LT 2014 INCH DO NOT SCALE DRAWING FOR DIMENSIONS Sheet 4 of 5 SCALE 1:12	
CONFIDENTIAL DISCLOSURE This drawing is the property of POWEREX, INC. of the SCOTT FETZER COMPANY and subject to return on demand. Its contents are confidential and must not be copied or submitted to outside parties for use or examination.			
DRAWN BY: RK CHECKED BY: JA 12/8/16		APPROVED BY: ENGINEERING MFG/MKTG JA CT 12/8/16 12/8/16 12/8/16 12/8/16	
MATERIAL: N/A		 150 PRODUCTION DRIVE, HARRISON, OHIO 45030 Ph: 888-769-7979 FAX: (513) 367-3125	
PART NAME: MEDICAL SCROLL 45HP QUADPLEX		DWG NO: MSEQ45B8 SIZE: D	

REV	ZONE	REVISION	DATE	ECN	NAME	CHKD
B-1	ALL	RELEASE TO PRODUCTION	12/8/16	PREC010	RK	JA
B-2	ALL	ADDED OUTLET SEPARATOR ADDED LINING TO TANK NOTE CHANGED TO NANO DRYERS CORRECTED FLOOR PLAN CORRECTED FLOW SCHEMATIC	2/2/17	PREC010	GES	JA



- NOTES:**
- 1) SHEET 1 - SCROLL ENCLOSURE LAYOUT
SHEET 2 - RECEIVER LAYOUT
SHEET 3 - AIR TREATMENT LAYOUT
SHEET 4 - PLAN VIEW
SHEET 5 - FLOW SCHEMATIC
 - 2) INLET CONNECTIONS: 2" FNPT X 8.
 - 3) OUTLET CONNECTION: 2-1/2" FNPT X 1.
 - 4) POWER CONNECTION : EACH ENCLOSURE: 1- 230, OR 460 VOLT.
: ALTERNATION PANEL: 115V
 - 5) WHEN PACKAGE IS INSTALLED INTO THE FACILITY,
VERIFY THE INSTALLER REFERENCES
TABLE 110.26 (A) (1) FOR MINIMUM WORKING AREA.
 - 6.) DIRECTION OF THE INTAKE CONNECTIONS MAY BE MODIFIED
AT INSTALLATION BY ADJUSTING THE PIPE THREAD CONNECTIONS.

SYMBOL LEGEND		= ADDITIONAL CONTROL REQ'D		Drawings to conform to the current revision of the following ANSI standards:	
= MINUS DRAFT		= BRINELL HARDNESS		Y14.3 Multi and sectional view dgs. Y14.5M Dimensioning and tolerancing	
= PLUS DRAFT					
TOLERANCES NOT SPECIFIED		AUTOCAD LT 2014		DO NOT SCALE DRAWING FOR DIMENSIONS	
.XX ±		INCH		Sheet 5 of 5	
.XXX ±				SCALE 1:12	
\angle(DEG) ±					
CONFIDENTIAL DISCLOSURE This drawing is the property of POWEREX, INC. of the SCOTT FETZER COMPANY and subject to return on demand. Its contents are confidential and must not be copied or submitted to outside parties for use or examination.					
DRAWN BY		CHECKED BY		APPROVED BY	
RK		JA		MFG/MRKTG	
12/8/16		12/8/16		12/8/16 12/8/16	
MATERIAL N/A					
PART NAME MEDICAL SCROLL					
45HP QUADPLEX					
DRAWING NO. MSEQ45B8					
SIZE D					