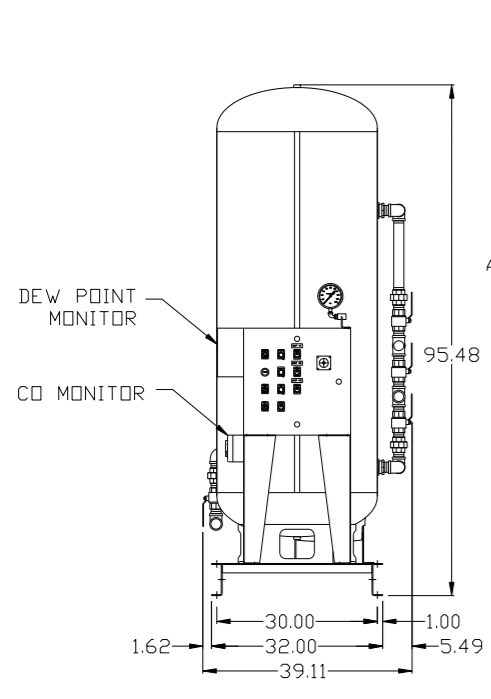
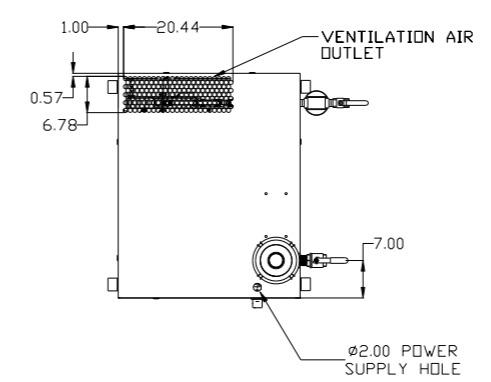
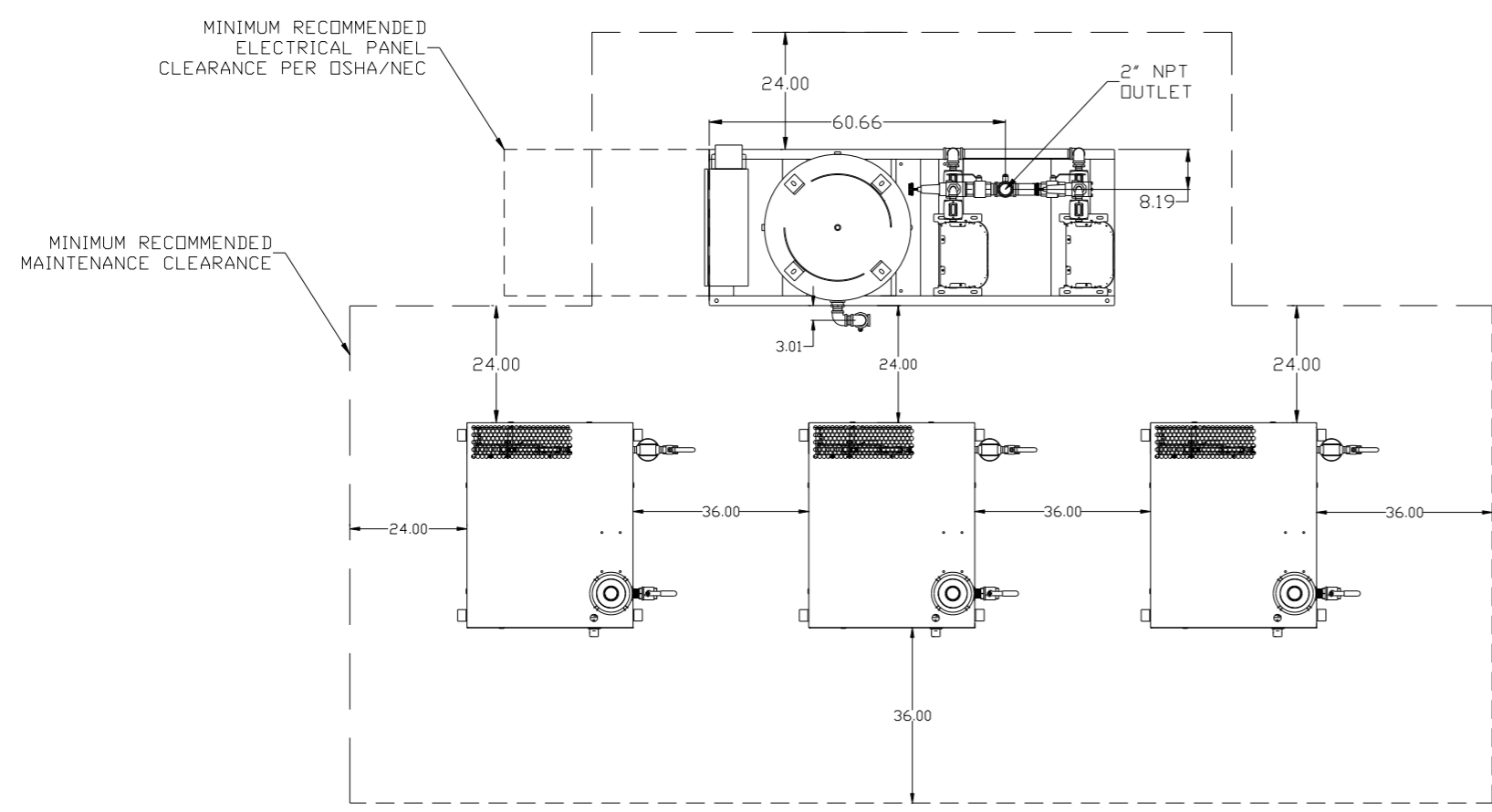
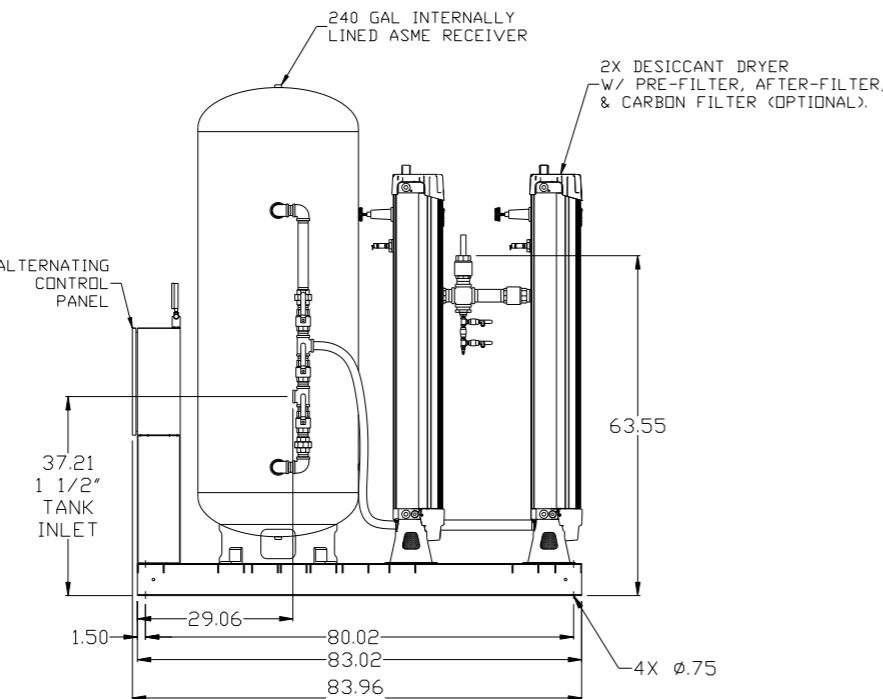


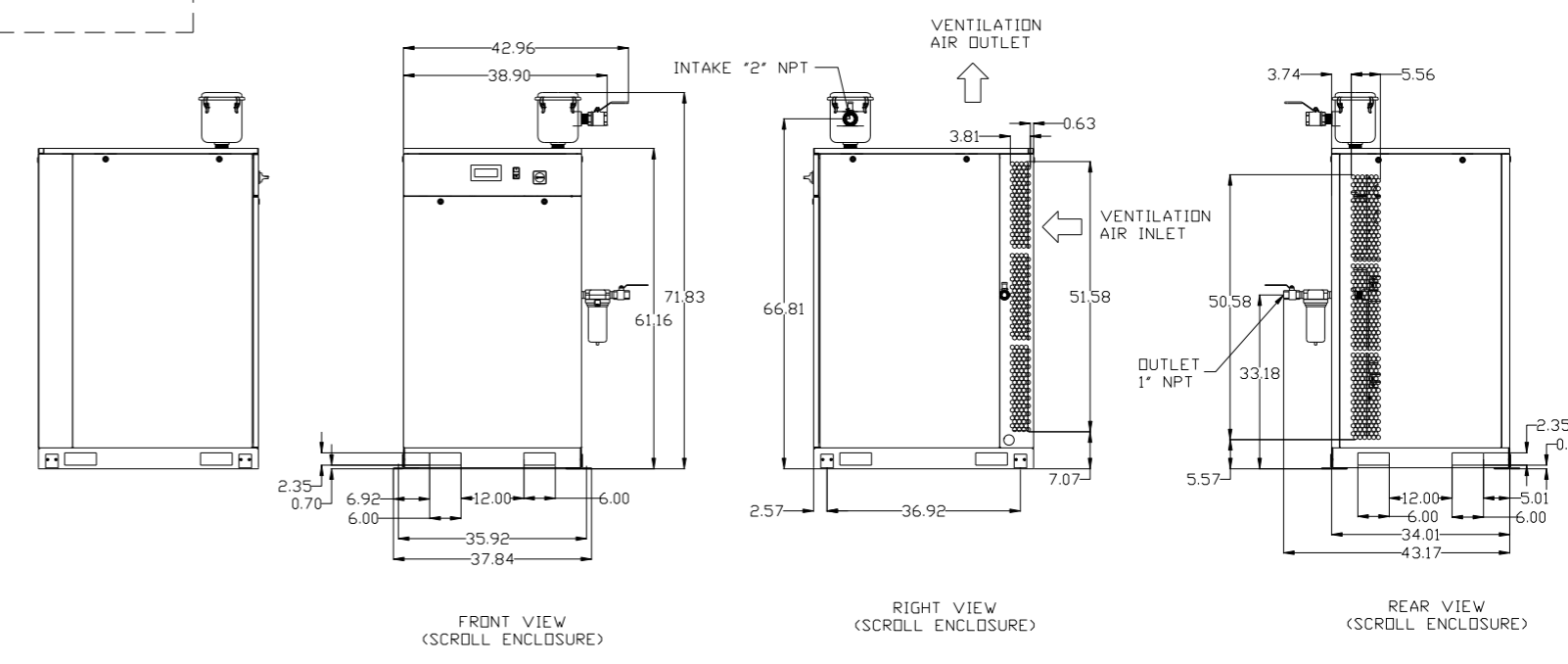
REV	ZONE	REVISION	DATE	ECN	NAME	CHKD
B-1	ALL	RELEASE TO PRODUCTION	12/8/16	PXC0180	RK	JA
B-2	ALL	ADDED SEP. CORR ALT PNL DRYER AND NDITES CORRECTED FLOW	1/26/17	PXC0180	GES	JA
C-1	1+8&+	ADDED TANK BY-PASS PLUMBING	6/20/18	PXC0289	GES	DMS



FRONT VIEW
(TANK/DRYER SKID)



RIGHT VIEW
(TANK/DRYER SKID)



FRONT VIEW
(SCROLL ENCLOSURE)

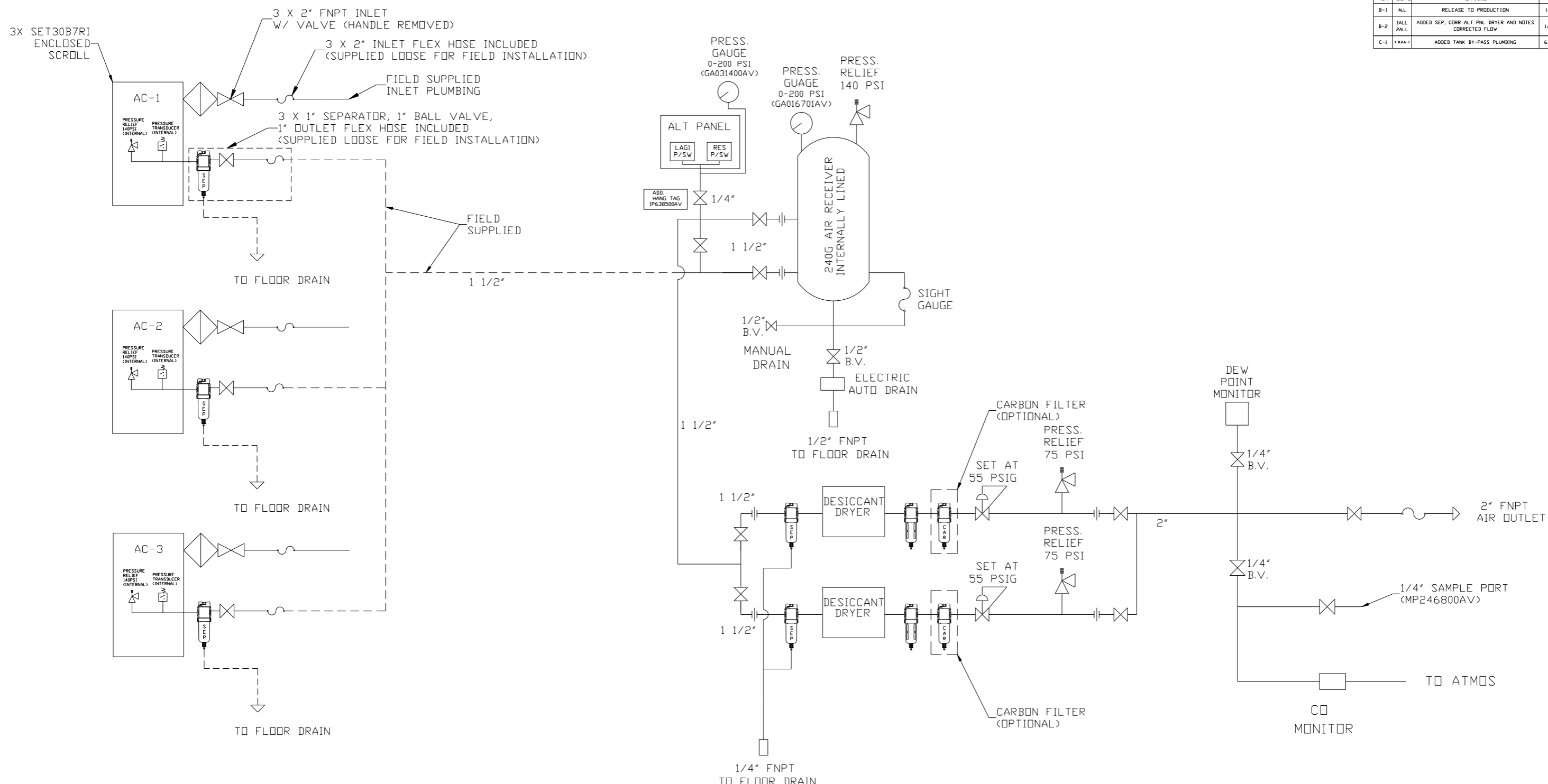
RIGHT VIEW
(SCROLL ENCLOSURE)

REAR VIEW
(SCROLL ENCLOSURE)

- NOTES:
- 1) SHEET 1, UNIT LAYOUT.
 - 2) SHEET 2, UNIT FLOW SCHEMATIC.
 - 3) INLET CONNECTIONS: 2" FNPT X 3.
 - 4) SYSTEM OUTLET CONNECTION: 2" FNPT X 1.
 - 5) POWER CONNECTION EACH ENCLOSURE : 1-230, OR 460 VOLT, ALTERNATION PANEL: 115V
 - 6) WHEN PACKAGE IS INSTALLED INTO THE FACILITY, MAKE SURE THAT THE INSTALLER REFERENCES TABLE 110.26 (A) (1) FOR MINIMUM WORKING AREA.
 - 7) DIRECTION OF INTAKE CONNECTIONS MAY BE MODIFIED AT INSTALLATION BY ADJUSTING PIPE THREAD CONNECTIONS.

SYMBOL LEGEND		= ADDITIONAL CONTROL REQ'D		Drawings to conform to the current revision of the following ANSI standards:	
⊖	MINUS DRAFT	⊕	PLUS DRAFT	⊖	ANSI Y14.3 Multi and sectional view dgs.
⊕	PLUS DRAFT	⊖	MINUS DRAFT	⊖	ANSI Y14.5M Dimensioning and tolerancing
TOLERANCES NOT SPECIFIED		AUTOCAD LT 2014		DO NOT SCALE DRAWING FOR DIMENSIONS	
.XX	± .010	INCH		Sheet 1 of 2	
.XXX	± .005			SCALE 1:18	
<DEG>	± 5°				
CONFIDENTIAL DISCLOSURE					
This drawing is the property of POWEREX, INC. OF THE SCOTT FETZER COMPANY and subject to return on demand. Its contents are confidential and must not be copied or submitted to outside parties for use or examination.					
DRAWN BY		CHECKED BY	APPROVED BY		DATE
RK		JA	JA		CT
12/8/16		12/8/16	12/8/16		12/8/16
MATERIAL N/A					
PART NAME					
MEDICAL SCROLL					
30HP TRIPLEX					
DWG NO				SIZE	
MSET30B6				D	
MSET30B6.DWG					

REV	ZONE	REVISION	DATE	ECN	NAME	CHKD
B-1	ALL	RELEASE TO PRODUCTION	12/8/16	PXC0180	RK	JA
B-2	ALL	ADDED SEP. CORR. ALT. PNL. DRYER AND NOTES CORRECTED FLOW	1/26/17	PXC0180	GES	JA
C-1	1+8&7	ADDED TANK BY-PASS PLUMBING	6/20/18	PXC0289	GES	DMS



LEGEND	
	INTAKE FILTER
	AIR FILTER
	BALL VALVE
	CARBON FILTER
	DIVERTER VALVE
	REGULATOR
	CHECK VALVE
	SEPERATOR
	FLEX JOINT
	UNION

- NOTES:
- 1) SHEET 1, UNIT LAYOUT.
 - 2) SHEET 2, UNIT FLOW SCHEMATIC.
 - 3) INLET CONNECTIONS: 2" FNPT X 3.
 - 4) SYSTEM OUTLET CONNECTION: 2" FNPT X 1.
 - 5) POWER CONNECTION EACH ENCLOSURE : 1-230, OR 460 VOLT, ALTERNATION PANEL: 115V
 - 6) WHEN PACKAGE IS INSTALLED INTO THE FACILITY, MAKE SURE THAT THE INSTALLER REFERENCES TABLE 110.26 (A) (1) FOR MINIMUM WORKING AREA.
 - 7) DIRECTION OF INTAKE CONNECTIONS MAY BE MODIFIED AT INSTALLATION BY ADJUSTING PIPE THREAD CONNECTIONS.

SYMBOL LEGEND		TOLERANCES NOT SPECIFIED		AUTOCAD LT 2014		DO NOT SCALE DRAWING FOR DIMENSIONS	
	MINUS DRAFT	.XX	± .010	INCH	Sheet 2 of 2	SCALE	1:18
	PLUS DRAFT	.XXX	± .005				
	ADDITIONAL CONTROL REQ'D	<DEG	± .5"				
	BRINELL HARDNESS	Drawings to conform to the current revision of the following ANSI standards: Y14.3 Multi and sectional view dsgs, Y14.5M Dimensioning and tolerancing					
CONFIDENTIAL DISCLOSURE: This drawing is the property of POWEREX, INC. of the SCOTT FETZER COMPANY and subject to return on demand. Its contents are confidential and must not be copied or submitted to outside parties for use or examination.		DRAWN BY		CHECKED BY		APPROVED BY	
		RK		JA		JA CT	
		12/8/16		12/8/16		12/8/16 12/8/16	
MATERIAL		N/A					
PART NAME		ENCLOSED SCROLL FLOW SCHEMATIC					
DWG NO		MSET30B6				SIZE D	