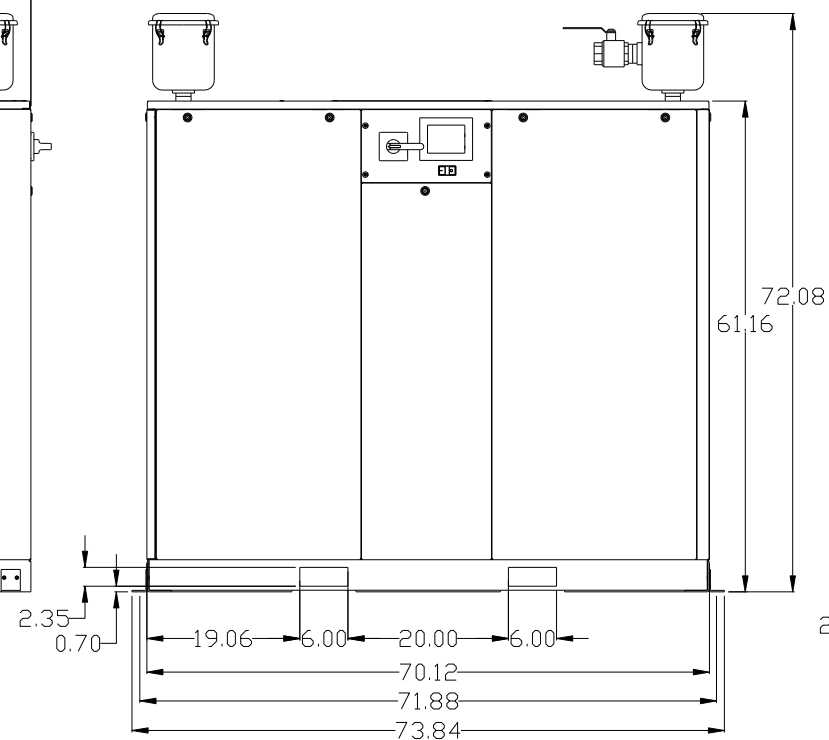
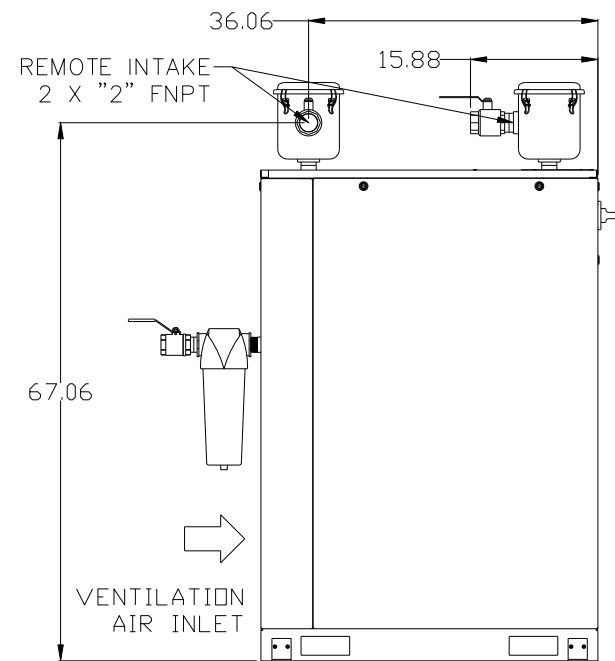
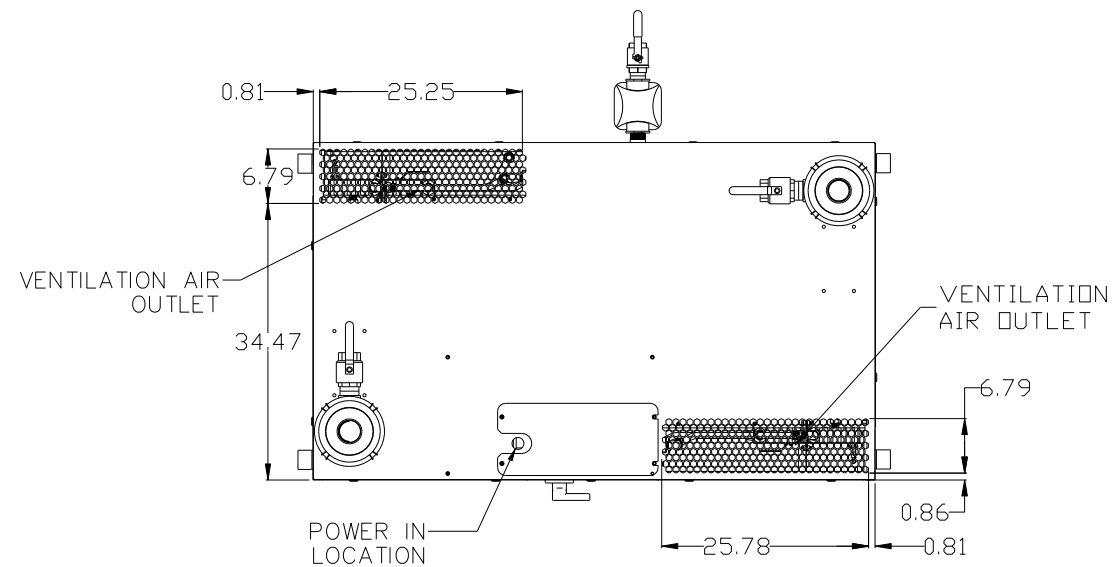
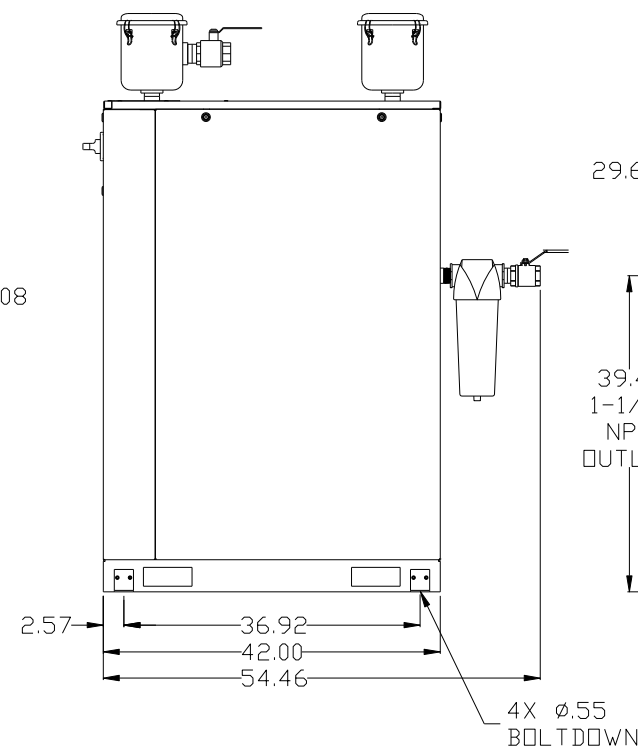


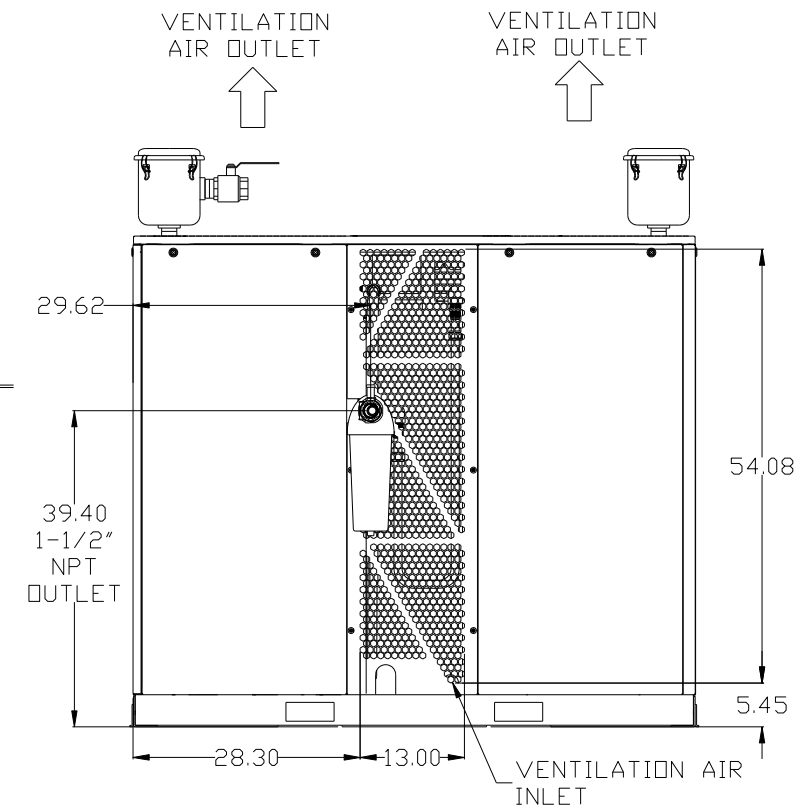
REV	ZONE	REVISION	DATE	ECN	NAME	CHKD
B-1	ALL	RELEASE TO PRODUCTION	12/8/16	PKEC0180	RK	JA
B-2	1ALL 2ALL 3ALL 4ALL 5ALL	ADDED OUTLET SEPARATOR ADDED LINING TO TANK NOTE CHANGED TO NANO DRYERS CORRECTED FLOOR PLAN CORRECTED FLOW SCHEMATIC	2/1/17	PKEC0180	GES	JA



FRONT VIEW
(SCROLL ENCLOSURE)



RIGHT VIEW
(SCROLL ENCLOSURE)



REAR VIEW
(SCROLL ENCLOSURE)

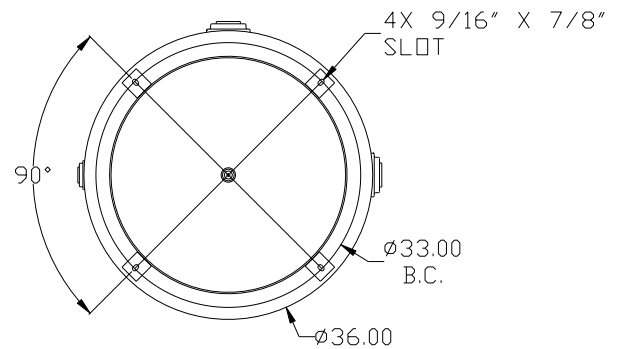
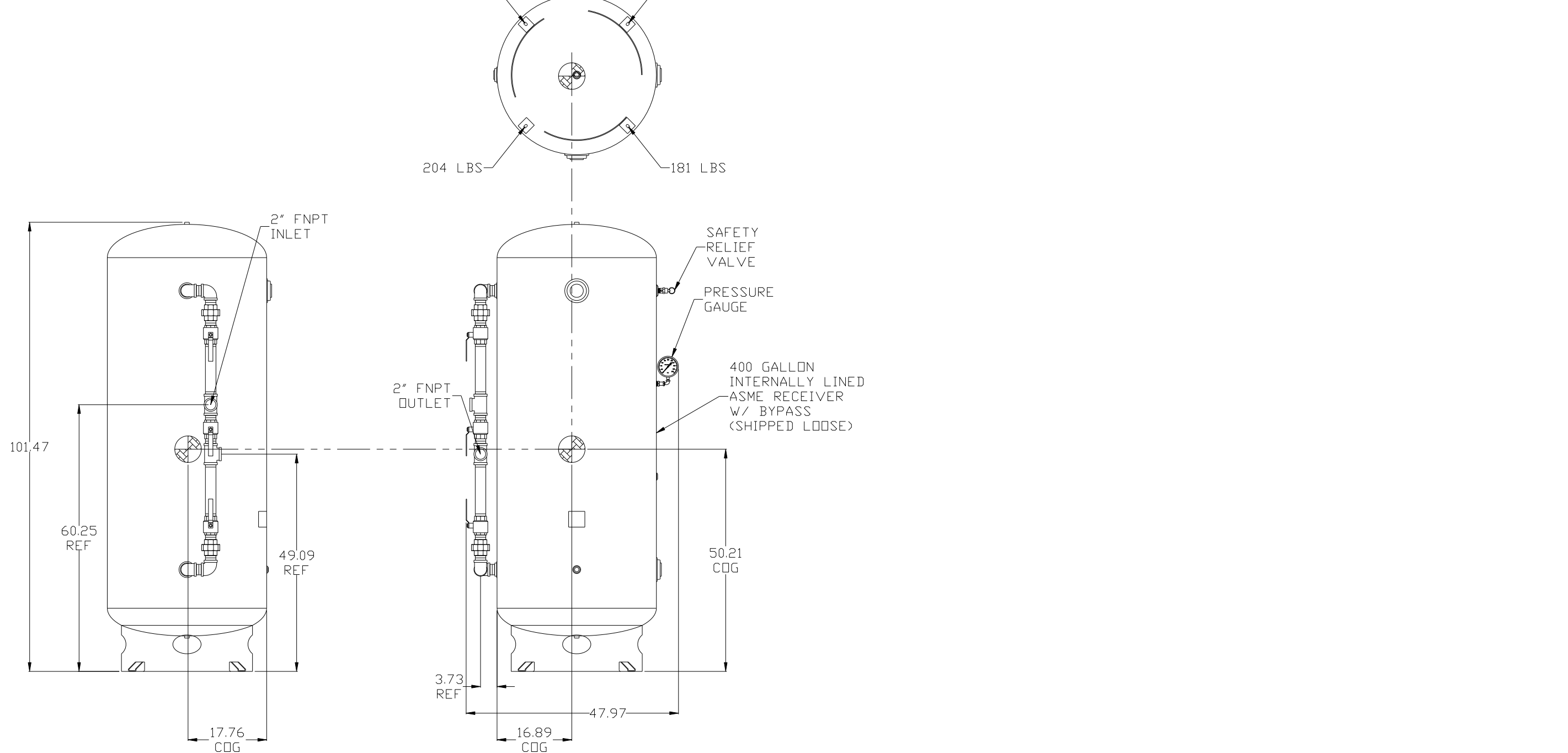
NOTES:

- 1) SHEET 1 - SCROLL ENCLOSURE LAYOUT
SHEET 2 - RECEIVER LAYOUT
SHEET 3 - AIR TREATMENT LAYOUT
SHEET 4 - PLAN VIEW
SHEET 5 - FLOW SCHEMATIC
- 2) INLET CONNECTIONS: 2" FNPT X 6.
- 3) OUTLET CONNECTION: 2-1/2" FNPT X 1.
- 4) POWER CONNECTION : EACH ENCLOSURE: 1- 230, OR 460 VOLT.
: ALTERNATION PANEL: 115V
- 5) WHEN PACKAGE IS INSTALLED INTO THE FACILITY,
VERIFY THE INSTALLER REFERENCES
TABLE 110.26 (A) (1) FOR MINIMUM WORKING AREA.
- 6.) DIRECTION OF THE INTAKE CONNECTIONS MAY BE MODIFIED
AT INSTALLATION BY ADJUSTING THE PIPE THREAD CONNECTIONS.

SYMBOL LEGEND		= ADDITIONAL CONTROL REQ'D		Drawings to conform to the current revision of the following ANSI standards:	
⊖	MINUS DRAFT	⊕	PLUS DRAFT	⊖	BRINELL HARDNESS
TOLERANCES NOT SPECIFIED		AUTOCAD LT 2014		DO NOT SCALE DRAWING FOR DIMENSIONS	
.XX ±	.XXX ±	INCH		Sheet 1 of 5	SCALE 1:12
CONFIDENTIAL DISCLOSURE This drawing is the property of POWEREX, INC. of the SCOTT FETZER COMPANY and subject to return on demand. Its contents are confidential and must not be copied or submitted to outside parties for use or examination.					
DRAWN BY		CHECKED BY		APPROVED BY	
RK		JA		JA CT	
12/8/16		12/8/16		12/8/16 12/8/16	
MATERIAL		N/A		 150 PRODUCTION DRIVE, HARRISON, OHIO 45030 Ph: 888-769-7979 FAX: (513) 367-3125	
PART NAME		MEDICAL SCROLL		SIZE	
60HP TRIPLEX		MSET60B7		D	

REV	ZONE	REVISION	DATE	ECN	NAME	CHKD
B-1	ALL	RELEASE TO PRODUCTION	12/8/16	PKEC0180	RK	JA
B-2	1ALL 3ALL 4ALL 5ALL	ADDED OUTLET SEPARATOR ADDED LINING TO TANK NOTE CHANGED TO NANO DRYERS CORRECTED FLOOR PLAN CORRECTED FLOW SCHEMATIC	2/1/17	PKEC0180	GES	JA

8 7 6 5 4 3 2 1



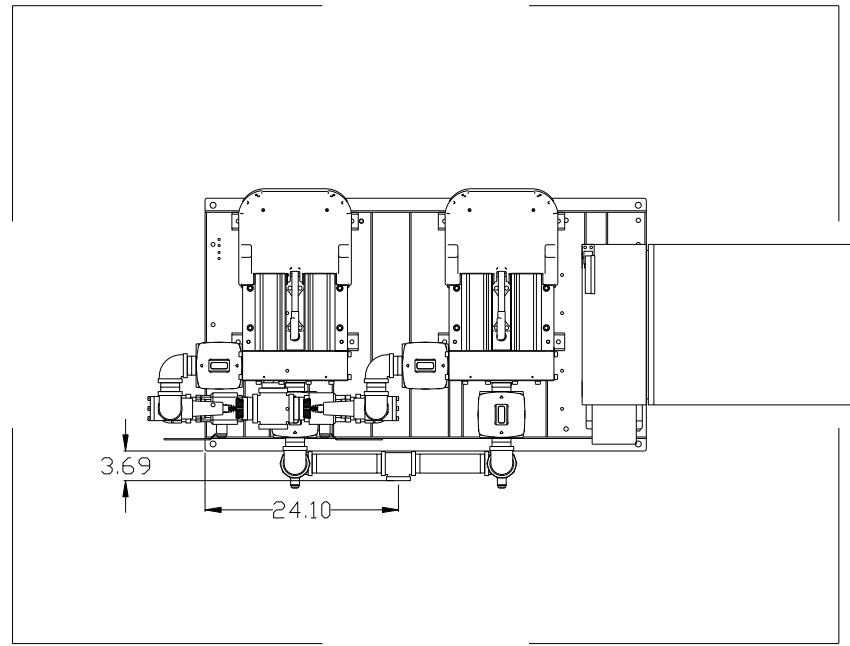
- NOTES:
- 1) SHEET 1 - SCROLL ENCLOSURE LAYOUT
SHEET 2 - RECEIVER LAYOUT
SHEET 3 - AIR TREATMENT LAYOUT
SHEET 4 - PLAN VIEW
SHEET 5 - FLOW SCHEMATIC
 - 2) INLET CONNECTIONS: 2" FNPT X 6.
 - 3) OUTLET CONNECTION: 2-1/2" FNPT X 1.
 - 4) POWER CONNECTION : EACH ENCLOSURE: 1- 230, OR 460 VOLT.
: ALTERNATION PANEL: 115V
 - 5) WHEN PACKAGE IS INSTALLED INTO THE FACILITY, VERIFY THE INSTALLER REFERENCES TABLE 110.26 (A) (1) FOR MINIMUM WORKING AREA.
 - 6.) DIRECTION OF THE INTAKE CONNECTIONS MAY BE MODIFIED AT INSTALLATION BY ADJUSTING THE PIPE THREAD CONNECTIONS.

⊙ INDICATES CENTER OF GRAVITY
RECEIVER WEIGHT - 780 LBS

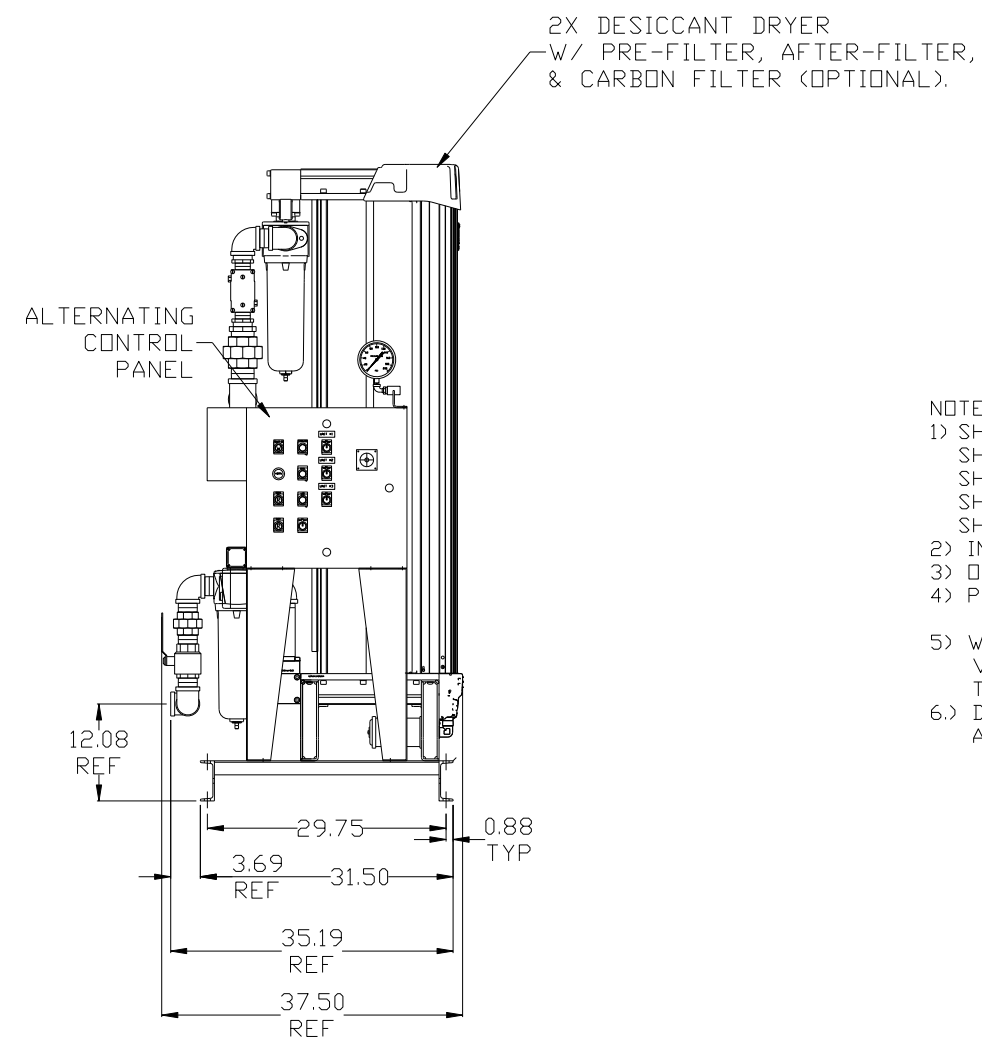
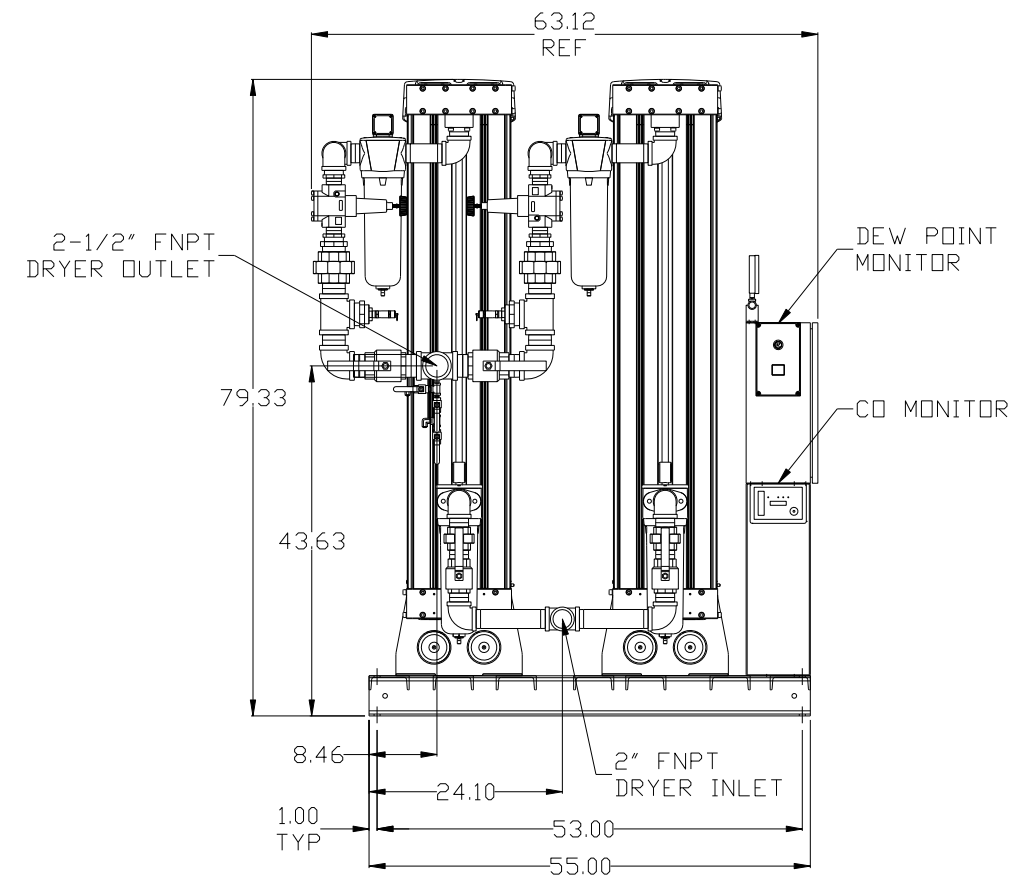
SYMBOL LEGEND		AUTOCAD LT 2014		DO NOT SCALE DRAWING FOR DIMENSIONS		
⊖ = MINUS DRAFT	⊕ = PLUS DRAFT	⊕ = ADDITIONAL CONTROL REQ'D	⊕ = BRINELL HARDNESS	Drawings to conform to the current revision of the following ANSI standards: Y14.3 Multi and sectional view dsgs. Y14.5M Dimensioning and tolerancing		
TOLERANCES NOT SPECIFIED	.XX ± .XXX ± ∠(DEG) ±	INCH	SCALE	Sheet 2 of 5	1:12	
CONFIDENTIAL DISCLOSURE This drawing is the property of POWEREX, INC. of the SCOTT FETZER COMPANY and subject to return on demand. Its contents are confidential and must not be copied or submitted to outside parties for use or examination.		DRAWN BY RK	CHECKED BY JA	APPROVED BY ENGINEERING JA	MFG/MRKTG CT	
MATERIAL N/A		12/8/16	12/8/16	12/8/16	12/8/16	
PART NAME MEDICAL SCROLL 60HP TRIPLEX		 150 PRODUCTION DRIVE, HARRISON, OHIO 45030 Ph: 888-769-7979 FAX: (513) 367-3125		DWG NO MSET60B7	SIZE D	

8 7 6 5 4 3 2 1

REV	ZONE	REVISION	DATE	ECN	NAME	CHKD
B-1	ALL	RELEASE TO PRODUCTION	12/8/16	PKE0180	RK	JA
B-2	1ALL 3ALL 4ALL 5ALL	ADDED OUTLET SEPARATOR ADDED LINING TO TANK NOTE CHANGED TO NANO DRYERS CORRECTED FLOOR PLAN CORRECTED FLOW SCHEMATIC	2/1/17	PKE0180	GES	JA



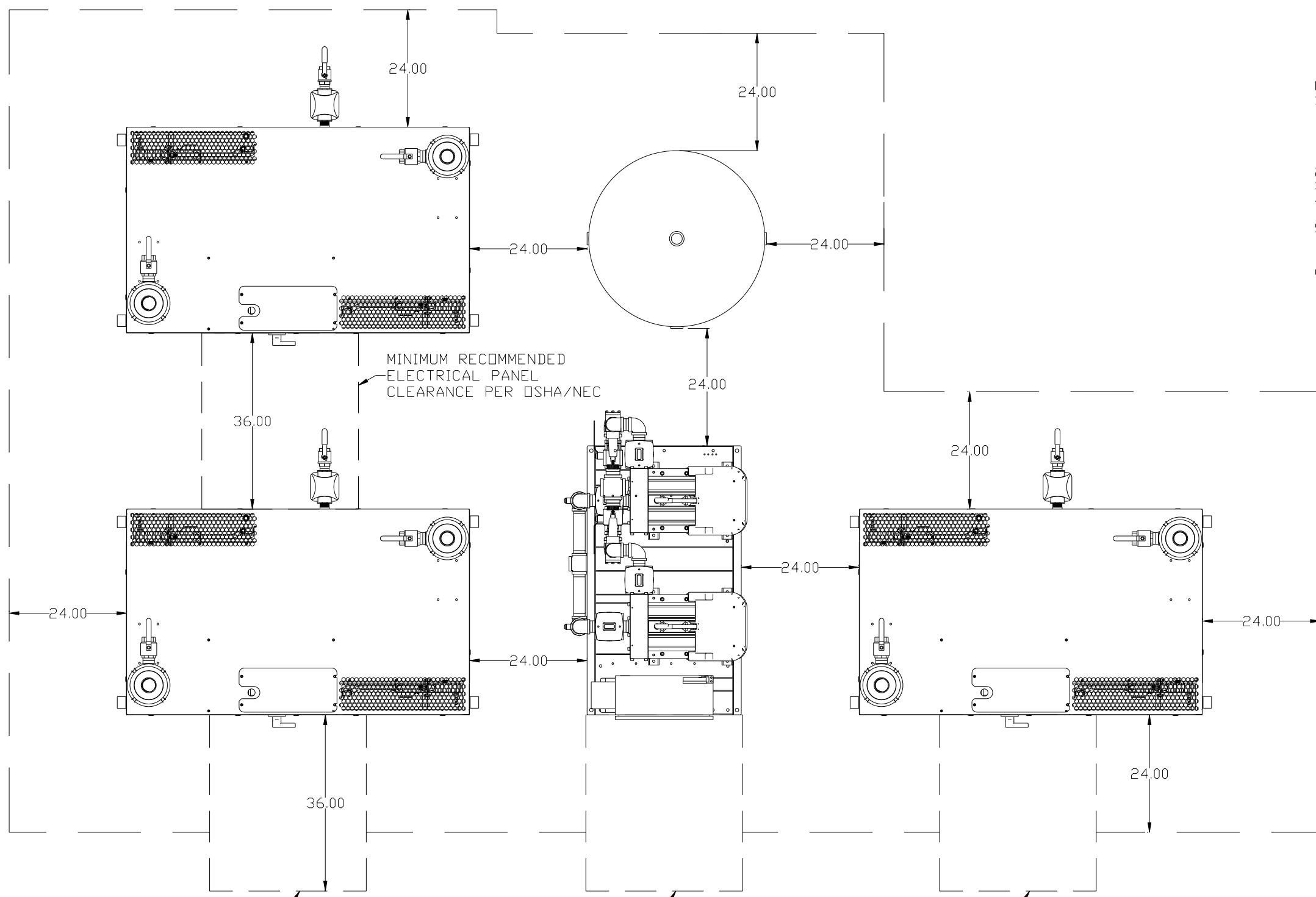
MINIMUM RECOMMENDED
ELECTRICAL PANEL
CLEARANCE PER OSHA/NEC



- NOTES:
- 1) SHEET 1 - SCROLL ENCLOSURE LAYOUT
SHEET 2 - RECEIVER LAYOUT
SHEET 3 - AIR TREATMENT LAYOUT
SHEET 4 - PLAN VIEW
SHEET 5 - FLOW SCHEMATIC
 - 2) INLET CONNECTIONS: 2" FNPT X 6.
 - 3) OUTLET CONNECTION: 2-1/2" FNPT X 1.
 - 4) POWER CONNECTION : EACH ENCLOSURE: 1- 230, OR 460 VOLT.
: ALTERNATION PANEL: 115V
 - 5) WHEN PACKAGE IS INSTALLED INTO THE FACILITY,
VERIFY THE INSTALLER REFERENCES
TABLE 110.26 (A) (1) FOR MINIMUM WORKING AREA.
 - 6.) DIRECTION OF THE INTAKE CONNECTIONS MAY BE MODIFIED
AT INSTALLATION BY ADJUSTING THE PIPE THREAD CONNECTIONS.

SYMBOL LEGEND ⊖ = MINUS DRAFT ⊕ = PLUS DRAFT Ⓢ = ADDITIONAL CONTROL REQ'D Ⓜ = BRINELL HARDNESS		Drawings to conform to the current revision of the following ANSI standards: Y14.3 Multi and sectional view dsgs. Y14.5M Dimensioning and tolerancing	
TOLERANCES NOT SPECIFIED .XX ± .XXX ± \angle (DEG) ±		DO NOT SCALE DRAWING FOR DIMENSIONS SCALE: 1:12	
CONFIDENTIAL DISCLOSURE This drawing is the property of POWEREX, INC. of the SCOTT FETZER COMPANY and subject to return on demand. Its contents are confidential and must not be copied or submitted to outside parties for use or examination.		AUTOCAD LT 2014 Sheet 3 of 5	
MATERIAL: N/A PART NAME: MEDICAL SCROLL 60HP TRIPLEX		DRAWN BY: RK CHECKED BY: JA APPROVED BY: ENGINEERING MFG/MKTG 12/8/16 12/8/16 12/8/16 12/8/16	
DWG NO: MSET60B7 SIZE: D		 150 PRODUCTION DRIVE, HARRISON, OHIO 45030 Ph: 888-769-7979 FAX: (513) 367-3125	

REV	ZONE	REVISION	DATE	ECN	NAME	CHKD
B-1	ALL	RELEASE TO PRODUCTION	12/8/16	PKEC0180	RK	JA
B-2	1ALL 3ALL 4ALL 5ALL	ADDED OUTLET SEPARATOR CHANGED TO NANO DRIVERS CORRECTED FLOOR PLAN CORRECTED FLOW SCHEMATIC	2/1/17	PKEC0180	GES	JA



- NOTES:
- 1) SHEET 1 - SCROLL ENCLOSURE LAYOUT
SHEET 2 - RECEIVER LAYOUT
SHEET 3 - AIR TREATMENT LAYOUT
SHEET 4 - PLAN VIEW
SHEET 5 - FLOW SCHEMATIC
 - 2) INLET CONNECTIONS: 2" FNPT X 6.
 - 3) OUTLET CONNECTION: 2-1/2" FNPT X 1.
 - 4) POWER CONNECTION : EACH ENCLOSURE: 1- 230, OR 460 VOLT.
: ALTERNATION PANEL: 115V
 - 5) WHEN PACKAGE IS INSTALLED INTO THE FACILITY,
VERIFY THE INSTALLER REFERENCES
TABLE 110.26 (A) (1) FOR MINIMUM WORKING AREA.
 - 6.) DIRECTION OF THE INTAKE CONNECTIONS MAY BE MODIFIED
AT INSTALLATION BY ADJUSTING THE PIPE THREAD CONNECTIONS.

MINIMUM RECOMMENDED
ELECTRICAL PANEL
CLEARANCE PER OSHA/NEC

MINIMUM RECOMMENDED
MAINTENANCE CLEARANCE

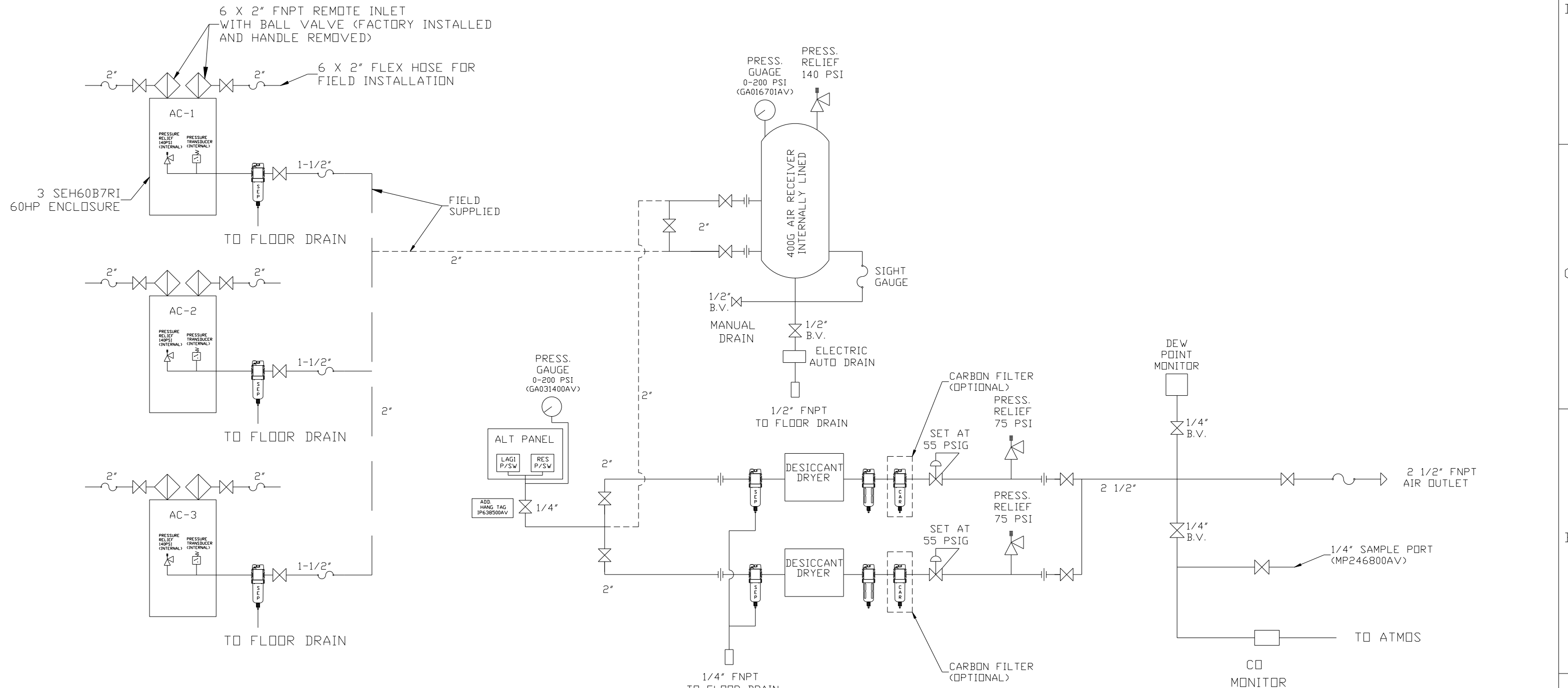
MINIMUM RECOMMENDED
ELECTRICAL PANEL
CLEARANCE PER OSHA/NEC

MINIMUM RECOMMENDED
ELECTRICAL PANEL
CLEARANCE PER OSHA/NEC

MINIMUM RECOMMENDED
ELECTRICAL PANEL
CLEARANCE PER OSHA/NEC

SYMBOL LEGEND ⊖ = MINUS DRAFT ⊕ = PLUS DRAFT ⊕ = BRINELL HARDNESS		= ADDITIONAL CONTROL REQ'D = BRINELL HARDNESS		Drawings to conform to the current revision of the following ANSI standards: Y14.3 Multi and sectional view dsgs. Y14.5M Dimensioning and tolerancing
TOLERANCES NOT SPECIFIED .XX ± .XXX ± <DEG> ±		AUTOCAD LT 2014 INCH		DO NOT SCALE DRAWING FOR DIMENSIONS Sheet 4 of 5 SCALE 1:12
CONFIDENTIAL DISCLOSURE This drawing is the property of POWEREX, INC. of the SCOTT FETZER COMPANY and subject to return on demand. Its contents are confidential and must not be copied or submitted to outside parties for use or examination.				
DRAWN BY RK		CHECKED BY JA		APPROVED BY ENGINEERING MFG/MKTG JA CT
MATERIAL N/A		DATE 12/8/16		DATE 12/8/16
PART NAME MEDICAL SCROLL 60HP TRIPLEX		 150 PRODUCTION DRIVE, HARRISON, OHIO 45030 Ph 888-769-7979 FAX (513) 367-3125		SIZE D
DWG NO MSET60B7		MSET60B7.DWG		

REV	ZONE	REVISION	DATE	ECN	NAME	CHKD
B-1	ALL	RELEASE TO PRODUCTION	12/8/16	PKEC0180	RK	JA
B-2	1ALL 3ALL 4ALL 5ALL	ADDED OUTLET SEPARATOR ADDED LINING TO TANK NOTE CHANGED TO NANO DRYERS CORRECTED FLOOR PLAN CORRECTED FLOW SCHEMATIC	2/1/17	PKEC0180	GES	JA



LEGEND	
	INTAKE FILTER
	AIR FILTER
	BALL VALVE
	CARBON FILTER
	DIVERTER VALVE
	REGULATOR
	CHECK VALVE
	SEPERATOR
	FLEX JOINT
	UNION

- NOTES:
- 1) SHEET 1 - SCROLL ENCLOSURE LAYOUT
SHEET 2 - RECEIVER LAYOUT
SHEET 3 - AIR TREATMENT LAYOUT
SHEET 4 - PLAN VIEW
SHEET 5 - FLOW SCHEMATIC
 - 2) INLET CONNECTIONS: 2" FNPT X 6.
 - 3) OUTLET CONNECTION: 2-1/2" FNPT X 1.
 - 4) POWER CONNECTION : EACH ENCLOSURE: 1- 230, OR 460 VOLT.
: ALTERNATION PANEL: 115V
 - 5) WHEN PACKAGE IS INSTALLED INTO THE FACILITY,
VERIFY THE INSTALLER REFERENCES
TABLE 110.26 (A) (1) FOR MINIMUM WORKING AREA.
 - 6.) DIRECTION OF THE INTAKE CONNECTIONS MAY BE MODIFIED
AT INSTALLATION BY ADJUSTING THE PIPE THREAD CONNECTIONS.

SYMBOL LEGEND		= ADDITIONAL CONTROL REQ'D		Drawings to conform to the current revision of the following ANSI standards	
= MINUS DRAFT		= BRINELL HARDNESS		Y14.3 Multi and sectional view dsgs. Y14.5M Dimensioning and tolerancing	
TOLERANCES NOT SPECIFIED		AUTOCAD LT 2014		DO NOT SCALE DRAWING FOR DIMENSIONS	
.XX ±		INCH		Sheet 5 of 5	
.XXX ±				SCALE 1:12	
<DEG> ±					
CONFIDENTIAL DISCLOSURE This drawing is the property of POWEREX, INC. of the SCOTT FETZER COMPANY and subject to return on demand. Its contents are confidential and must not be copied or submitted to outside parties for use or examination.					
DRAWN BY		CHECKED BY		APPROVED BY	
RK		JA		JA CT	
12/8/16		12/8/16		12/8/16 12/8/16	
MATERIAL N/A					
PART NAME MEDICAL SCROLL FLOW SCHEMATIC					
DWG NO MSET60B7				SIZE D	