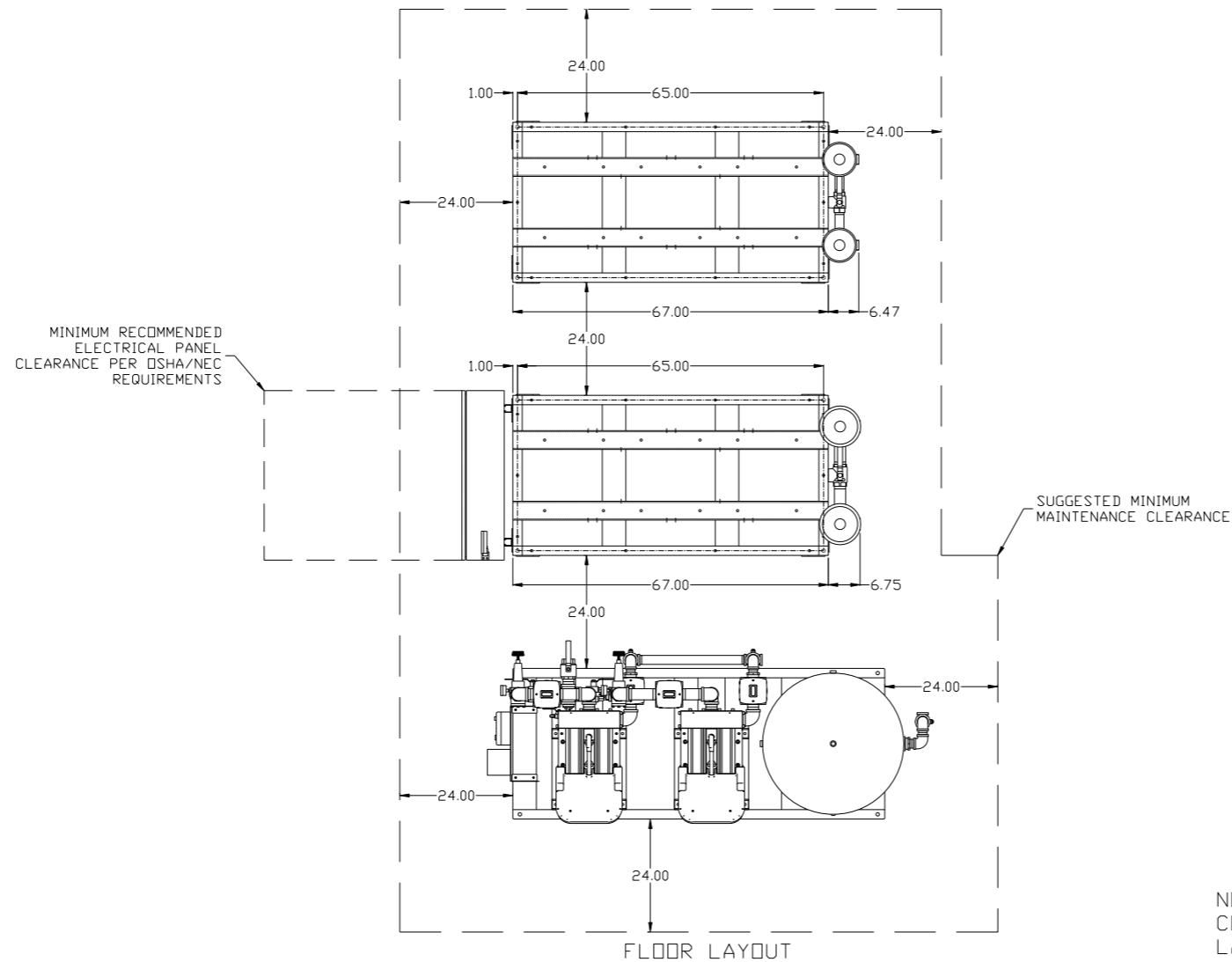
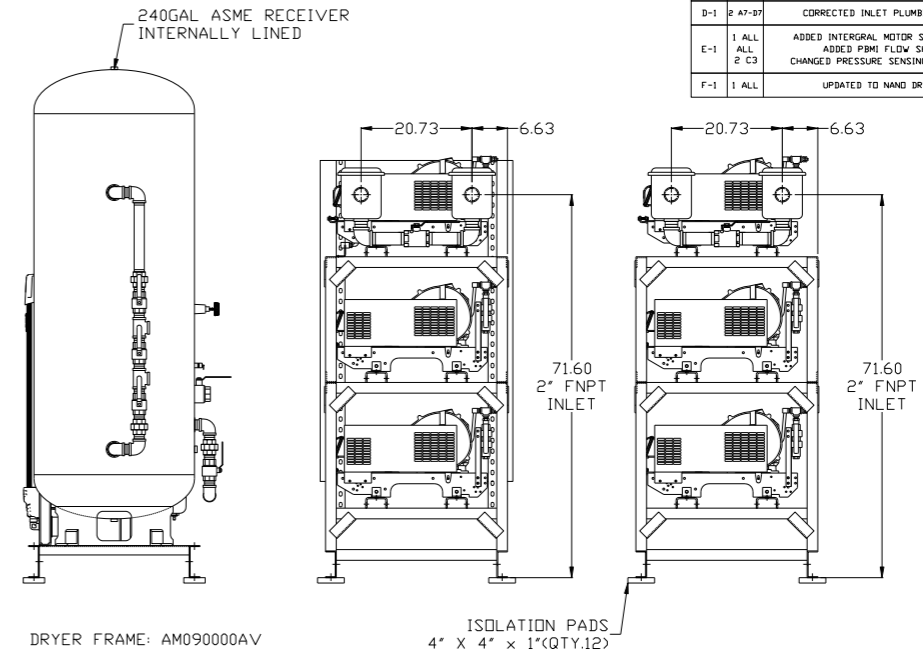
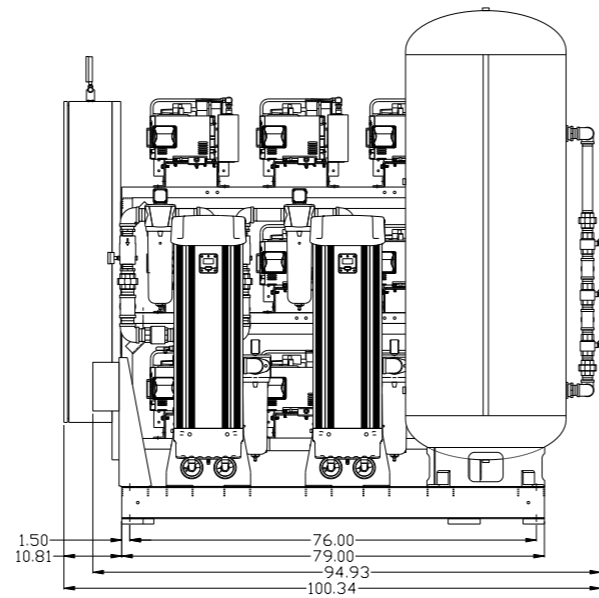
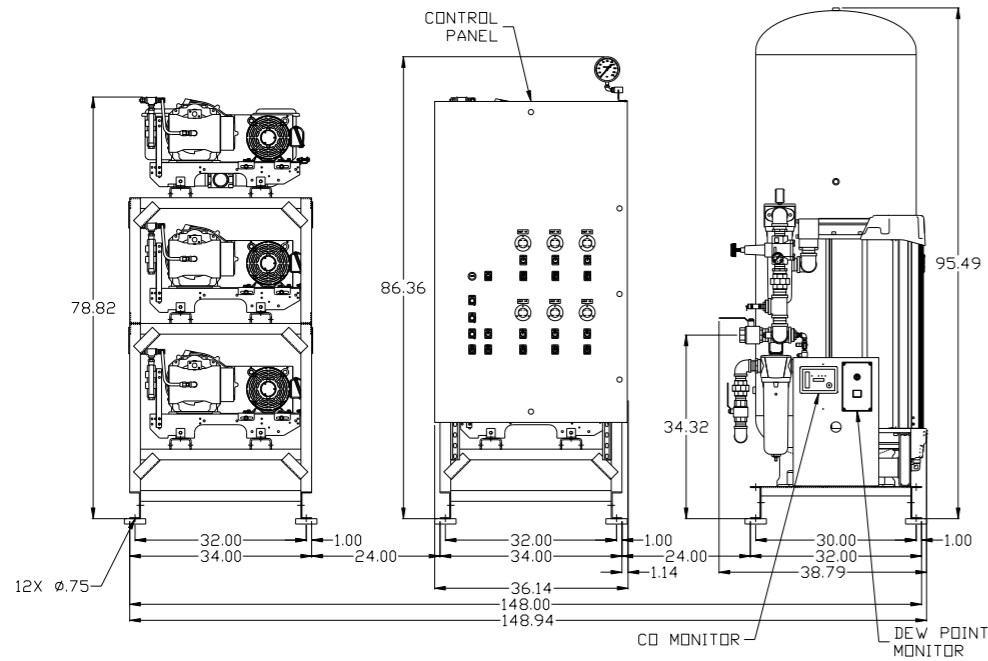


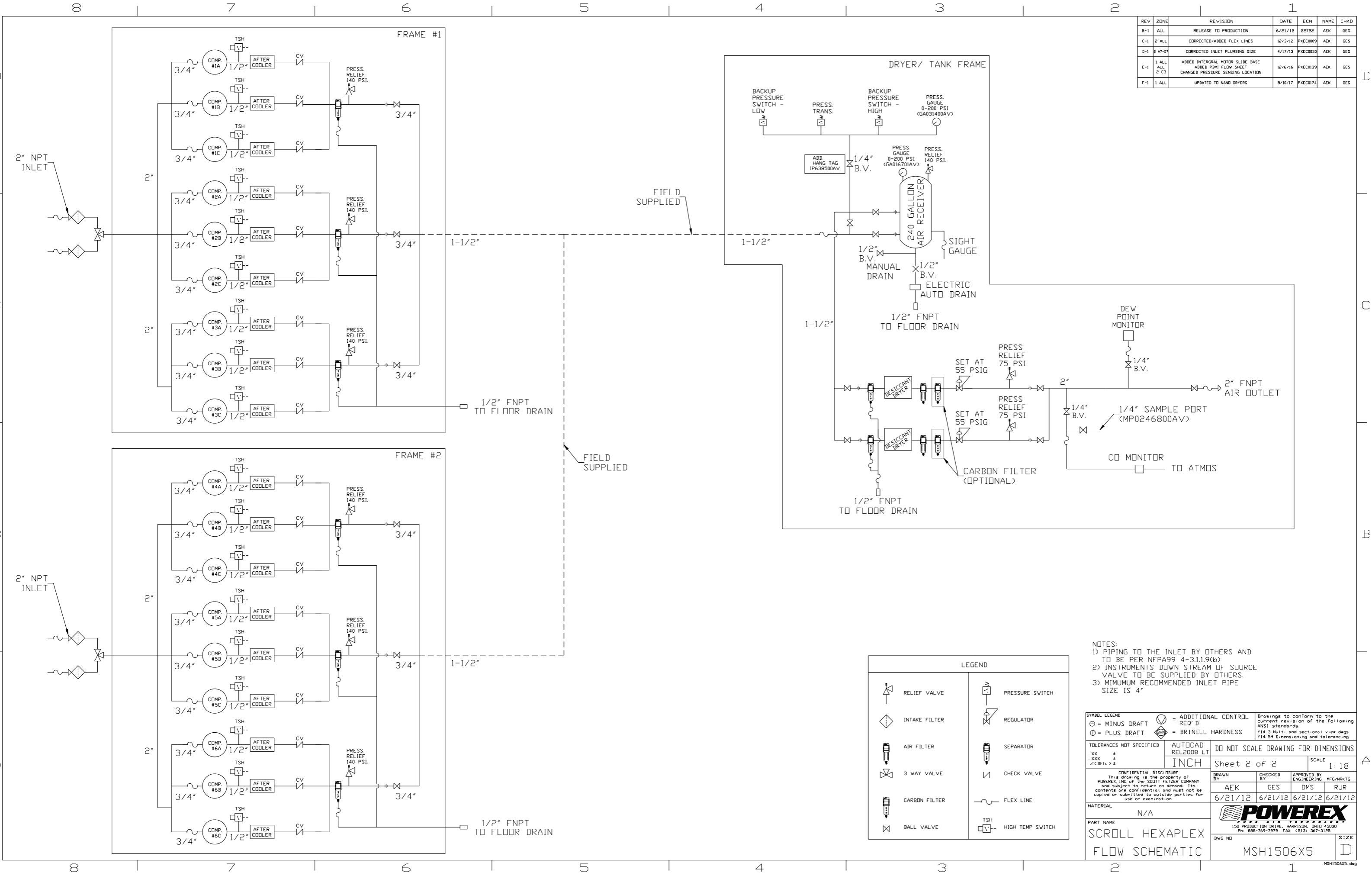
REV	ZONE	REVISION	DATE	ECN	NAME	CHKD
B-1	ALL	RELEASE TO PRODUCTION	6/21/12	22722	AEK	GES
C-1	2 ALL	CORRECTED/ADDED FLEX LINES	12/3/12	PXEC0009	AEK	GES
D-1	2 A7-B7	CORRECTED INLET PLUMBING SIZE	4/17/13	PXEC0030	AEK	GES
E-1	1 ALL 2 C3	ADDED INTEGRAL MOTOR SLIDE BASE ADDED PBM FLOW SHEET CHANGED PRESSURE SENSING LOCATION	12/6/16	PXEC0139	AEK	GES
F-1	1 ALL	UPDATED TO HANG DRYERS	8/10/17	PXEC0174	AEK	GES



NOTE: SYSTEM DESIGNED IN COMPLIANCE WITH US NFPA '99, LATEST EDITION.

SYMBOL LEGEND		AUTOCAD REL2008 LT		DO NOT SCALE DRAWING FOR DIMENSIONS	
⊖	MINUS DRAFT	+	PLUS DRAFT	Sheet 1 of 2	
⊕	ADDITIONAL CONTROL REQ'D	BRINELL	BRINELL HARDNESS	SCALE 1:18	
TOLERANCES NOT SPECIFIED		INCH		DRAWN BY: AEK	
CONFIDENTIAL DISCLOSURE		This drawing is the property of POWEREX, INC. of the SCOTT FEITZER COMPANY and subject to return on demand. Its contents are confidential and must not be copied or submitted to outside parties for use or examination.		CHECKED BY: GES	
MATERIAL		N/A		APPROVED BY: DMS	
PART NAME		15HP HEXAPLEX SCROLL		RJR	
240GAL DESICCANT PACKAGE		MSH1506X5		6/21/12 6/21/12 6/21/12 6/21/12	

REV	ZONE	REVISION	DATE	ECN	NAME	CHKD
B-1	ALL	RELEASE TO PRODUCTION	6/21/12	22722	AEK	GES
C-1	2 ALL	CORRECTED/ADDED FLEX LINES	12/3/12	PXEC0009	AEK	GES
D-1	2 A7-B7	CORRECTED INLET PLUMBING SIZE	4/17/13	PXEC0030	AEK	GES
E-1	1 ALL 2 C3	ADDED INTEGRAL MOTOR SLIDE BASE ADDED PBM FLOW SHEET CHANGED PRESSURE SENSING LOCATION	12/6/16	PXEC0139	AEK	GES
F-1	1 ALL	UPDATED TO HANG DRYERS	8/10/17	PXEC0174	AEK	GES

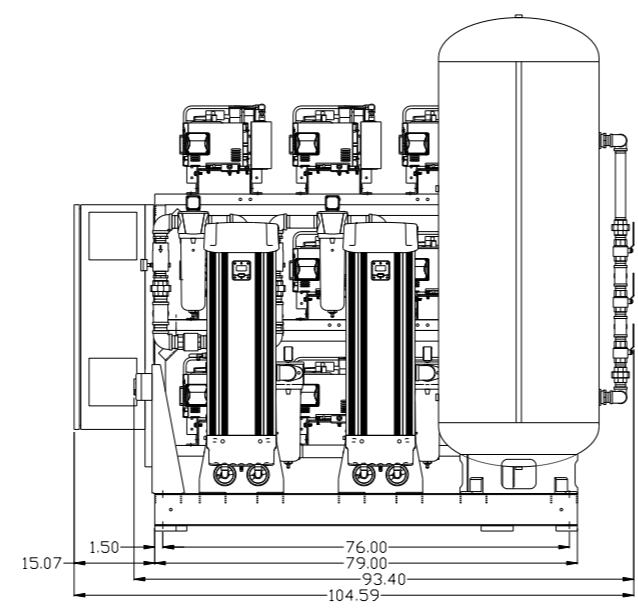
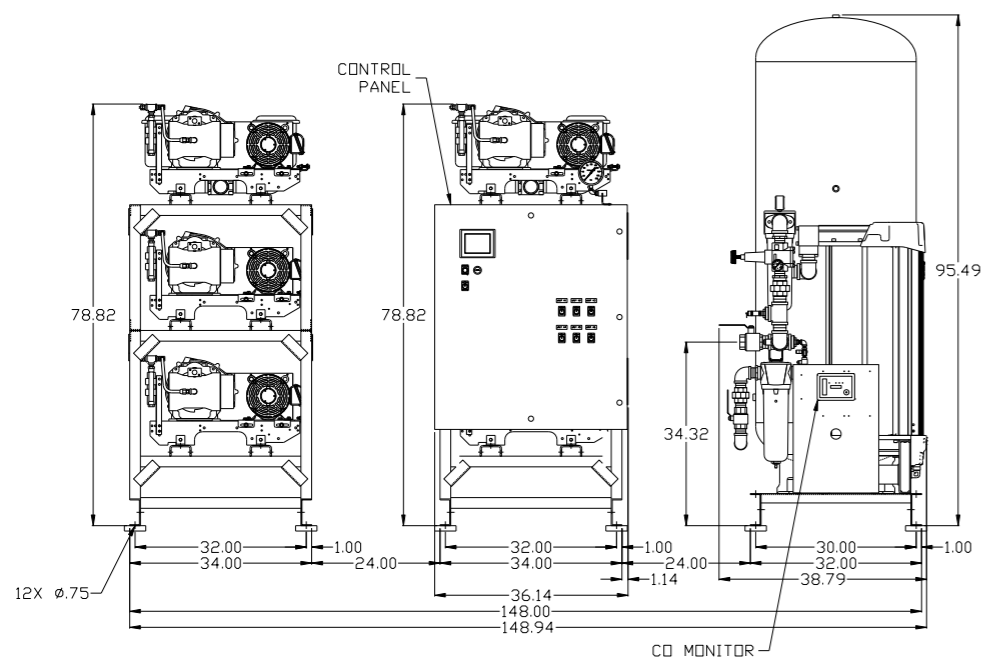


NOTES:  
 1) PIPING TO THE INLET BY OTHERS AND TO BE PER NFPA99 4-3.1.19(b)  
 2) INSTRUMENTS DOWN STREAM OF SOURCE VALVE TO BE SUPPLIED BY OTHERS.  
 3) MINIMUM RECOMMENDED INLET PIPE SIZE IS 4"

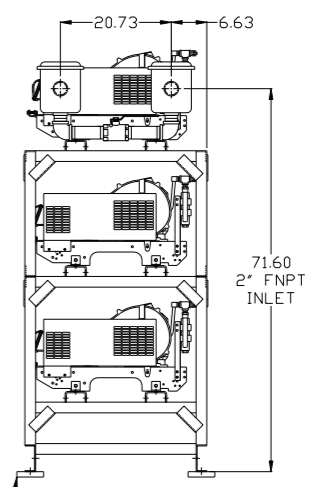
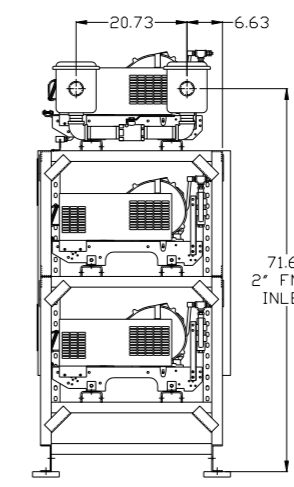
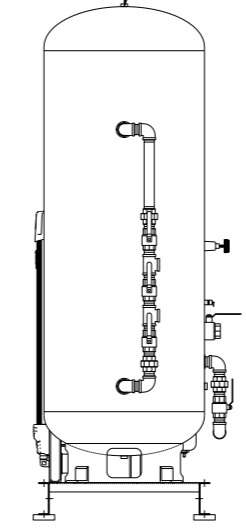
LEGEND	
	RELIEF VALVE
	INTAKE FILTER
	AIR FILTER
	3 WAY VALVE
	CARBON FILTER
	BALL VALVE
	PRESSURE SWITCH
	REGULATOR
	SEPARATOR
	CHECK VALVE
	FLEX LINE
	HIGH TEMP SWITCH

SYMBOL LEGEND		= ADDITIONAL CONTROL REQ'D		Drawings to conform to the current revision of the following ANSI standards:	
⊖ = MINUS DRAFT		⊕ = PLUS DRAFT		Y14.3 Multi and sectional view dgs.	
TOLERANCES NOT SPECIFIED		AUTOCAD REL2008 LT		DO NOT SCALE DRAWING FOR DIMENSIONS	
.XX ±		INCH		Sheet 2 of 2	
.XXX ±				SCALE 1:18	
<< DEG > ±					
CONFIDENTIAL DISCLOSURE					
This drawing is the property of POWEREX, INC. OF THE SCOTT FETZER COMPANY and subject to return on demand. Its contents are confidential and must not be copied or submitted to outside parties for use or examination.					
DRAWN BY		CHECKED BY		APPROVED BY	
AEK		GES		DMS RJR	
6/21/12		6/21/12		6/21/12 6/21/12	
MATERIAL		N/A		POWEREX	
PART NAME		SCROLL HEXAPLEX		150 PRODUCTION DRIVE, HARRISON, OHIO 45030	
		FLOW SCHEMATIC		Ph 888-769-7979 FAX (513) 367-3125	
DVG NO		MSH1506X5		SIZE D	

REV	ZONE	REVISION	DATE	ECN	NAME	CHKD
B-1	ALL	RELEASE TO PRODUCTION	6/21/12	22722	AEK	GES
C-1	2 ALL	CORRECTED/ADDED FLEX LINES	12/3/12	PXEC0009	AEK	GES
D-1	2 A7-B7	CORRECTED INLET PLUMBING SIZE	4/17/13	PXEC0030	AEK	GES
E-1	1 ALL 2 C3	ADDED INTEGRAL MOTOR SLIDE BASE ADDED PBM FLOW SHEET CHANGED PRESSURE SENSING LOCATION	12/6/16	PXEC0139	AEK	GES
F-1	1 ALL	UPDATED TO HANG DRYERS	8/10/17	PXEC0174	AEK	GES

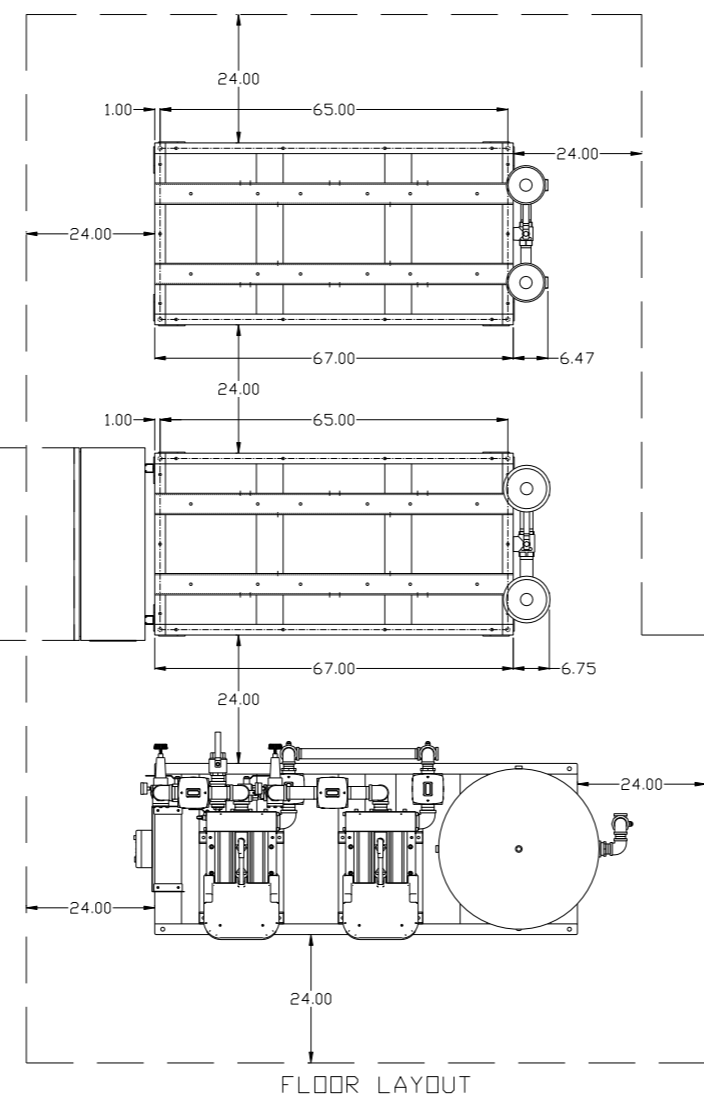


240GAL ASME RECEIVER  
INTERNALLY LINED



MINIMUM RECOMMENDED  
ELECTRICAL PANEL  
CLEARANCE PER OSHA/NEC  
REQUIREMENTS

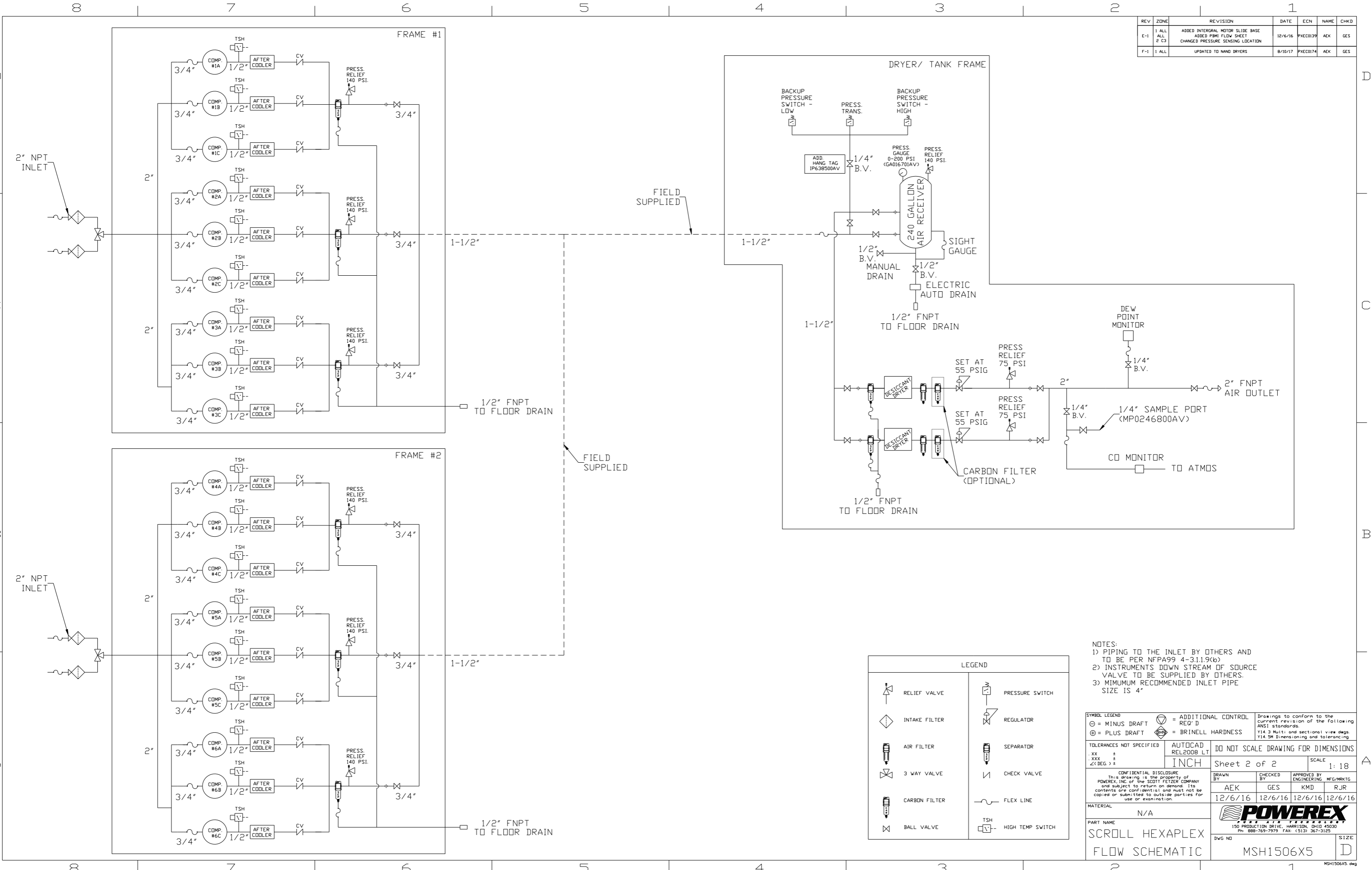
SUGGESTED MINIMUM  
MAINTENANCE CLEARANCE



NOTE: SYSTEM DESIGNED IN  
COMPLIANCE WITH US NFPA '99,  
LATEST EDITION.

<b>SYMBOL LEGEND</b> ⊖ = MINUS DRAFT ⊕ = PLUS DRAFT HRC = BRINELL HARDNESS		= ADDITIONAL CONTROL REQ'D = BRINELL HARDNESS		Drawings to conform to the current revision of the following ANSI standards: Y14.3 Multi and sectional view dgs. Y14.5M Dimensioning and tolerancing
TOLERANCES NOT SPECIFIED .XX ± .XXX ± <<DEG> ±		AUTOCAD REL2008 LT INCH		<b>DO NOT SCALE DRAWING FOR DIMENSIONS</b> Sheet 1 of 2 SCALE 1:18
<b>CONFIDENTIAL DISCLOSURE</b> This drawing is the property of POWEREX, INC. or the SCOTT FEITZER COMPANY and subject to return on demand. Its contents are confidential and must not be copied or submitted to outside parties for use or examination.		DRAWN BY AEK	CHECKED BY GES	APPROVED BY ENGINEERING MFG/MKTG DMS RJR
MATERIAL N/A		DATE 6/21/12	DATE 6/21/12	DATE 6/21/12
PART NAME 15HP HEXAPLEX SCROLL 240GAL DESICCANT PACKAGE		 150 PRODUCTION DRIVE, HARRISON, OHIO 45030 Ph: 888-769-7979 FAX: (513) 367-3125		DWG NO MSH1506X5 SIZE D

REV	ZONE	REVISION	DATE	ECN	NAME	CHKD
E-1	ALL	ADDED INTERNAL MOTOR SLIDE BASE	12/6/16	PXEC0139	AEK	GES
F-1	ALL	ADDED PPHM FLOW SHEET				
F-1	ALL	CHANGED PRESSURE SENSING LOCATION				
F-1	ALL	UPDATED TO HAND DRYERS	8/10/17	PXEC0174	AEK	GES



FIELD SUPPLIED

FIELD SUPPLIED

LEGEND	
	RELIEF VALVE
	INTAKE FILTER
	AIR FILTER
	3 WAY VALVE
	CARBON FILTER
	BALL VALVE
	PRESSURE SWITCH
	REGULATOR
	SEPARATOR
	CHECK VALVE
	FLEX LINE
	TSH HIGH TEMP SWITCH

- NOTES:  
 1) PIPING TO THE INLET BY OTHERS AND TO BE PER NFPA99 4-3.1.19(b)  
 2) INSTRUMENTS DOWN STREAM OF SOURCE VALVE TO BE SUPPLIED BY OTHERS.  
 3) MINIMUM RECOMMENDED INLET PIPE SIZE IS 4"

SYMBOL LEGEND		Drawings to conform to the current revision of the following ANSI standards:	
	= MINUS DRAFT		= ADDITIONAL CONTROL REQ'D
	= PLUS DRAFT		= BRINELL HARDNESS
TOLERANCES NOT SPECIFIED		DO NOT SCALE DRAWING FOR DIMENSIONS	
.XX ±		AUTOCAD REL2008 LT	Sheet 2 of 2
.XXX ±		INCH	SCALE 1:18
<<DEG>> ±			
CONFIDENTIAL DISCLOSURE This drawing is the property of POWEREX, INC. OF THE SCOTT FETZER COMPANY and subject to return on demand. Its contents are confidential and must not be copied or submitted to outside parties for use or examination.			
DRAWN BY	CHECKED BY	APPROVED BY	DATE
AEK	GES	KMD	RJR
12/6/16	12/6/16	12/6/16	12/6/16
MATERIAL N/A			
PART NAME		150 PRODUCTION DRIVE, HARRISON, OHIO 45030 Ph: 888-769-7979 FAX: (513) 367-3125	
SCROLL HEXAPLEX FLOW SCHEMATIC		DWG NO	SIZE
		MSH1506X5	D