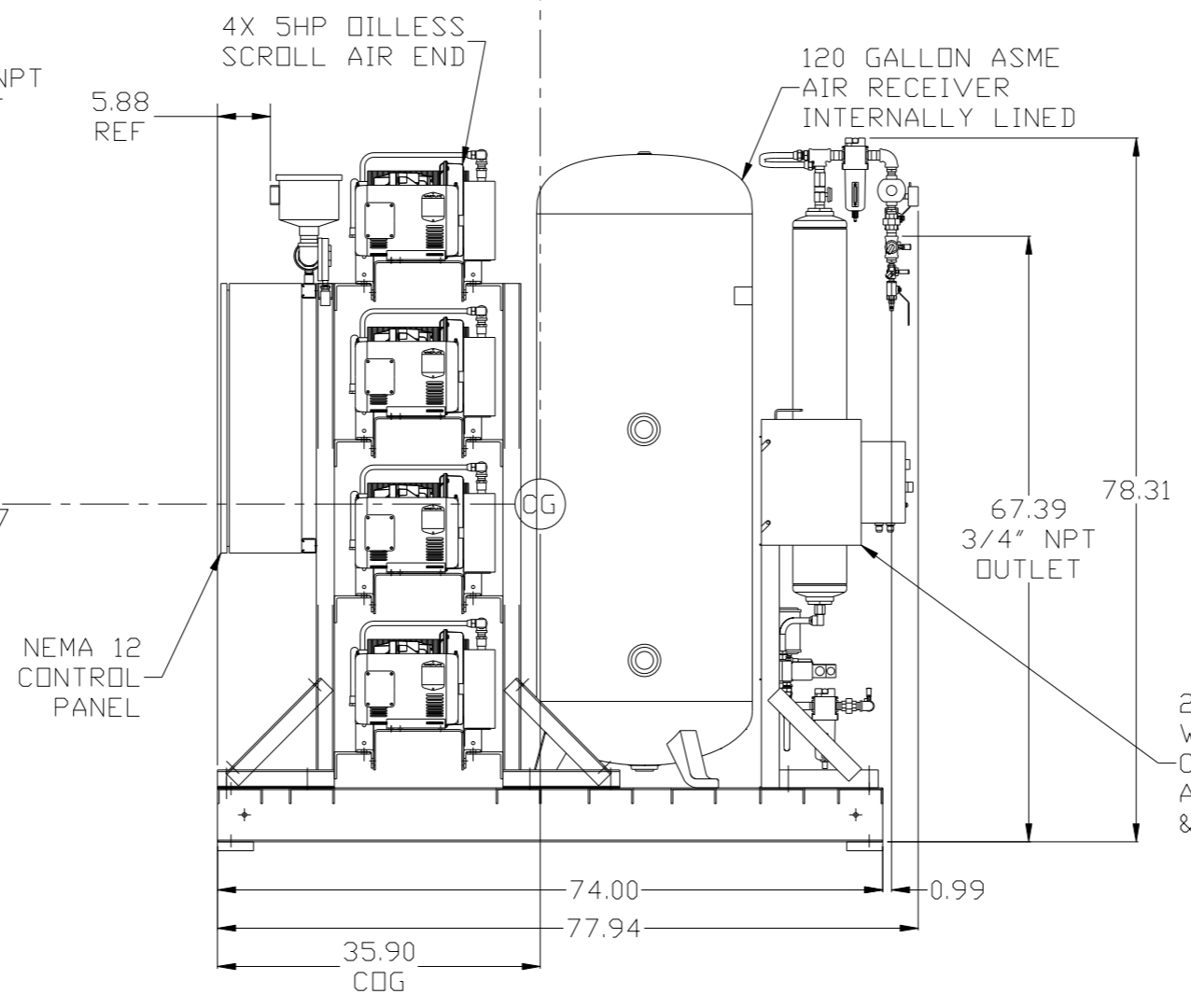
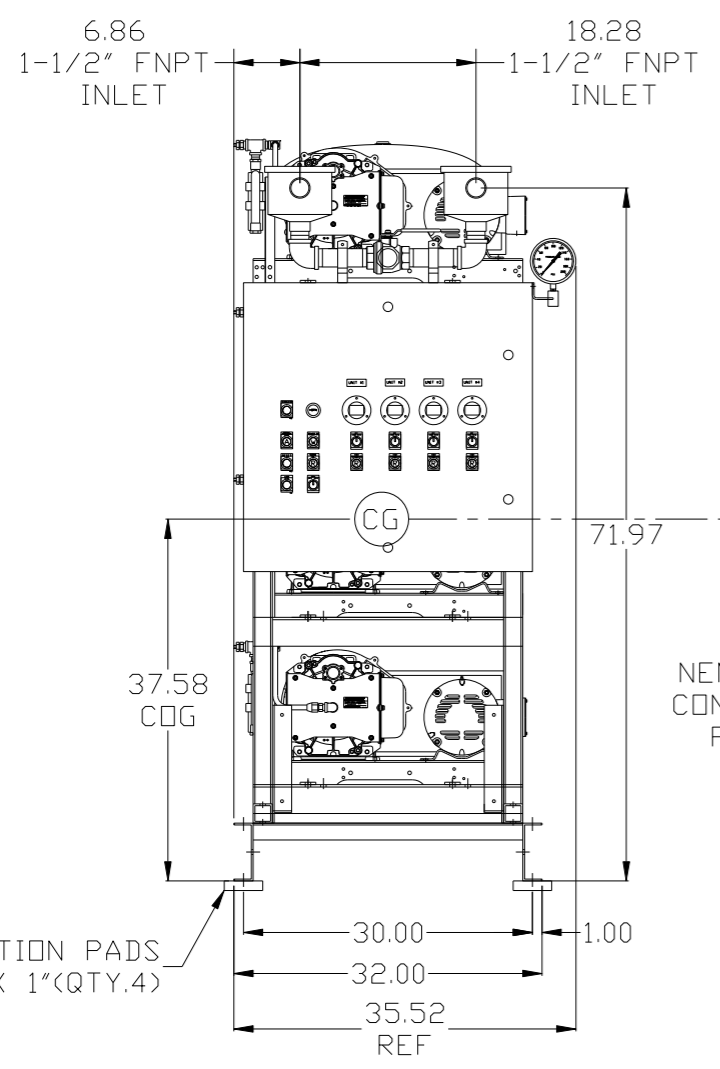
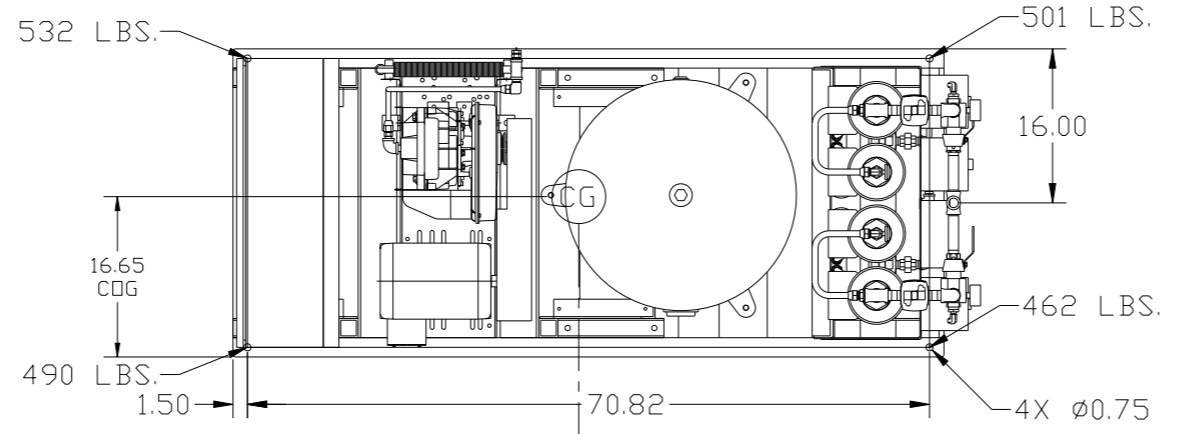


8 7 6 5 4 3 2 1

REV	ZONE	REVISION	DATE	ECN	NAME	CHKD
B-1	ALL	RELEASE TO PRODUCTION	08/16/06	21555	RSN	GES
B-2	ALL	ADDED CENTER OF GRAVITY LOCATION	9/15/06	21436	GES	GES
C-1	2 C-3	ADDED MANUAL DRAIN	03/29/07	21669	GES	DMS
D-1	1 ALL	REPLACED DIV VALVES WITH B.V. & SRV ADDED ISD VALVE, HANGTAG, & TANK GAUGE ADDED 75PSI SRV	3/3/08	21907	GES	DMS
D-2	1 ALL	UPDATED PUMPS TO E-SERIES UPDATED PANEL TO CURRENT STYLE MOVED MONITORS	8/27/08	21907	AEK	GES
E-1	1 C4.C7	MOVED MONITORS TO CORRECT SIDE OF PANEL	6/4/09	22127	AEK	GES
F-1	ALL	UPDATED TO POWEX DRYER	8/17/09	22120	AEK	GES
G-1	1 ALL	ADDED OUTLET LOCATION DIMENSIONS	3/1/10	22348	AEK	GES
J-1	ALL	ADDED PBM/HMI SHEETS	7/2/12	22609	AEK	GES
K-1	1 ALL	CORRECTED DRYER TO PFD45	8/9/13	PXEX0030	AEK	GES
L-1	2 D4	MOVED PRESSURE SENSING LOCATION	3/31/14	PXEX0071	AEK	GES
M-1	1 ALL	ADDED CENTER OF GRAVITY INFORMATION	6/10/14	PXEX0067	AEK	GES
M-2	P C6, B6	CORRECTED CV/SRV/UNION/SEP ORDER ON FLOW	8/12/14	PXEX0067	AEK	GES



2X DESICCANT DRYERS  
W/ DEW POINT MONITOR,  
CO MONITOR, PRE FILTER,  
AFTER FILTER  
& OPTIONAL CHARCOAL FILTER.

TOTAL WEIGHT: 1985 LBS  
C.O.G. DIMENSIONS  
X (FRONT): 35.90"  
Y (RIGHT): 16.65"  
Z (HEIGHT): 37.58"

denotes center of gravity (CG)

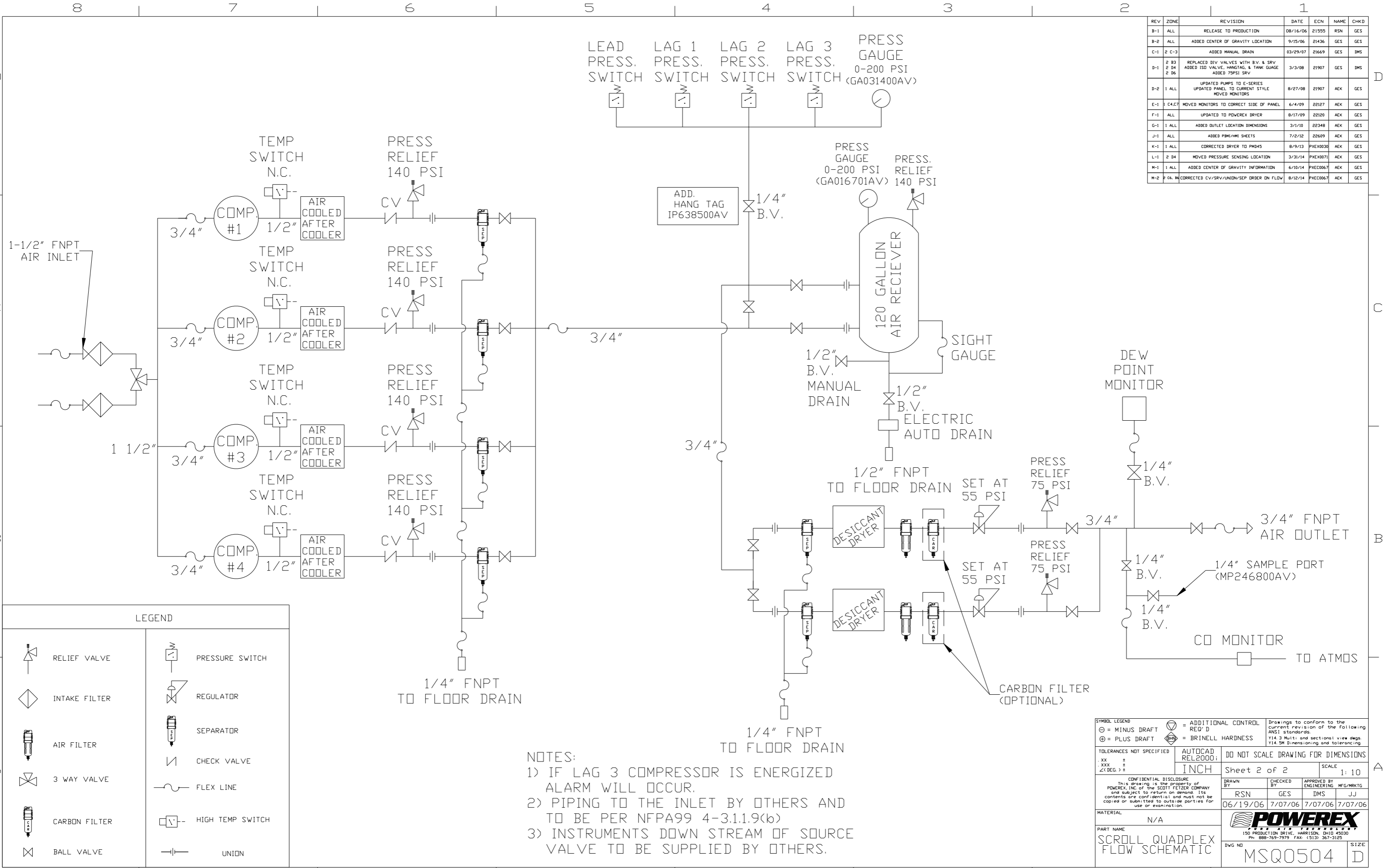
NOTE: A MINIMUM OF 24" CLEARANCE IS  
RECOMMENDED AROUND THE ENTIRE UNIT.

NOTE: SYSTEM DESIGNED IN  
COMPLIANCE WITH US NFPA'99,  
LATEST EDITION.

<b>SYMBOL LEGEND</b> ⊖ = MINUS DRAFT ⊕ = PLUS DRAFT TOLERANCES NOT SPECIFIED .XX ± .XXX ± <math>\angle</math> (DEG) ±		= ADDITIONAL CONTROL REQ'D = BRINELL HARDNESS		Drawings to conform to the current revision of the following ANSI standards: Y14.3 Multi and sectional view dsgs. Y14.5M Dimensioning and tolerancing	
AUTOCAD REL2000 INCH		DO NOT SCALE DRAWING FOR DIMENSIONS Sheet 1 of 2 SCALE 1:10		CONFIDENTIAL DISCLOSURE This drawing is the property of POWEREX, INC. of the SCOTT FELTZER COMPANY and subject to return on demand. Its contents are confidential and must not be copied or submitted to outside parties for use or examination.	
DRAWN BY: RSN 06/19/06		CHECKED BY: GES 7/07/06		APPROVED BY: ENGINEERING MFG/MKTG DMS JJ 7/07/06 7/07/06	
MATERIAL: N/A		<b>POWEREX</b> 150 PRODUCTION DRIVE, HARRISON, OHIO 45030 Ph: 888-769-7979 FAX: (513) 367-3125		PART NAME: QUADPLEX OILLESS SCROLL 5HP 120GAL BASEMOUNT DUPLEX DESICCANT DWG NO: MSQ0504 SIZE: D	

8 7 6 5 4 3 2 1

REV	ZONE	REVISION	DATE	ECN	NAME	CHKD
B-1	ALL	RELEASE TO PRODUCTION	08/16/06	21555	RSN	GES
B-2	ALL	ADDED CENTER OF GRAVITY LOCATION	9/15/06	21436	GES	GES
C-1	2 C-3	ADDED MANUAL DRAIN	03/29/07	21669	GES	DMS
D-1	2 B3 2 D4 2 D6	REPLACED DIV VALVES WITH B.V. & SRV ADDED ISD VALVE, HANGTAG, & TANK GAUGE ADDED 75PSI SRV	3/3/08	21907	GES	DMS
D-2	1 ALL	UPDATED PUMPS TO E-SERIES UPDATED PANEL TO CURRENT STYLE MOVED MONITORS	8/27/08	21907	AEK	GES
E-1	1 C4,C7	MOVED MONITORS TO CORRECT SIDE OF PANEL	6/4/09	22127	AEK	GES
F-1	ALL	UPDATED TO POWEX DRYER	8/17/09	22120	AEK	GES
G-1	1 ALL	ADDED OUTLET LOCATION DIMENSIONS	3/1/10	22348	AEK	GES
J-1	ALL	ADDED PBM/HMI SHEETS	7/2/12	22609	AEK	GES
K-1	1 ALL	CORRECTED DRYER TO PMD45	8/9/13	PXEX0030	AEK	GES
L-1	2 D4	MOVED PRESSURE SENSING LOCATION	3/31/14	PXEX0071	AEK	GES
M-1	1 ALL	ADDED CENTER OF GRAVITY INFORMATION	6/10/14	PXEC0067	AEK	GES
M-2	P C6, B6	CORRECTED CV/SRV/UNION/SEP ORDER ON FLOW	8/12/14	PXEC0067	AEK	GES

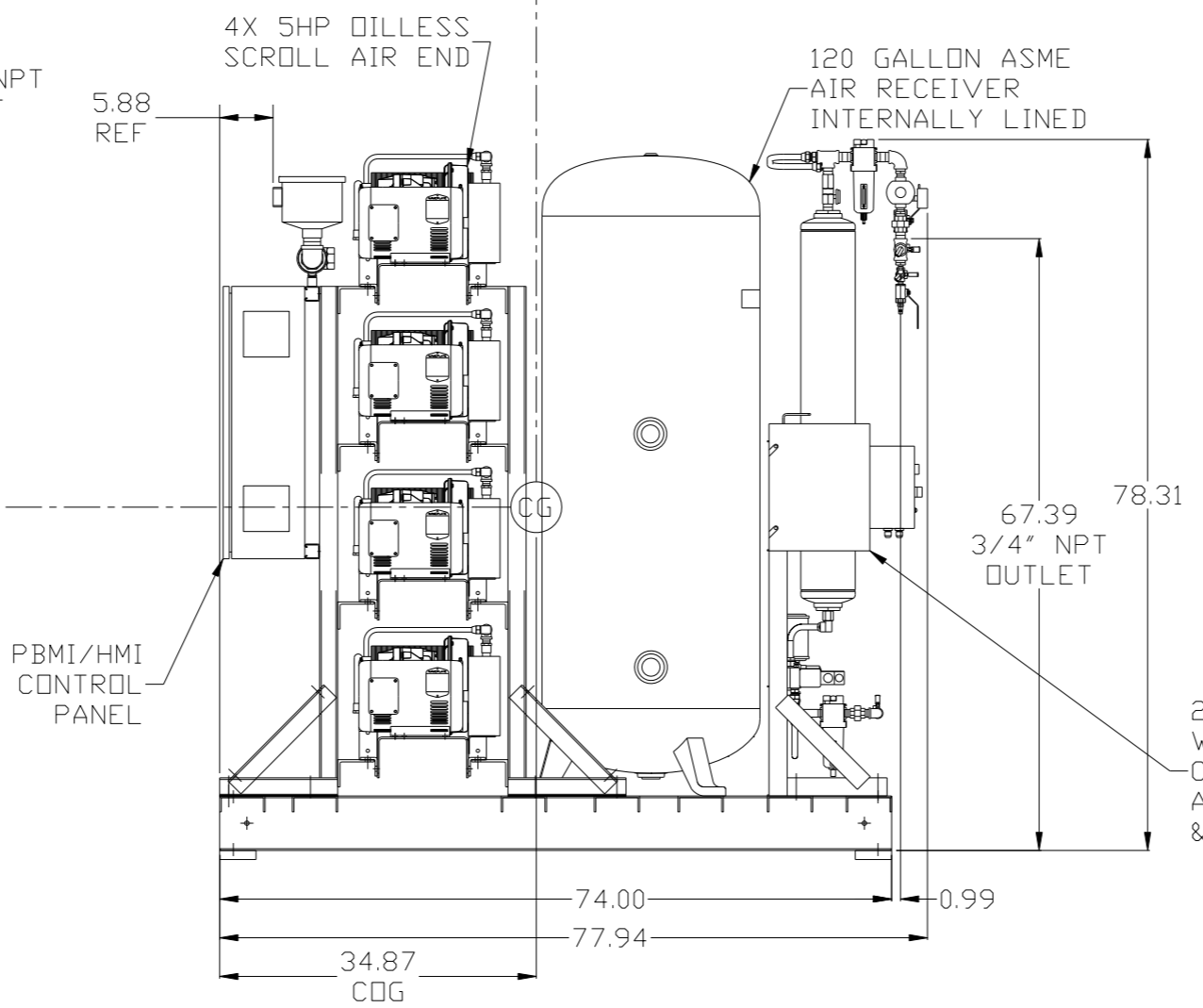
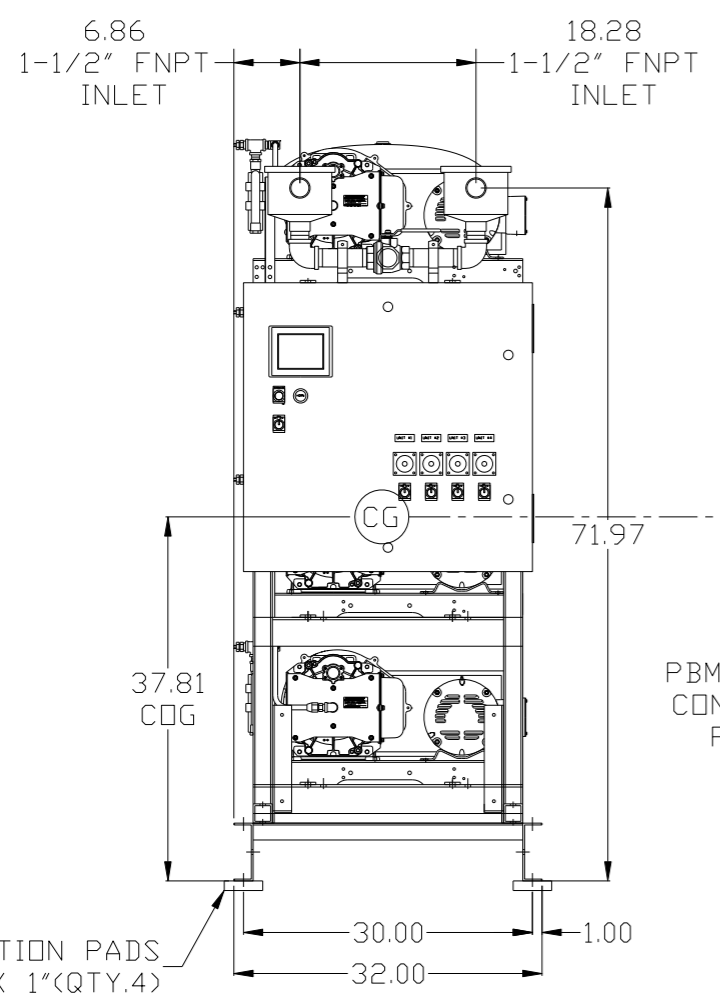
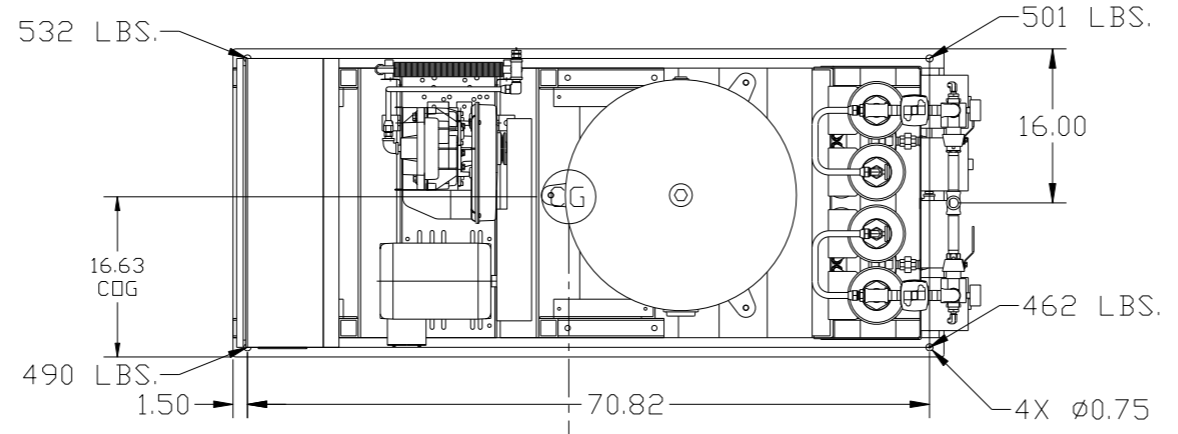


LEGEND	
	RELIEF VALVE
	INTAKE FILTER
	AIR FILTER
	3 WAY VALVE
	CARBON FILTER
	BALL VALVE
	PRESSURE SWITCH
	REGULATOR
	SEPARATOR
	CHECK VALVE
	FLEX LINE
	HIGH TEMP SWITCH
	UNION

NOTES:  
 1) IF LAG 3 COMPRESSOR IS ENERGIZED ALARM WILL OCCUR.  
 2) PIPING TO THE INLET BY OTHERS AND TO BE PER NFPA99 4-3.1.1.9(b)  
 3) INSTRUMENTS DOWN STREAM OF SOURCE VALVE TO BE SUPPLIED BY OTHERS.

SYMBOL LEGEND			ADDITIONAL CONTROL REQ'D	Drawings to conform to the current revision of the following ANSI standards:	
	MINUS DRAFT		BRINELL HARDNESS	Y14.3 Multi and sectional view dsgs. Y14.5M Dimensioning and tolerancing	
TOLERANCES NOT SPECIFIED		AUTOCAD REL2000:	DO NOT SCALE DRAWING FOR DIMENSIONS		
.XX ±	.XXX ±	<< DEG >> ±	INCH	Sheet 2 of 2	SCALE 1:10
CONFIDENTIAL DISCLOSURE This drawing is the property of POWEX, INC. of the SCOTT FEITZER COMPANY and subject to return on demand. Its contents are confidential and must not be copied or submitted to outside parties for use or examination.					
DRAWN BY	CHECKED BY	APPROVED BY	ENGINEERING	MFG/MKTG	
RSN	GES	DMS	JJ		
06/19/06	7/07/06	7/07/06	7/07/06		
MATERIAL		N/A			
PART NAME		SCROLL QUADPLEX FLOW SCHEMATIC			
DWG NO		MSQ0504		SIZE D	

REV	ZONE	REVISION	DATE	ECN	NAME	CHKD
J-1	ALL	ADDED PBMI/HMI SHEETS	7/2/12	22609	GES	AEK
K-1	1 ALL	CORRECTED DRYER TO PMD45	8/9/13	PXEX0030	AEK	GES
L-1	2 B4	MOVED PRESSURE SENSING LOCATION	3/31/14	PXEX0071	AEK	GES
M-1	1 ALL	ADDED CENTER OF GRAVITY INFORMATION	6/10/14	PXEC0067	AEK	GES
M-2	2 C6, B4	CORRECTED CV/SRV/UNIDV/SEP ORDER ON FLOW	8/12/14	PXEC0067	AEK	GES



2X DESICCANT DRYERS  
W/ DEW POINT MONITOR,  
CO MONITOR, PRE FILTER,  
AFTER FILTER  
& OPTIONAL CHARCOAL FILTER.

TOTAL WEIGHT: 2035 LBS  
C.O.G. DIMENSIONS  
X (FRONT): 34.87"  
Y (RIGHT): 16.63"  
Z (HEIGHT): 37.81"

denotes center of gravity (CG)

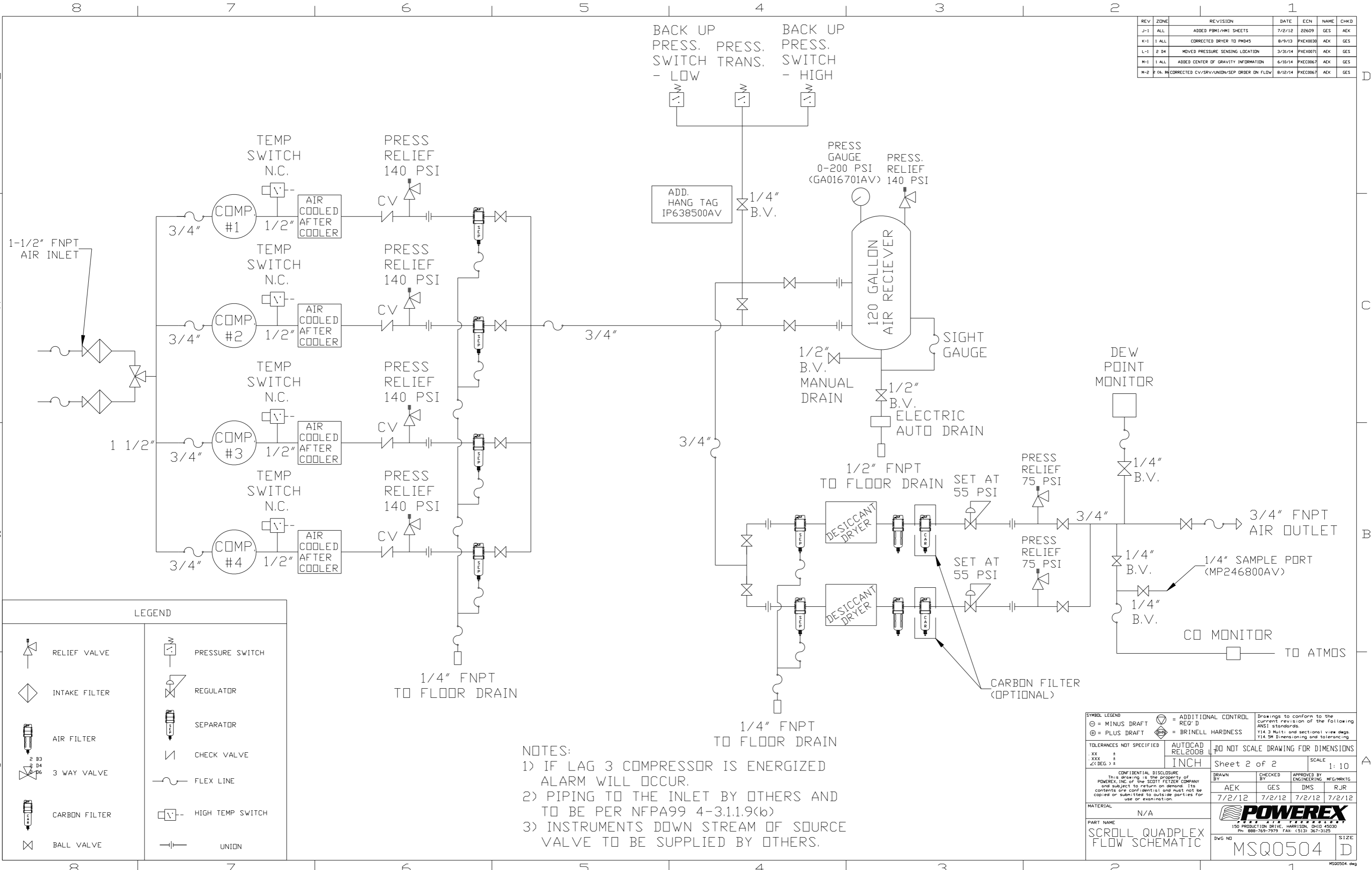
ISOLATION PADS  
4" X 4" X 1"(QTY.4)

SYMBOL LEGEND		= ADDITIONAL CONTROL REQ'D		Drawings to conform to the current revision of the following ANSI standards	
⊖	MINUS DRAFT	⊕	PLUS DRAFT	⊖	BRINELL HARDNESS
TOLERANCES NOT SPECIFIED		AUTOCAD REL2008		DO NOT SCALE DRAWING FOR DIMENSIONS	
.XX ±		INCH		Sheet 1 of 2	SCALE 1:10
CONFIDENTIAL DISCLOSURE This drawing is the property of POWEREX, INC. of the SCOTT FELTZER COMPANY and subject to return on demand. Its contents are confidential and must not be copied or submitted to outside parties for use or examination.					
DRAWN BY	CHECKED BY	APPROVED BY	ENGINEERING	MFG/MKTG	
AEK	GES	DMS	RJR		
7/2/12	7/2/12	7/2/12	7/2/12	7/2/12	7/2/12
MATERIAL		N/A			
PART NAME		QUADPLEX OILLESS SCROLL 5HP 120GAL BASEMOUNT DUPLEX DESICCANT			
DWG NO		MSQ0504		SIZE D	

NOTE: A MINIMUM OF 24" CLEARANCE IS RECOMMENDED AROUND THE ENTIRE UNIT.

NOTE: SYSTEM DESIGNED IN COMPLIANCE WITH US NFPA'99, LATEST EDITION.

REV	ZONE	REVISION	DATE	ECN	NAME	CHKD
J-1	ALL	ADDED PBM/HMI SHEETS	7/2/12	22609	GES	AEK
K-1	1 ALL	CORRECTED DRYER TO PM045	8/9/13	PXEX0030	AEK	GES
L-1	2 B4	MOVED PRESSURE SENSING LOCATION	3/31/14	PXEX0071	AEK	GES
M-1	1 ALL	ADDED CENTER OF GRAVITY INFORMATION	6/10/14	PXEC0067	AEK	GES
M-2	2 CL B4	CORRECTED CV/SRV/UNION/SEP ORDER ON FLOW	8/12/14	PXEC0067	AEK	GES



LEGEND	
	RELIEF VALVE
	INTAKE FILTER
	AIR FILTER
	3 WAY VALVE
	CARBON FILTER
	BALL VALVE
	PRESSURE SWITCH
	REGULATOR
	SEPARATOR
	CHECK VALVE
	FLEX LINE
	HIGH TEMP SWITCH
	UNION

NOTES:  
 1) IF LAG 3 COMPRESSOR IS ENERGIZED ALARM WILL OCCUR.  
 2) PIPING TO THE INLET BY OTHERS AND TO BE PER NFPA99 4-3.1.1.9(b)  
 3) INSTRUMENTS DOWN STREAM OF SOURCE VALVE TO BE SUPPLIED BY OTHERS.

SYMBOL LEGEND			ADDITIONAL CONTROL REQ'D	Drawings to conform to the current revision of the following ANSI standards:
	MINUS DRAFT		BRINELL HARDNESS	Y14.3 Multi and sectional view dsgs, Y14.5M Dimensioning and tolerancing
TOLERANCES NOT SPECIFIED		AUTOCAD REL2008		DO NOT SCALE DRAWING FOR DIMENSIONS
.XX ±	.XXX ±	<DEG> ±	INCH	Sheet 2 of 2
CONFIDENTIAL DISCLOSURE		DRAWN BY		SCALE 1:10
This drawing is the property of POWEREX, INC. of the SCOTT FETZER COMPANY and subject to return on demand. Its contents are confidential and must not be copied or submitted to outside parties for use or examination.		AEK	GES	DMS
MATERIAL		7/2/12	7/2/12	7/2/12
PART NAME		APPROVED BY		7/2/12
SCROLL QUADPLEX FLOW SCHEMATIC		POWEREX		
DWG NO		MSQ0504		SIZE D