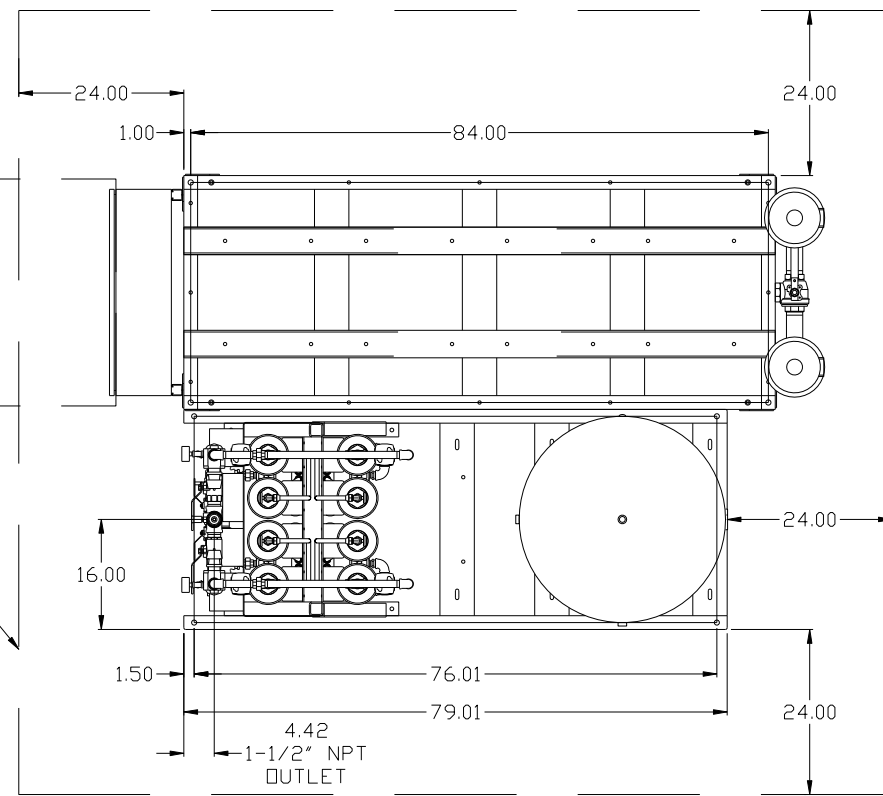


REV	ZONE	REVISION	DATE	ECN	NAME	CHKD
B-1	ALL	RELEASE TO PRODUCTION	06/15/06	21555	RSN	DMS
C-1	2C-4	ADDED MANUAL DRAIN	08/20/07	21669	DMS	GES
D-1	ALL	ADDED NEW STYLE TANK, PANEL, DRYER	2/1/08	21907	AEK	DMS
E-1	C4.D5	ADD ISO VALVE, HANG TAG, TANK GAUGE ADDED 75PSI SRV	02/01/08	21907	DMS	GES
E-2	ALL	UPDATED PUMPS TO E-SERIES	10/27/08	21907	AEK	GES
F-1	2 ALL	UPDATED PIPE SIZES	10/22/09	22127	AEK	GES
G-1	ALL	CHANGED TO POWEREX DRYER	1/14/10	22120	AEK	GES
H-1	ALL	UPDATED MULTI-SCROLL FRAMES	4/27/10	22405	AEK	GES
J-1	ALL	ADDED PBM/HMI SHEETS	7/2/12	22609	AEK	GES
K-1	2 A7-D7	CORRECTED INLET PLUMBING SIZE	4/17/13	PXEC0030	AEK	GES
L-1	ALL	ADDED SHEETS 3 & 4 (CENTER OF GRAVITY INFORMATION)	2/25/14	PXEC0067	AEK	GES
M-1	ALL	UPDATED DRYER OUTLET ORIENTATION	4/1/15	PXEC0100	AEK	GES

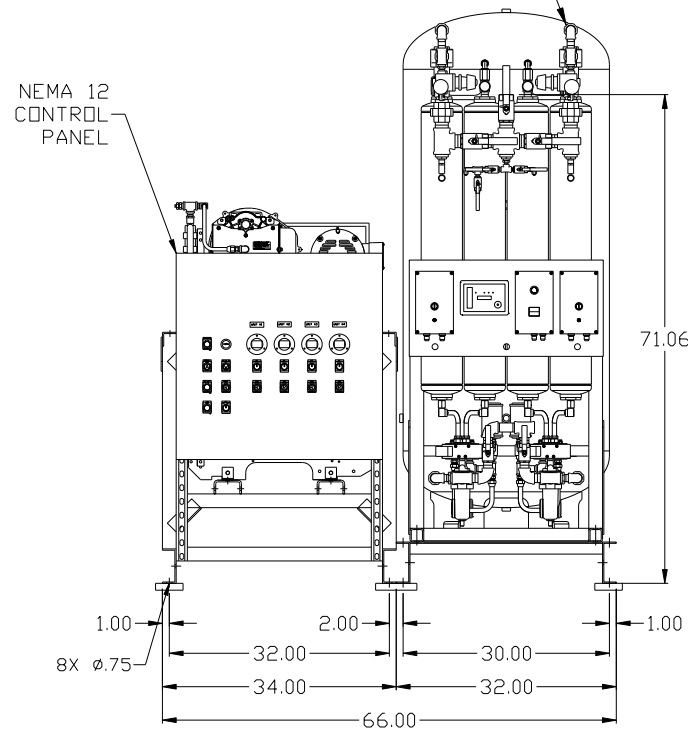
MINIMUM RECOMMENDED ELECTRICAL PANEL CLEARANCE PER OSHA/NEC REQUIREMENTS

MINIMUM RECOMMENDED MAINTENANCE CLEARANCE

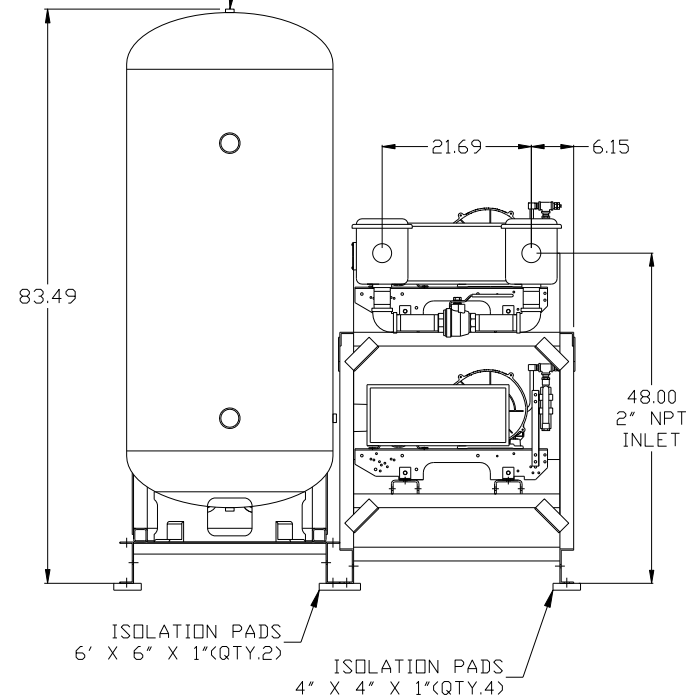


2X DESICCANT DRYERS W/ DEW POINT MONITOR, CARBON MONOXIDE MONITOR, PRE-FILTER, AFTER-FILTER, & CARBON FILTER (OPTIONAL).

NEMA 12 CONTROL PANEL

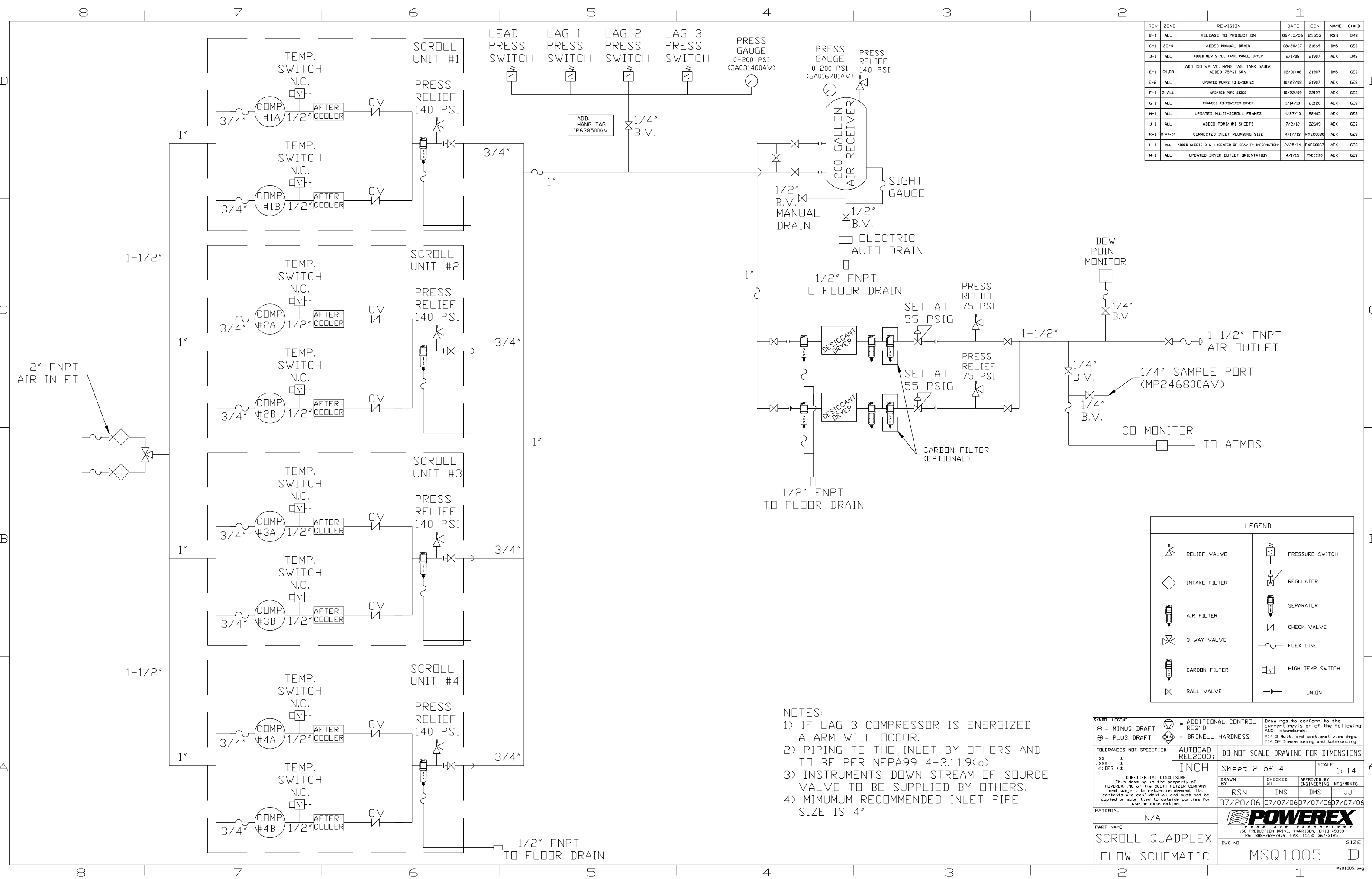


200 GALLON ASME AIR RECEIVER INTERNALLY LINED



NOTE: SYSTEM DESIGNED IN COMPLIANCE WITH US NFPA'99, LATEST EDITION.

<b>SYMBOL LEGEND</b> ⊖ = MINUS DRAFT ⊕ = PLUS DRAFT HRC = BRINELL HARDNESS		= ADDITIONAL CONTROL REQ'D = BRINELL HARDNESS		Drawings to conform to the current revision of the following ANSI standards: Y14.3 Multi and sectional view dsgs. Y14.5M Dimensioning and tolerancing
TOLERANCES NOT SPECIFIED .XX ± .XXX ± <DEG> ±		AUTOCAD REL2000: <b>INCH</b>		DO NOT SCALE DRAWING FOR DIMENSIONS Sheet 1 of 4 SCALE 1:14
<b>CONFIDENTIAL DISCLOSURE</b> This drawing is the property of POWEREX, INC. of the SCOTT FETZER COMPANY and subject to return on demand. Its contents are confidential and must not be copied or submitted to outside parties for use or examination.		DRAWN BY RSN	CHECKED BY DMS	APPROVED BY ENGINEERING MFG/MKTG DMS JJ
MATERIAL N/A		DATE 06/15/06		DATE 07/07/06 07/07/06 07/07/06
PART NAME 10HP 200 GAL BASEMOUNT QUAD DILLESS SCROLL		 150 PRODUCTION DRIVE, HARRISON, OHIO 45030 Ph 888-769-7979 FAX (513) 367-3125		DWG NO <b>MSQ1005</b> SIZE <b>D</b>



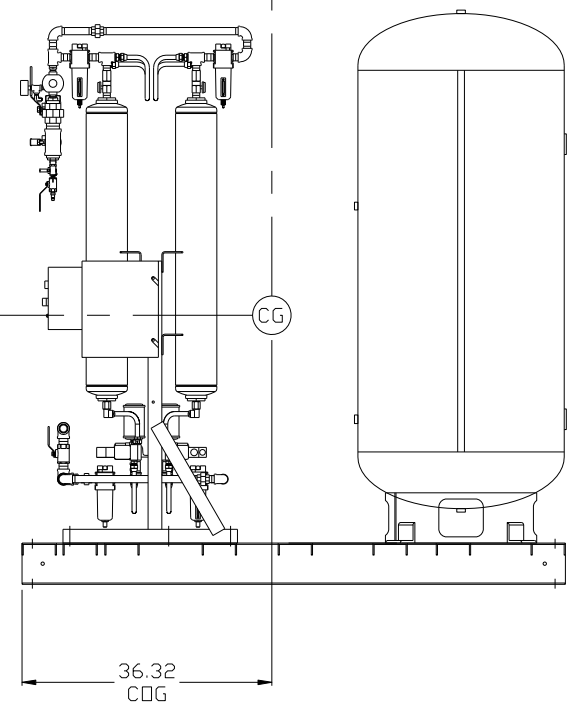
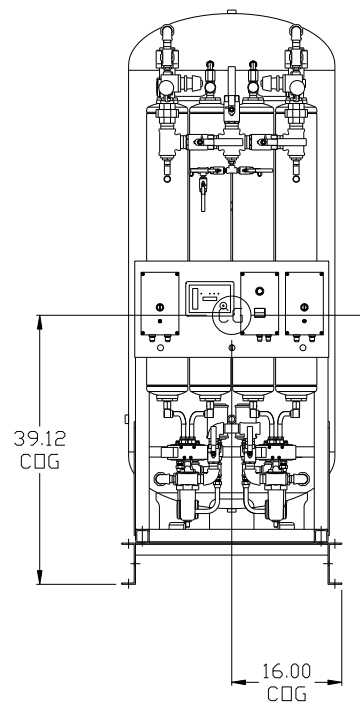
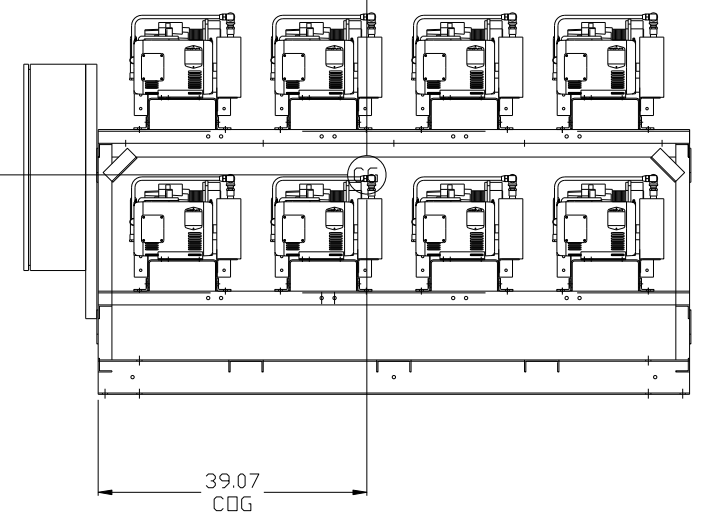
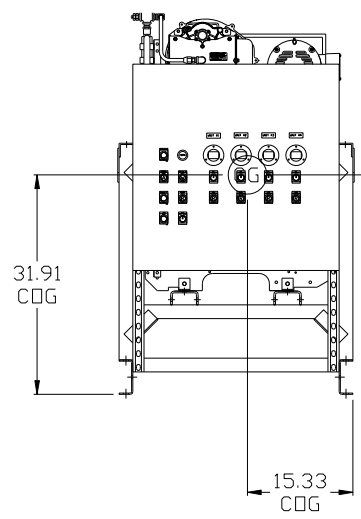
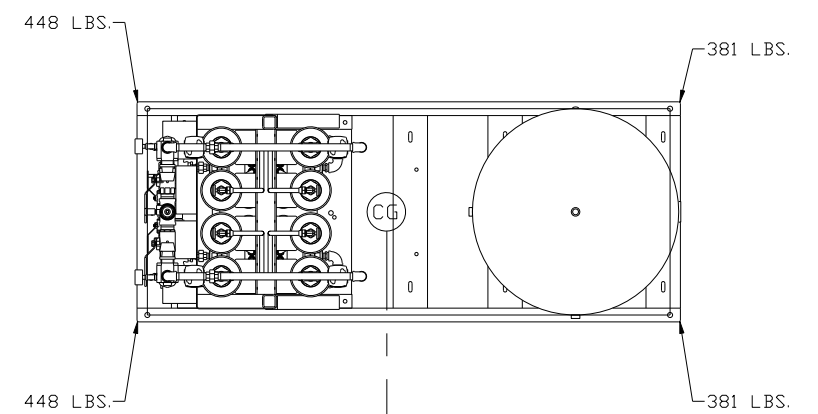
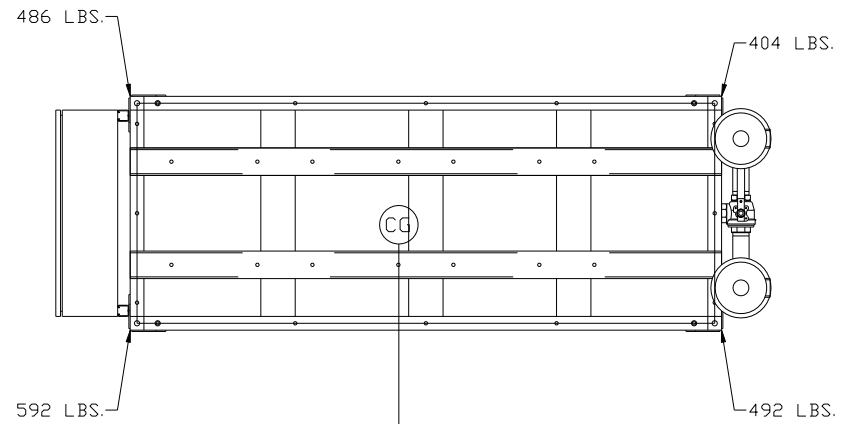
REV	ZONE	REVISION	DATE	ECN	NAME	CHKD
B-1	ALL	RELEASE TO PRODUCTION	06/15/06	21555	RSN	DMS
C-1	2C-4	ADDED MANUAL DRAIN	08/20/07	21669	DMS	GES
D-1	ALL	ADDED NEW STYLE TANK PANEL DRYER	2/1/08	21907	AEK	DMS
E-1	C4.D5	ADD ISO VALVE, HANG TAG, TANK GAUGE ADDED 75PSI SRV	02/01/08	21907	DMS	GES
E-2	ALL	UPDATED PUMPS TO E-SERIES	10/27/08	21907	AEK	GES
F-1	2 ALL	UPDATED PIPE SIZES	10/22/09	22127	AEK	GES
G-1	ALL	CHANGED TO POWEREX DRYER	1/14/10	22120	AEK	GES
H-1	ALL	UPDATED MULTI-SCROLL FRAMES	4/27/10	22405	AEK	GES
J-1	ALL	ADDED PBM/HMI SHEETS	7/2/12	22609	AEK	GES
K-1	2 47-D7	CORRECTED INLET PLUMBING SIZE	4/17/13	PXEC0030	AEK	GES
L-1	ALL	ADDED SHEETS 3 & 4 (CENTER OF GRAVITY INFORMATION)	2/25/14	PXEC0067	AEK	GES
M-1	ALL	UPDATED DRYER OUTLET ORIENTATION	4/1/15	PXEC0100	AEK	GES

LEGEND	
	RELIEF VALVE
	INTAKE FILTER
	AIR FILTER
	3 WAY VALVE
	CARBON FILTER
	BALL VALVE
	PRESSURE SWITCH
	REGULATOR
	SEPARATOR
	CHECK VALVE
	FLEX LINE
	HIGH TEMP SWITCH
	UNION

- NOTES:
- 1) IF LAG 3 COMPRESSOR IS ENERGIZED ALARM WILL OCCUR.
  - 2) PIPING TO THE INLET BY OTHERS AND TO BE PER NFPA99 4-3.1.1.9(b)
  - 3) INSTRUMENTS DOWN STREAM OF SOURCE VALVE TO BE SUPPLIED BY OTHERS.
  - 4) MINIMUM RECOMMENDED INLET PIPE SIZE IS 4"

SYMBOL LEGEND		⊕ = MINUS DRAFT	⊖ = PLUS DRAFT	⊗ = ADDITIONAL CONTROL REQ'D	⊙ = BRINELL HARDNESS	Drawings to conform to the current revision of the following ANSI standards Y14.3 Multi and sectional view dsgs. Y14.5M Dimensioning and tolerancing
TOLERANCES NOT SPECIFIED	AUTOCAD REL2000:	DO NOT SCALE DRAWING FOR DIMENSIONS		Sheet 2 of 4		SCALE 1:14
.XX ±	.XXX ±	INCH				
CONFIDENTIAL DISCLOSURE This drawing is the property of POWEREX, INC. of the SCOTT FETZER COMPANY and subject to return on demand. Its contents are confidential and must not be copied or submitted to outside parties for use or examination.			DRAWN BY	CHECKED BY	APPROVED BY	ENGINEERING MFG/MKTG
			RSN	DMS	DMS	JJ
			07/20/06	07/07/06	07/07/06	07/07/06
MATERIAL N/A			 150 PRODUCTION DRIVE, HARRISON, OHIO 45030 Ph 888-769-7979 FAX (513) 367-3125			
PART NAME SCROLL QUADPLEX FLOW SCHEMATIC			DWG NO MSQ1005		SIZE D	

REV	ZONE	REVISION	DATE	ECN	NAME	CHKD
L-1	ALL	ADDED SHEETS 3 & 4 (CENTER OF GRAVITY INFORMATION)	2/25/14	PXEC0067	AEK	GES
M-1	ALL	UPDATED DRYER OUTLET ORIENTATION	4/1/15	PXEC0088	AEK	GES



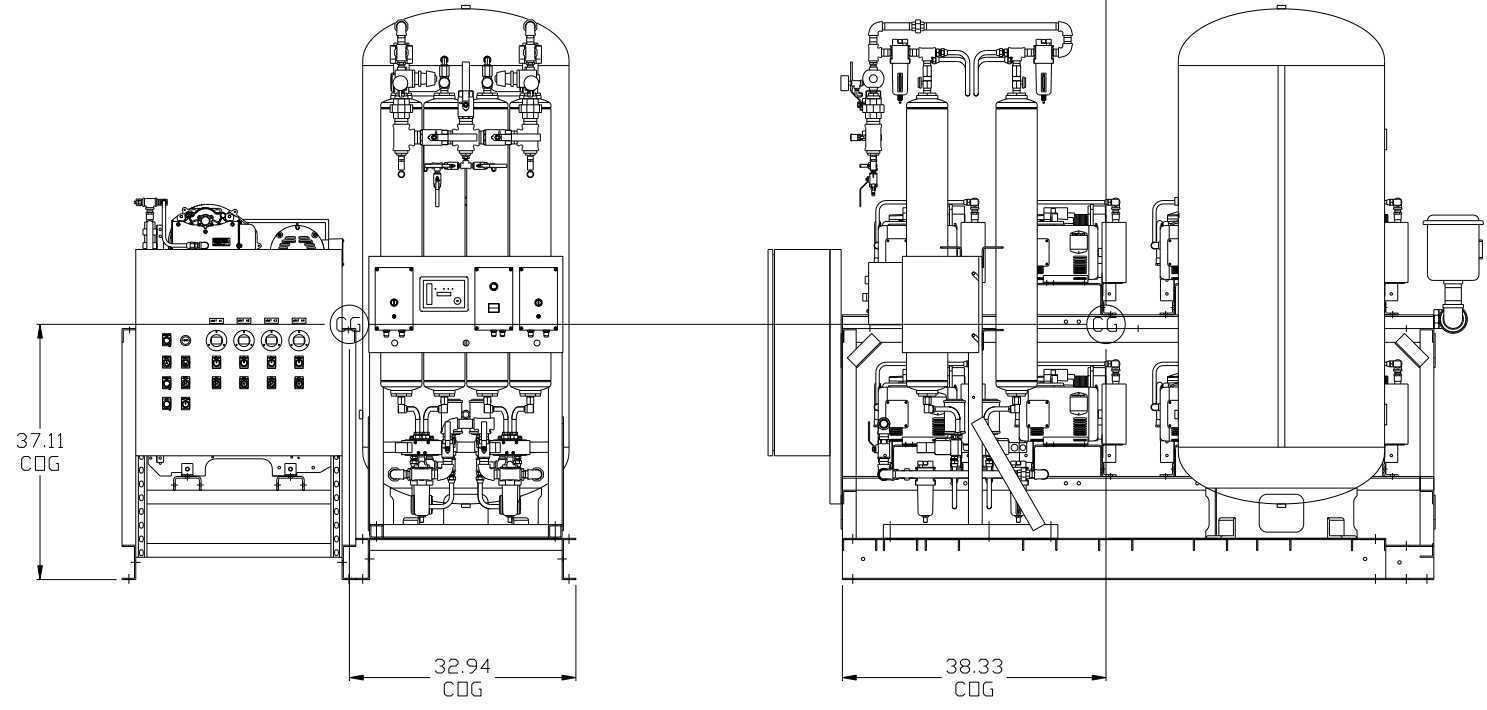
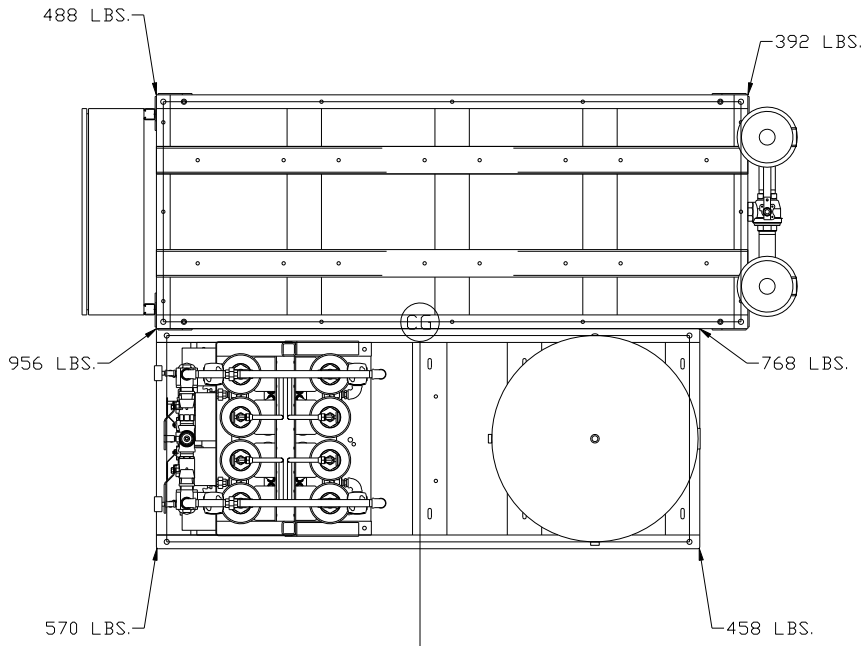
PUMP SKID:  
TOTAL WEIGHT: 1974 LBS  
C.O.G. DIMENSIONS  
X (FRONT): -15.33"  
Y (RIGHT): 39.07"  
Z (HEIGHT): 31.91"

ATC SKID:  
TOTAL WEIGHT: 1658 LBS  
C.O.G. DIMENSIONS  
X (FRONT): -16"  
Y (RIGHT): 36.32"  
Z (HEIGHT): 39.12"

SYMBOL LEGEND		= ADDITIONAL CONTROL REQ'D		Drawings to conform to the current revision of the following ANSI standards:	
⊖	MINUS DRAFT	⊕	PLUS DRAFT	⊖	Y14.3 Multi and sectional view dsgs.
⊕	PLUS DRAFT	⊖	MINUS DRAFT	⊖	Y14.5M Dimensioning and tolerancing
TOLERANCES NOT SPECIFIED		AUTOCAD REL2014 LT		DO NOT SCALE DRAWING FOR DIMENSIONS	
.XX ±		INCH		Sheet 3 of 4	SCALE 1:14
.XXX ±					
<<DEG> ±					
CONFIDENTIAL DISCLOSURE					
This drawing is the property of POWEREX, INC. of the SCOTT FETZER COMPANY and subject to return on demand. Its contents are confidential and must not be copied or submitted to outside parties for use or examination.					
DRAWN BY		CHECKED BY		APPROVED BY	
AEK		GES		DMS JJ	
2/25/14		2/25/14		2/25/14 2/25/14	
MATERIAL		N/A		 150 PRODUCTION DRIVE, HARRISON, OHIO 45030 Ph: 888-769-7979 FAX: (513) 367-3125	
PART NAME		10HP 200 GAL BASEMOUNT		DWG NO	
		QUAD DILLESS SCROLL		MSQ1005	
				SIZE D	

8 7 6 5 4 3 2 1

REV	ZONE	REVISION	DATE	ECN	NAME	CHKD
L-1	ALL	ADDED SHEETS 3 & 4 (CENTER OF GRAVITY INFORMATION)	2/25/14	PXEC0067	AEK	GES
M-1	ALL	UPDATED DRYER OUTLET ORIENTATION	4/1/15	PXEC0088	AEK	GES



SYSTEM:  
 TOTAL WEIGHT: 3632 LBS  
 C.O.G. DIMENSIONS  
 X (FRONT): -32.94"  
 Y (RIGHT): 38.33"  
 Z (HEIGHT): 37.11"

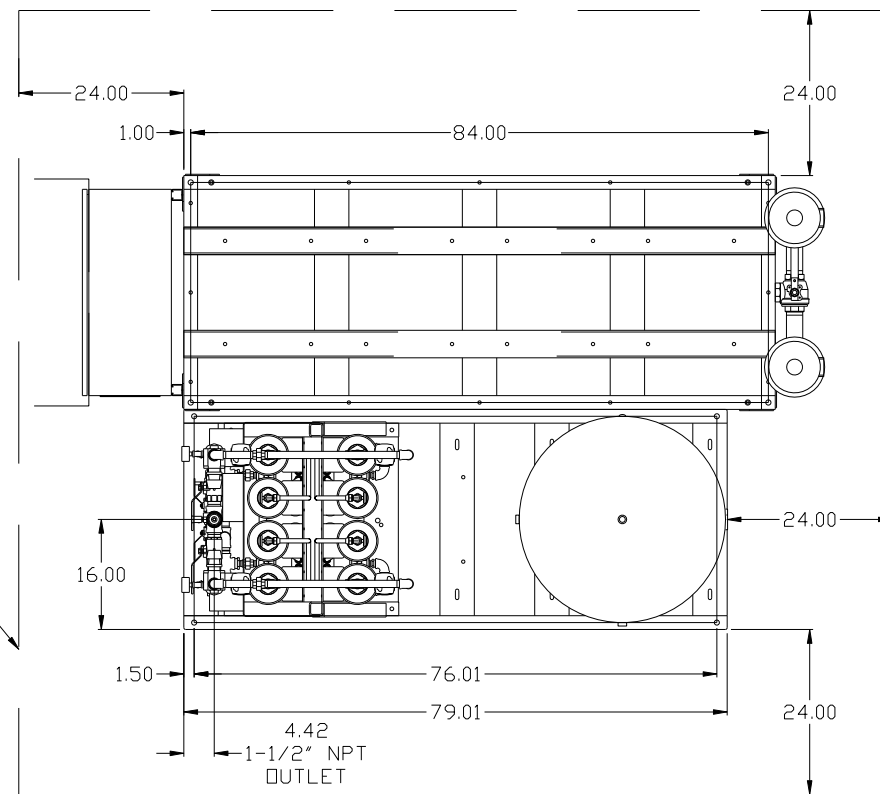
<b>SYMBOL LEGEND</b> ⊖ = MINUS DRAFT ⊕ = PLUS DRAFT ⊕ = ADDITIONAL CONTROL REQ'D HRC = BRINELL HARDNESS		Drawings to conform to the current revision of the following ANSI standards: Y14.3 Multi and sectional view dsgs. Y14.5M Dimensioning and tolerancing	
TOLERANCES NOT SPECIFIED .XX ± .XXX ± <<DEG> ±		DO NOT SCALE DRAWING FOR DIMENSIONS Sheet 4 of 4 SCALE 1:14	
CONFIDENTIAL DISCLOSURE This drawing is the property of POWEREX, INC. of the SCOTT FEITZER COMPANY and subject to return on demand. Its contents are confidential and must not be copied or submitted to outside parties for use or examination.			
MATERIAL N/A		DRAWN BY: AEK CHECKED BY: GES APPROVED BY: DMS, JJ 2/25/14 2/25/14 2/25/14 2/25/14	
PART NAME 10HP 200 GAL BASEMOUNT QUAD DILLESS SCROLL		<b>POWEREX</b> 150 PRODUCTION DRIVE, HARRISON, OHIO 45030 Ph: 888-769-7979 FAX: (513) 367-3125	
DWG NO MSQ1005		SIZE D	

8 7 6 5 4 3 2 1

REV	ZONE	REVISION	DATE	ECN	NAME	CHKD
J-1	ALL	ADDED PBMI/HMI SHEETS	7/2/12	22609	AEK	GES
K-1	2 A7-D7	CORRECTED INLET PLUMBING SIZE	4/17/13	PXEC0030	AEK	GES
L-1	ALL	ADDED SHEETS 3 & 4 (CENTER OF GRAVITY INFORMATION)	2/25/14	PXEC0067	AEK	GES
M-1	ALL	UPDATED DRYER OUTLET ORIENTATION	4/1/15	PXEC0100	AEK	GES

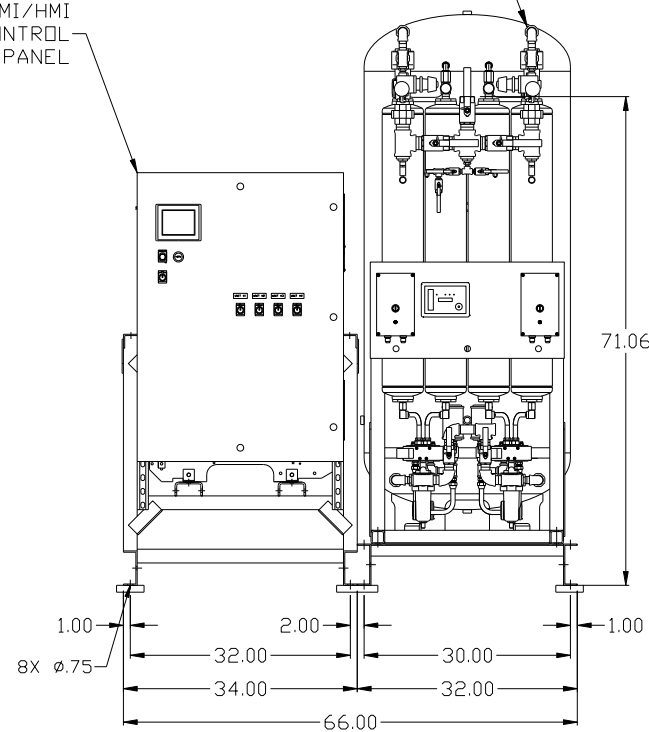
MINIMUM RECOMMENDED ELECTRICAL PANEL CLEARANCE PER OSHA/NEC REQUIREMENTS

MINIMUM RECOMMENDED MAINTENANCE CLEARANCE

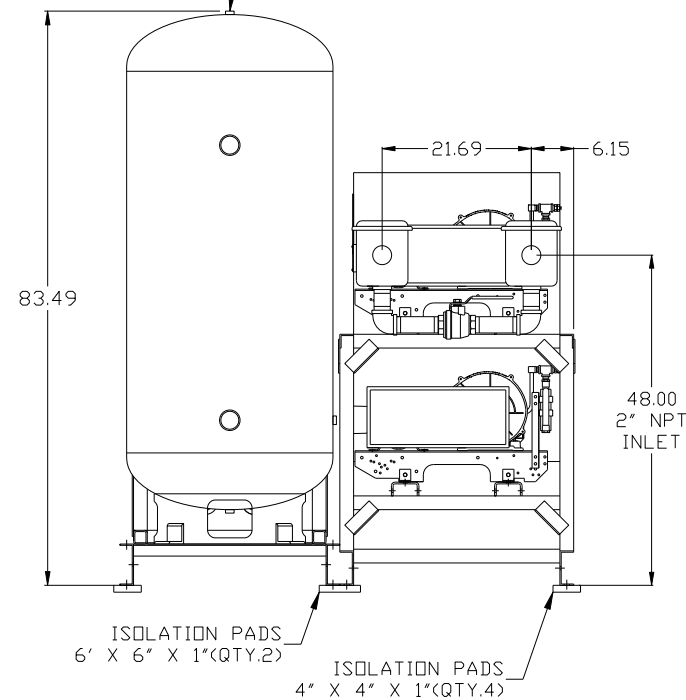


2X DESICCANT DRYERS W/ CARBON MONOXIDE MONITOR, PRE-FILTER, AFTER-FILTER, & CARBON FILTER (OPTIONAL).

PBMI/HMI CONTROL PANEL



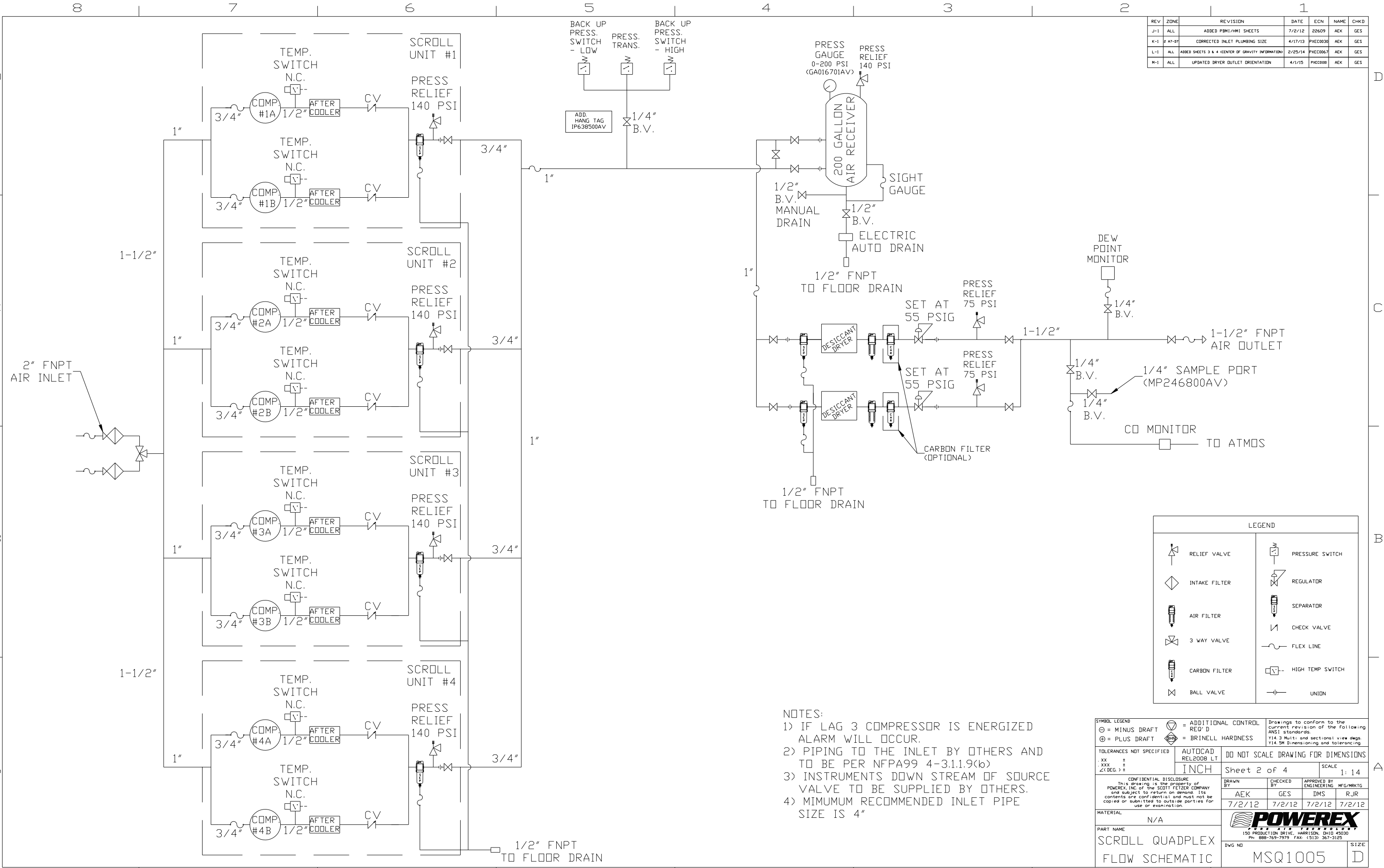
200 GALLON ASME AIR RECEIVER INTERNALLY LINED



NOTE: SYSTEM DESIGNED IN COMPLIANCE WITH US NFPA'99, LATEST EDITION.

SYMBOL LEGEND		= ADDITIONAL CONTROL REQ'D		Drawings to conform to the current revision of the following ANSI standards:	
⊖	MINUS DRAFT	⊕	PLUS DRAFT	⊖	Y14.3 Multi and sectional view dsgs.
⊕	PLUS DRAFT	⊖	MINUS DRAFT	⊖	Y14.5M Dimensioning and tolerancing
⊖	MINUS DRAFT	⊕	PLUS DRAFT	⊖	Y14.9 Brinell Hardness
TOLERANCES NOT SPECIFIED		AUTOCAD REL2008 LT		DO NOT SCALE DRAWING FOR DIMENSIONS	
.XX	±	INCH		Sheet 1 of 4	SCALE 1:14
.XXX	±				
<<DEG>>	±				
CONFIDENTIAL DISCLOSURE: This drawing is the property of POWEREX, INC. of the SCOTT FETZER COMPANY and subject to return on demand. Its contents are confidential and must not be copied or submitted to outside parties for use or examination.					
DRAWN BY		CHECKED BY	APPROVED BY	ENGINEERING MFG/MKTG	
AEK		GES	DMS	RJR	
7/2/12		7/2/12	7/2/12	7/2/12	
MATERIAL		N/A		POWEREX	
PART NAME		10HP 200 GAL BASEMOUNT		150 PRODUCTION DRIVE, HARRISON, OHIO 45030 Ph 888-769-7979 FAX (513) 367-3125	
DWG NO		QUAD DILLESS SCROLL		MSQ1005	
SIZE		D		MSQ1005.dwg	

REV	ZONE	REVISION	DATE	ECN	NAME	CHKD
J-1	ALL	ADDED PBM/HMI SHEETS	7/2/12	22609	AEK	GES
K-1	2 A7-D7	CORRECTED INLET PLUMBING SIZE	4/17/13	PXEC0030	AEK	GES
L-1	ALL	ADDED SHEETS 3 & 4 (CENTER OF GRAVITY INFORMATION)	2/25/14	PXEC0067	AEK	GES
M-1	ALL	UPDATED DRYER OUTLET ORIENTATION	4/1/15	PXEC0100	AEK	GES

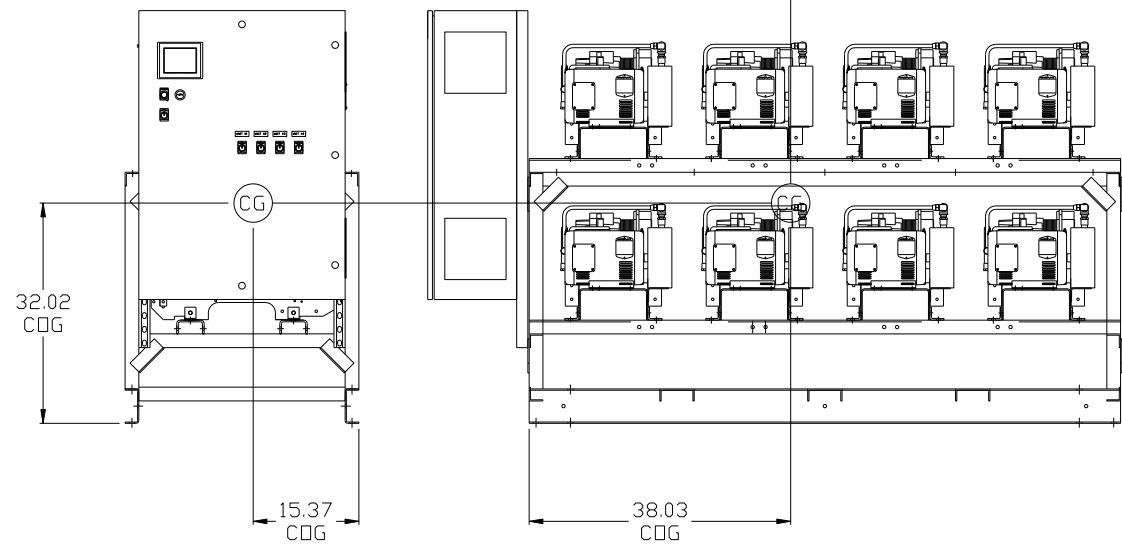
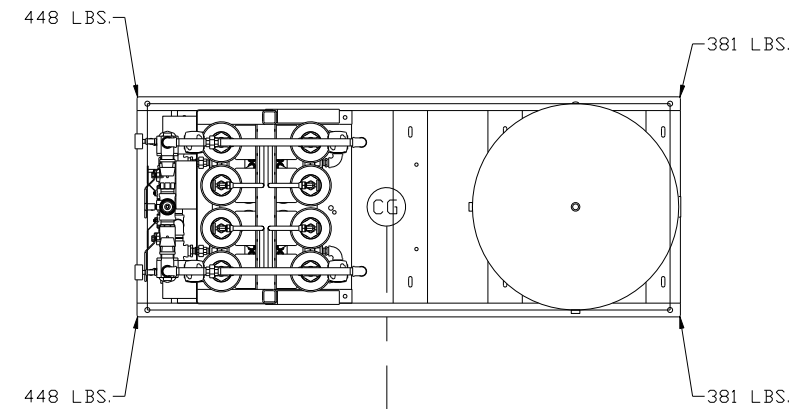
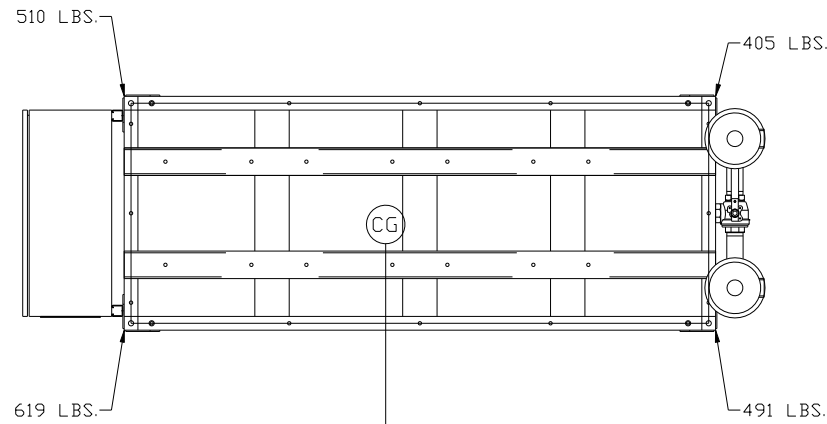


	RELIEF VALVE		PRESSURE SWITCH
	INTAKE FILTER		REGULATOR
	AIR FILTER		SEPARATOR
	3 WAY VALVE		CHECK VALVE
	CARBON FILTER		FLEX LINE
	BALL VALVE		HIGH TEMP SWITCH
			UNION

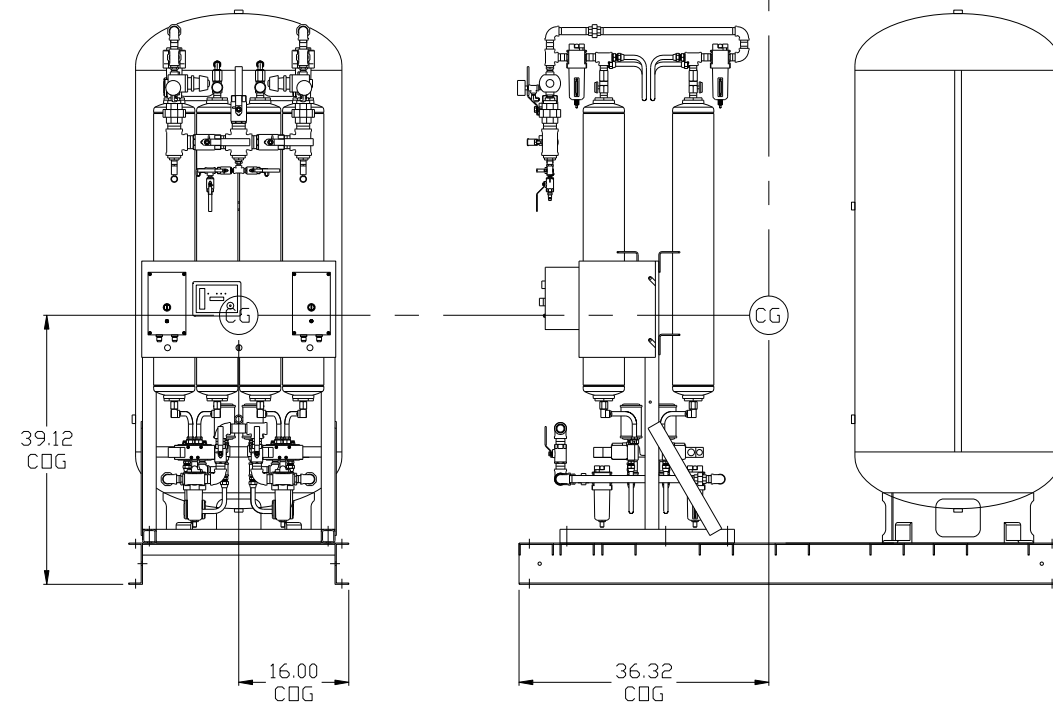
- NOTES:
- 1) IF LAG 3 COMPRESSOR IS ENERGIZED ALARM WILL OCCUR.
  - 2) PIPING TO THE INLET BY OTHERS AND TO BE PER NFPA99 4-3.1.1.9(b)
  - 3) INSTRUMENTS DOWN STREAM OF SOURCE VALVE TO BE SUPPLIED BY OTHERS.
  - 4) MINIMUM RECOMMENDED INLET PIPE SIZE IS 4"

SYMBOL LEGEND		= ADDITIONAL CONTROL REQ'D		Drawings to conform to the current revision of the following ANSI standards	
= MINUS DRAFT		= BRINELL HARDNESS		Y14.3 Multi and sectional view dgs. Y14.5M Dimensioning and tolerancing	
= PLUS DRAFT		AUTOCAD REL2008 LT		DO NOT SCALE DRAWING FOR DIMENSIONS	
TOLERANCES NOT SPECIFIED		INCH		Sheet 2 of 4	
.XX ±				SCALE 1:14	
.XXX ±					
<< DEG >> ±					
CONFIDENTIAL DISCLOSURE This drawing is the property of POWEREX, INC. of the SCOTT FETZER COMPANY and subject to return on demand. Its contents are confidential and must not be copied or submitted to outside parties for use or examination.					
DRAWN BY		CHECKED BY		APPROVED BY	
AEK		GES		DMS RJR	
7/2/12		7/2/12		7/2/12 7/2/12	
MATERIAL		N/A		 150 PRODUCTION DRIVE, HARRISON, OHIO 45030 Ph 888-769-7979 FAX (513) 367-3125	
PART NAME		SCROLL QUADPLEX		SIZE	
		FLOW SCHEMATIC		D	
		DWG NO		MSQ1005	

REV	ZONE	REVISION	DATE	ECN	NAME	CHKD
L-1	ALL	ADDED SHEETS 3 & 4 (CENTER OF GRAVITY INFORMATION)	2/25/14	PXEC0067	AEK	GES
M-1	ALL	UPDATED DRYER OUTLET ORIENTATION	4/1/15	PXEC0088	AEK	GES



PUMP SKID:  
 TOTAL WEIGHT: 2024 LBS  
 C.O.G. DIMENSIONS  
 X (FRONT): -15.37"  
 Y (RIGHT): 38.03"  
 Z (HEIGHT): 32.02"



ATC SKID:  
 TOTAL WEIGHT: 1658 LBS  
 C.O.G. DIMENSIONS  
 X (FRONT): -16"  
 Y (RIGHT): 36.32"  
 Z (HEIGHT): 39.12"

SYMBOL LEGEND		⊕ = MINUS DRAFT	⊖ = PLUS DRAFT	⊕ = ADDITIONAL CONTROL REQ'D	⊖ = BRINELL HARDNESS	Drawings to conform to the current revision of the following ANSI standards: Y14.3 Multi and sectional view dgs. Y14.5M Dimensioning and tolerancing
---------------	--	-----------------	----------------	------------------------------	----------------------	--

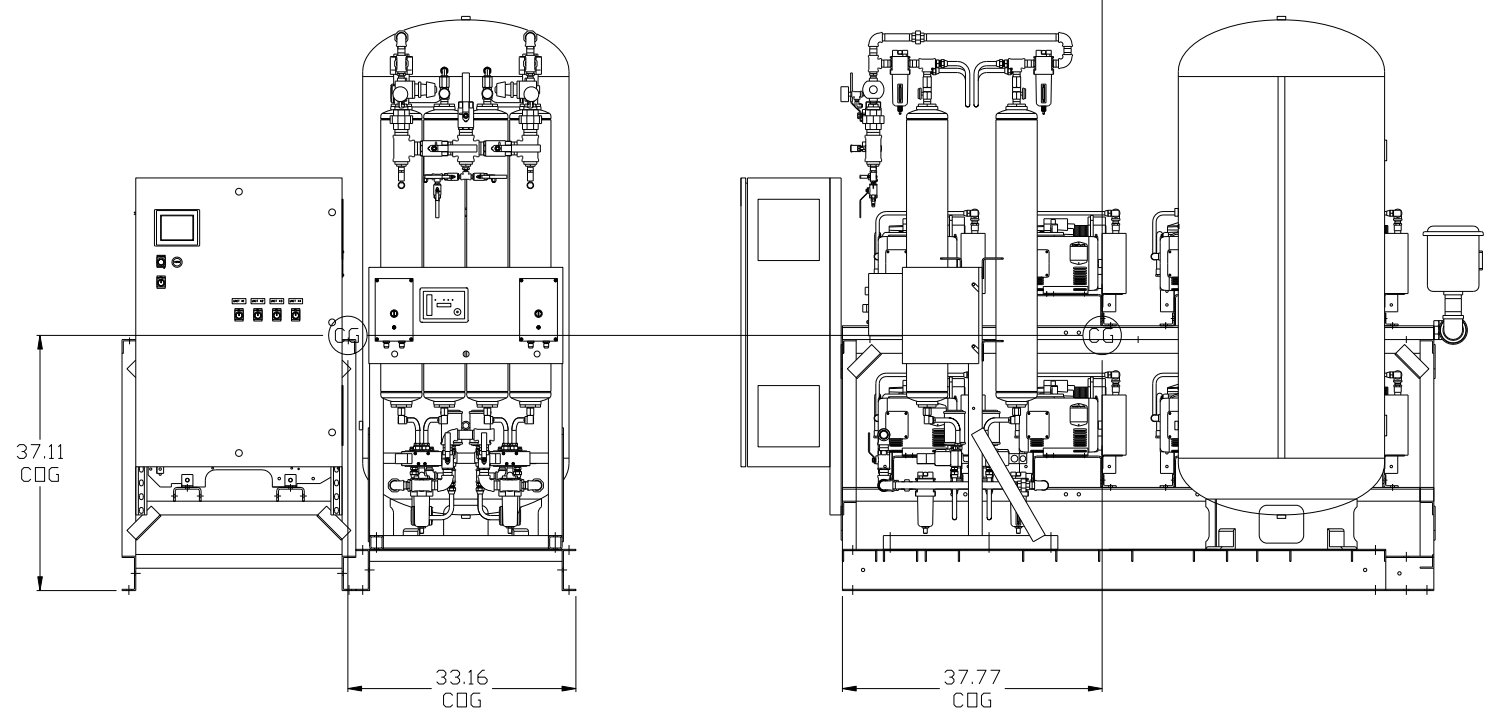
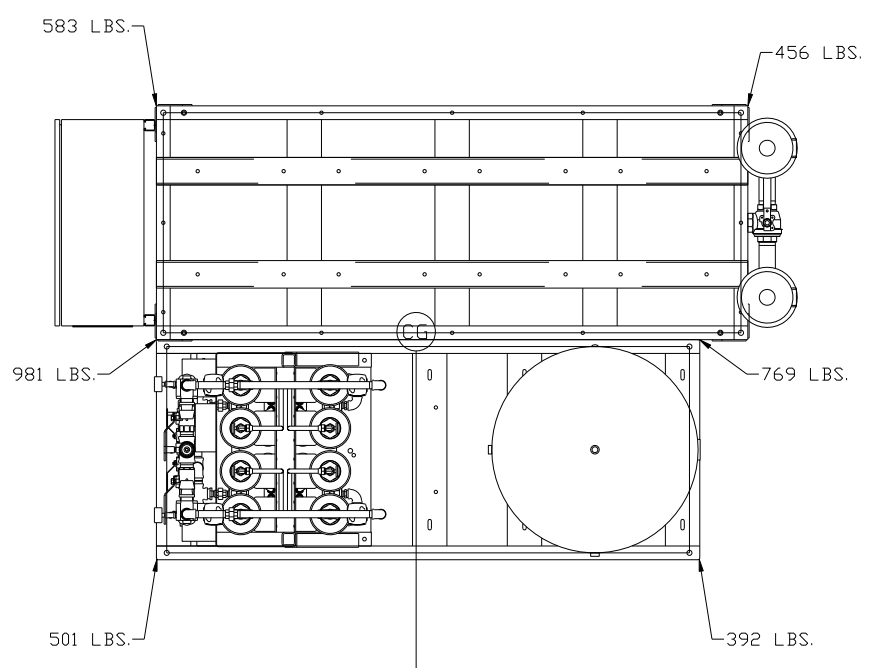
TOLERANCES NOT SPECIFIED	AUTOCAD REL2014 LT	DO NOT SCALE DRAWING FOR DIMENSIONS	
.XX ±	INCH	Sheet 3 of 4	SCALE 1:14

CONFIDENTIAL DISCLOSURE This drawing is the property of POWEREX, INC. of the SCOTT FETZER COMPANY and subject to return on demand. Its contents are confidential and must not be copied or submitted to outside parties for use or examination.			
DRAWN BY	CHECKED BY	APPROVED BY	ENGINEERING MFG/MKTG
AEK	GES	DMS	JJ
2/25/14	2/25/14	2/25/14	2/25/14

MATERIAL	N/A	 150 PRODUCTION DRIVE, HARRISON, OHIO 45030 Ph: 888-769-7979 FAX: (513) 367-3125
PART NAME	10HP 200 GAL BASEMOUNT	
QUAD DILLESS SCROLL		
DWG NO	MSQ1005	SIZE D

8 7 6 5 4 3 2 1

REV	ZONE	REVISION	DATE	ECN	NAME	CHKD
L-1	ALL	ADDED SHEETS 3 & 4 (CENTER OF GRAVITY INFORMATION)	2/25/14	PXEC0067	AEK	GES
M-1	ALL	UPDATED DRYER OUTLET ORIENTATION	4/1/15	PXEC0088	AEK	GES



SYSTEM:  
 TOTAL WEIGHT: 3682 LBS  
 C.O.G. DIMENSIONS  
 X (FRONT): -33.16"  
 Y (RIGHT): 37.77"  
 Z (HEIGHT): 37.11"

<b>SYMBOL LEGEND</b> ⊖ = MINUS DRAFT ⊕ = PLUS DRAFT ⊕ = ADDITIONAL CONTROL REQ'D HRC = BRINELL HARDNESS		Drawings to conform to the current revision of the following ANSI standards: Y14.3 Multi and sectional view dsgs. Y14.5M Dimensioning and tolerancing	
TOLERANCES NOT SPECIFIED .XX ± .XXX ± <<DEG> ±		AUTOCAD REL2014 LT INCH DO NOT SCALE DRAWING FOR DIMENSIONS Sheet 4 of 4 SCALE 1:14	
CONFIDENTIAL DISCLOSURE This drawing is the property of POWEREX, INC. of the SCOTT FEITZER COMPANY and subject to return on demand. Its contents are confidential and must not be copied or submitted to outside parties for use or examination.			
DRAWN BY AEK 2/25/14		CHECKED BY GES 2/25/14	
APPROVED BY DMS 2/25/14		ENGINEERING MFG/MRKTG JJ 2/25/14	
MATERIAL N/A		PART NAME 10HP 200 GAL BASEMOUNT QUAD DILLESS SCROLL	
DWG NO MSQ1005		SIZE D	

8 7 6 5 4 3 2 1