

| REV | ZONE | REVISION  | DATE     | ECN      | NAME | CHKD |
|-----|------|---|----------|----------|------|------|
| B-1 | ALL  | RELEASE TO PRODUCTION   | 1/29/15  | PXEC0057 | AEK  | DMS  |
| C-1 | ALL  | UPDATED SKID FRAME TO CORRECT WIDTH   | 2/5/15   | PXEC0057 | JBE  | AEK  |
| D-1 | ALL  | WAVE 1 SMALL FOOTPRINT REDESIGN   | 2/23/15  | PXEC0057 | JBE  | AEK  |
| E-1 | ALL  | UPDATED TO CURRENT DRAWING STANDARDS  | 10/13/16 | PXEC0167 | AEK  | GES  |
| F-1 | ALL  | CORRECTED SEPARATOR DRAIN LINES TO 1/4" ADD'D NOTE TO REMOVE SEPARATOR FLIDAT CORRECTED VIEW POSITIONING ADD'D OVERALL DIMENSIONS ADD'D OUTLINE FOR RECOMMENDED CLEARANCES UPDATED INLET TREE | 01/11/17 | PXEC0167 | MJD  | GES  |

MINIMUM RECOMMENDED ELECTRICAL PANEL CLEARANCE PER OSHA/NEC REQUIREMENTS

8X Ø0.75

MINIMUM RECOMMENDED MAINTENANCE CLEARANCE

INLET 3"

2X DESICCANT DRYER W/ DEW POINT MONITOR, CARBON MONOXIDE MONITOR, PRE FILTER, AFTER FILTER & OPTIONAL CHARCOAL FILTER.

200 GALLON ASME AIR RECEIVER INTERNALLY LINED

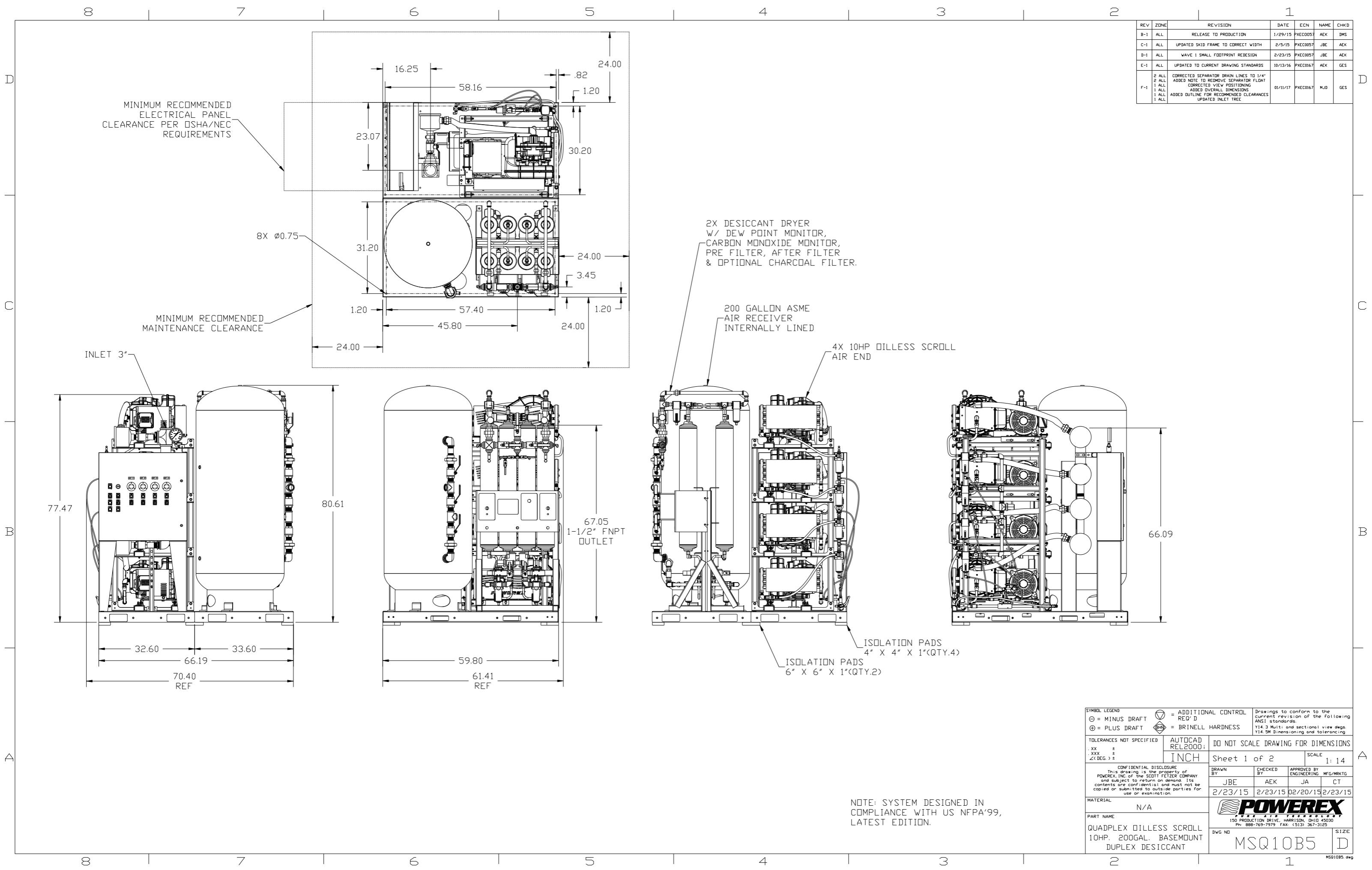
4X 10HP OILLESS SCROLL AIR END

ISOLATION PADS 4" X 4" X 1"(QTY.4)

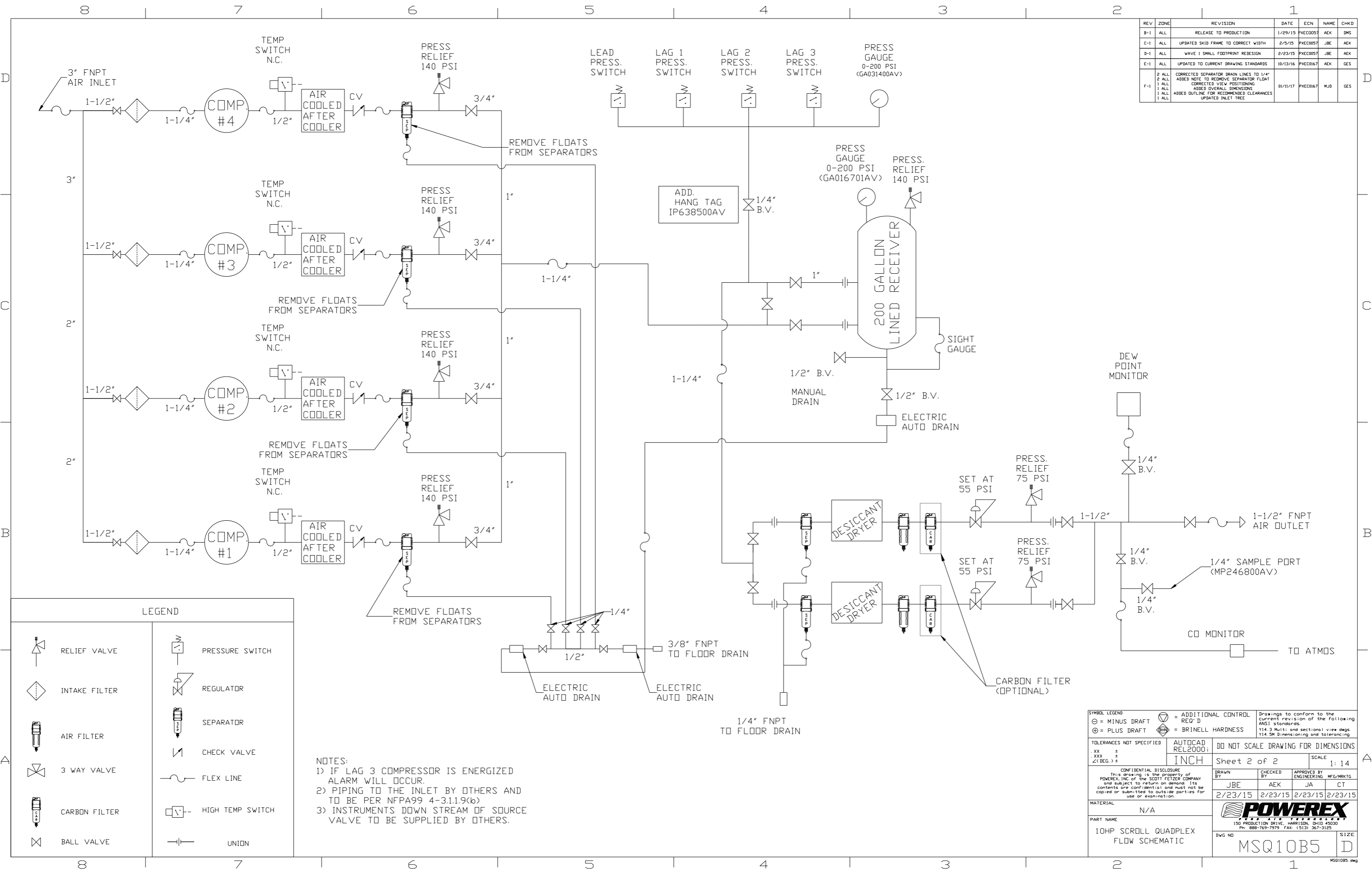
ISOLATION PADS 6" X 6" X 1"(QTY.2)

NOTE: SYSTEM DESIGNED IN COMPLIANCE WITH US NFPA'99, LATEST EDITION.

|   |  |   |  |
|---|--|---|--|
| <b>SYMBOL LEGEND</b><br>⊖ = MINUS DRAFT<br>⊕ = PLUS DRAFT<br>⊕ = ADDITIONAL CONTROL REQ'D<br>HRC = BRINELL HARDNESS   |  | Drawings to conform to the current revision of the following ANSI standards:<br>Y14.3 Multi and sectional view dwgs.<br>Y14.5M Dimensioning and tolerancing |  |
| TOLERANCES NOT SPECIFIED<br>.XX ±<br>.XXX ±<br><<BEG. > ±   |  | AUTOCAD REL2000<br>DO NOT SCALE DRAWING FOR DIMENSIONS<br>Sheet 1 of 2<br>SCALE 1:14  |  |
| CONFIDENTIAL DISCLOSURE<br>This drawing is the property of POWEREX, INC. of the SCOTT FETZER COMPANY and is subject to return on demand. Its contents are confidential and must not be copied or submitted to outside parties for use or examination. |  | DRAWN BY: JBE<br>CHECKED BY: AEK<br>APPROVED BY: JA<br>MFG/MKTG: CT<br>2/23/15 2/23/15 02/20/15 2/23/15   |  |
| MATERIAL: N/A   |  | <b>POWEREX</b><br>150 PRODUCTION DRIVE, HARRISON, OHIO 45030<br>Ph: 888-769-7979 FAX: (513) 367-3125  |  |
| PART NAME: QUADPLEX OILLESS SCROLL 10HP, 200GAL. BASEMOUNT DUPLEX DESICCANT   |  | DWG NO: MSQ10B5<br>SIZE: D  |  |



| REV | ZONE  | REVISION                                 | DATE     | ECN      | NAME | CHKD |
|-----|-------|--|----------|----------|------|------|
| B-1 | ALL   | RELEASE TO PRODUCTION                    | 1/29/15  | PXEC0057 | AEK  | DMS  |
| C-1 | ALL   | UPDATED SKID FRAME TO CORRECT WIDTH      | 2/5/15   | PXEC0057 | JBE  | AEK  |
| D-1 | ALL   | WAVE 1 SMALL FOOTPRINT REDESIGN          | 2/23/15  | PXEC0057 | JBE  | AEK  |
| E-1 | ALL   | UPDATED TO CURRENT DRAWING STANDARDS     | 10/13/16 | PXEC0167 | AEK  | GES  |
| F-1 | ALL   | CORRECTED SEPARATOR DRAIN LINES TO 1/4"  |          |          |      |      |
|     | 2 ALL | ADDED NOTE TO REMOVE SEPARATOR FLOAT     |          |          |      |      |
|     | 1 ALL | CORRECTED VIEW POSITIONING               | 01/11/17 | PXEC0167 | MJD  | GES  |
|     | 1 ALL | ADDED OVERALL DIMENSIONS                 |          |          |      |      |
|     | 1 ALL | ADDED OUTLINE FOR RECOMMENDED CLEARANCES |          |          |      |      |
|     | 1 ALL | UPDATED INLET TREE                       |          |          |      |      |



**LEGEND**

|  |               |  |                  |
|--|---------------|--|------------------|
|  | RELIEF VALVE  |  | PRESSURE SWITCH  |
|  | INTAKE FILTER |  | REGULATOR        |
|  | AIR FILTER    |  | SEPARATOR        |
|  | 3 WAY VALVE   |  | CHECK VALVE      |
|  | CARBON FILTER |  | FLEX LINE        |
|  | BALL VALVE    |  | HIGH TEMP SWITCH |
|  |               |  | UNION            |

**NOTES:**  
 1) IF LAG 3 COMPRESSOR IS ENERGIZED ALARM WILL OCCUR.  
 2) PIPING TO THE INLET BY OTHERS AND TO BE PER NFPA99 4-3.1.1.9(b)  
 3) INSTRUMENTS DOWN STREAM OF SOURCE VALVE TO BE SUPPLIED BY OTHERS.

|   |             |                            |            |   |                  |
|---|-------------|----------------------------|------------|---|------------------|
| SYMBOL LEGEND   |             | = ADDITIONAL CONTROL REQ'D |            | Drawings to conform to the current revision of the following ANSI standards |                  |
| ⊖   | MINUS DRAFT | ⊕                          | PLUS DRAFT | ⊖   | BRINELL HARDNESS |
| TOLERANCES NOT SPECIFIED  |             | AUTOCAD REL2000: INCH      |            | DO NOT SCALE DRAWING FOR DIMENSIONS   |                  |
| .XX ±   |             |                            |            | Sheet 2 of 2  |                  |
| <DEG> ±   |             |                            |            | SCALE 1:14  |                  |
| CONFIDENTIAL DISCLOSURE   |             |                            |            |   |                  |
| This drawing is the property of POWEREX, INC. of the SCOTT FETZER COMPANY and subject to return on demand. Its contents are confidential and must not be copied or submitted to outside parties for use or examination. |             |                            |            |   |                  |
| DRAWN BY  |             | CHECKED BY                 |            | APPROVED BY   |                  |
| JBE   |             | AEK                        |            | JA CT   |                  |
| 2/23/15   |             | 2/23/15                    |            | 2/23/15   |                  |
| MATERIAL N/A  |             |                            |            |   |                  |
| PART NAME   |             |                            |            | SIZE  |                  |
| 10HP SCROLL QUADPLEX FLOW SCHEMATIC   |             |                            |            | MSQ10B5 D   |                  |

| REV | ZONE                                      | REVISION  | DATE     | ECN      | NAME | CHKD |
|-----|---|---|----------|----------|------|------|
| B-1 | ALL                                       | RELEASE TO PRODUCTION   | 1/29/15  | PXEC0057 | AEK  | DMS  |
| C-1 | ALL                                       | UPDATED SKID FRAME TO CORRECT WIDTH   | 2/5/15   | PXEC0057 | JBE  | AEK  |
| D-1 | ALL                                       | WAVE 1 SMALL FOOTPRINT REDESIGN   | 2/23/15  | PXEC0057 | JBE  | AEK  |
| E-1 | ALL                                       | UPDATED TO CURRENT DRAWING STANDARDS  | 10/13/16 | PXEC0167 | AEK  | GES  |
| F-1 | 2 ALL<br>1 ALL<br>1 ALL<br>1 ALL<br>1 ALL | CORRECTED SEPARATOR DRAIN LINES TO 1/4"<br>ADDED NOTE TO REMOVE SEPARATOR FLGAT<br>CORRECTED VIEW POSITIONING<br>ADDED OVERALL DIMENSIONS<br>ADDED OUTLINE FOR RECOMMENDED CLEARANCES<br>UPDATED INLET TREE | 01/11/17 | PXEC0167 | MJD  | GES  |

MINIMUM RECOMMENDED ELECTRICAL PANEL CLEARANCE PER OSHA/NEC REQUIREMENTS

MINIMUM RECOMMENDED MAINTENANCE CLEARANCE


2X DESICCANT DRYER W/ CARBON MONOXIDE MONITOR, PRE FILTER, AFTER FILTER & OPTIONAL CHARCOAL FILTER.

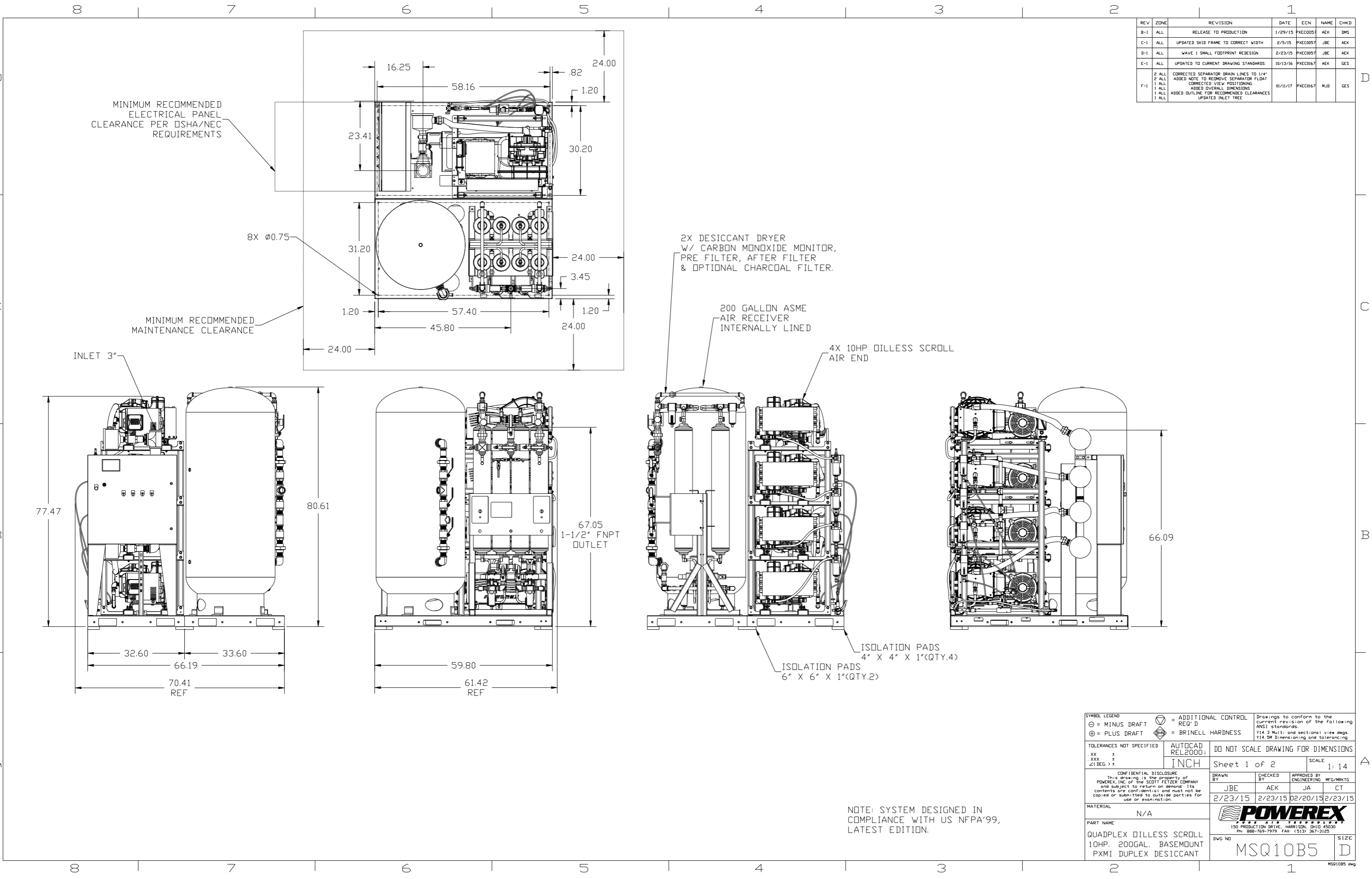
200 GALLON ASME AIR RECEIVER INTERNALLY LINED

4X 10HP OILLESS SCROLL AIR END

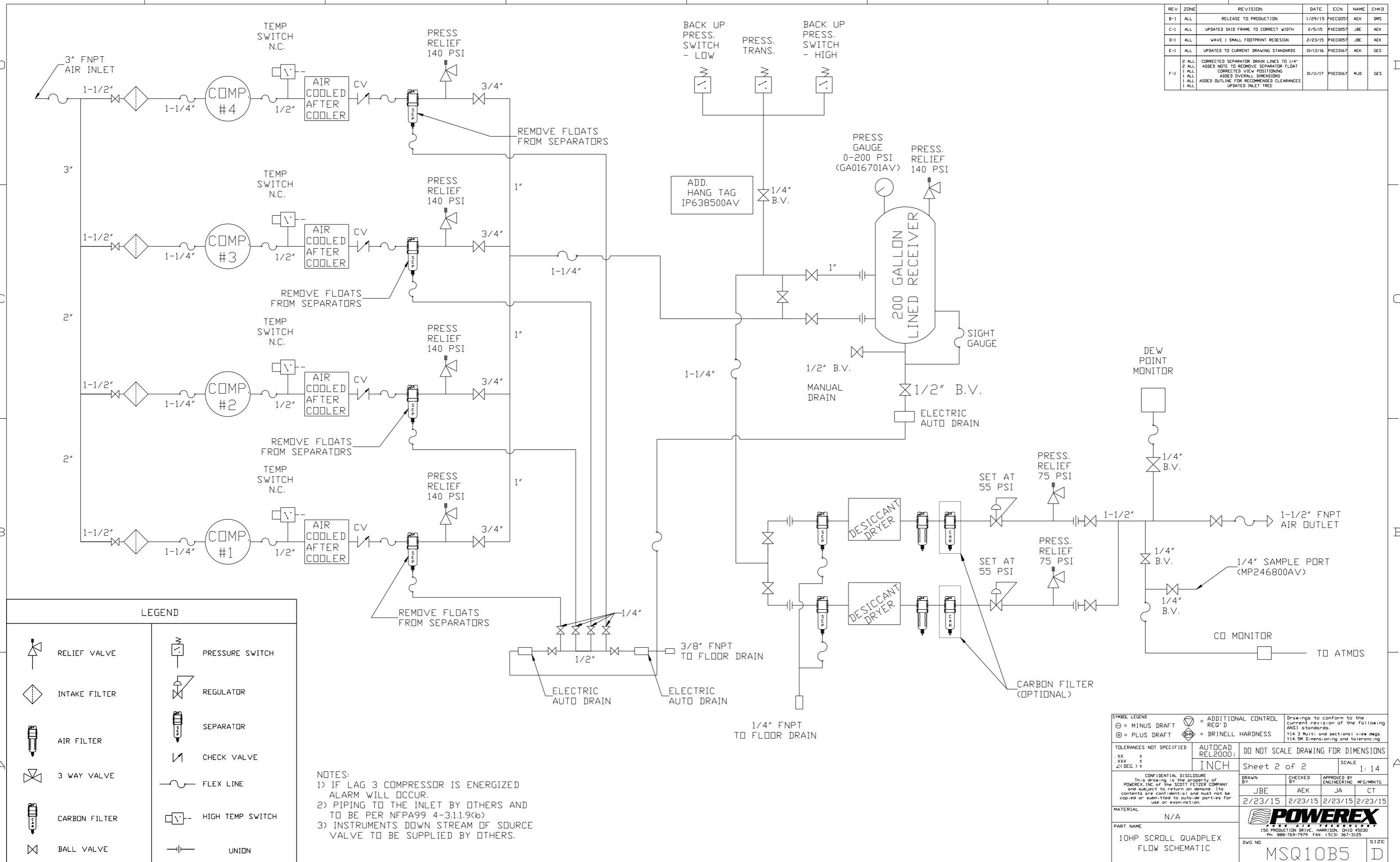
ISOLATION PADS 4" X 4" X 1"(QTY.4)  
ISOLATION PADS 6" X 6" X 1"(QTY.2)

NOTE: SYSTEM DESIGNED IN COMPLIANCE WITH US NFPA'99, LATEST EDITION.

|  |  |   |  |
|--|--|---|--|
| <b>SYMBOL LEGEND</b><br>⊖ = MINUS DRAFT<br>⊕ = PLUS DRAFT<br>⊗ = ADDITIONAL CONTROL REQ'D<br>⊛ = BRINELL HARDNESS  |  | Drawings to conform to the current revision of the following ANSI standards:<br>Y14.3 Multi and sectional view dgs<br>Y14.5M Dimensioning and tolerancing                   |  |
| TOLERANCES NOT SPECIFIED:<br>.XX ±<br>.XXX ±<br><DEG. ±  |  | AUTOCAD REL2000:<br>INCH<br>DO NOT SCALE DRAWING FOR DIMENSIONS<br>Sheet 1 of 2<br>SCALE 1:14   |  |
| <b>CONFIDENTIAL DISCLOSURE</b><br>This drawing is the property of POWEREX, INC. of the SCOTT FEITZER COMPANY and subject to return on demand. Its contents are confidential and must not be copied or submitted to outside parties for use or examination. |  |   |  |
| DRAWN BY: JBE<br>CHECKED BY: AEK<br>DATE: 2/23/15  |  | APPROVED BY: JA<br>ENGINEERING: CT<br>DATE: 02/20/15  |  |
| MATERIAL: N/A  |  | <br>150 PRODUCTION DRIVE, HARRISON, OHIO 45030<br>Ph: 888-769-7979 FAX: (513) 367-3125 |  |
| PART NAME: QUADPLEX OILLESS SCROLL 10HP, 200GAL. BASEMOUNT PXMI DUPLEX DESICCANT   |  | DWG NO: MSQ10B5<br>SIZE: D  |  |



| REV | ZONE | REVISION                                 | DATE     | ECN      | NAME | CHKD |
|-----|------|--|----------|----------|------|------|
| B-1 | ALL  | RELEASE TO PRODUCTION                    | 1/29/15  | PXEC0057 | AEK  | DMS  |
| C-1 | ALL  | UPDATED SKID FRAME TO CORRECT WIDTH      | 2/5/15   | PXEC0057 | JBE  | AEK  |
| D-1 | ALL  | WAVE 1 SMALL FOOTPRINT REDESIGN          | 2/23/15  | PXEC0057 | JBE  | AEK  |
| E-1 | ALL  | UPDATED TO CURRENT DRAWING STANDARDS     | 10/13/16 | PXEC0167 | AEK  | GES  |
| F-1 | ALL  | CORRECTED SEPARATOR DRAIN LINES TO 1/4"  | 01/11/17 | PXEC0167 | MJD  | GES  |
| F-1 | ALL  | ADDED NOTE TO REMOVE SEPARATOR FLOAT     |          |          |      |      |
| F-1 | ALL  | CORRECTED VIEW POSITIONING               |          |          |      |      |
| F-1 | ALL  | ADDED OVERALL DIMENSIONS                 |          |          |      |      |
| F-1 | ALL  | ADDED OUTLINE FOR RECOMMENDED CLEARANCES |          |          |      |      |
| F-1 | ALL  | UPDATED INLET TREE                       |          |          |      |      |



**LEGEND**

|  |               |  |                  |
|--|---------------|--|------------------|
|  | RELIEF VALVE  |  | PRESSURE SWITCH  |
|  | INTAKE FILTER |  | REGULATOR        |
|  | AIR FILTER    |  | SEPARATOR        |
|  | 3 WAY VALVE   |  | CHECK VALVE      |
|  | CARBON FILTER |  | FLEX LINE        |
|  | BALL VALVE    |  | HIGH TEMP SWITCH |
|  |               |  | UNION            |

**NOTES:**  
 1) IF LAG 3 COMPRESSOR IS ENERGIZED ALARM WILL OCCUR.  
 2) PIPING TO THE INLET BY OTHERS AND TO BE PER NFPA99 4-3.1.9(b)  
 3) INSTRUMENTS DOWN STREAM OF SOURCE VALVE TO BE SUPPLIED BY OTHERS.

|   |                |                                     |                |  |            |
|---|----------------|-------------------------------------|----------------|--|------------|
| SYMBOL LEGEND   |                | ADDITIONAL CONTROL                  |                | Drawings to conform to the current revision of the following ANSI standards.           |            |
| ⊖ = MINUS DRAFT   | ⊕ = PLUS DRAFT | ⊖ = MINUS DRAFT                     | ⊕ = PLUS DRAFT | Y14.3 Multi and sectional view deqs. Y14.5M Dimensioning and tolerancing               |            |
| TOLERANCES NOT SPECIFIED  |                | AUTOCAD REL2000:                    |                | DO NOT SCALE DRAWING FOR DIMENSIONS  |            |
| .XX ±   | .XXX ±         | INCH                                |                | Sheet 2 of 2   | SCALE 1:14 |
| CONFIDENTIAL DISCLOSURE   |                | APPROVED BY                         |                | APPROVED BY  |            |
| This drawing is the property of POWEREX, INC. of the SCOTT FETZER COMPANY and subject to return on demand. Its contents are confidential and must not be copied or submitted to outside parties for use or examination. |                | JBE                                 |                | AEK  |            |
| MATERIAL  |                | N/A                                 |                | 2/23/15 2/23/15 2/23/15 2/23/15  |            |
| PART NAME   |                | 10HP SCROLL QUADPLEX FLOW SCHEMATIC |                | <br>150 PRODUCTION DRIVE, HARRISON, OHIO 45030<br>Ph: 888-769-7979 Fax: (513) 367-3129 |            |
| DWG NO  |                | MSQ10B5                             |                | SIZE D   |            |

8 7 6 5 4 3 2 1

8 7 6 5 4 3 2 1

MSQ10B5.dwg