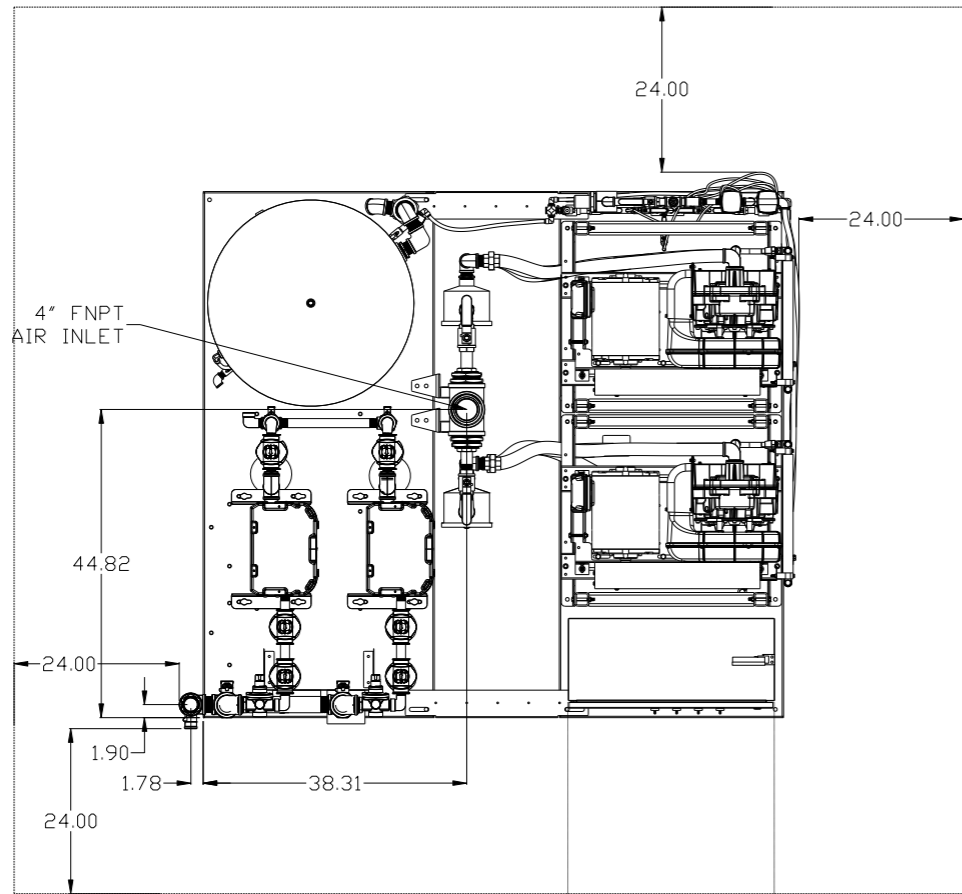


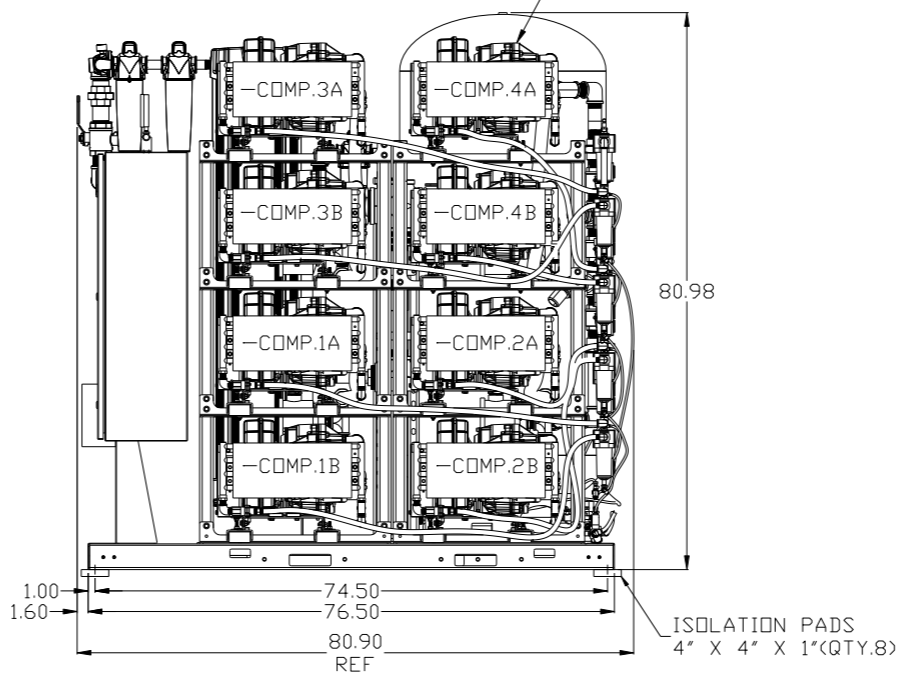
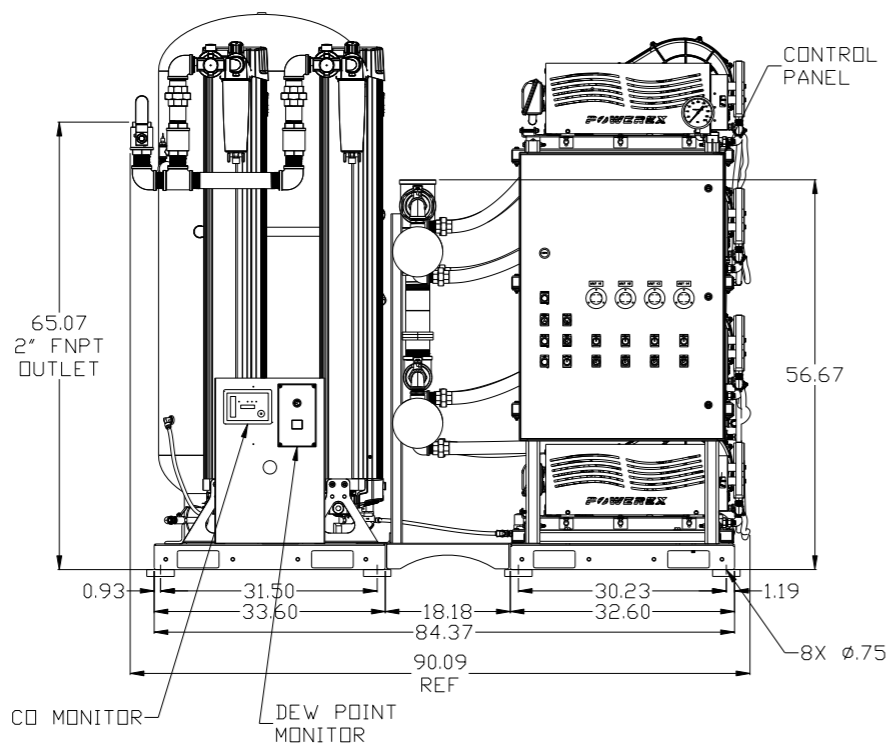
REV	ZONE	REVISION	DATE	ECN	NAME	CHKD
B-1	ALL	RELEASE TO PRODUCTION	6/22/15	PXEC0093	AEK	GES
C-1	A4-C4 C6-B6	CORRECTED SEPARATOR DRAIN LINES ADDED NOTE TO REMOVE SEPARATOR FLDAT	1/21/17	PXEC0167	MJD	GES



MINIMUM RECOMMENDED MAINTENANCE CLEARANCE

MINIMUM RECOMMENDED ELECTRICAL PANEL CLEARANCE PER OSHA/NEC REQUIREMENTS

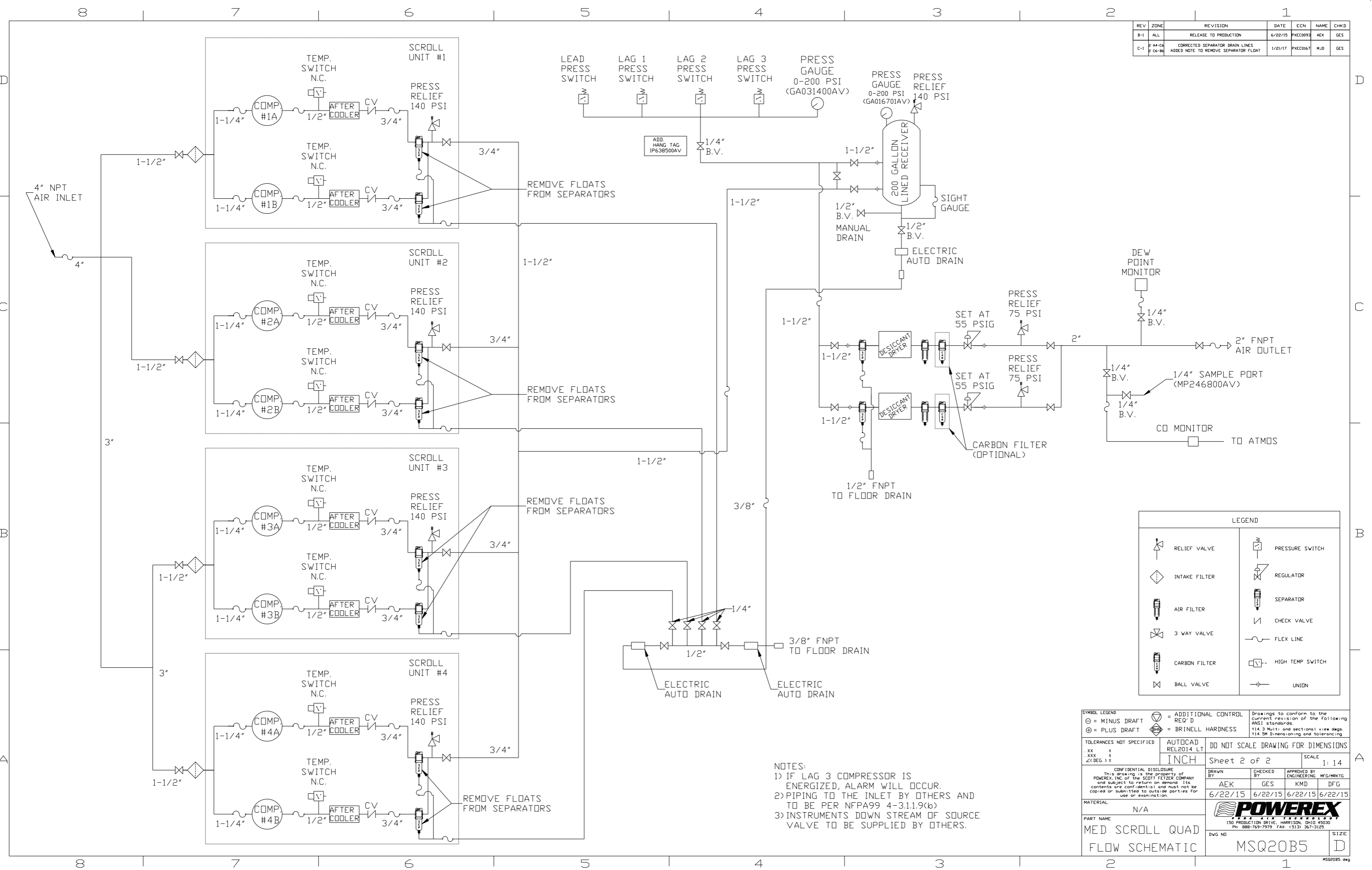
4X 20HP OILLESS SCROLL AIR END



NOTE: SYSTEM DESIGNED IN COMPLIANCE WITH US NFPA'99, LATEST EDITION.

SYMBOL LEGEND ⊖ = MINUS DRAFT ⊕ = PLUS DRAFT ⊕ = BRINELL HARDNESS		= ADDITIONAL CONTROL REQ'D = BRINELL HARDNESS		Drawings to conform to the current revision of the following ANSI standards: Y14.3 Multi and sectional view dgs. Y14.5M Dimensioning and tolerancing
TOLERANCES NOT SPECIFIED .XX ± .XXX ± <DEG> ±		AUTOCAD REL2014 LT INCH		DO NOT SCALE DRAWING FOR DIMENSIONS Sheet 1 of 2 SCALE 1:14
CONFIDENTIAL DISCLOSURE This drawing is the property of POWEREX, INC. of the SCOTT FELTZER COMPANY and subject to return on demand. Its contents are confidential and must not be copied or submitted to outside parties for use or examination.		DRAWN BY AEK	CHECKED BY GES	APPROVED BY ENGINEERING MFG/MKTG KMD DFG
MATERIAL N/A		DATE 6/22/15	DATE 6/22/15	DATE 6/22/15
PART NAME 20HP QUADLEX SCROLL MED 200GAL		DRAWN BY AEK		DATE 6/22/15
DWG NO MSQ20B5		SIZE D		DATE 6/22/15

REV	ZONE	REVISION	DATE	ECN	NAME	CHKD
B-1	ALL	RELEASE TO PRODUCTION	6/22/15	PXEC0093	AEK	GES
C-1	A4-C4 C6-B6	CORRECTED SEPARATOR DRAIN LINES ADDED NOTE TO REMOVE SEPARATOR FLDAT	1/21/17	PXEC0167	MJD	GES



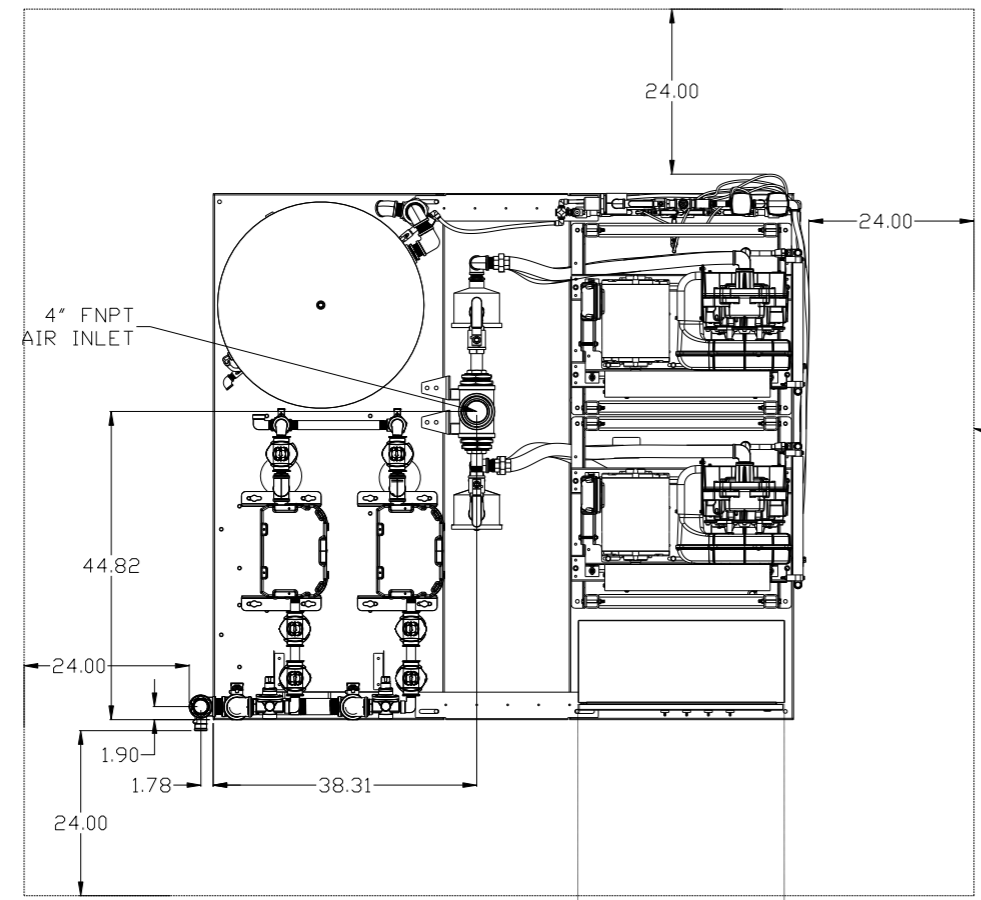
LEGEND	
	RELIEF VALVE
	INTAKE FILTER
	AIR FILTER
	3 WAY VALVE
	CARBON FILTER
	BALL VALVE
	PRESSURE SWITCH
	REGULATOR
	SEPARATOR
	CHECK VALVE
	FLEX LINE
	HIGH TEMP SWITCH
	UNION

NOTES:
 1) IF LAG 3 COMPRESSOR IS ENERGIZED, ALARM WILL OCCUR.
 2) PIPING TO THE INLET BY OTHERS AND TO BE PER NFPA99 4-3.1.9(b)
 3) INSTRUMENTS DOWN STREAM OF SOURCE VALVE TO BE SUPPLIED BY OTHERS.

SYMBOL LEGEND			ADDITIONAL CONTROL REQ'D	Drawings to conform to the current revision of the following ANSI standards			
	MINUS DRAFT		BRINELL HARDNESS	Y14.3 Multi and sectional view dsgs. Y14.5M Dimensioning and tolerancing			
TOLERANCES NOT SPECIFIED		AUTOCAD REL2014 LT	DO NOT SCALE DRAWING FOR DIMENSIONS				
.XX ±		INCH	Sheet 2 of 2	SCALE			1:14
.XXX ±							
<<DEG>> ±							
CONFIDENTIAL DISCLOSURE This drawing is the property of POWEREX, INC. or the SCOTT FETZER COMPANY and subject to return on demand. Its contents are confidential and must not be copied or submitted to outside parties for use or examination.				DRAWN BY	CHECKED BY	APPROVED BY	ENGINEERING MFG/MKTG
				AEK	GES	KMD	DFG
				6/22/15	6/22/15	6/22/15	6/22/15
MATERIAL				N/A			
PART NAME				MED SCROLL QUAD			
				FLOW SCHEMATIC			
				DWG NO		MSQ20B5	
				SIZE		D	

8 7 6 5 4 3 2 1

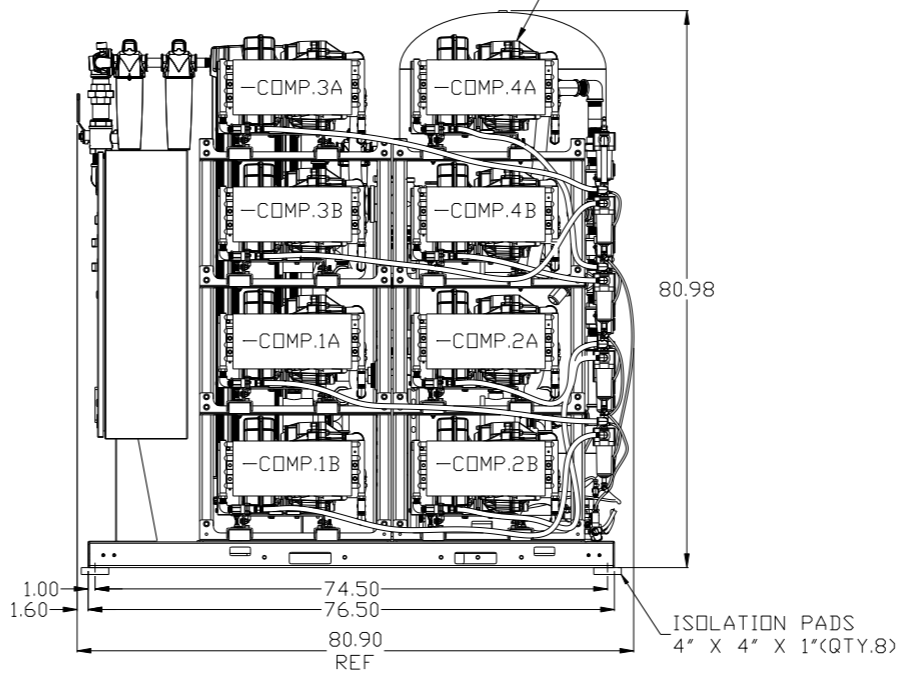
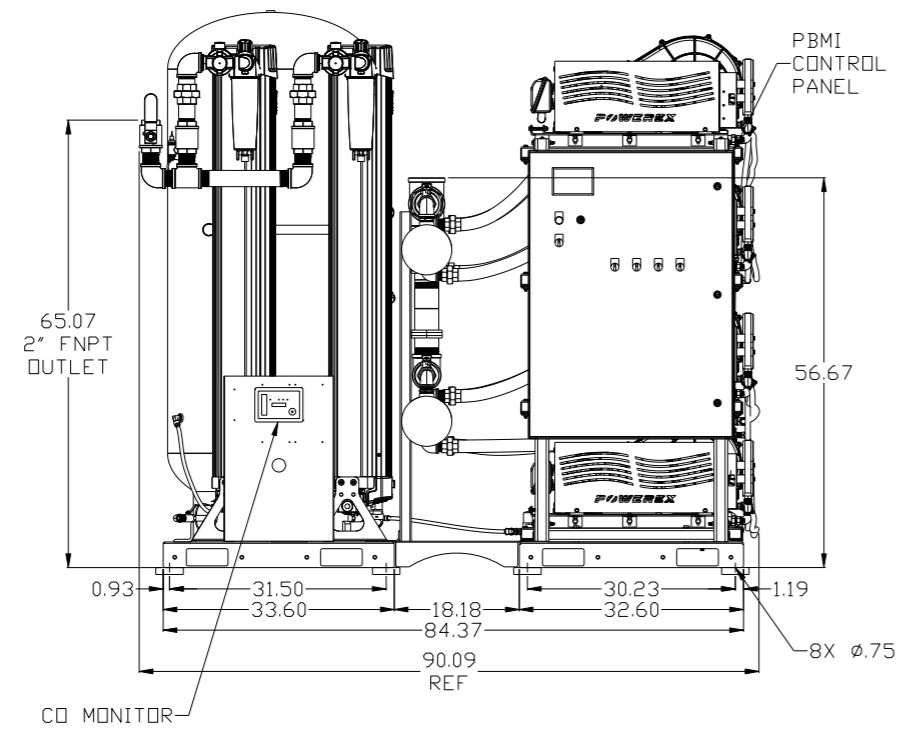
REV	ZONE	REVISION	DATE	ECN	NAME	CHKD
A-1	ALL	RELEASE FOR APPROVAL	4/28/15	PXEC0092	AEK	GES
B-1	ALL	RELEASE TO PRODUCTION	6/22/15	PXEC0093	AEK	GES
C-1	P 44-C6 P C6-96	CORRECTED SEPARATOR BRAIN LINES ADDED NOTE TO REMOVE SEPARATOR FLOAT	1/21/17	PXEC0167	MJD	GES



MINIMUM RECOMMENDED MAINTENANCE CLEARANCE

MINIMUM RECOMMENDED ELECTRICAL PANEL CLEARANCE PER OSHA/NEC REQUIREMENTS

4X 20HP OILLESS SCROLL AIR END

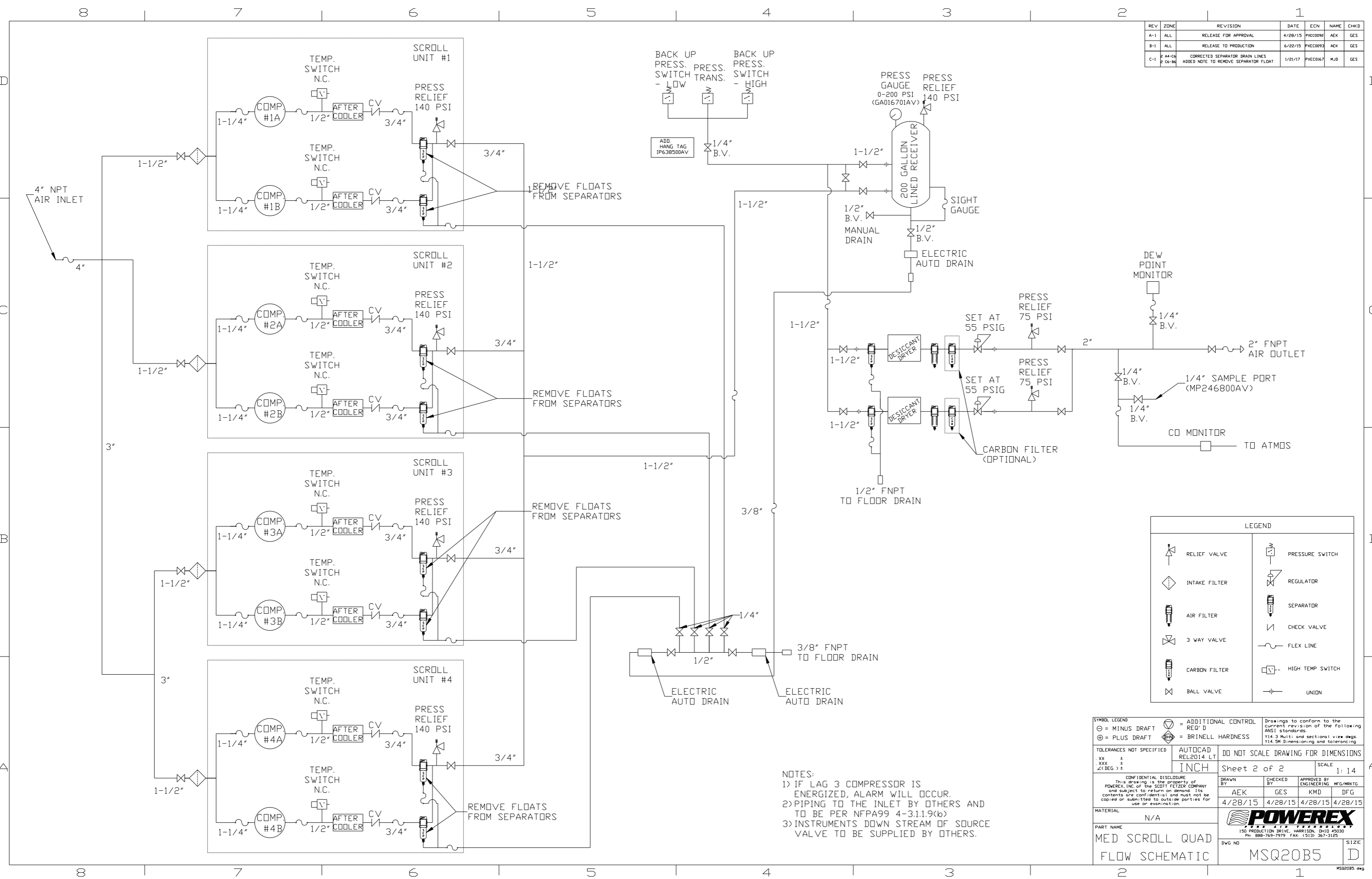


NOTE: SYSTEM DESIGNED IN COMPLIANCE WITH US NFPA'99, LATEST EDITION.

SYMBOL LEGEND		= ADDITIONAL CONTROL REQ'D		Drawings to conform to the current revision of the following ANSI standards:	
⊖ = MINUS DRAFT		= BRINELL HARDNESS		Y14.3 Multi and sectional view dsgs.	
⊕ = PLUS DRAFT				Y14.5M Dimensioning and tolerancing	
TOLERANCES NOT SPECIFIED		AUTOCAD REL2014 LT		DO NOT SCALE DRAWING FOR DIMENSIONS	
.XX ±		INCH		Sheet 1 of 2	
.XXX ±				SCALE 1:14	
∠(DEG) ±					
CONFIDENTIAL DISCLOSURE		DRAWN BY		APPROVED BY	
This drawing is the property of POWEREX, INC. of the SCOTT FEITZER COMPANY and subject to return on demand. Its contents are confidential and must not be copied or submitted to outside parties for use or examination.		AEK		KMD	
		CHECKED BY		ENGINEERING MFG/MKTG	
		GES		DFG	
		4/28/15		4/28/15 4/28/15 4/28/15	
MATERIAL		N/A		POWEREX	
PART NAME		20HP QUADLEX SCROLL		150 PRODUCTION DRIVE, HARRISON, OHIO 45030 Ph: 888-769-7979 FAX: (513) 367-3125	
MED 200GAL		DWG NO		MSQ20B5	
		SIZE		D	

8 7 6 5 4 3 2 1

REV	ZONE	REVISION	DATE	ECN	NAME	CHKD
A-1	ALL	RELEASE FOR APPROVAL	4/28/15	PXEC0092	AEK	GES
B-1	ALL	RELEASE TO PRODUCTION	6/22/15	PXEC0093	AEK	GES
C-1	A4-C6 B C6-B8	CORRECTED SEPARATOR BRAIN LINES ADDED NOTE TO REMOVE SEPARATOR FLOAT	1/21/17	PXEC0167	MJD	GES



LEGEND	
	RELIEF VALVE
	INTAKE FILTER
	AIR FILTER
	3 WAY VALVE
	CARBON FILTER
	BALL VALVE
	PRESSURE SWITCH
	REGULATOR
	SEPARATOR
	CHECK VALVE
	FLEX LINE
	HIGH TEMP SWITCH
	UNION

SYMBOL LEGEND		TOLERANCES NOT SPECIFIED		DO NOT SCALE DRAWING FOR DIMENSIONS	
	MINUS DRAFT	XX ±	XXX ±	INCH	SCALE
	PLUS DRAFT	<< DEG >> ±		Sheet 2 of 2	1:14
	ADDITIONAL CONTROL REQ'D	AUTOCAD REL2014 LT		DRAWN BY: AEK	
	BRINELL HARDNESS			CHECKED BY: GES	
				APPROVED BY: KMD	
				DATE: 4/28/15	
				DATE: 4/28/15	
				DATE: 4/28/15	
				DATE: 4/28/15	
MATERIAL: N/A		PART NAME: MED SCROLL QUAD FLOW SCHEMATIC		DWG NO: MSQ20B5	
				SIZE: D	

NOTES:
 1) IF LAG 3 COMPRESSOR IS ENERGIZED, ALARM WILL OCCUR.
 2) PIPING TO THE INLET BY OTHERS AND TO BE PER NFPA99 4-3.1.9(b)
 3) INSTRUMENTS DOWN STREAM OF SOURCE VALVE TO BE SUPPLIED BY OTHERS.