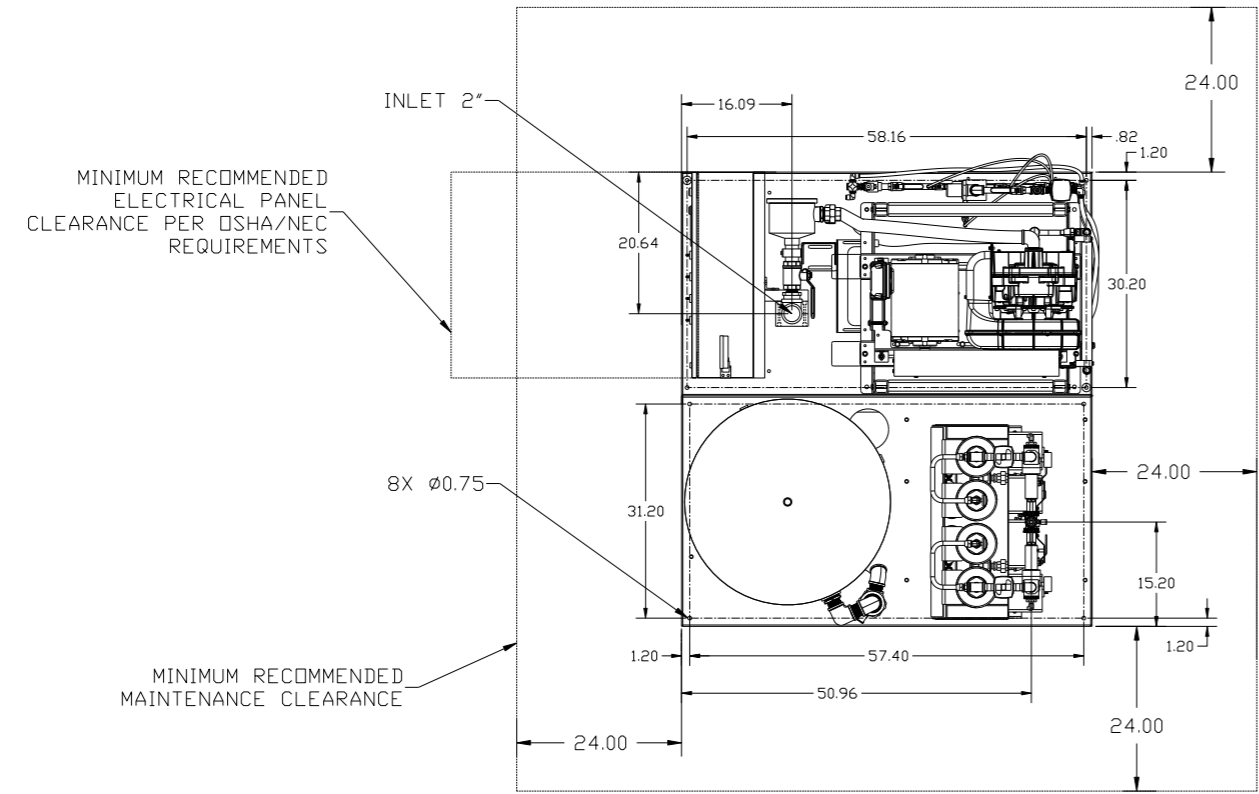


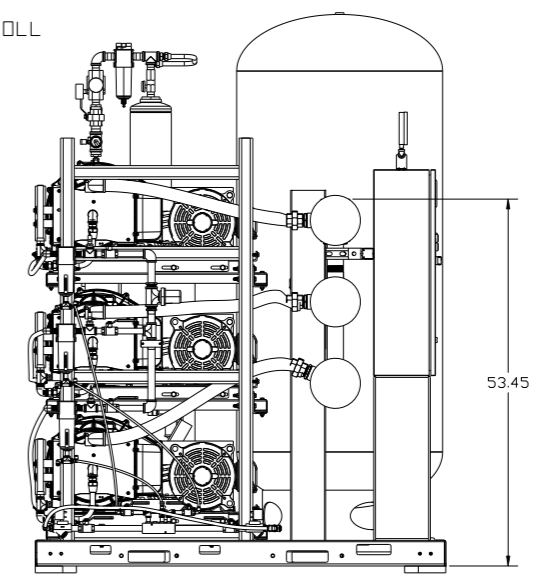
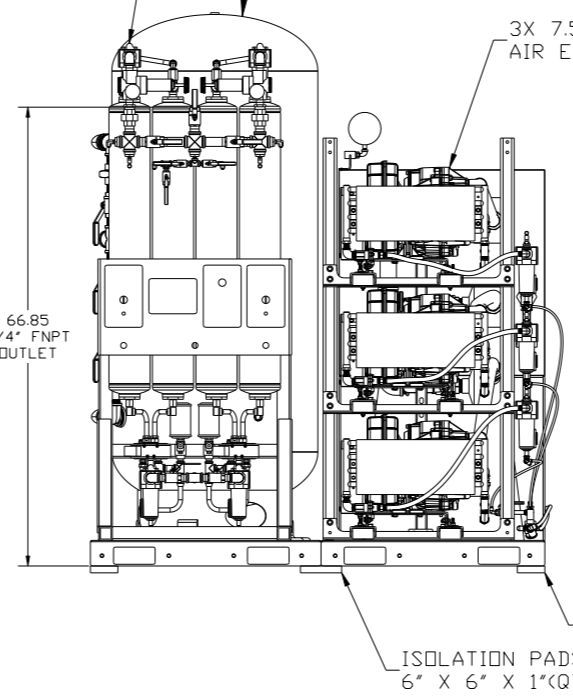
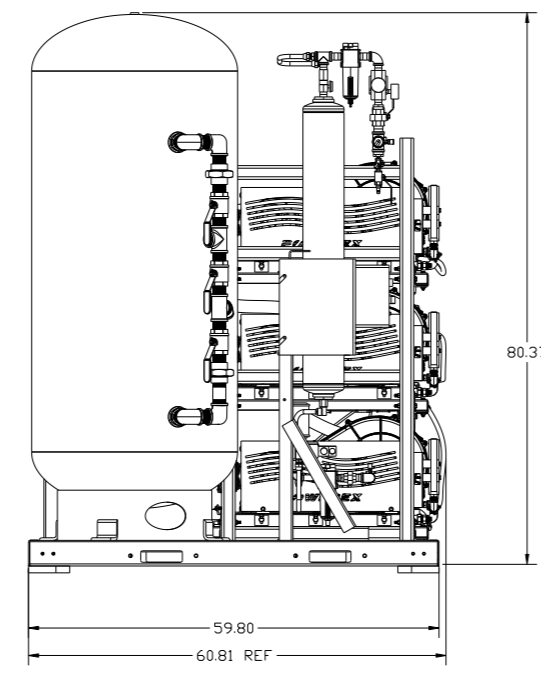
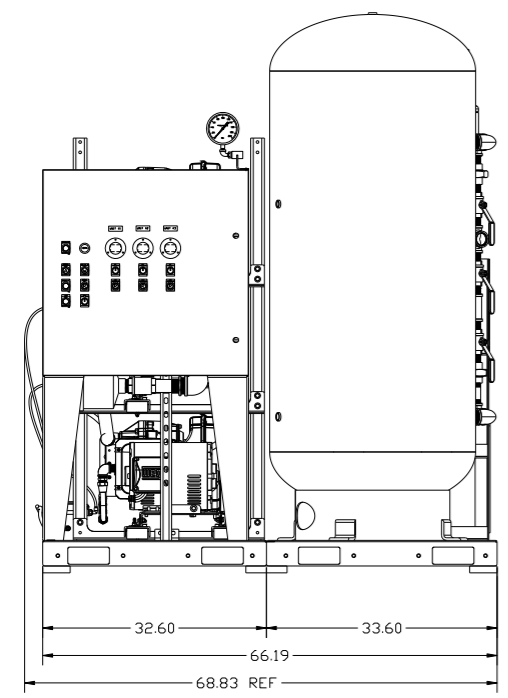
REV	ZONE	REVISION	DATE	ECN	NAME	CHKD
B-1	ALL	RELEASE TO PRODUCTION	5/20/14	PXEC0057	AEK	GES
C-1	ALL	CORRECTED UNIT NPT OUTLET SIZE TO 3/4"	11/17/14	PXEC0067	GES	AEK
D-1	ALL	WAVE1 REDESIGN-SMALLER FOOTPRINT	02/25/15	PXEC0057	JBE	AEK
E-1	2 ALL	CORRECTED SEPARATOR DRAIN LINES TO 1/4"	01/05/16	PXEC0167	MJD	GES
	2 ALL	ADDED NOTE TO REMOVE SEPARATOR FLDAT				
	1 ALL	ADDED OUTLINE FOR RECOMMENDED CLEARANCES UPDATED INLET TREE				



2X DESICCANT DRYER
W/ DEW POINT MONITOR,
CARBON MONOXIDE MONITOR,
PRE FILTER, AFTER FILTER
& OPTIONAL CHARCOAL FILTER.

200 GALLON ASME
AIR RECEIVER
INTERNALLY LINED

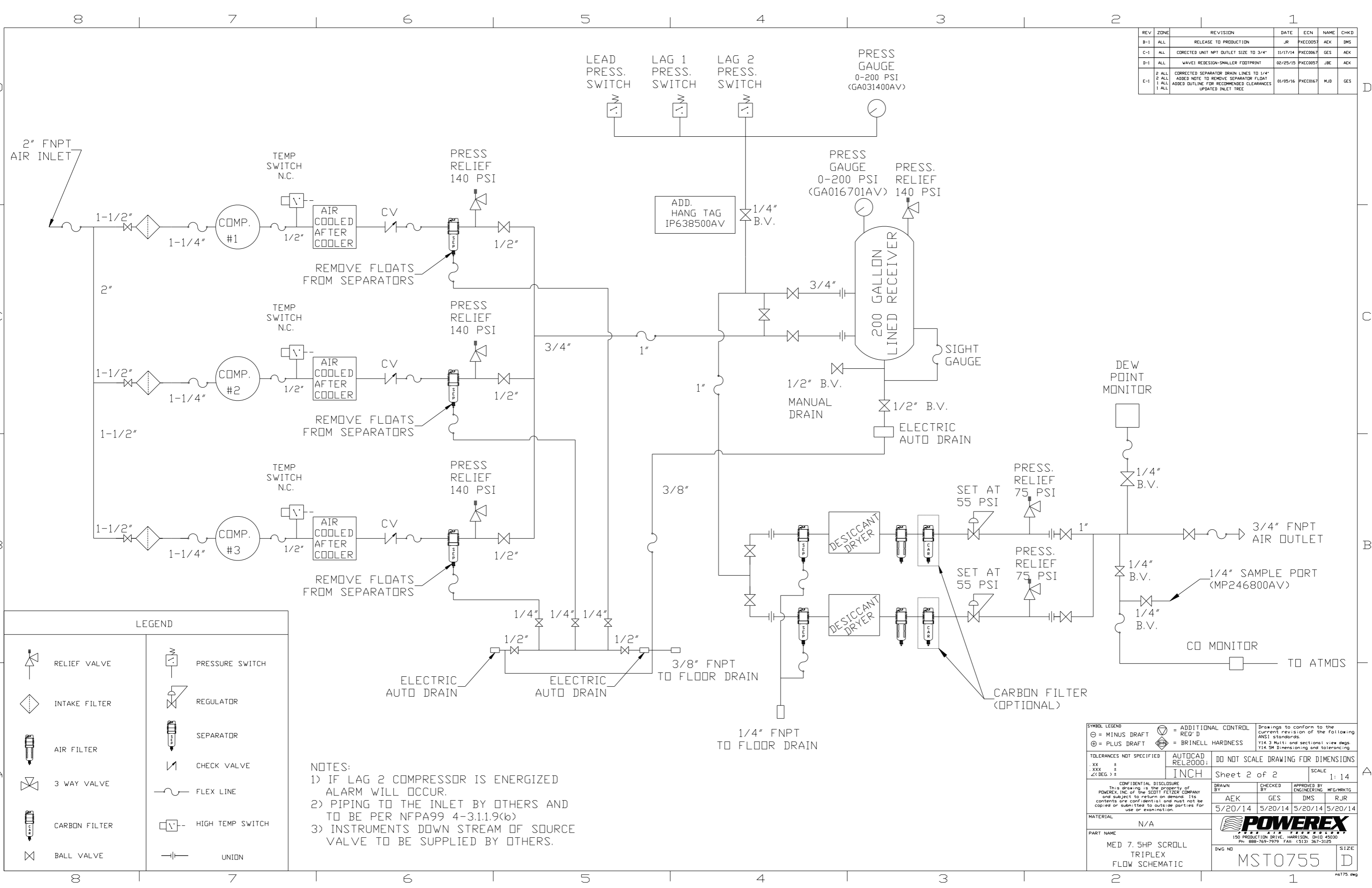
3X 7.5HP OILLESS SCROLL
AIR END



NOTE: SYSTEM DESIGNED IN COMPLIANCE WITH US NFPA'99, LATEST EDITION.

SYMBOL LEGEND	⊖ = MINUS DRAFT	⊕ = PLUS DRAFT	⊕ = ADDITIONAL CONTROL REQ'D	⊕ = BRINELL HARDNESS	Drawings to conform to the current revision of the following ANSI standards: Y14.3 Multi and sectional view dwgs. Y14.5M Dimensioning and tolerancing
TOLERANCES NOT SPECIFIED	.XX ±	.XXX ±	<<BEG. >	AUTOCAD REL2000	DO NOT SCALE DRAWING FOR DIMENSIONS
INCH			Sheet 1 of 2		SCALE 1:14
CONFIDENTIAL DISCLOSURE This drawing is the property of POWEREX, INC. of the SCOTT FETZER COMPANY and subject to return on demand. Its contents are confidential and must not be copied or submitted to outside parties for use or examination.			DRAWN BY AEK	CHECKED BY AEK	APPROVED BY JA RJR
MATERIAL N/A			5/20/14	5/20/14	5/20/14 5/20/14
PART NAME MED TRIPLEX SCROLL 7.5HP, 200GAL. BASEMOUNT DUPLEX DESICCANT			 150 PRODUCTION DRIVE, HARRISON, OHIO 45030 Ph: 888-769-7979 FAX: (513) 367-3125		SIZE D
DWG NO MST0755			nst0755.dwg		

REV	ZONE	REVISION	DATE	ECN	NAME	CHKD
B-1	ALL	RELEASE TO PRODUCTION		JR	PKEC0057	DMS
C-1	ALL	CORRECTED UNIT NPT OUTLET SIZE TO 3/4"	11/17/14	PKEC0067	GES	AEK
D-1	ALL	WAVE1 REDESIGN-SMALLER FOOTPRINT	02/25/15	PKEC0057	JBE	AEK
E-1	2 ALL 1 ALL 1 ALL	CORRECTED SEPARATOR DRAIN LINES TO 1/4" ADDED NOTE TO REMOVE SEPARATOR FLOAT ADDED OUTLINE FOR RECOMMENDED CLEARANCES UPDATED INLET TREE	01/05/16	PKEC0167	MJD	GES



LEGEND

	RELIEF VALVE		PRESSURE SWITCH
	INTAKE FILTER		REGULATOR
	AIR FILTER		SEPARATOR
	3 WAY VALVE		CHECK VALVE
	CARBON FILTER		FLEX LINE
	BALL VALVE		HIGH TEMP SWITCH
			UNION

NOTES:
 1) IF LAG 2 COMPRESSOR IS ENERGIZED ALARM WILL OCCUR.
 2) PIPING TO THE INLET BY OTHERS AND TO BE PER NFPA99 4-3.1.1.9(b)
 3) INSTRUMENTS DOWN STREAM OF SOURCE VALVE TO BE SUPPLIED BY OTHERS.

SYMBOL LEGEND		= ADDITIONAL CONTROL REQ'D		Drawings to conform to the current revision of the following ANSI standards	
⊖	MINUS DRAFT	⊕	PLUS DRAFT	⊖	BRINELL HARDNESS
TOLERANCES NOT SPECIFIED		AUTOCAD REL2000: INCH		DO NOT SCALE DRAWING FOR DIMENSIONS	
.XX ±				Sheet 2 of 2	
.XXX ±				SCALE 1:14	
< (DEG) ±					
CONFIDENTIAL DISCLOSURE					
This drawing is the property of POWEREX, INC. of the SCOTT FETZER COMPANY and subject to return on demand. Its contents are confidential and must not be copied or submitted to outside parties for use or examination.					
DRAWN BY		CHECKED BY		APPROVED BY	
AEK		GES		DMS RJR	
5/20/14		5/20/14		5/20/14 5/20/14	
MATERIAL N/A					
PART NAME					
MED 7.5HP SCROLL TRIPLEX FLOW SCHEMATIC					
DWG NO MST0755				SIZE D	

REV	ZONE	REVISION	DATE	ECN	NAME	CHKD
B-1	ALL	RELEASE TO PRODUCTION	5/20/14	PXEC0057	AEK	GES
C-1	ALL	CORRECTED UNIT NPT OUTLET SIZE TO 3/4"	11/17/14	PXEC0067	GES	AEK
D-1	ALL	WAVE1 REDESIGN-SMALLER FOOTPRINT	02/25/15	PXEC0057	JBE	AEK
E-1	2 ALL 2 ALL 1 ALL 1 ALL	CORRECTED SEPARATOR DRAIN LINES TO 1/4" ADDED NOTE TO REMOVE SEPARATOR FLODAT ADDED OUTLINE FOR RECOMMENDED CLEARANCES UPDATED INLET TREE	01/05/16	PXEC0167	MJD	GES

MINIMUM RECOMMENDED ELECTRICAL PANEL CLEARANCE PER OSHA/NEC REQUIREMENTS

MINIMUM RECOMMENDED MAINTENANCE CLEARANCE

2X DESICCANT DRYER W/ CARBON MONOXIDE MONITOR, PRE FILTER, AFTER FILTER & OPTIONAL CHARCOAL FILTER.


200 GALLON ASME AIR RECEIVER INTERNALLY LINED

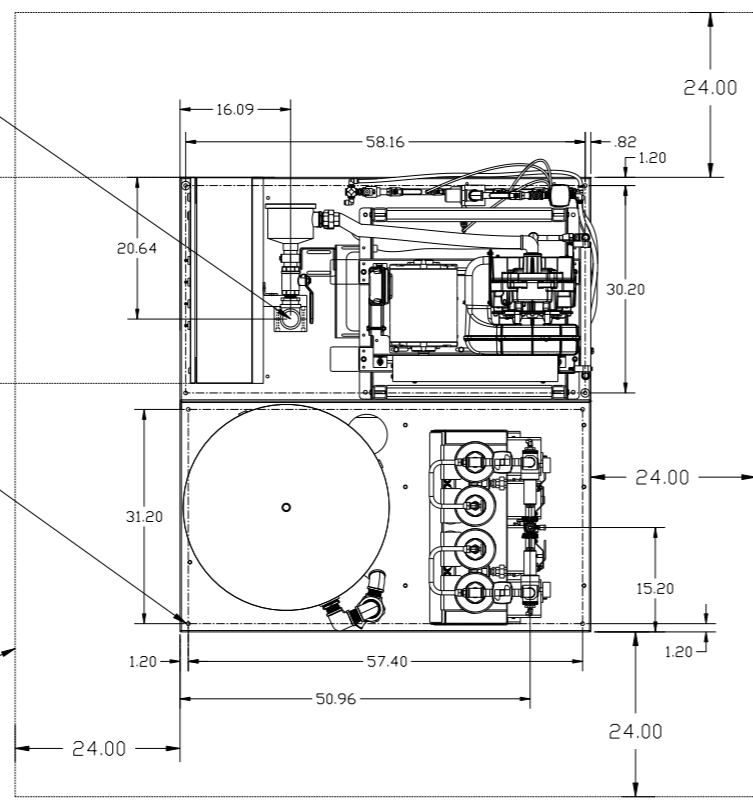
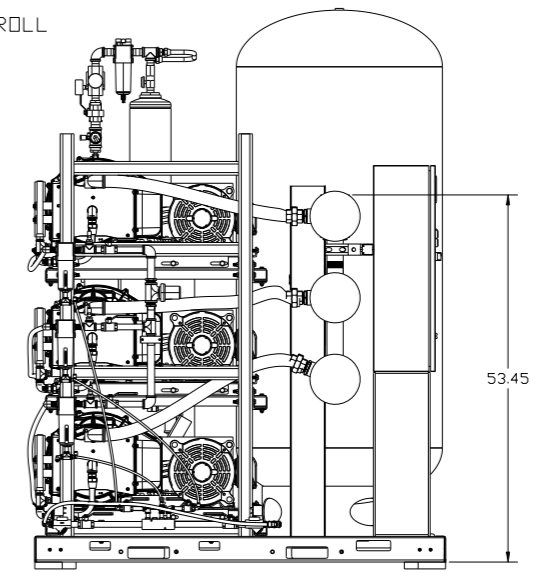
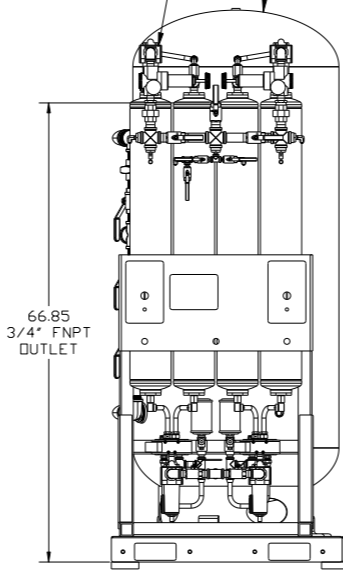
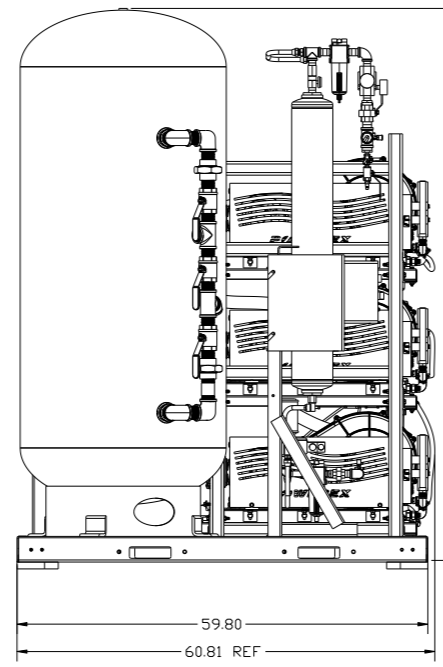
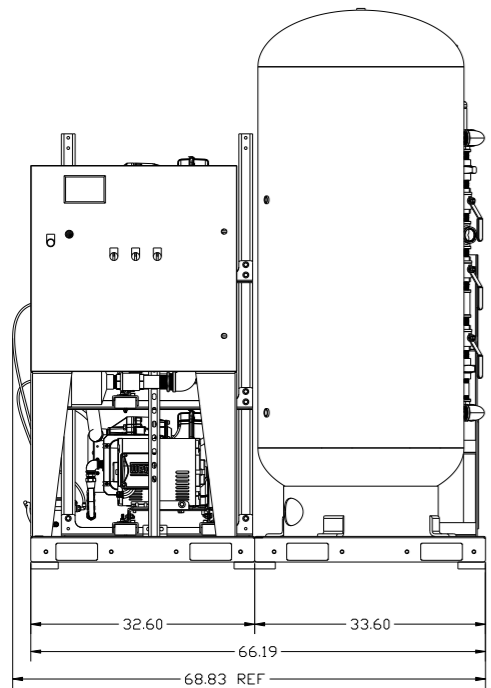
3X 7.5HP OILLESS SCROLL AIR END

ISOLATION PADS 4" X 4" X 1"(QTY.4)

ISOLATION PADS 6" X 6" X 1"(QTY.2)

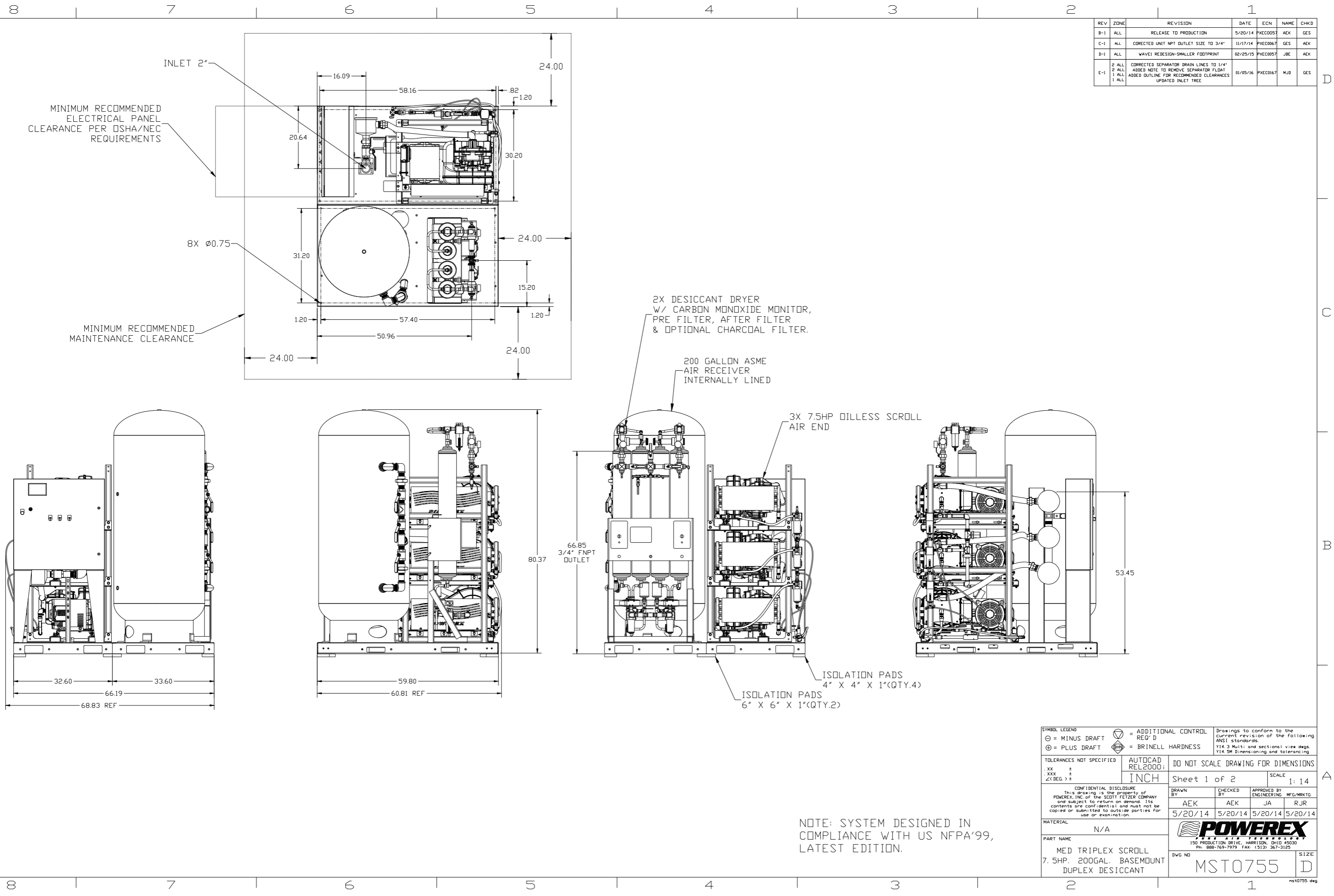
NOTE: SYSTEM DESIGNED IN COMPLIANCE WITH US NFPA'99, LATEST EDITION.

SYMBOL LEGEND ⊖ = MINUS DRAFT ⊕ = PLUS DRAFT ⊕ = BRINELL HARDNESS	= ADDITIONAL CONTROL REQ'D = BRINELL HARDNESS	Drawings to conform to the current revision of the following ANSI standards: Y14.3 Multi and sectional view dsgs Y14.5M Dimensioning and tolerancing												
TOLERANCES NOT SPECIFIED: .XX ± .XXX ± <DEG. > ±	AUTOCAD REL2000: INCH	DO NOT SCALE DRAWING FOR DIMENSIONS Sheet 1 of 2 SCALE 1: 14												
CONFIDENTIAL DISCLOSURE This drawing is the property of POWEREX, Inc. of the SCOTT FEITZER COMPANY and subject to return on demand. Its contents are confidential and must not be copied or submitted to outside parties for use or examination.		<table border="1"> <tr> <th>DRAWN BY</th> <th>CHECKED BY</th> <th>APPROVED BY</th> <th>MFG/MRKTG</th> </tr> <tr> <td>AEK</td> <td>AEK</td> <td>JA</td> <td>RJR</td> </tr> <tr> <td>5/20/14</td> <td>5/20/14</td> <td>5/20/14</td> <td>5/20/14</td> </tr> </table>	DRAWN BY	CHECKED BY	APPROVED BY	MFG/MRKTG	AEK	AEK	JA	RJR	5/20/14	5/20/14	5/20/14	5/20/14
DRAWN BY	CHECKED BY	APPROVED BY	MFG/MRKTG											
AEK	AEK	JA	RJR											
5/20/14	5/20/14	5/20/14	5/20/14											
MATERIAL: N/A		 150 PRODUCTION DRIVE, HARRISON, OHIO 45030 Ph: 888-769-7979 FAX: (513) 367-3125												
PART NAME: MED TRIPLEX SCROLL 7.5HP, 200GAL. BASEMOUNT DUPLEX DESICCANT		DWG NO: MST0755 SIZE: D												

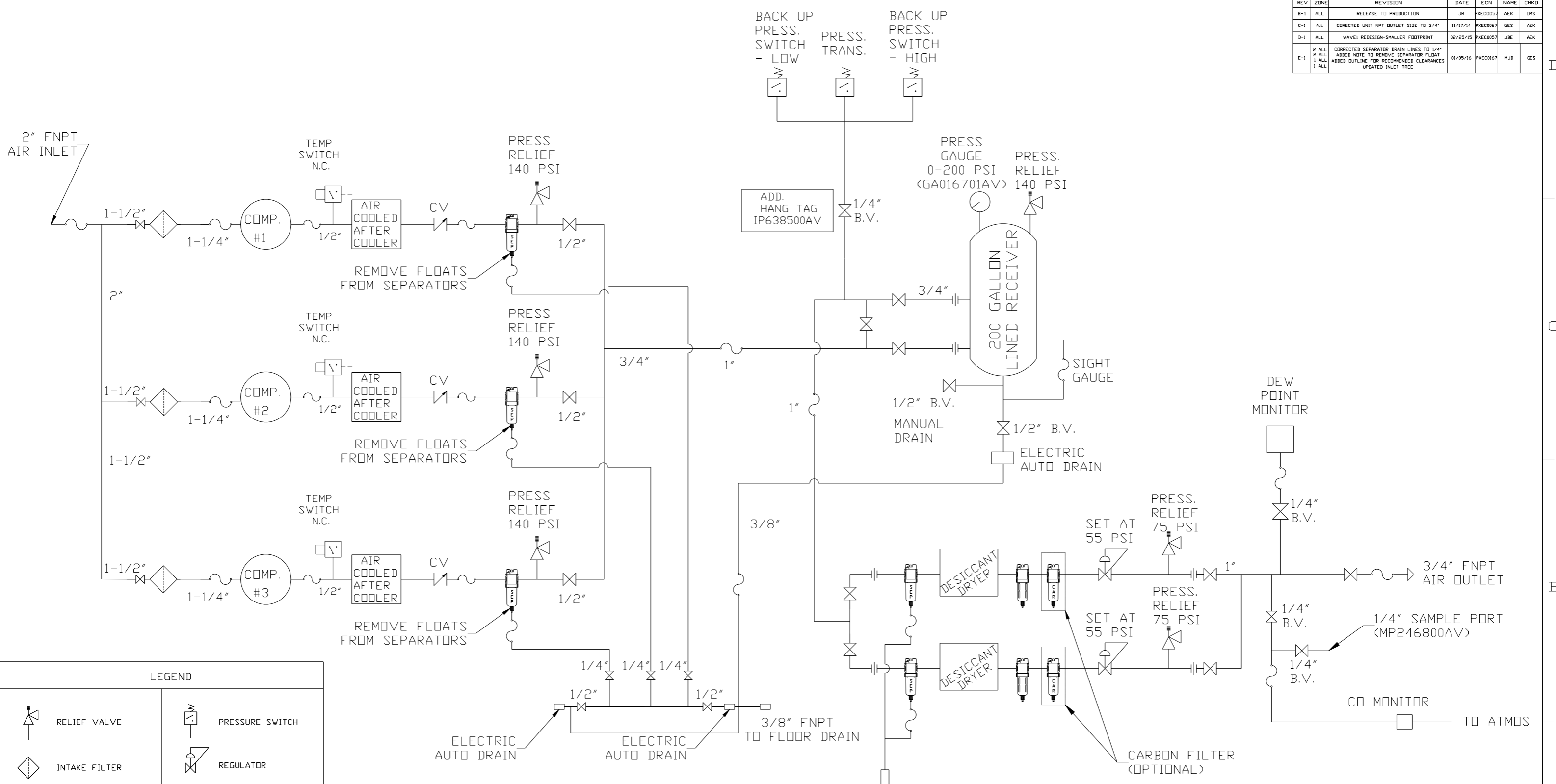


INLET 2"

8X Ø0.75



REV	ZONE	REVISION	DATE	ECN	NAME	CHKD
B-1	ALL	RELEASE TO PRODUCTION	JR	PXEC0057	AEK	DMS
C-1	ALL	CORRECTED UNIT NPT OUTLET SIZE TO 3/4"	11/17/14	PXEC0067	GES	AEK
D-1	ALL	WAVE1 REDESIGN-SMALLER FOOTPRINT	02/25/15	PXEC0057	JBE	AEK
E-1	2 ALL 2 ALL 1 ALL 1 ALL	CORRECTED SEPARATOR DRAIN LINES TO 1/4" ADDED NOTE TO REMOVE SEPARATOR FLOAT ADDED OUTLINE FOR RECOMMENDED CLEARANCES UPDATED INLET TREE	01/05/16	PXEC0167	MJD	GES



LEGEND

	RELIEF VALVE		PRESSURE SWITCH
	INTAKE FILTER		REGULATOR
	AIR FILTER		SEPARATOR
	3 WAY VALVE		CHECK VALVE
	CARBON FILTER		FLEX LINE
	BALL VALVE		HIGH TEMP SWITCH
			UNION

NOTES:

- 1) IF LAG 2 COMPRESSOR IS ENERGIZED ALARM WILL OCCUR.
- 2) PIPING TO THE INLET BY OTHERS AND TO BE PER NFPA99 4-3.1.1.9(b)
- 3) INSTRUMENTS DOWN STREAM OF SOURCE VALVE TO BE SUPPLIED BY OTHERS.

SYMBOL LEGEND		ADDITIONAL CONTROL REQ'D		Drawings to conform to the current revision of the following ANSI standards:	
⊖ = MINUS DRAFT	⊕ = PLUS DRAFT	⊖ = MINUS DRAFT	⊕ = PLUS DRAFT	Y14.3 Multi and sectional view deqs. Y14.5M Dimensioning and tolerancing	
TOLERANCES NOT SPECIFIED		AUTOCAD REL2000: INCH		DO NOT SCALE DRAWING FOR DIMENSIONS	
.XX ±		.XXX ±		Sheet 2 of 2	
<DEG. > ±				SCALE 1:14	
CONFIDENTIAL DISCLOSURE		APPROVED BY		APPROVED BY	
This drawing is the property of POWEREX, INC. of the SCOTT FETZER COMPANY and subject to return on demand. Its contents are confidential and must not be copied or submitted to outside parties for use or examination.		DRAWN BY: AEK		CHECKED BY: GES	
		5/20/14		5/20/14	
		5/20/14		5/20/14	
MATERIAL: N/A		PART NAME: MED 7.5HP SCROLL TRIPLEX FLOW SCHEMATIC		DWG NO: MST0755	
				SIZE: D	