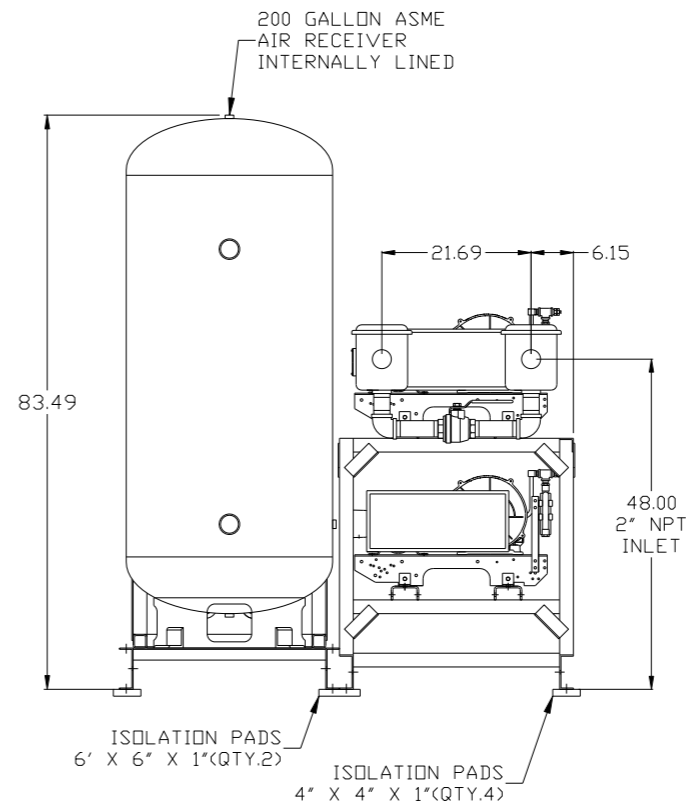
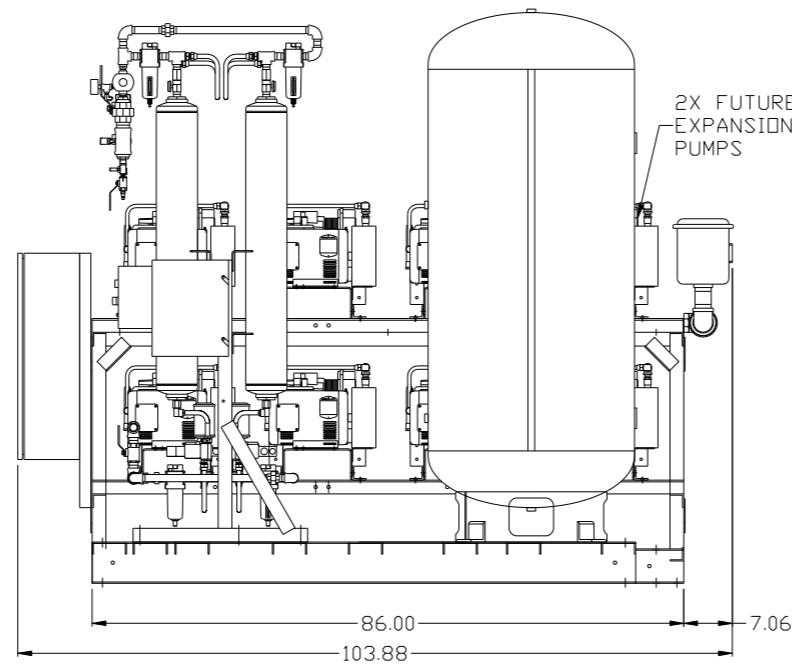
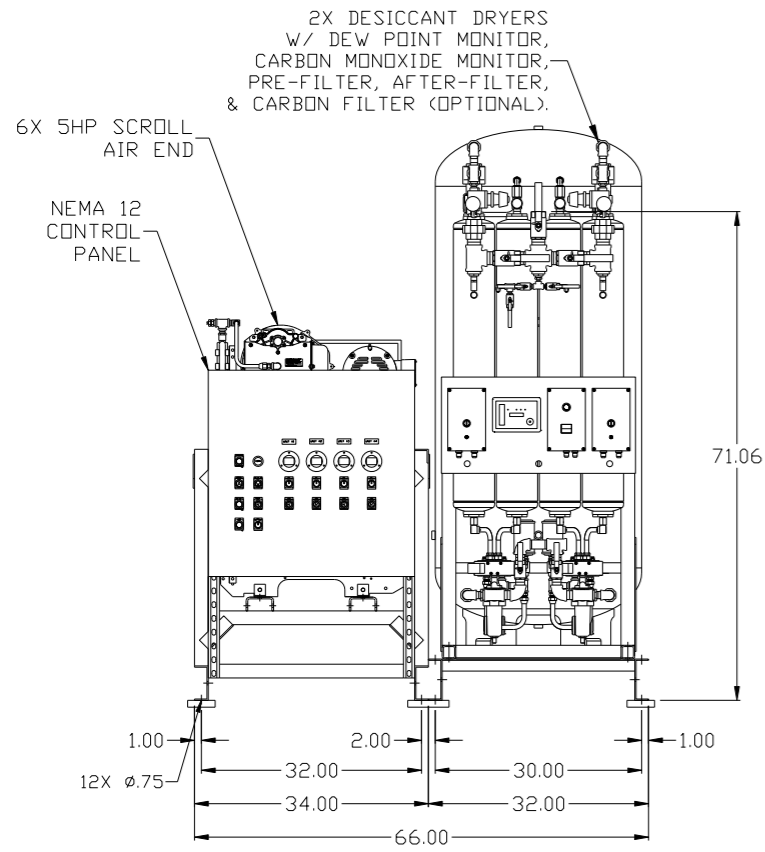
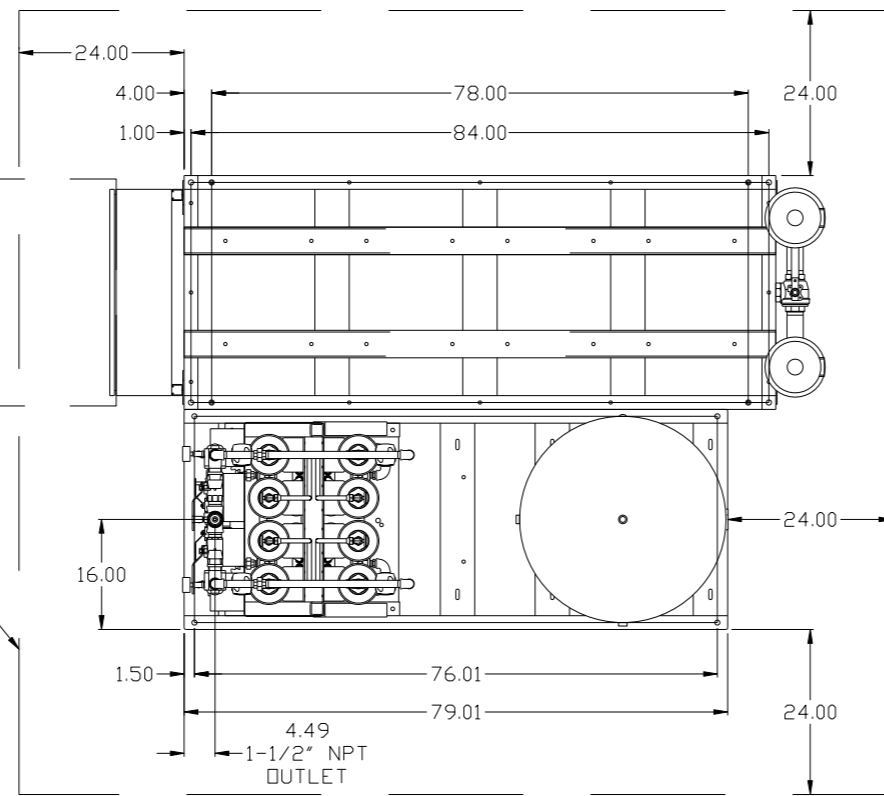


REV	ZONE	REVISION	DATE	ECN	NAME	CHKD
B-1	ALL	RELEASE TO PRODUCTION	2/19/08	21906	AEK	GES
C-1	I ALL	UPDATED TO E-SERIES PUMP	8/26/08	21907	AEK	GES
D-1	ALL	UPDATED BUILD & FLOW TO CURRENT PRODUCTION	8/12/11	22546	AEK	GES
E-1	I ALL	UPDATED DRYER OUTLET ORIENTATION	4/1/15	PKEC0100	MJD	GES
F-1	ALL	UPDATED BUILD & FLOW TO CURRENT PRODUCTION	4/30/15	PKEC0093	MJD	AEK

MINIMUM RECOMMENDED ELECTRICAL PANEL CLEARANCE PER OSHA/NEC REQUIREMENTS

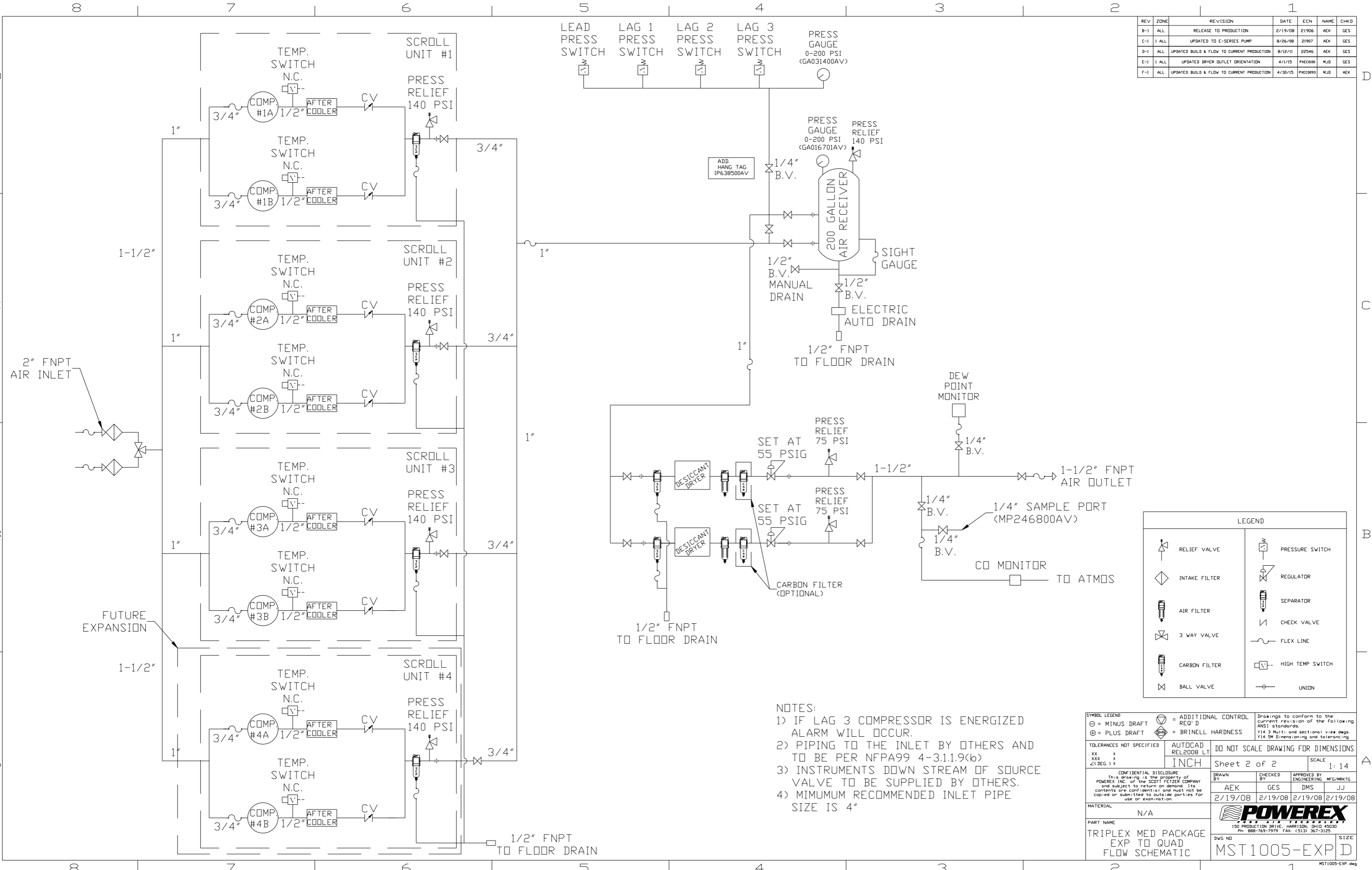
MINIMUM RECOMMENDED MAINTENANCE CLEARANCE



NOTE: SYSTEM DESIGNED IN COMPLIANCE WITH US NFPA'99, LATEST EDITION.

SYMBOL LEGEND ⊖ = MINUS DRAFT ⊕ = PLUS DRAFT ∅ = ADDITIONAL CONTROL REQ'D HRC = BRINELL HARDNESS		Drawings to conform to the current revision of the following ANSI standards: Y14.3 Multi and sectional view dgs. Y14.5M Dimensioning and tolerancing	
TOLERANCES NOT SPECIFIED .XX ± .XXX ± <DEG> ±		DO NOT SCALE DRAWING FOR DIMENSIONS Sheet 1 of 2 SCALE 1:14	
CONFIDENTIAL DISCLOSURE This drawing is the property of POWEREX INC. of the SCOTT FETZER COMPANY and subject to return on demand. Its contents are confidential and must not be copied or submitted to outside parties for use or examination.		AUTOCAD REL2008 LT Drawn by: AEK Checked by: GES Approved by: DMS, JJ Date: 2/19/08, 2/19/08, 2/19/08, 2/19/08	
MATERIAL N/A		POWEREX 150 PRODUCTION DRIVE, HARRISON, OHIO 45030 Ph: 888-769-7979 FAX: (513) 367-3125	
PART NAME TRIPLEX DILLESS SCROLL 10HP 200GAL BASEMOUNT DUPLEX DESICCANT		DWG NO MST1005-EXP D SIZE D	

REV	ZONE	REVISION	DATE	ECN	NAME	CHKD
B-1	ALL	RELEASE TO PRODUCTION	2/19/08	21906	AEK	GES
C-1	1 ALL	UPDATED TO E-SERIES PUMP	8/26/08	21907	AEK	GES
D-1	ALL	UPDATED BUILD & FLOW TO CURRENT PRODUCTION	8/12/11	22546	AEK	GES
E-1	1 ALL	UPDATED DRYER OUTLET ORIENTATION	4/1/15	PKEC0100	MJD	GES
F-1	ALL	UPDATED BUILD & FLOW TO CURRENT PRODUCTION	4/30/15	PKEC0093	MJD	AEK



	RELIEF VALVE		PRESSURE SWITCH
	INTAKE FILTER		REGULATOR
	AIR FILTER		SEPARATOR
	3 WAY VALVE		CHECK VALVE
	CARBON FILTER		FLEX LINE
	BALL VALVE		HIGH TEMP SWITCH
			UNION

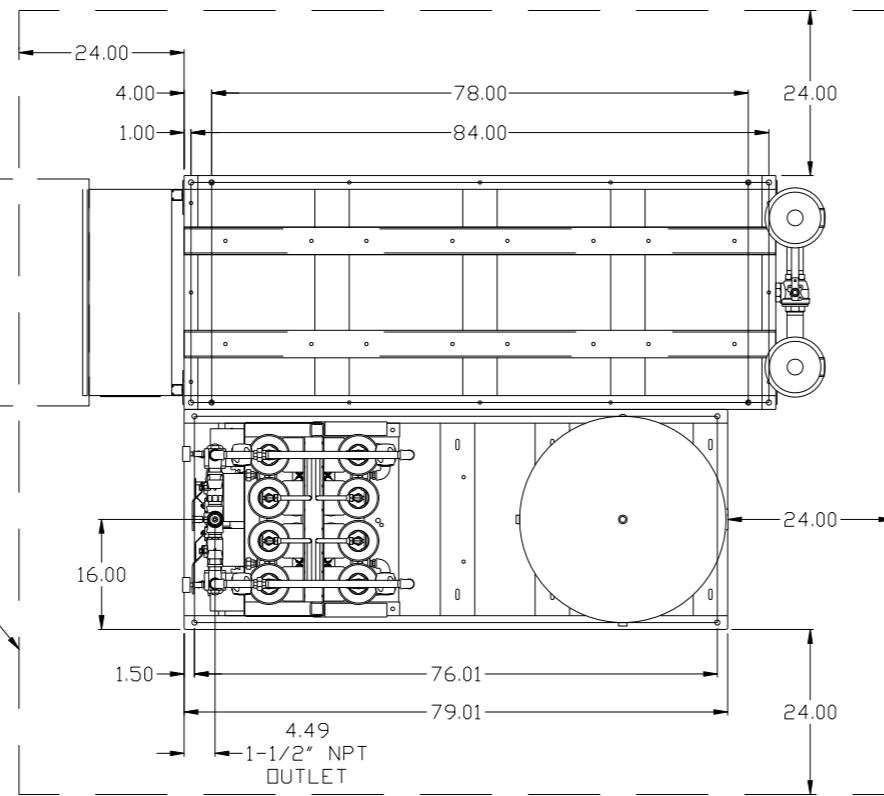
- NOTES:
- 1) IF LAG 3 COMPRESSOR IS ENERGIZED ALARM WILL OCCUR.
 - 2) PIPING TO THE INLET BY OTHERS AND TO BE PER NFPA99 4-3.1.1.9(b)
 - 3) INSTRUMENTS DOWN STREAM OF SOURCE VALVE TO BE SUPPLIED BY OTHERS.
 - 4) MINIMUM RECOMMENDED INLET PIPE SIZE IS 4"

SYMBOL LEGEND			= ADDITIONAL CONTROL REQ'D	Drawings to conform to the current revision of the following ANSI standards	
	= MINUS DRAFT		= BRINELL HARDNESS	Y14.3 Multi and sectional view dsgs. Y14.3M Dimensioning and tolerancing	
TOLERANCES NOT SPECIFIED		AUTOCAD REL2008 LT	DO NOT SCALE DRAWING FOR DIMENSIONS		
.XX ±		INCH	Sheet 2 of 2	SCALE	1:14
CONFIDENTIAL DISCLOSURE This drawing is the property of POWEREX INC. of the SCOTT FETZER COMPANY and subject to return on demand. Its contents are confidential and must not be copied or submitted to outside parties for use or examination.					
DRAWN BY	CHECKED BY	APPROVED BY	ENGINEERING MFG/MKTG		
AEK	GES	DMS	JJ		
DATE	DATE	DATE	DATE		
2/19/08	2/19/08	2/19/08	2/19/08		
MATERIAL		N/A			
PART NAME		TRIPLEX MED PACKAGE EXP TO QUAD FLOW SCHEMATIC		DWG NO	SIZE
				MST1005-EXP.D	

REV	ZONE	REVISION	DATE	ECN	NAME	CHKD
B-1	ALL	RELEASE TO PRODUCTION	2/19/08	21906	AEK	GES
C-1	1 ALL	UPDATED TO E-SERIES PUMP	8/26/08	21907	AEK	GES
D-1	ALL	UPDATED BUILD & FLOW TO CURRENT PRODUCTION	8/12/11	22546	AEK	GES
E-1	1 ALL	UPDATED DRYER OUTLET ORIENTATION	4/1/15	PKEC0100	MJD	GES
F-1	ALL	UPDATED BUILD & FLOW TO CURRENT PRODUCTION	4/30/15	PKEC0093	MJD	AEK

MINIMUM RECOMMENDED ELECTRICAL PANEL CLEARANCE PER OSHA/NEC REQUIREMENTS

MINIMUM RECOMMENDED MAINTENANCE CLEARANCE



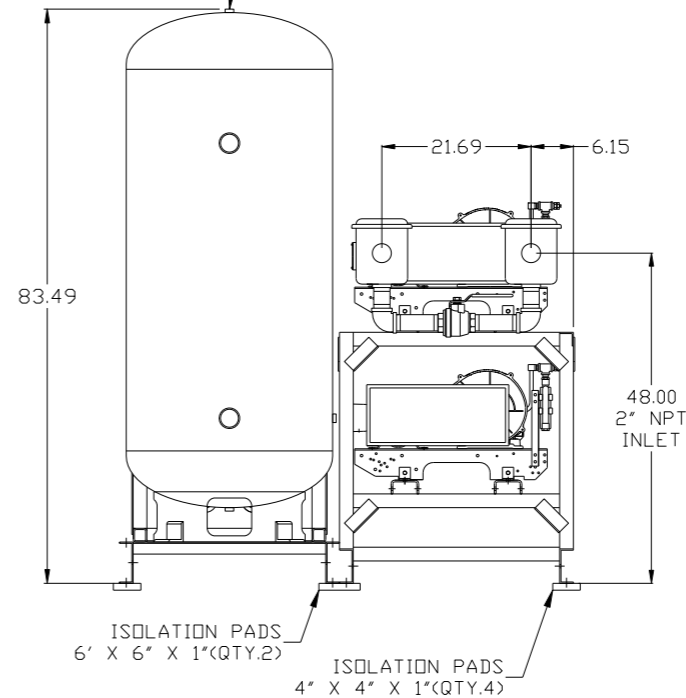
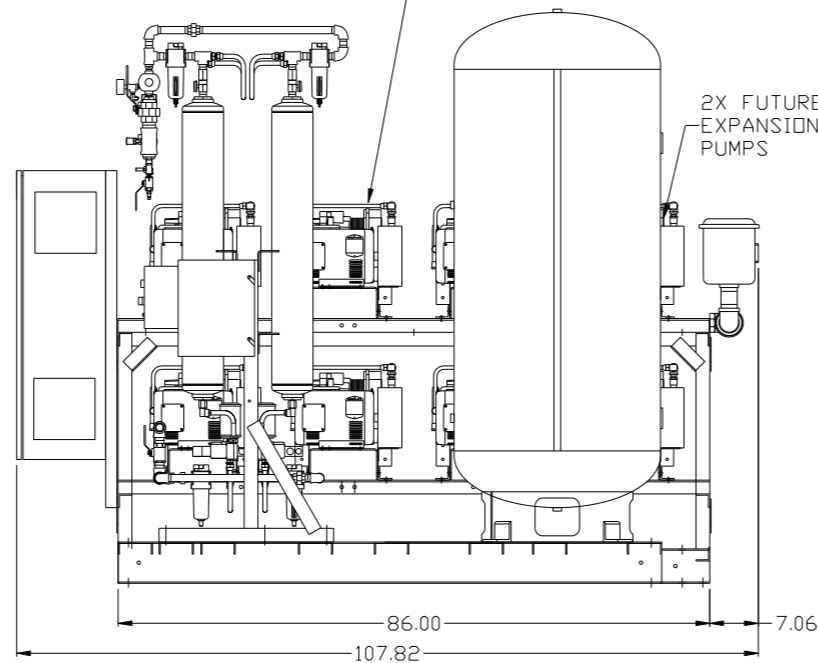
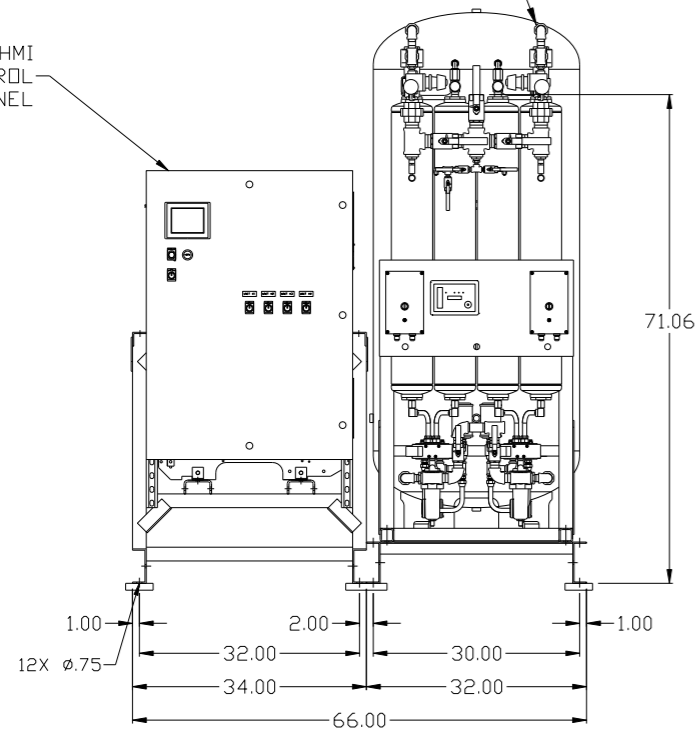
2X DESICCANT DRYERS WITH CARBON MONOXIDE MONITOR, PRE-FILTER, AFTER-FILTER, & CARBON FILTER (OPTIONAL).

6X 5HP SCROLL AIR END

200 GALLON ASME AIR RECEIVER INTERNALLY LINED

PB/MI/HMI CONTROL PANEL

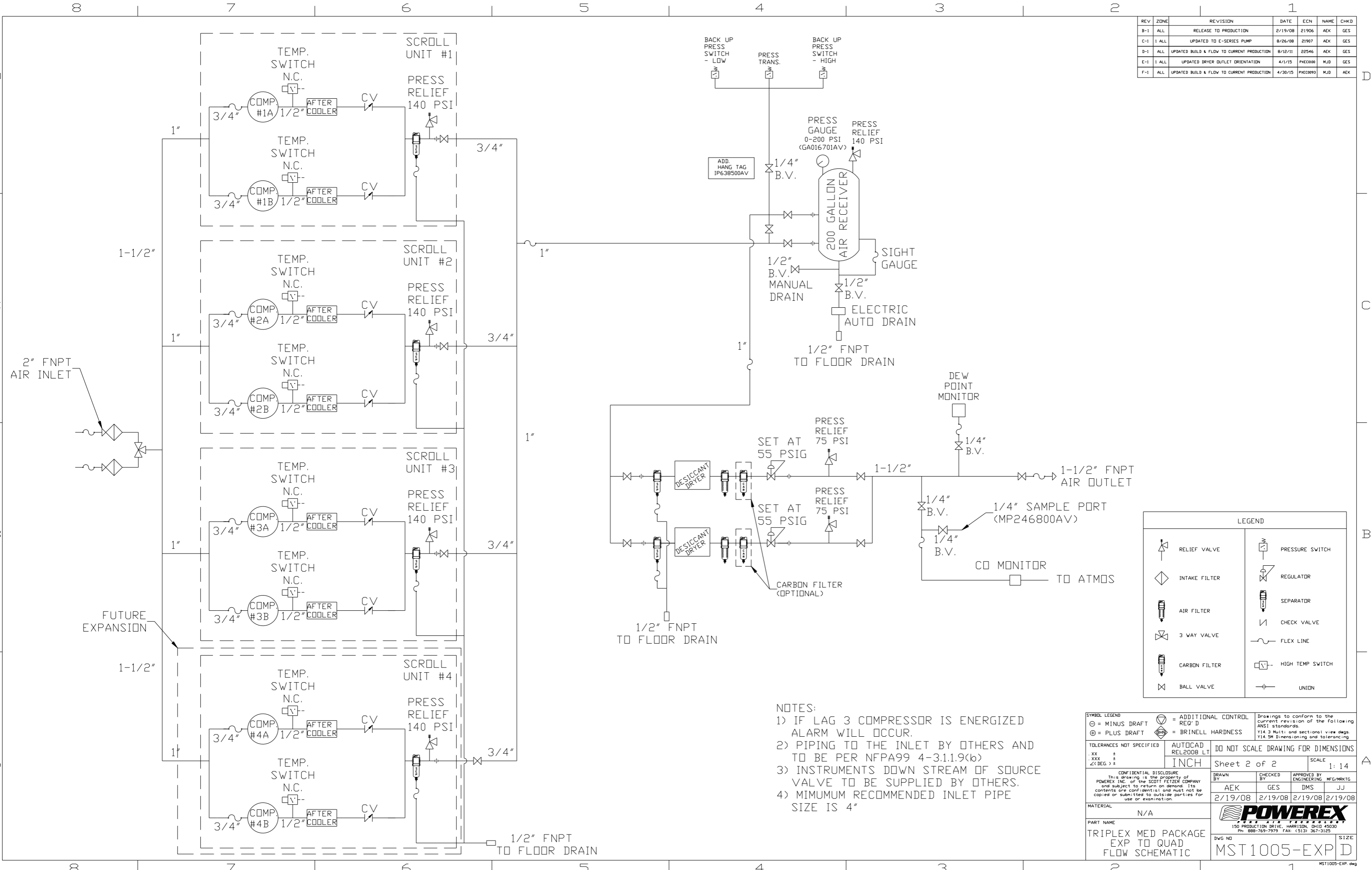
2X FUTURE EXPANSION PUMPS



NOTE: SYSTEM DESIGNED IN COMPLIANCE WITH US NFPA'99, LATEST EDITION.

SYMBOL LEGEND ⊖ = MINUS DRAFT ⊕ = PLUS DRAFT Ⓢ = ADDITIONAL CONTROL REQ'D ⓈH = BRINELL HARDNESS		Drawings to conform to the current revision of the following ANSI standards: Y14.3 Multi and sectional view dgs. Y14.5M Dimensioning and tolerancing	
TOLERANCES NOT SPECIFIED .XX ± .XXX ± \angle DEG ±		DO NOT SCALE DRAWING FOR DIMENSIONS Sheet 1 of 2 SCALE 1:14	
CONFIDENTIAL DISCLOSURE This drawing is the property of POWEREX INC. of the SCOTT FETZER COMPANY and subject to return on demand. Its contents are confidential and must not be copied or submitted to outside parties for use or examination.		DRAWN BY: AEK CHECKED BY: GES APPROVED BY: ENGINEERING MFG/MKTG: DMS, JJ DATE: 2/19/08, 2/19/08, 2/19/08, 2/19/08	
MATERIAL: N/A		POWEREX 150 PRODUCTION DRIVE, HARRISON, OHIO 45030 Ph: 888-769-7979 FAX: (513) 367-3125	
PART NAME: TRIPLEX DILLESS SCROLL 10HP 200GAL BASEMOUNT DUPLEX DESICCANT		DWG NO: MST1005-EXP D SIZE:	

REV	ZONE	REVISION	DATE	ECN	NAME	CHKD
B-1	ALL	RELEASE TO PRODUCTION	2/19/08	21906	AEK	GES
C-1	1 ALL	UPDATED TO E-SERIES PUMP	8/26/08	21907	AEK	GES
D-1	ALL	UPDATED BUILD & FLOW TO CURRENT PRODUCTION	8/12/11	22546	AEK	GES
E-1	1 ALL	UPDATED DRYER OUTLET ORIENTATION	4/1/15	PXEC0100	MJD	GES
F-1	ALL	UPDATED BUILD & FLOW TO CURRENT PRODUCTION	4/30/15	PXEC0093	MJD	AEK



	RELIEF VALVE		PRESSURE SWITCH
	INTAKE FILTER		REGULATOR
	AIR FILTER		SEPARATOR
	3 WAY VALVE		CHECK VALVE
	CARBON FILTER		FLEX LINE
	BALL VALVE		HIGH TEMP SWITCH
			UNION

- NOTES:
- 1) IF LAG 3 COMPRESSOR IS ENERGIZED ALARM WILL OCCUR.
 - 2) PIPING TO THE INLET BY OTHERS AND TO BE PER NFPA99 4-3.1.1.9(b)
 - 3) INSTRUMENTS DOWN STREAM OF SOURCE VALVE TO BE SUPPLIED BY OTHERS.
 - 4) MINIMUM RECOMMENDED INLET PIPE SIZE IS 4"

SYMBOL LEGEND			ADDITIONAL CONTROL REQ'D	Drawings to conform to the current revision of the following ANSI standards	
	MINUS DRAFT		BRINELL HARDNESS	Y14.3 Multi and sectional view dsgs. Y14.3M Dimensioning and tolerancing	
TOLERANCES NOT SPECIFIED		AUTOCAD	REL2008 LT	DO NOT SCALE DRAWING FOR DIMENSIONS	
.XX ±		INCH		Sheet 2 of 2	SCALE 1:14
CONFIDENTIAL DISCLOSURE This drawing is the property of POWEREX INC. of the SCOTT FETZER COMPANY and subject to return on demand. Its contents are confidential and must not be copied or submitted to outside parties for use or examination.					
DRAWN BY		CHECKED BY	APPROVED BY	ENGINEERING MFG/MKTG	
AEK		GES	DMS	JJ	
2/19/08		2/19/08	2/19/08	2/19/08	
MATERIAL		N/A			
PART NAME		TRIPLEX MED PACKAGE EXP TO QUAD FLOW SCHEMATIC		DWG NO MST1005-EXP.D	
150 PRODUCTION DRIVE, HARRISON, OHIO 45030		Ph 888-769-7979 FAX (513) 367-3125		SIZE	