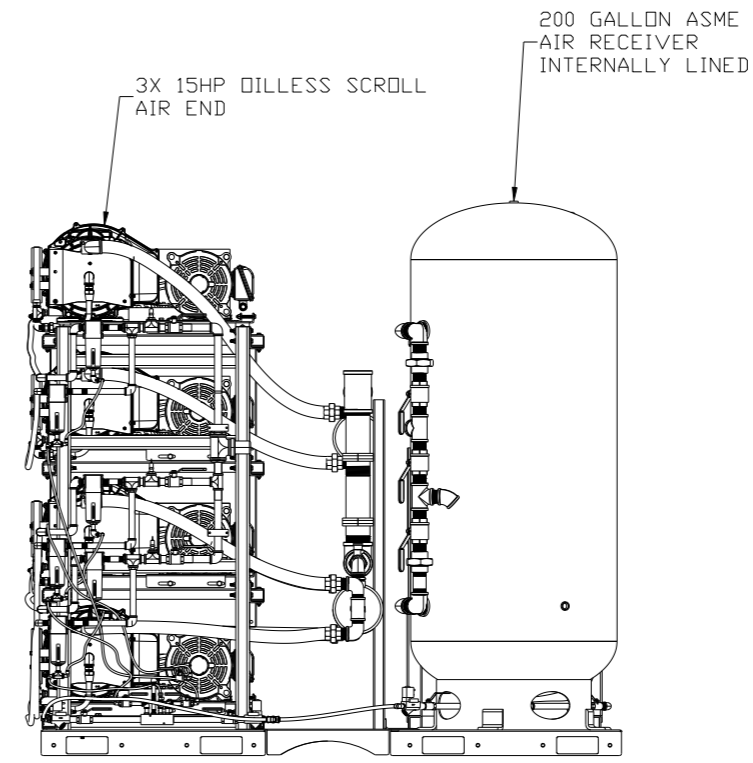
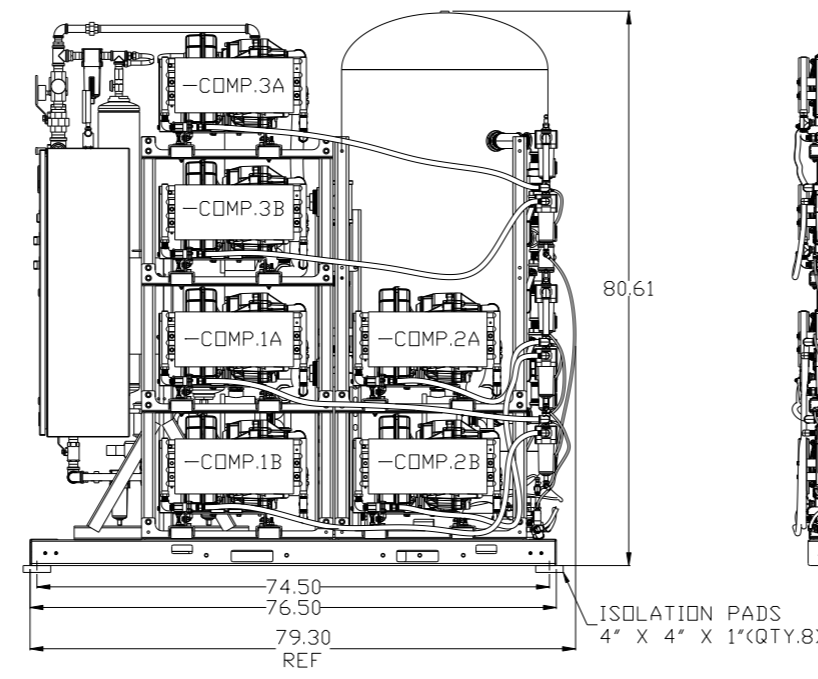
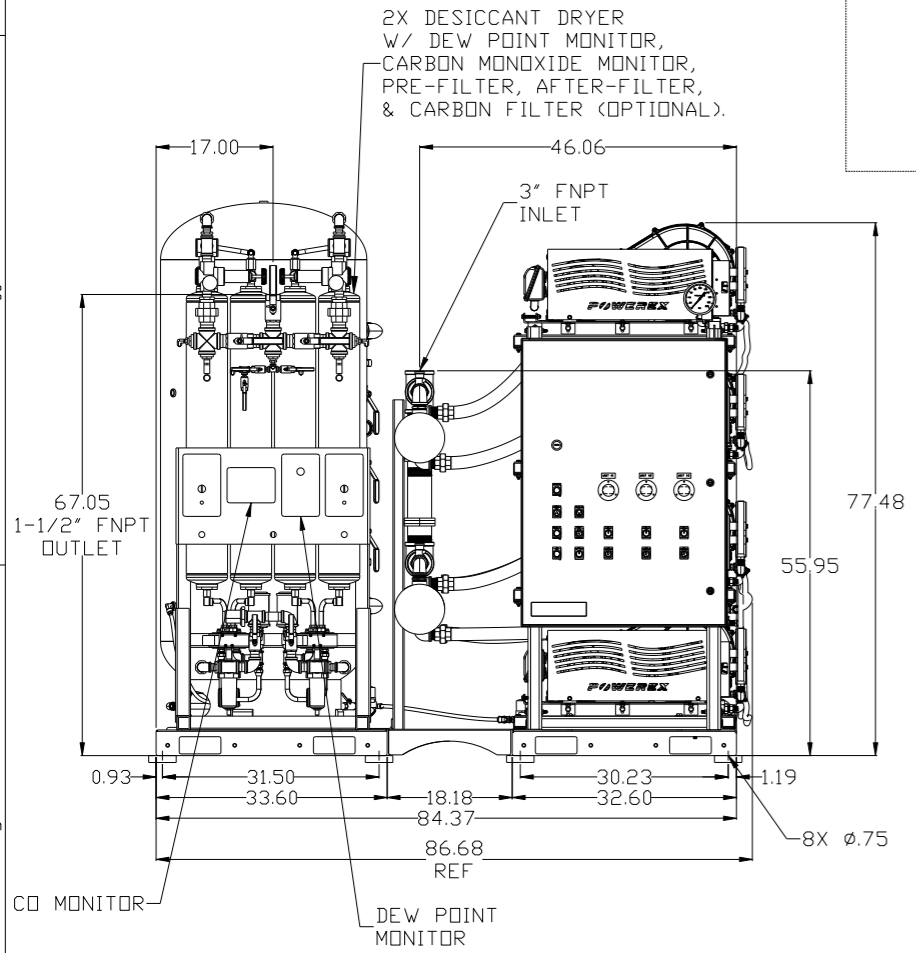
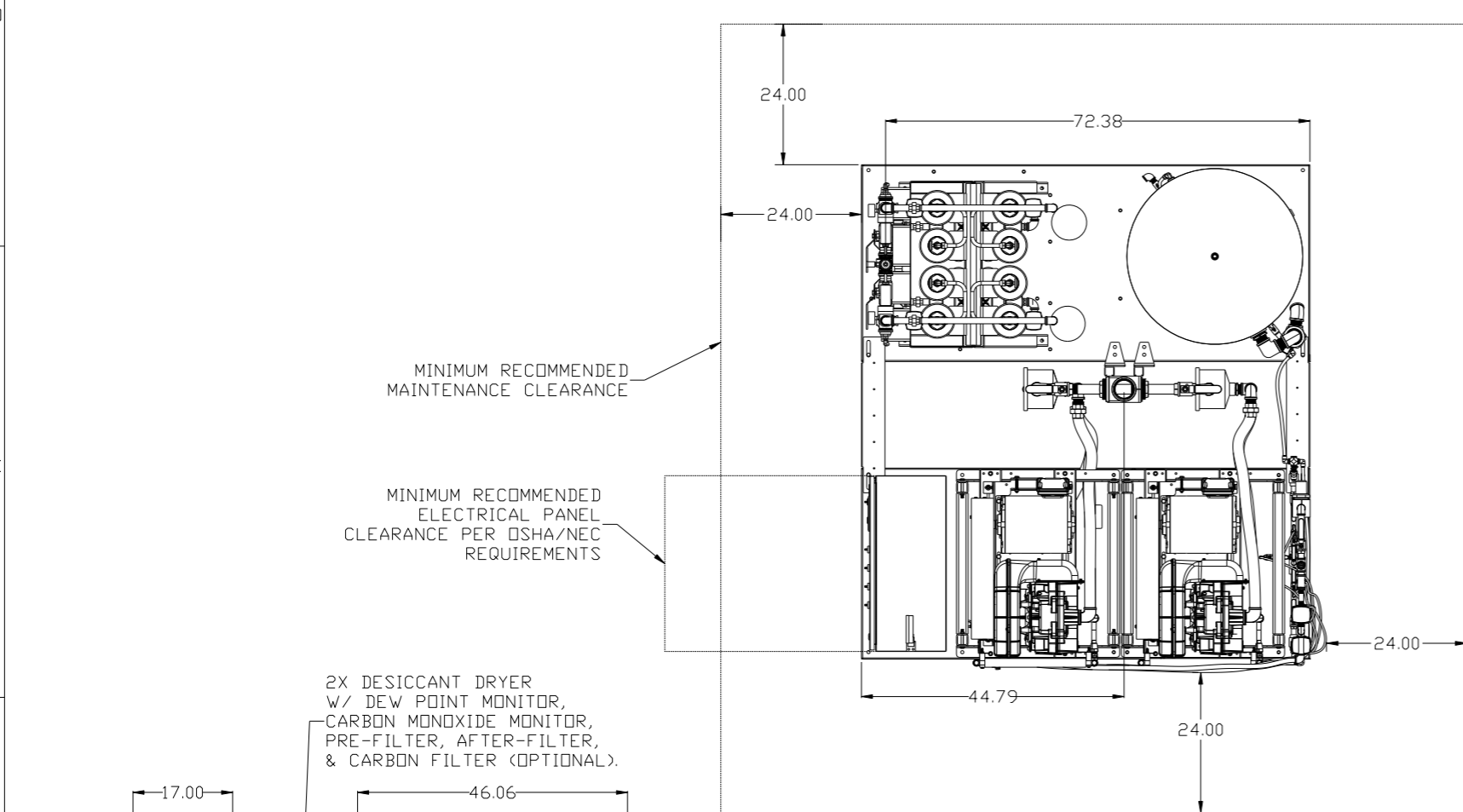


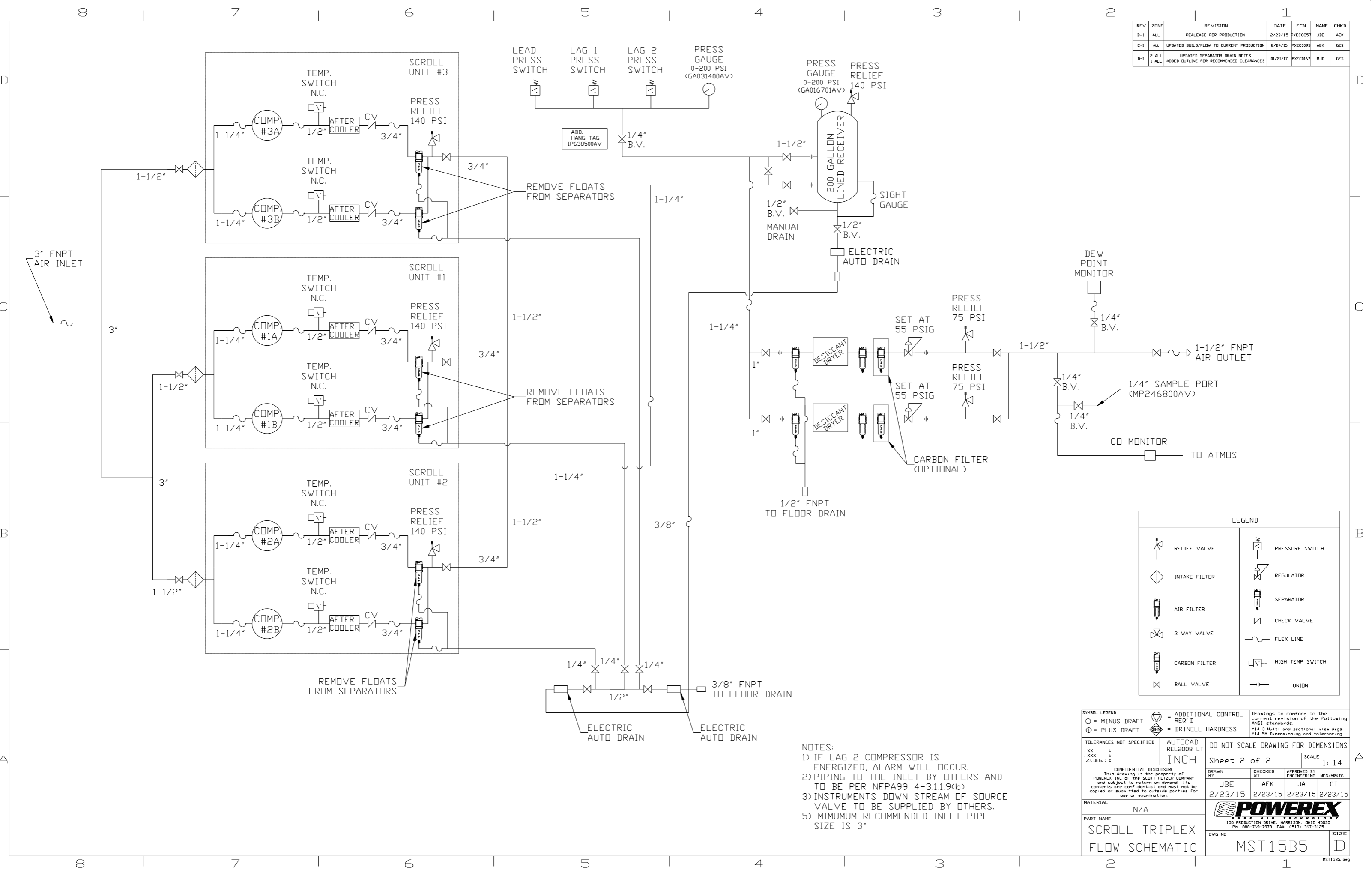
REV	ZONE	REVISION	DATE	ECN	NAME	CHKD
B-1	ALL	RELEASE TO PRODUCTION	2/23/15	PXEC0057	JBE	AEK
C-1	ALL	UPDATED BUILD/FLOW TO CURRENT PRODUCTION	8/24/15	PXEC0093	AEK	GES
D-1	2 ALL 1 ALL	UPDATED SEPARATOR DRAIN NOTES ADDED OUTLINE FOR RECOMMENDED CLEARANCES	01/21/17	PXEC0167	MJD	GES



NOTE: SYSTEM DESIGNED IN COMPLIANCE WITH US NFPA'99, LATEST EDITION.

SYMBOL LEGEND ⊖ = MINUS DRAFT ⊕ = PLUS DRAFT .XX ± .XXX ± << DEG >> ±		⊕ = ADDITIONAL CONTROL REQ'D ⊕ = BRINELL HARDNESS		Drawings to conform to the current revision of the following ANSI standards: Y14.3 Multi and sectional view dsgs. Y14.5M Dimensioning and tolerancing	
TOLERANCES NOT SPECIFIED .XX ± .XXX ± << DEG >> ±		AUTOCAD REL2008 LT INCH		DO NOT SCALE DRAWING FOR DIMENSIONS Sheet 1 of 2 SCALE 1:14	
CONFIDENTIAL DISCLOSURE This drawing is the property of POWEREX, INC. of the SCOTT FELTZER COMPANY and subject to return on demand. Its contents are confidential and must not be copied or submitted to outside parties for use or examination.					
DRAWN BY JBE		CHECKED BY DMS		APPROVED BY ENGINEERING MFG/MKTG JA CT	
MATERIAL N/A		DATE 2/23/15		DATE 2/23/15	
PART NAME 15HP 200 GAL MED BASIC TRI SCROLL		 150 PRODUCTION DRIVE, HARRISON, OHIO 45030 Ph 888-769-7979 FAX (513) 367-3125		DWG NO MST15B5 SIZE D	

REV	ZONE	REVISION	DATE	ECN	NAME	CHKD
B-1	ALL	RELEASE FOR PRODUCTION	2/23/15	PXEC0057	JBE	AEK
C-1	ALL	UPDATED BUILD/FLOW TO CURRENT PRODUCTION	8/24/15	PXEC0093	AEK	GES
D-1	1 ALL	UPDATED SEPARATOR DRAIN NOTES ADDED OUTLINE FOR RECOMMENDED CLEARANCES	01/21/17	PXEC0167	MJD	GES



	RELIEF VALVE		PRESSURE SWITCH
	INTAKE FILTER		REGULATOR
	AIR FILTER		SEPARATOR
	3 WAY VALVE		CHECK VALVE
	CARBON FILTER		FLEX LINE
	BALL VALVE		HIGH TEMP SWITCH
			UNION

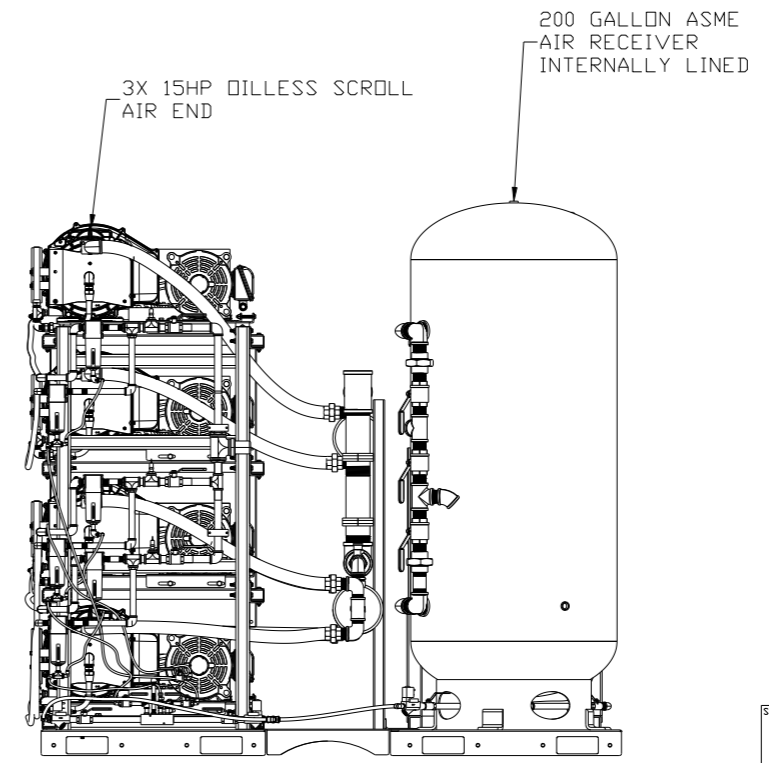
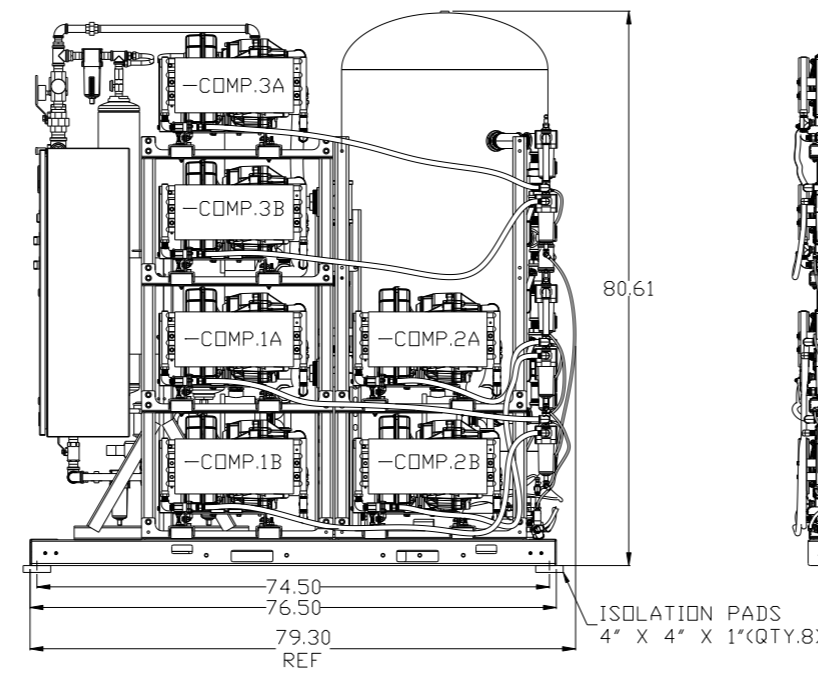
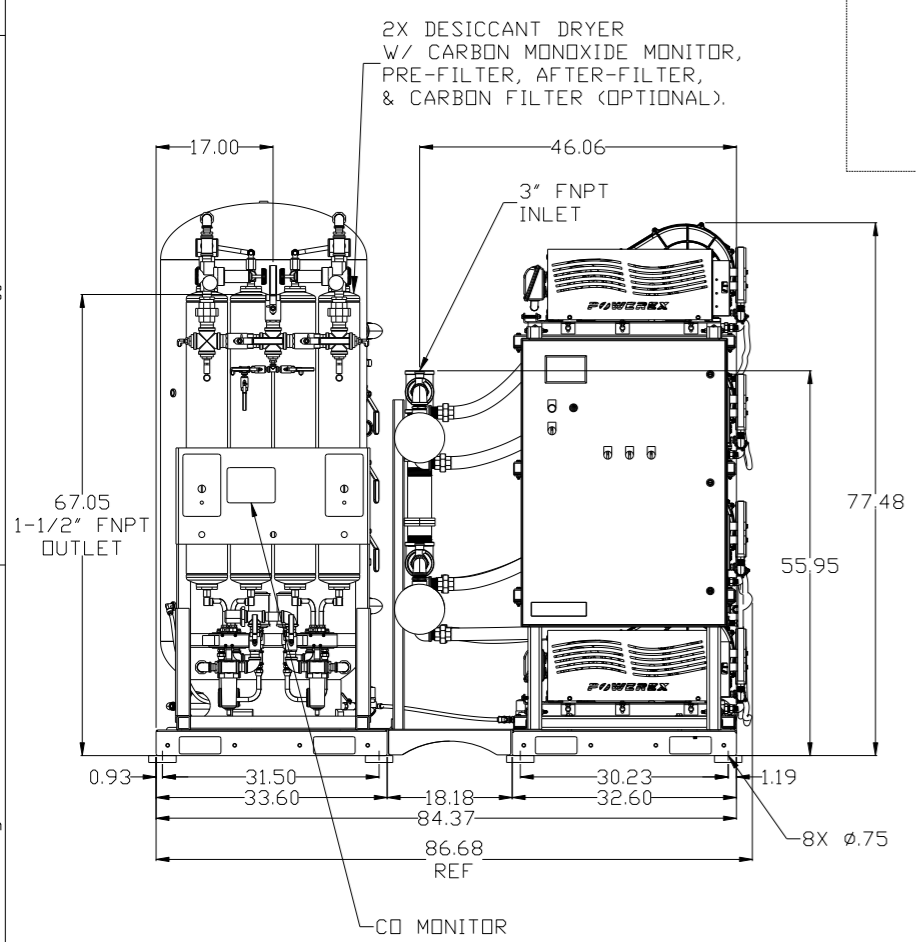
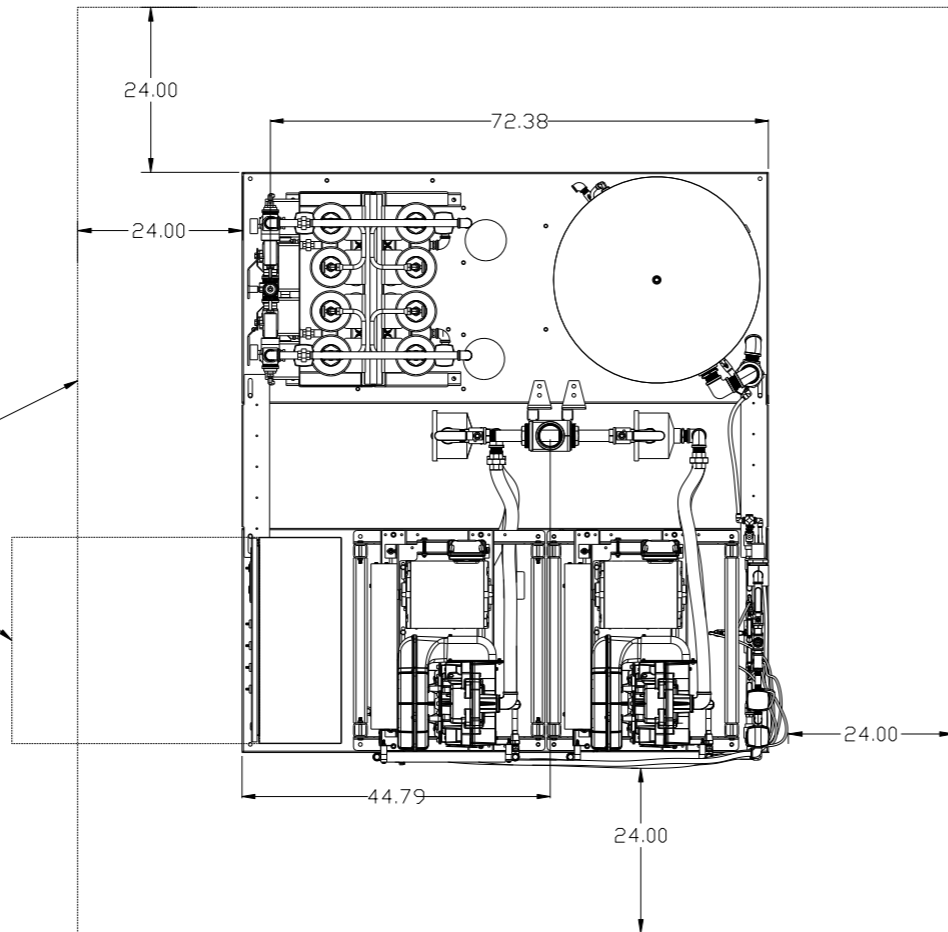
- NOTES:
- 1) IF LAG 2 COMPRESSOR IS ENERGIZED, ALARM WILL OCCUR.
 - 2) PIPING TO THE INLET BY OTHERS AND TO BE PER NFPA99 4-3.1.1.9(b)
 - 3) INSTRUMENTS DOWN STREAM OF SOURCE VALVE TO BE SUPPLIED BY OTHERS.
 - 5) MINIMUM RECOMMENDED INLET PIPE SIZE IS 3"

SYMBOL LEGEND		= ADDITIONAL CONTROL REQ'D		Drawings to conform to the current revision of the following ANSI standards	
= MINUS DRAFT		= BRINELL HARDNESS		Y14.3 Multi and sectional view dgs. Y14.5M Dimensioning and tolerancing	
TOLERANCES NOT SPECIFIED		AUTOCAD REL2008 LT		DO NOT SCALE DRAWING FOR DIMENSIONS	
.XX ±		INCH		Sheet 2 of 2	
.XXX ±				SCALE 1:14	
<< DEG >> ±					
CONFIDENTIAL DISCLOSURE This drawing is the property of POWEREX, INC. of the SCOTT FETZER COMPANY and subject to return on demand. Its contents are confidential and must not be copied or submitted to outside parties for use or examination.					
DRAWN BY		CHECKED BY		APPROVED BY	
JBE		AEK		JA CT	
2/23/15		2/23/15		2/23/15 2/23/15	
MATERIAL N/A					
PART NAME SCROLL TRIPLEX FLOW SCHEMATIC				SIZE D	
DWG NO MST15B5				MST15B5.dwg	

8 7 6 5 4 3 2 1

REV	ZONE	REVISION	DATE	ECN	NAME	CHKD
B-1	ALL	RELEASE TO PRODUCTION	2/23/15	PXEC0057	JBE	AEK
C-1	ALL	UPDATED BUILD/FLOW TO CURRENT PRODUCTION	8/24/15	PXEC0093	AEK	GES
D-1	2 ALL 1 ALL	UPDATED SEPARATOR DRAIN NOTES ADDED OUTLINE FOR RECOMMENDED CLEARANCES	01/21/17	PXEC0167	MJD	GES

D
C
B
A

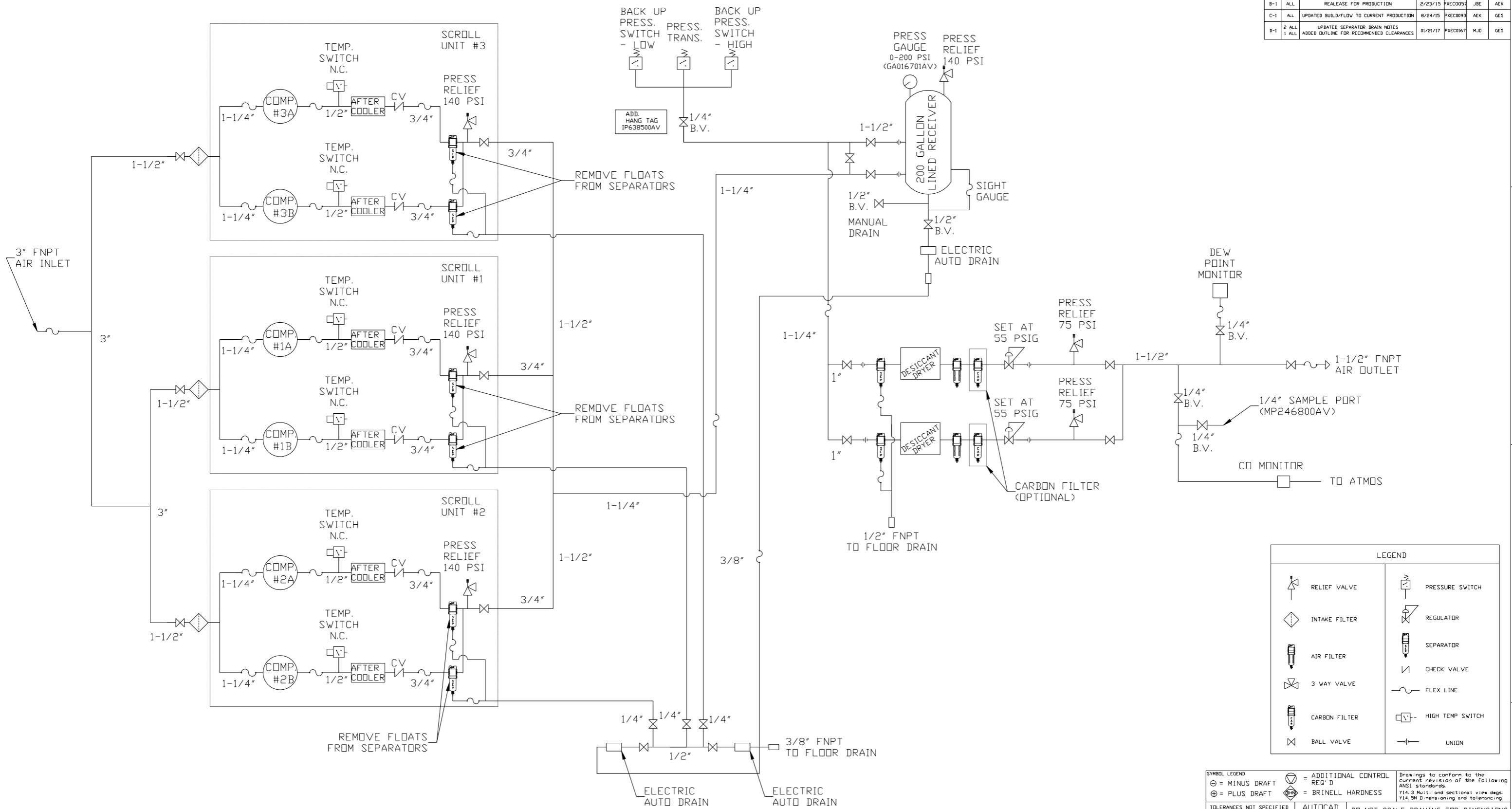


NOTE: SYSTEM DESIGNED IN COMPLIANCE WITH US NFPA'99, LATEST EDITION.

SYMBOL LEGEND		= ADDITIONAL CONTROL REQ'D		Drawings to conform to the current revision of the following ANSI standards:	
⊖	MINUS DRAFT	⊕	PLUS DRAFT	⊖	BRINELL HARDNESS
TOLERANCES NOT SPECIFIED		AUTOCAD REL2008 LT		DO NOT SCALE DRAWING FOR DIMENSIONS	
.XX	±	INCH		Sheet 1 of 2	SCALE 1:14
.XXX	±				
<<DEG>>	±				
CONFIDENTIAL DISCLOSURE This drawing is the property of POWEREX, INC. of the SCOTT FELTZER COMPANY and subject to return on demand. Its contents are confidential and must not be copied or submitted to outside parties for use or examination.					
DRAWN BY		CHECKED BY		APPROVED BY	
JBE		DMS		JA CT	
2/23/15		2/23/15		2/23/15 2/23/15	
MATERIAL N/A					
PART NAME					
15HP 200 GAL MED					
PXMI TRI SCROLL					
DWG NO				SIZE	
MST15B5				D	

8 7 6 5 4 3 2 1

REV	ZONE	REVISION	DATE	ECN	NAME	CHKD
B-1	ALL	RELEASE FOR PRODUCTION	2/23/15	PXEC0057	JBE	AEK
C-1	ALL	UPDATED BUILD/FLOW TO CURRENT PRODUCTION	8/24/15	PXEC0093	AEK	GES
D-1	2 ALL	UPDATED SEPARATOR DRAIN NOTES	01/21/17	PXEC0167	MJD	GES
D-1	1 ALL	ADDED OUTLINE FOR RECOMMENDED CLEARANCES				



	RELIEF VALVE		PRESSURE SWITCH
	INTAKE FILTER		REGULATOR
	AIR FILTER		SEPARATOR
	3 WAY VALVE		CHECK VALVE
	CARBON FILTER		FLEX LINE
	BALL VALVE		HIGH TEMP SWITCH
			UNION

- NOTES:
- 1) IF LAG 2 COMPRESSOR IS ENERGIZED, ALARM WILL OCCUR.
 - 2) PIPING TO THE INLET BY OTHERS AND TO BE PER NFPA99 4-3.1.1.9(b)
 - 3) INSTRUMENTS DOWN STREAM OF SOURCE VALVE TO BE SUPPLIED BY OTHERS.
 - 5) MINIMUM RECOMMENDED INLET PIPE SIZE IS 3"

SYMBOL LEGEND		= ADDITIONAL CONTROL REQ'D		Drawings to conform to the current revision of the following ANSI standards	
= MINUS DRAFT		= BRINELL HARDNESS		Y14.3 Multi and sectional view deqs. Y14.5M Dimensioning and tolerancing	
= PLUS DRAFT					
TOLERANCES NOT SPECIFIED		AUTOCAD REL2008 LT		DO NOT SCALE DRAWING FOR DIMENSIONS	
.XX ±		INCH		Sheet 2 of 2	
.XXX ±				SCALE 1:14	
<<DEG>> ±					
CONFIDENTIAL DISCLOSURE This drawing is the property of POWEREX, INC. of the SCOTT FETZER COMPANY and subject to return on demand. Its contents are confidential and must not be copied or submitted to outside parties for use or examination.					
DRAWN BY		CHECKED BY		APPROVED BY	
JBE		AEK		JA CT	
2/23/15		2/23/15		2/23/15 2/23/15	
MATERIAL N/A					
PART NAME					
SCROLL TRIPLEX					
FLOW SCHEMATIC					
DWG NO				SIZE	
MST15B5				D	