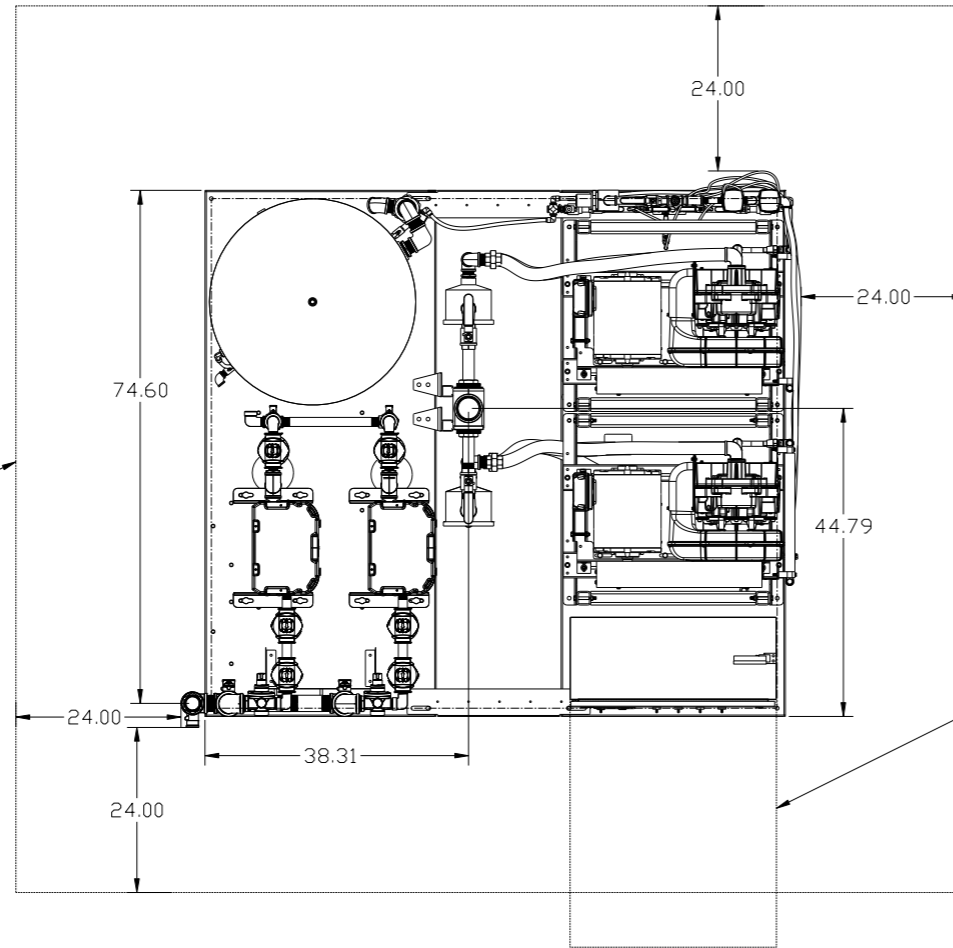
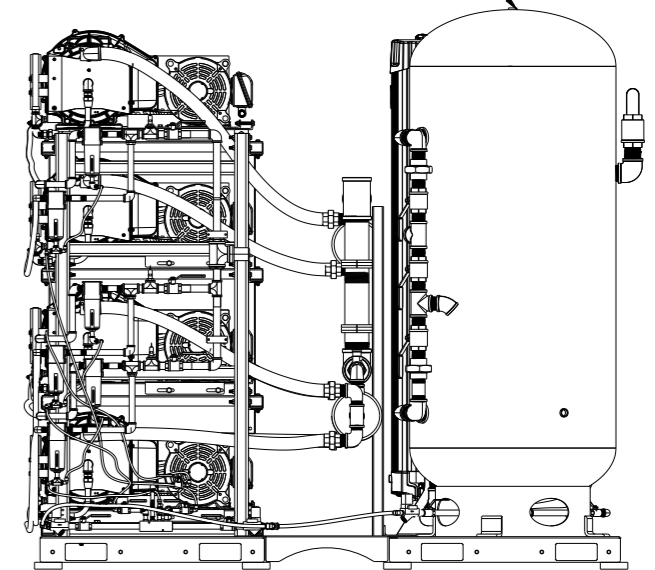
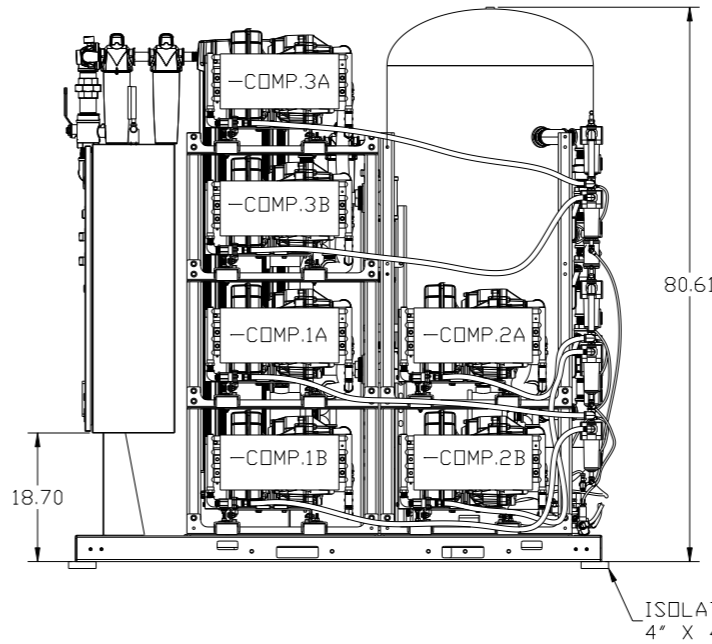
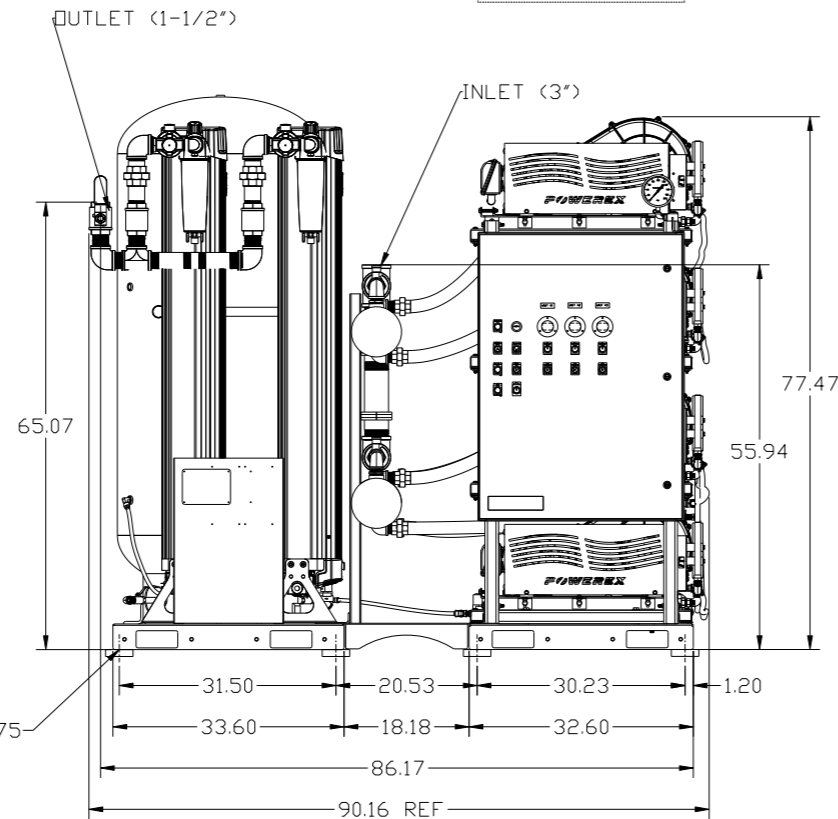
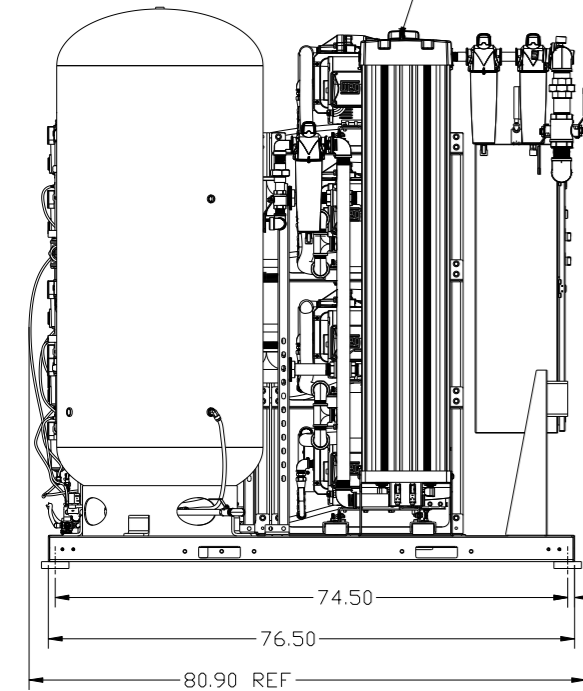


REV	ZONE	REVISION	DATE	ECN	NAME	CHKD
B-1	ALL	RELEASE TO PRODUCTION	2/23/15	PXEC0057	JBE	AEK
C-1	2 ALL	CORRECTED SEPARATOR BRAIN LINES TO 1/4"	1/16/17	PXEC0167	MJD	GES
	2 ALL	ADDED NOTE TO REMOVE SEPARATOR FLOAT				
	1 ALL	CORRECTED VIEW POSITIONING				
	1 ALL	ADDED OUTLINE FOR RECOMMENDED CLEARANCES				



2X DESICCANT DRYER
W/ DEW POINT MONITOR,
CARBON MONOXIDE MONITOR,
PRE-FILTER, AFTER-FILTER,
& CARBON FILTER (OPTIONAL)

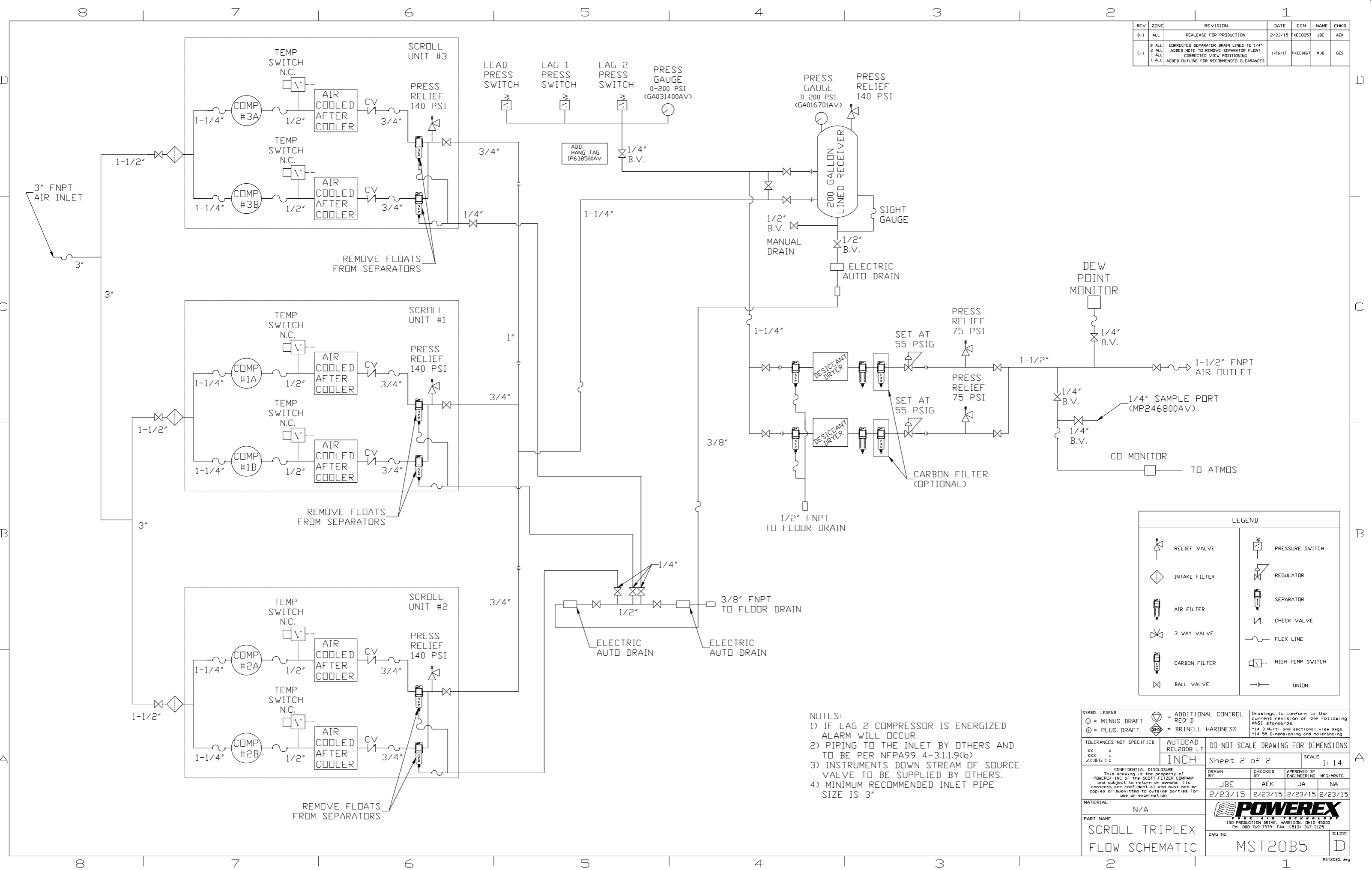
200 GALLON ASME
AIR RECEIVER
INTERNALLY LINED



NOTE: SYSTEM DESIGNED IN
COMPLIANCE WITH US NFPA'99,
LATEST EDITION.

SYMBOL LEGEND		AUTOCAD REL2008 LT		DO NOT SCALE DRAWING FOR DIMENSIONS	
⊖	= MINUS DRAFT			Sheet 1 of 2	
⊕	= PLUS DRAFT	INCH		SCALE 1:14	
TOLERANCES NOT SPECIFIED		SCALE		SCALE	
.XX	±				
.XXX	±				
<<DEG>	±				
CONFIDENTIAL DISCLOSURE This drawing is the property of POWEREX, INC. of the SCOTT FELTZER COMPANY and subject to return on demand. Its contents are confidential and must not be copied or submitted to outside parties for use or examination.		DRAWN BY JBE		CHECKED BY AEK	
		APPROVED BY JA		MFG/MKTG NA	
MATERIAL N/A		2/23/15		2/23/15	
PART NAME MED SCROLL TRIPLEX 20HP 200GAL		2/23/15		2/23/15	
DWG NO MST20B5		SIZE D			

REV	ZONE	REVISION	DATE	ECN	NAME	CHKD
B-1	ALL	RELEASE FOR PRODUCTION	2/23/15	PXEC0057	JBE	AEK
2	ALL	CORRECTED SEPARATOR BRAIN LINES TO 1/4"				
1	ALL	ADDED NOTE TO REMOVE SEPARATOR FLOAT				
C-1	ALL	CORRECTED VIEW POSITIONING	1/16/17	PXEC0167	MJD	GES
1	ALL	ADDED OUTLINE FOR RECOMMENDED CLEARANCES				



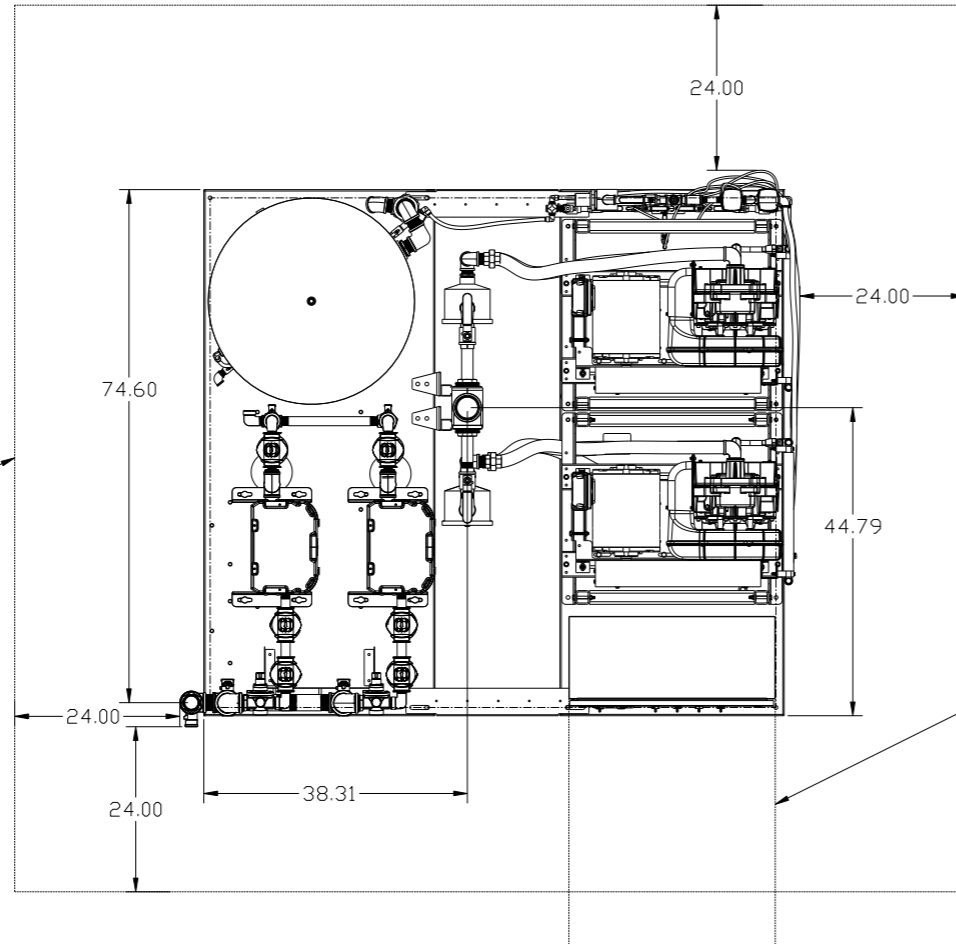
	RELIEF VALVE		PRESSURE SWITCH
	INTAKE FILTER		REGULATOR
	AIR FILTER		SEPARATOR
	3 WAY VALVE		CHECK VALVE
	CARBON FILTER		FLEX LINE
	BALL VALVE		HIGH TEMP SWITCH
			UNION

- NOTES:
- 1) IF LAG 2 COMPRESSOR IS ENERGIZED ALARM WILL OCCUR.
 - 2) PIPING TO THE INLET BY OTHERS AND TO BE PER NFPA99 4-3.1.1.9(b)
 - 3) INSTRUMENTS DOWN STREAM OF SOURCE VALVE TO BE SUPPLIED BY OTHERS.
 - 4) MINIMUM RECOMMENDED INLET PIPE SIZE IS 3"

SYMBOL LEGEND		AUTOCAD REL2008 LT		DO NOT SCALE DRAWING FOR DIMENSIONS	
⊖	MINUS DRAFT	+	PLUS DRAFT	Sheet 2 of 2	SCALE 1:14
⊕	PLUS DRAFT	+	PLUS DRAFT	2/23/15	2/23/15
⊖	MINUS DRAFT	+	PLUS DRAFT	2/23/15	2/23/15
⊕	PLUS DRAFT	+	PLUS DRAFT	2/23/15	2/23/15
MATERIAL N/A		PART NAME		DRAWING NO.	
		SCROLL TRIPLEX FLOW SCHEMATIC		MST20B5	
		SIZE		D	

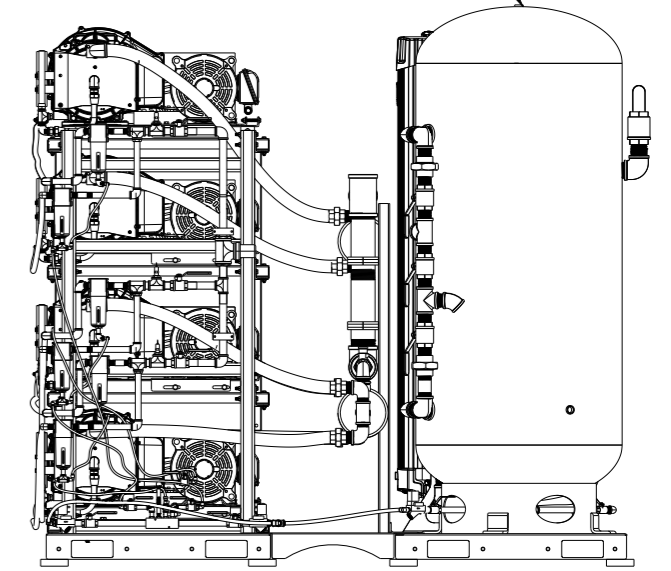
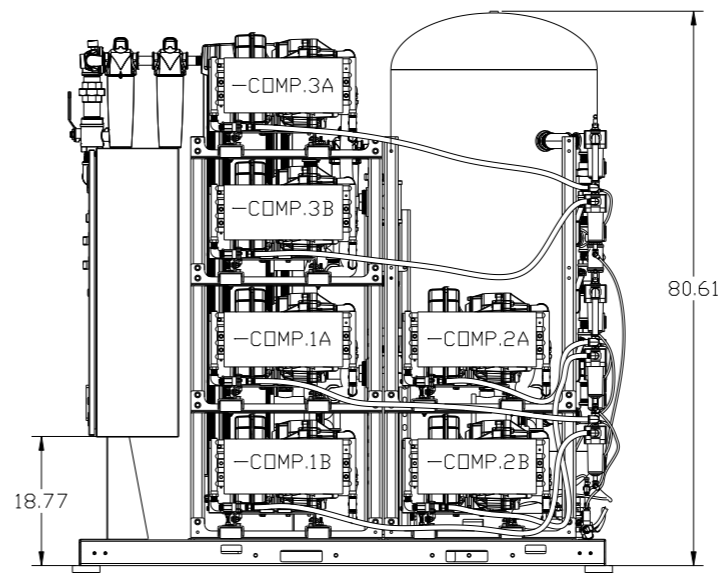
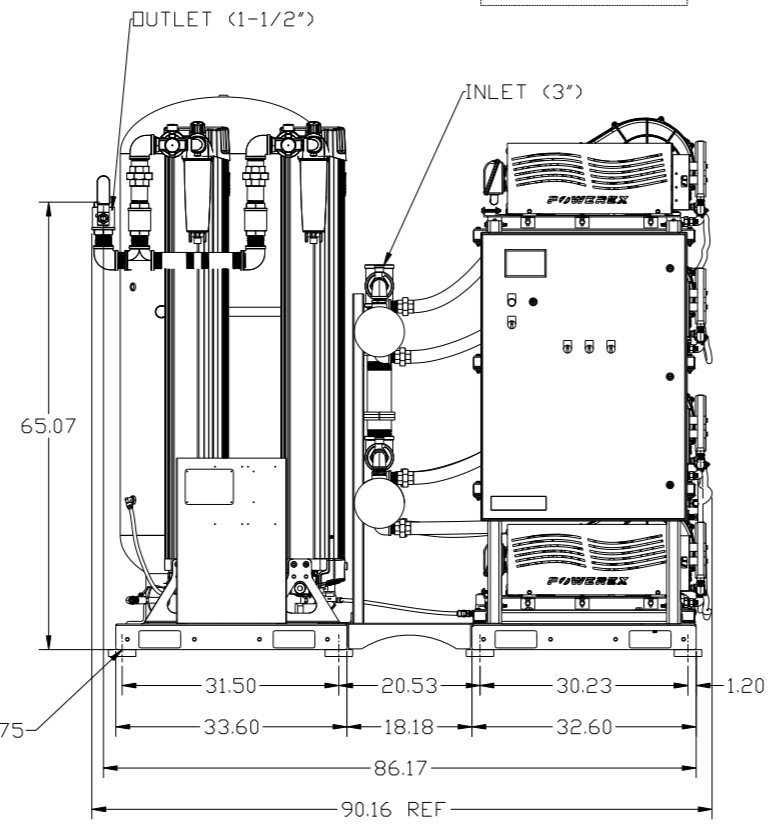
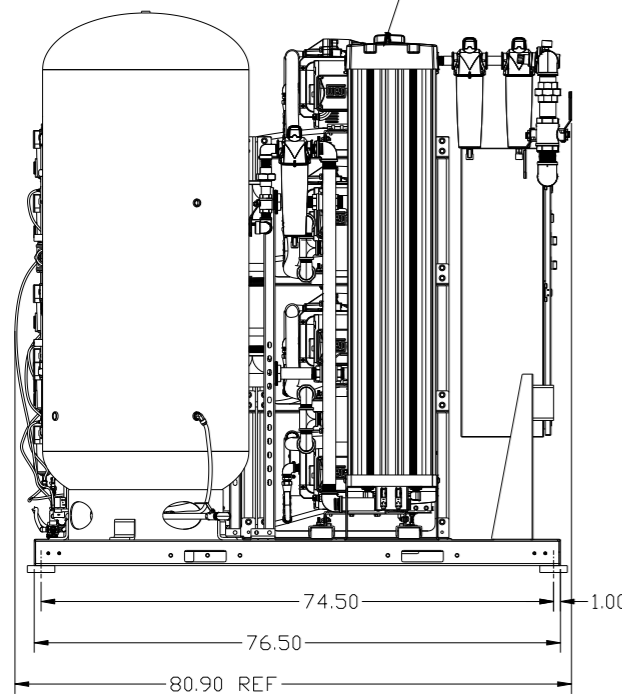


REV	ZONE	REVISION	DATE	ECN	NAME	CHKD
B-1	ALL	RELEASE TO PRODUCTION	2/23/15	PXEC0057	JBE	AEK
C-1	2 ALL	CORRECTED SEPARATOR BRAIN LINES TO 1/4"				
	1 ALL	ADDED NOTE TO REMOVE SEPARATOR FLOAT	1/16/17	PXEC0167	MJD	GES
	1 ALL	CORRECTED VIEW POSITIONING				
		ADDED OUTLINE FOR RECOMMENDED CLEARANCES				



2X DESICCANT DRYER
W/ CARBON MONOXIDE MONITOR,
PRE-FILTER, AFTER-FILTER,
& CARBON FILTER (OPTIONAL).

200 GALLON ASME
AIR RECEIVER
INTERNALLY LINED

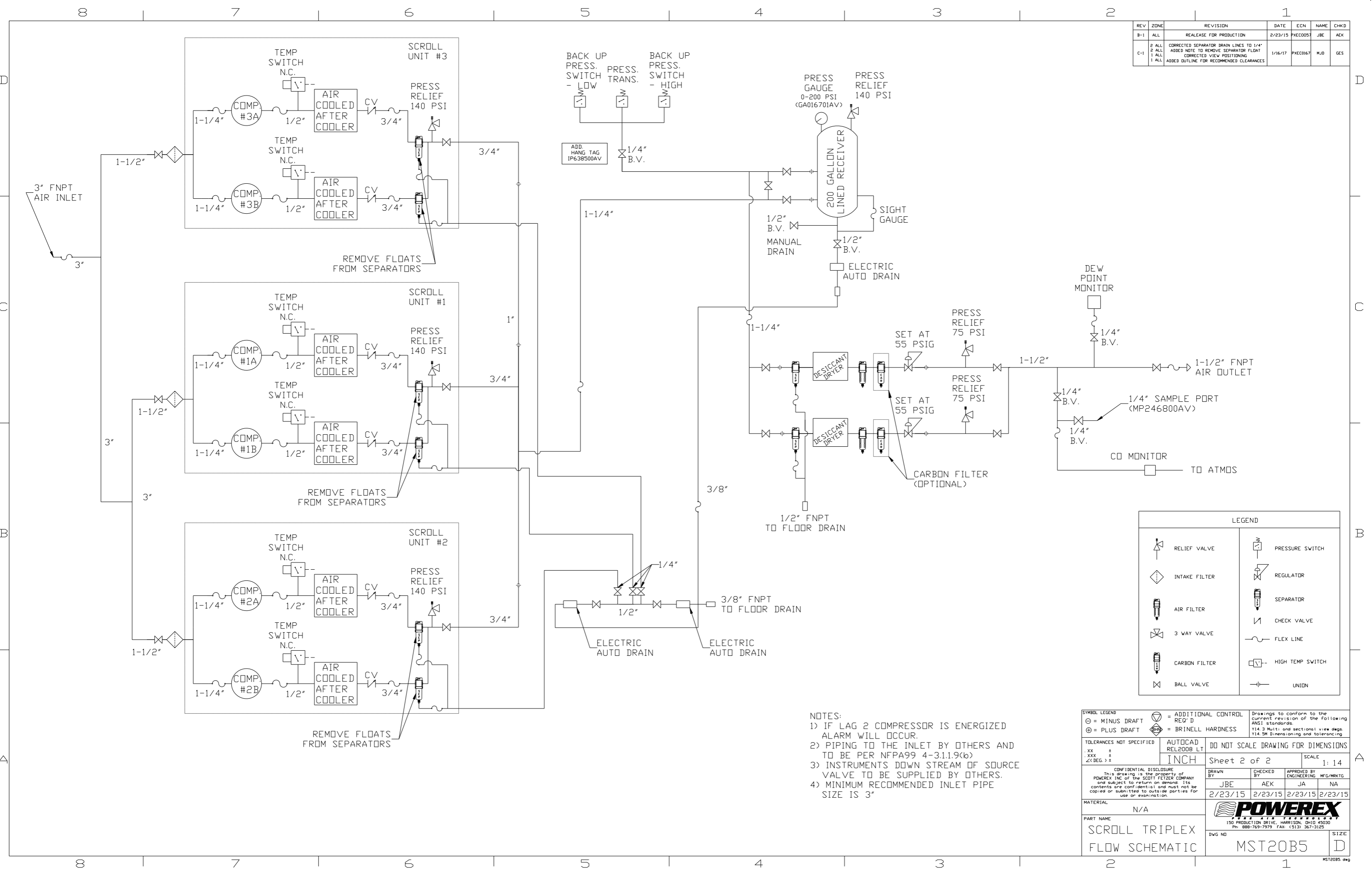


NOTE: SYSTEM DESIGNED IN
COMPLIANCE WITH US NFPA'99,
LATEST EDITION.

ISOLATION PADS
4" X 4" X 1"(QTY.8)

SYMBOL LEGEND		= MINUS DRAFT		= PLUS DRAFT		= ADDITIONAL CONTROL REQ'D		= BRINELL HARDNESS		Drawings to conform to the current revision of the following ANSI standards: Y14.3 Multi and sectional view dsgs. Y14.5M Dimensioning and tolerancing	
TOLERANCES NOT SPECIFIED		.XX ±		.XXX ±		<DEG> ±		AUTOCAD REL2008 LT		DO NOT SCALE DRAWING FOR DIMENSIONS	
MATERIAL		N/A		PART NAME		MED SCROLL TRIPLEX		20HP 200GAL		Sheet 1 of 2	
DRAWN BY		JBE		CHECKED BY		AEK		APPROVED BY		ENGINEERING MFG/MKTG	
DATE		2/23/15		DATE		2/23/15		DATE		2/23/15	
SCALE		1:14		DATE		2/23/15		DATE		2/23/15	
DWG NO		MST20B5		SIZE		D		PART NO		MST20B5.dwg	

REV	ZONE	REVISION	DATE	ECN	NAME	CHKD
B-1	ALL	RELEASE FOR PRODUCTION	2/23/15	PXEC0057	JBE	AEK
2	ALL	CORRECTED SEPARATOR BRAIN LINES TO 1/4"				
1	ALL	ADDED NOTE TO REMOVE SEPARATOR FLOAT				
1	ALL	CORRECTED VIEW POSITIONING				
C-1	ALL	ADDED OUTLINE FOR RECOMMENDED CLEARANCES	1/16/17	PXEC0167	MJD	GES



- NOTES:
- 1) IF LAG 2 COMPRESSOR IS ENERGIZED ALARM WILL OCCUR.
 - 2) PIPING TO THE INLET BY OTHERS AND TO BE PER NFPA99 4-3.1.1.9(b)
 - 3) INSTRUMENTS DOWN STREAM OF SOURCE VALVE TO BE SUPPLIED BY OTHERS.
 - 4) MINIMUM RECOMMENDED INLET PIPE SIZE IS 3"

LEGEND	
	RELIEF VALVE
	INTAKE FILTER
	AIR FILTER
	3 WAY VALVE
	CARBON FILTER
	BALL VALVE
	PRESSURE SWITCH
	REGULATOR
	SEPARATOR
	CHECK VALVE
	FLEX LINE
	HIGH TEMP SWITCH
	UNION

SYMBOL LEGEND			ADDITIONAL CONTROL REQ'D	Drawings to conform to the current revision of the following ANSI standards	
	MINUS DRAFT		BRINELL HARDNESS	Y14.3 Multi and sectional view dsgs. Y14.5M Dimensioning and tolerancing	
TOLERANCES NOT SPECIFIED		AUTOCAD REL2008 LT	DO NOT SCALE DRAWING FOR DIMENSIONS		
.xx ±		INCH	Sheet 2 of 2	SCALE 1:14	
.xxx ±					
<<DEG>> ±					
CONFIDENTIAL DISCLOSURE This drawing is the property of POWEREX, INC. of the SCOTT FETZER COMPANY and subject to return on demand. Its contents are confidential and must not be copied or submitted to outside parties for use or examination.					
DRAWN BY		CHECKED BY	APPROVED BY	ENGINEERING MFG/MKTG	
JBE		AEK	JA	NA	
2/23/15		2/23/15	2/23/15	2/23/15	
MATERIAL		N/A			
PART NAME		SCROLL TRIPLEX FLOW SCHEMATIC			
DWG NO		MST20B5		SIZE D	