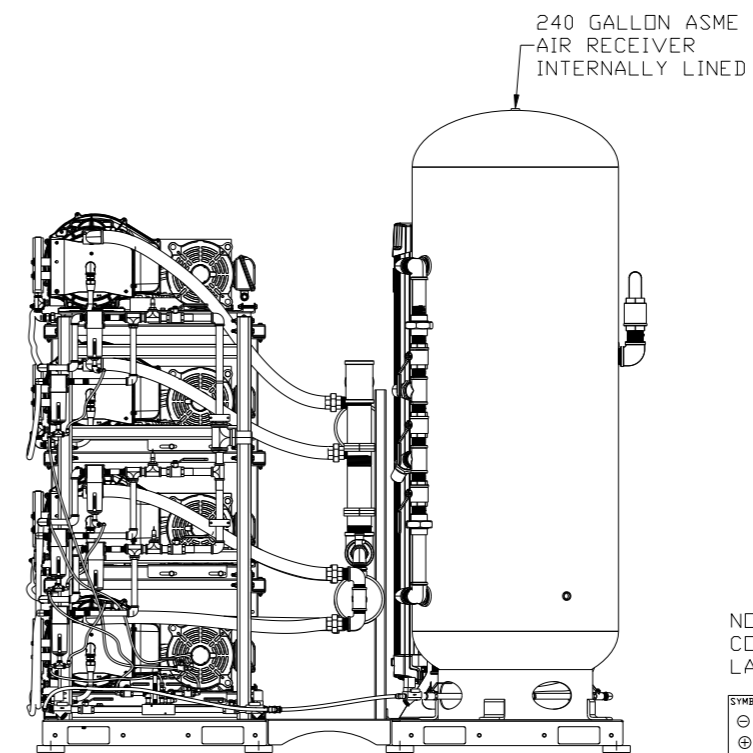
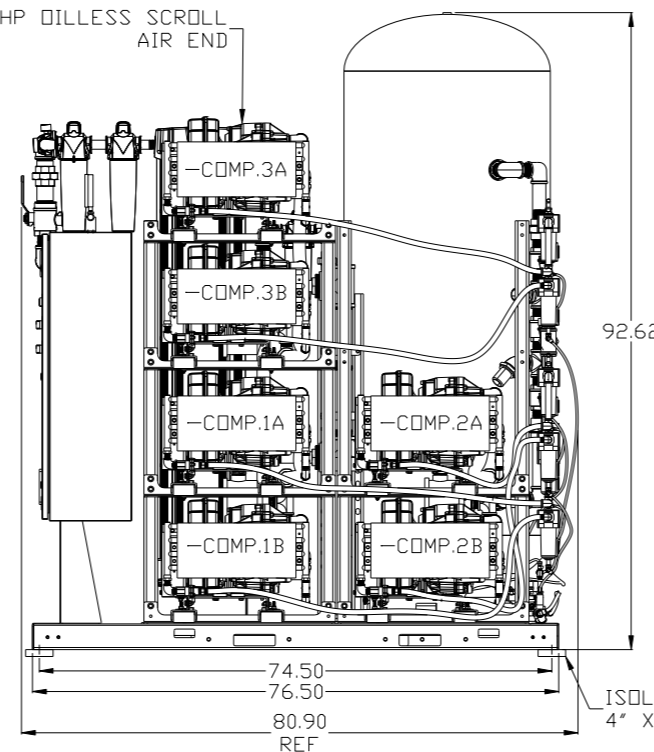
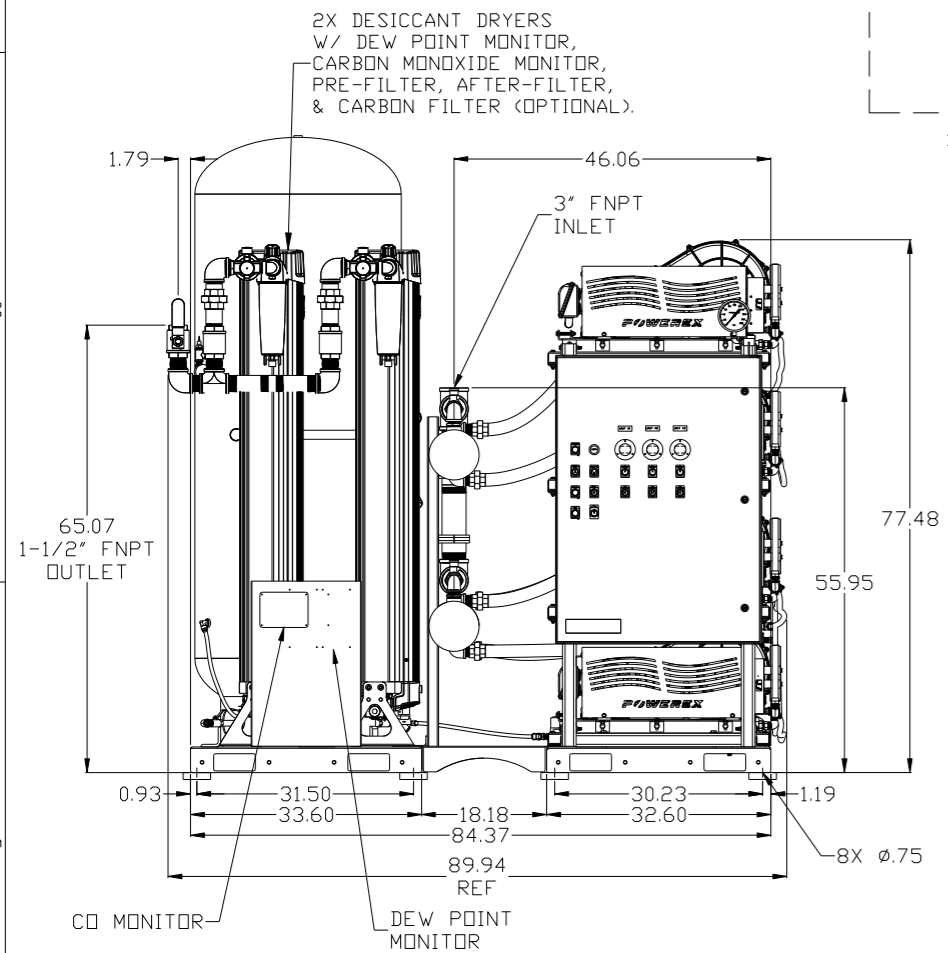
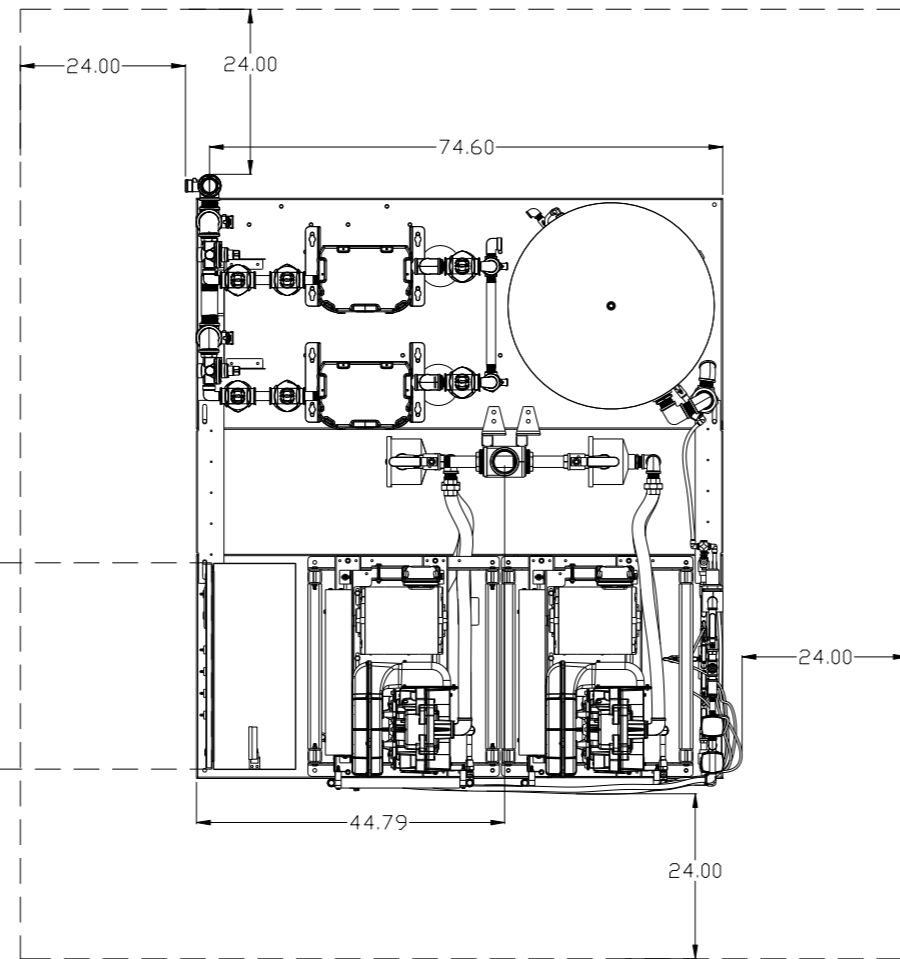


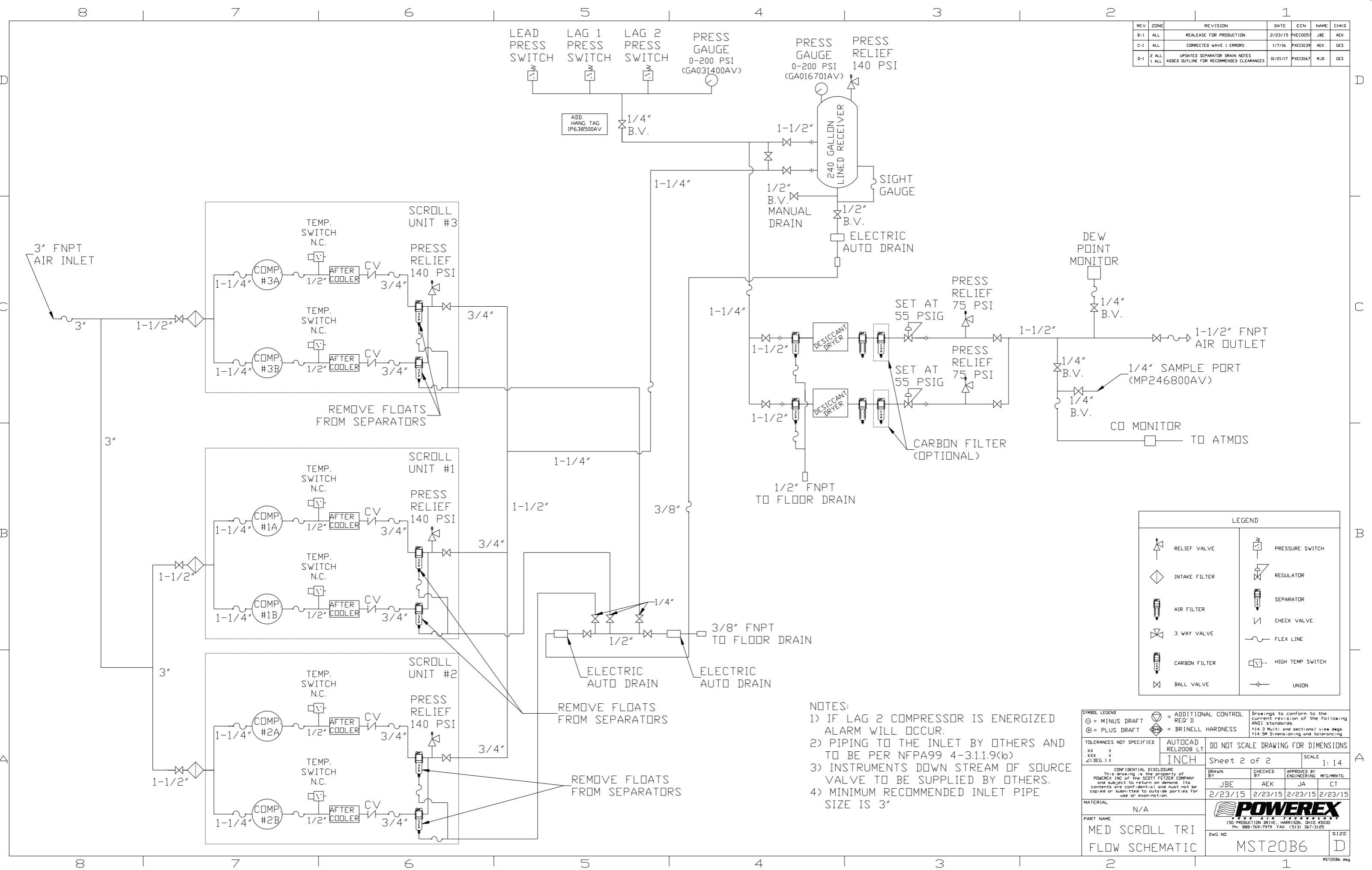
REV	ZONE	REVISION	DATE	ECN	NAME	CHKD
B-1	ALL	RELEASE TO PRODUCTION	2/23/15	PXEC0057	JBE	AEK
C-1	ALL	CORRECTED WAVE 1 ERRORS	1/7/16	PXEC0139	AEK	GES
2	ALL	UPDATED SEPARATOR DRAIN NOTES	01/21/17	PXEC0167	MJD	GES
1	ALL	ADDED OUTLINE FOR RECOMMENDED CLEARANCES				



NOTE: SYSTEM DESIGNED IN COMPLIANCE WITH US NFPA'99, LATEST EDITION.

SYMBOL LEGEND		= ADDITIONAL CONTROL REQ'D		Drawings to conform to the current revision of the following ANSI standards:	
⊖	MINUS DRAFT	⊕	PLUS DRAFT	⊖	Y14.3 Multi and sectional view dsgs.
⊕	PLUS DRAFT	⊖	MINUS DRAFT	⊖	Y14.5M Dimensioning and tolerancing
⊖	MINUS DRAFT	⊕	PLUS DRAFT	⊖	Y14.7 Brinell Hardness
TOLERANCES NOT SPECIFIED		AUTOCAD REL2008 LT		DO NOT SCALE DRAWING FOR DIMENSIONS	
.XX ±		INCH		Sheet 1 of 2	SCALE 1:14
.XXX ±					
<<DEG>> ±					
CONFIDENTIAL DISCLOSURE					
This drawing is the property of POWEREX, INC. of the SCOTT FELTZER COMPANY and subject to return on demand. Its contents are confidential and must not be copied or submitted to outside parties for use or examination.					
DRAWN BY		CHECKED BY		APPROVED BY	
JBE		AEK		JA CT	
2/23/15		2/23/15		2/23/15 2/23/15	
MATERIAL N/A					
PART NAME					
20HP 240 GAL MED					
BASIC TRI SCROLL					
DWG NO				SIZE	
MST20B6				D	

REV	ZONE	REVISION	DATE	ECN	NAME	CHKD
B-1	ALL	RELEASE FOR PRODUCTION	2/23/15	PXEC005	JBE	AEK
C-1	ALL	CORRECTED WAVE 1 ERRORS	1/7/16	PXEC0139	AEK	GES
D-1	2 ALL 1 ALL	UPDATED SEPARATOR DRAIN NOTES ADDED OUTLINE FOR RECOMMENDED CLEARANCES	01/21/17	PXEC0167	MJD	GES

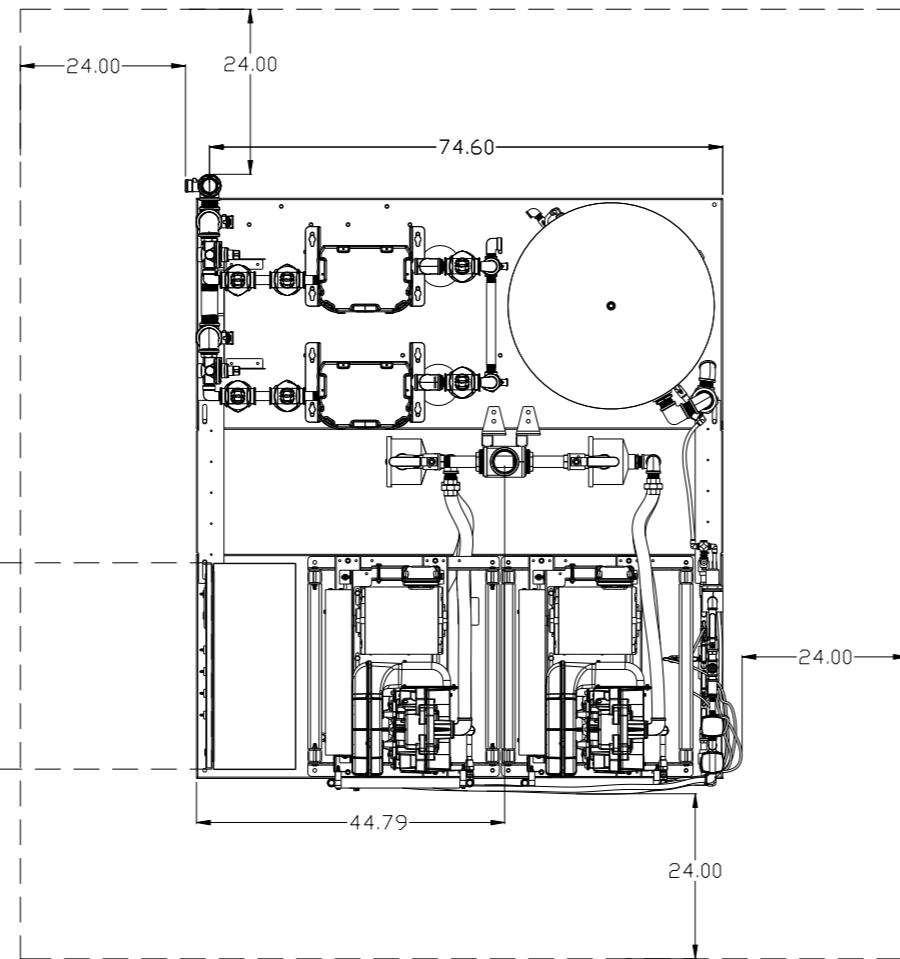


	RELIEF VALVE		PRESSURE SWITCH
	INTAKE FILTER		REGULATOR
	AIR FILTER		SEPARATOR
	3 WAY VALVE		CHECK VALVE
	CARBON FILTER		FLEX LINE
	BALL VALVE		HIGH TEMP SWITCH
			UNION

- NOTES:
- 1) IF LAG 2 COMPRESSOR IS ENERGIZED ALARM WILL OCCUR.
 - 2) PIPING TO THE INLET BY OTHERS AND TO BE PER NFPA99 4-3.1.1.9(b)
 - 3) INSTRUMENTS DOWN STREAM OF SOURCE VALVE TO BE SUPPLIED BY OTHERS.
 - 4) MINIMUM RECOMMENDED INLET PIPE SIZE IS 3"

SYMBOL LEGEND		= ADDITIONAL CONTROL REQ'D		Drawings to conform to the current revision of the following ANSI standards	
= MINUS DRAFT		= BRINELL HARDNESS		Y14.3 Multi and sectional view dgs. Y14.3M Dimensioning and tolerancing	
TOLERANCES NOT SPECIFIED		AUTOCAD REL2008 LT		DO NOT SCALE DRAWING FOR DIMENSIONS	
.XX ±		INCH		Sheet 2 of 2	
.XXX ±				SCALE 1:14	
<< DEG >> ±					
CONFIDENTIAL DISCLOSURE This drawing is the property of POWEREX, INC. of the SCOTT FETZER COMPANY and subject to return on demand. Its contents are confidential and must not be copied or submitted to outside parties for use or examination.					
DRAWN BY		CHECKED BY		APPROVED BY	
JBE		AEK		JA CT	
2/23/15		2/23/15		2/23/15 2/23/15	
MATERIAL N/A					
PART NAME MED SCROLL TRI FLOW SCHEMATIC					
DWG NO MST20B6				SIZE D	

REV	ZONE	REVISION	DATE	ECN	NAME	CHKD
B-1	ALL	RELEASE TO PRODUCTION	2/23/15	PXEC0057	JBE	AEK
C-1	ALL	CORRECTED WAVE 1 ERRORS	1/7/16	PXEC0139	AEK	GES
2	ALL	UPDATED SEPARATOR DRAIN NOTES	01/21/17	PXEC0167	MJD	GES
1	ALL	ADDED OUTLINE FOR RECOMMENDED CLEARANCES				



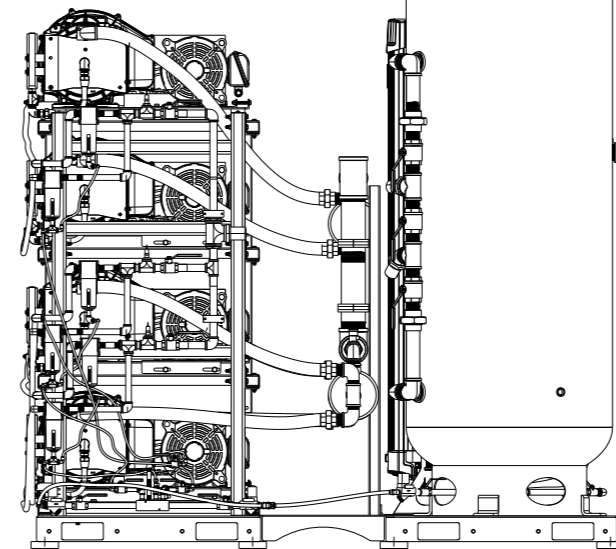
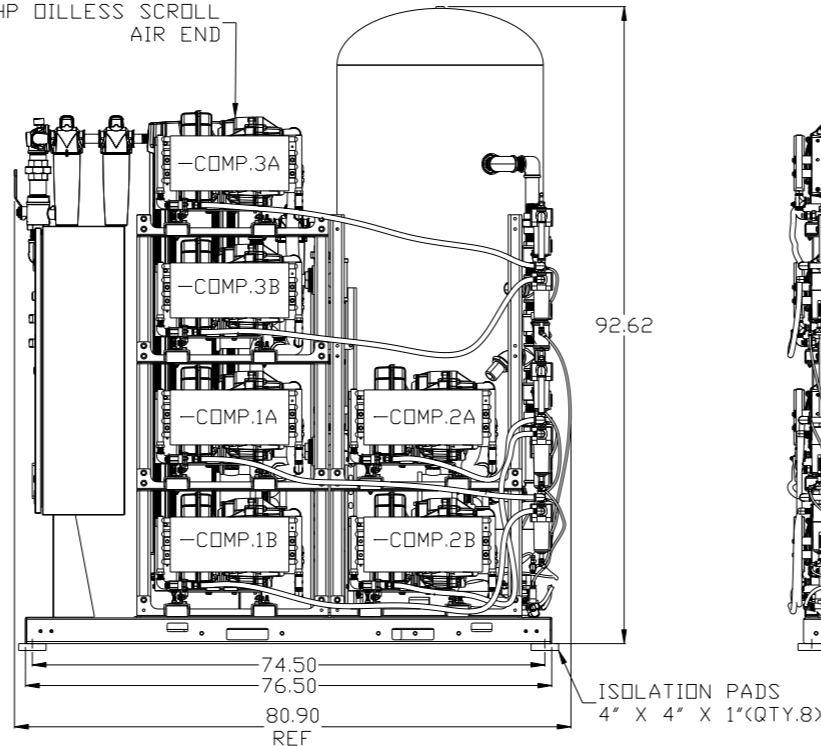
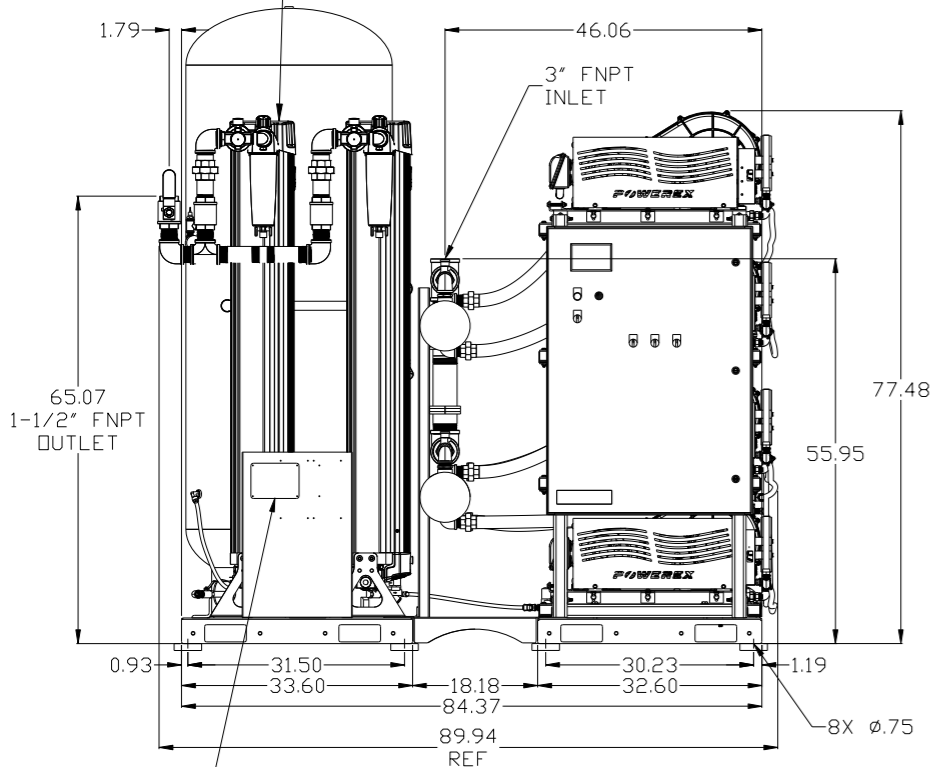
MINIMUM RECOMMENDED ELECTRICAL PANEL CLEARANCE PER OSHA/NEC REQUIREMENTS

MINIMUM RECOMMENDED MAINTENANCE CLEARANCE

2X DESICCANT DRYER W/ CARBON MONOXIDE MONITOR, PRE-FILTER, AFTER-FILTER, & CARBON FILTER (OPTIONAL).

240 GALLON ASME AIR RECEIVER INTERNALLY LINED

3X 20HP OILLESS SCROLL AIR END



NOTE: SYSTEM DESIGNED IN COMPLIANCE WITH US NFPA'99, LATEST EDITION.

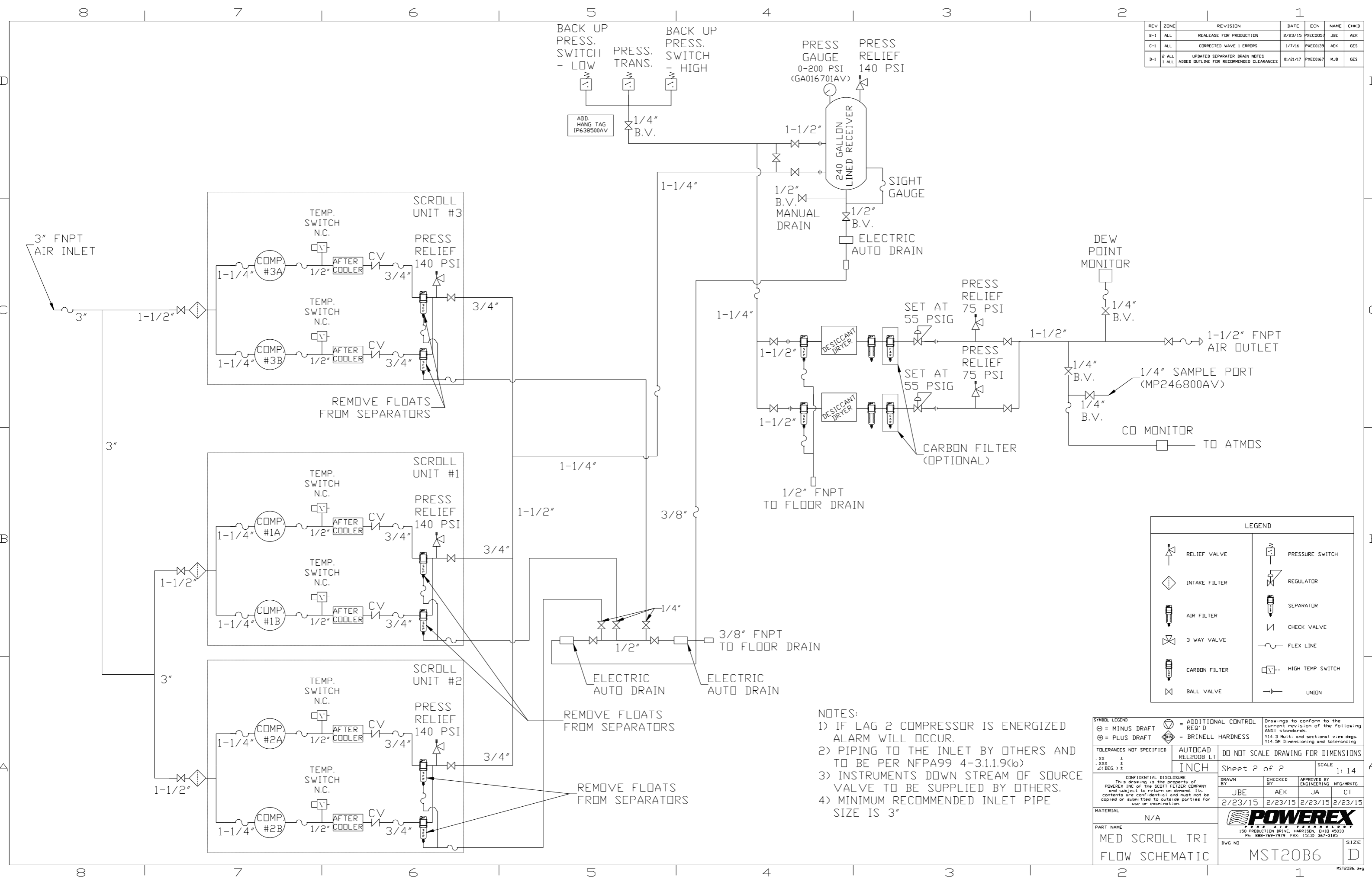
SYMBOL LEGEND	⊖ = MINUS DRAFT	⊕ = PLUS DRAFT	⊕ = ADDITIONAL CONTROL REQ'D	⊕ = BRINELL HARDNESS	Drawings to conform to the current revision of the following ANSI standards: Y14.3 Multi and sectional view dsgs. Y14.5M Dimensioning and tolerancing
---------------	-----------------	----------------	------------------------------	----------------------	---

TOLERANCES NOT SPECIFIED	AUTOCAD REL2008 LT	DO NOT SCALE DRAWING FOR DIMENSIONS
.XX ±	INCH	Sheet 1 of 2
.XXX ±		SCALE 1:14
<DEG> ±		

CONFIDENTIAL DISCLOSURE This drawing is the property of POWEREX, INC. of the SCOTT FELTZER COMPANY and subject to return on demand. Its contents are confidential and must not be copied or submitted to outside parties for use or examination.	DRAWN BY JBE	CHECKED BY AEK	APPROVED BY ENGINEERING MFG/MKTG JA CT
	2/23/15	2/23/15	2/23/15 2/23/15

MATERIAL N/A	 150 PRODUCTION DRIVE, HARRISON, OHIO 45030 Ph 888-769-7979 FAX (513) 367-3125
PART NAME 20HP 240 GAL MED PXMI TRI SCROLL	
DWG NO MST20B6	SIZE D

REV	ZONE	REVISION	DATE	ECN	NAME	CHKD
B-1	ALL	RELEASE FOR PRODUCTION	2/23/15	PXEC0057	JBE	AEK
C-1	ALL	CORRECTED WAVE 1 ERRORS	1/7/16	PXEC0139	AEK	GES
D-1	2 ALL	UPDATED SEPARATOR DRAIN NOTES	01/21/17	PXEC0167	MJD	GES
	1 ALL	ADDED OUTLINE FOR RECOMMENDED CLEARANCES				



LEGEND	
	RELIEF VALVE
	INTAKE FILTER
	AIR FILTER
	3 WAY VALVE
	CARBON FILTER
	BALL VALVE
	PRESSURE SWITCH
	REGULATOR
	SEPARATOR
	CHECK VALVE
	FLEX LINE
	HIGH TEMP SWITCH
	UNION

- NOTES:
- 1) IF LAG 2 COMPRESSOR IS ENERGIZED ALARM WILL OCCUR.
 - 2) PIPING TO THE INLET BY OTHERS AND TO BE PER NFPA99 4-3.1.1.9(b)
 - 3) INSTRUMENTS DOWN STREAM OF SOURCE VALVE TO BE SUPPLIED BY OTHERS.
 - 4) MINIMUM RECOMMENDED INLET PIPE SIZE IS 3"

SYMBOL LEGEND			ADDITIONAL CONTROL REQ'D	Drawings to conform to the current revision of the following ANSI standards	
	MINUS DRAFT		BRINELL HARDNESS	Y14.3 Multi and sectional view dsgs. Y14.3M Dimensioning and tolerancing	
TOLERANCES NOT SPECIFIED		AUTOCAD	REL2008 LT	DO NOT SCALE DRAWING FOR DIMENSIONS	
.XX ±		INCH		Sheet 2 of 2	SCALE 1:14
.XXX ±					
<<DEG>> ±					
CONFIDENTIAL DISCLOSURE This drawing is the property of POWEREX, INC. of the SCOTT FETZER COMPANY and subject to return on demand. Its contents are confidential and must not be copied or submitted to outside parties for use or examination.					
DRAWN BY		CHECKED BY	APPROVED BY	ENGINEERING MFG/MKTG	
JBE		AEK	JA	CT	
2/23/15		2/23/15	2/23/15	2/23/15	
MATERIAL		N/A			
PART NAME		MED SCROLL TRI		DWG NO	
FLOW SCHEMATIC				MST20B6	
				SIZE D	