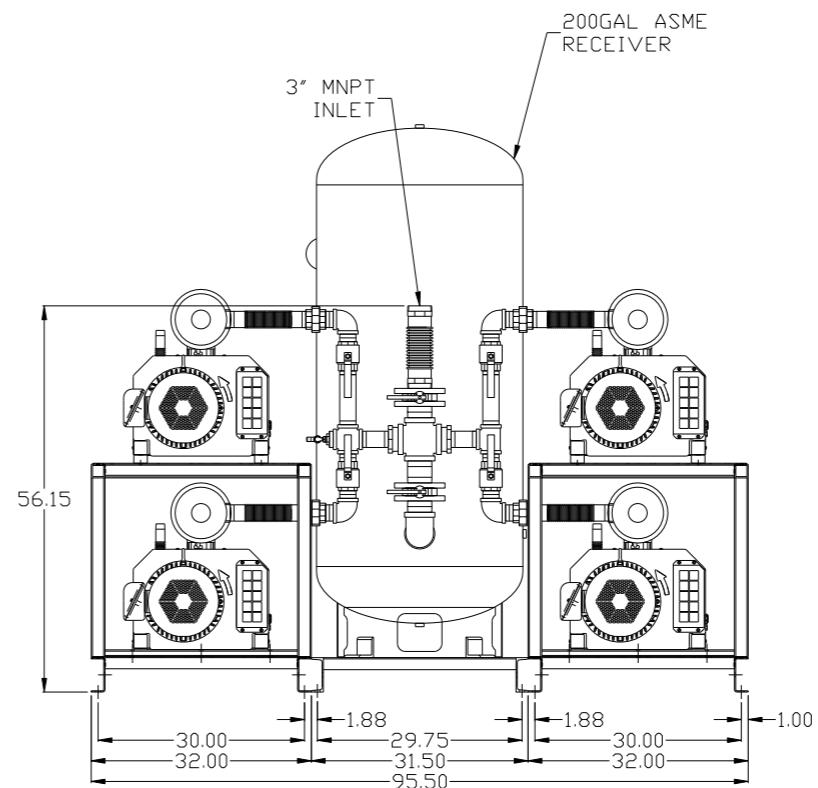
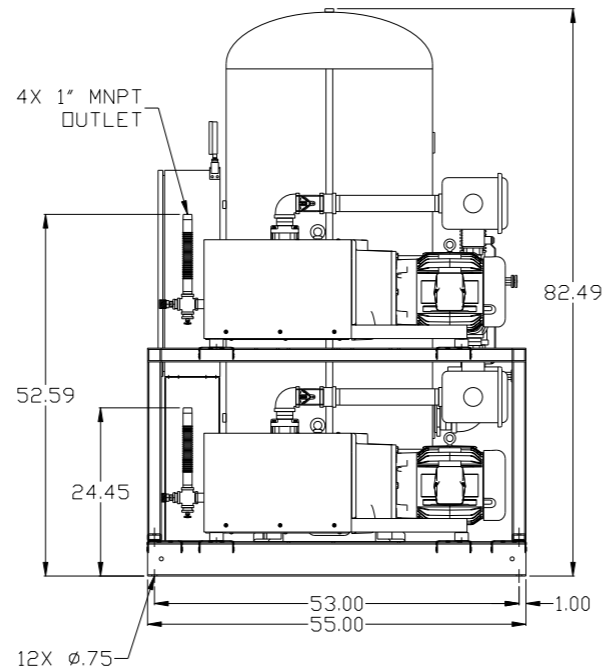
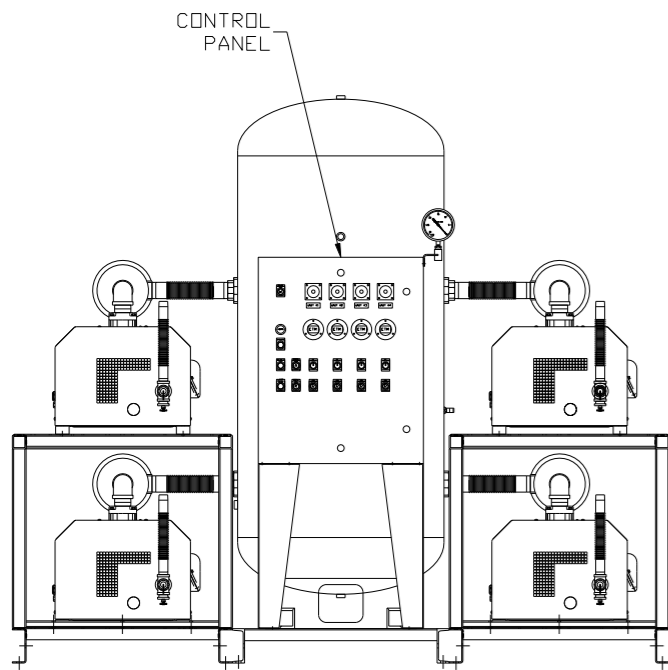
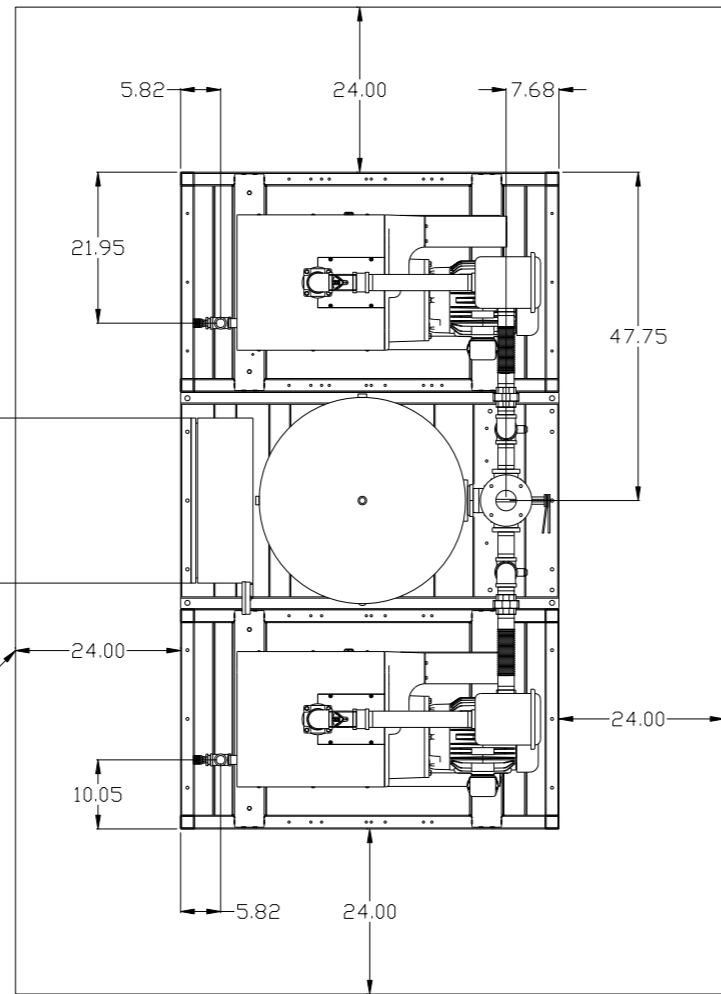


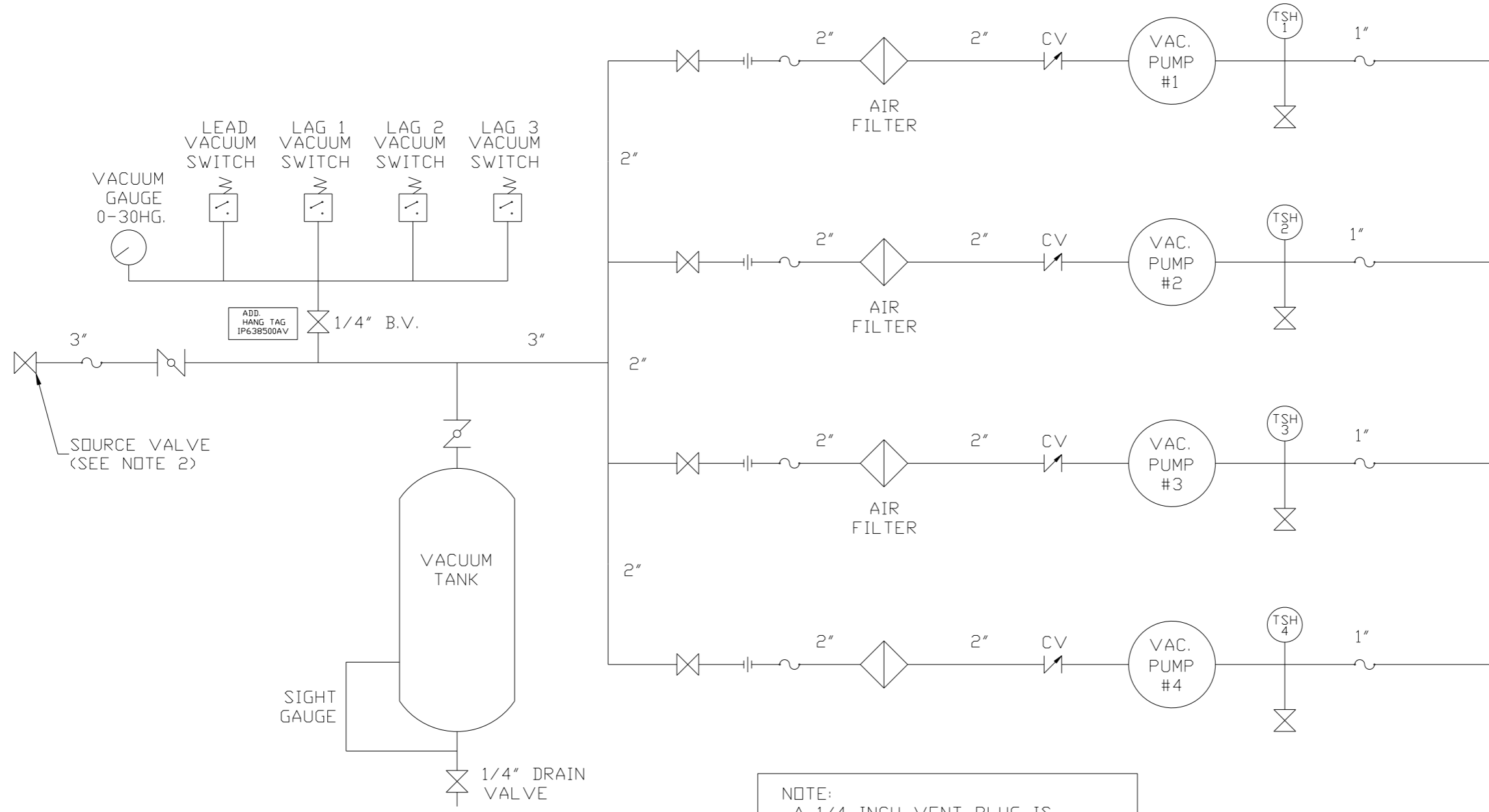
REV	ZONE	REVISION	DATE	ECN	NAME	CHKD
B-1	ALL	RELEASE TO PRODUCTION	2/28/08	21881	AEK	GES
B-2	ALL	ADDED PIPE SIZES TO FLOW SCHEMATIC CORRECTED LAYOUT PLUMBING	3/28/08	21881	AEK	GES
B-3	2 86 1 ALL	REMOVED SIGHT GAUGE FROM FLOW REPLACED TOP FRAMES WITH SHORT TOP FRAMES ON LAYOUT	4/16/08	21881	AEK	GES
C-1	1 ALL	REMOVED VACUUM SWITCHES FROM CONTROL PANEL	11/18/09	22127	AEK	GES
D-1	2 ALL 2 86 ALL	ADDED SOURCE VALVE INFORMATION MADE HIGH TEMP STANDARD ON BASIC CONTROLS ADDED SIGHT GAUGE CHANGED BALL VALVE/UNION TO BUTTERFLY VALVE ADDED P&ID SHEETS	12/15/15	PXEC0093	AEK	GES
E-1	1 ALL	UPDATED TO PUMP WITH NEMA RATED MOTOR	9/23/16	PXEC0149	AEK	GES



NOTE: SYSTEM DESIGNED IN COMPLIANCE WITH U.S. NFPA '99, LATEST EDITION.

SYMBOL LEGEND ⊖ = MINUS DRAFT ⊕ = PLUS DRAFT <small>.XX ± .XXX ± ∠(DEG) ±</small>		= ADDITIONAL CONTROL REQ'D = BRINELL HARDNESS		<small>Drawings to conform to the current revision of the following ANSI standards: Y14.3 Multi and sectional view dsgs. Y14.5M Dimensioning and tolerancing</small>
<small>TOLERANCES NOT SPECIFIED</small>		AUTOCAD REL2008 LT INCH		DO NOT SCALE DRAWING FOR DIMENSIONS
<small>CONFIDENTIAL DISCLOSURE</small> <small>This drawing is the property of POWEREX, INC. of the SCOTT FEITZER COMPANY and subject to return on demand. Its contents are confidential and must not be copied or submitted to outside parties for use or examination.</small>		DRAWN BY AEK	CHECKED BY GES	APPROVED BY ENGINEERING MFG/MKTG DMS RJR
MATERIAL N/A		2/28/08	2/28/08	2/28/08 2/28/08
PART NAME 7.5HP CLAW VACUUM 200GAL QUADPLEX		 <small>150 PRODUCTION DRIVE, HARRISON, OHIO 45030 Ph: 888-769-7979 FAX: (513) 367-3125</small>		SCALE Sheet 1 of 2 1:14
DWG NO CVPQ0755A		SIZE D		<small>CVPQ0755AB.dwg</small>

REV	ZONE	REVISION	DATE	ECN	NAME	CHKD
B-1	ALL	RELEASE TO PRODUCTION	2/28/08	21881	AEK	GES
B-2	ALL	ADDED PIPE SIZES TO FLOW SCHEMATIC CORRECTED LAYOUT PLUMBING	3/28/08	21881	AEK	GES
B-3	2 B6 1 ALL	REMOVED SIGHT GAUGE FROM FLOW REPLACED TOP FRAMES WITH SHORT TOP FRAMES ON LAYOUT	4/16/08	21881	AEK	GES
C-1	1 ALL	REMOVED VACUUM SWITCHES FROM CONTROL PANEL	11/18/09	22127	AEK	GES
D-1	2 ALL 2 B6 ALL	ADDED SOURCE VALVE INFORMATION MADE HIGH TEMP STANDARD ON BASIC CONTROLS ADDED SIGHT GAUGE CHANGED BALL VALVE/UNION TO BUTTERFLY VALVE ADDED P&ID SHEETS	12/15/15	PXEC0093	AEK	GES
E-1	1 ALL	UPDATED TO PUMP WITH NEMA RATED MOTOR	9/23/16	PXEC0149	AEK	GES



NOTE:
A 1/4 INCH VENT PLUG IS LOCATED IN THE FILTER HOUSING.

NOTES:
1) TSH - TEMPERATURE SWITCH HIGH
2) PER NFPA THE SYSTEM WILL REQUIRE A SOURCE VALVE (SUPPLIED BY OTHERS).

LEGEND	
	TEMP. SWITCH
	VACUUM SWITCH
	AIR FILTER
	BALL VALVE
	BUTTERFLY VALVE
	CHECK VALVE
	FLEX LINE
	UNION

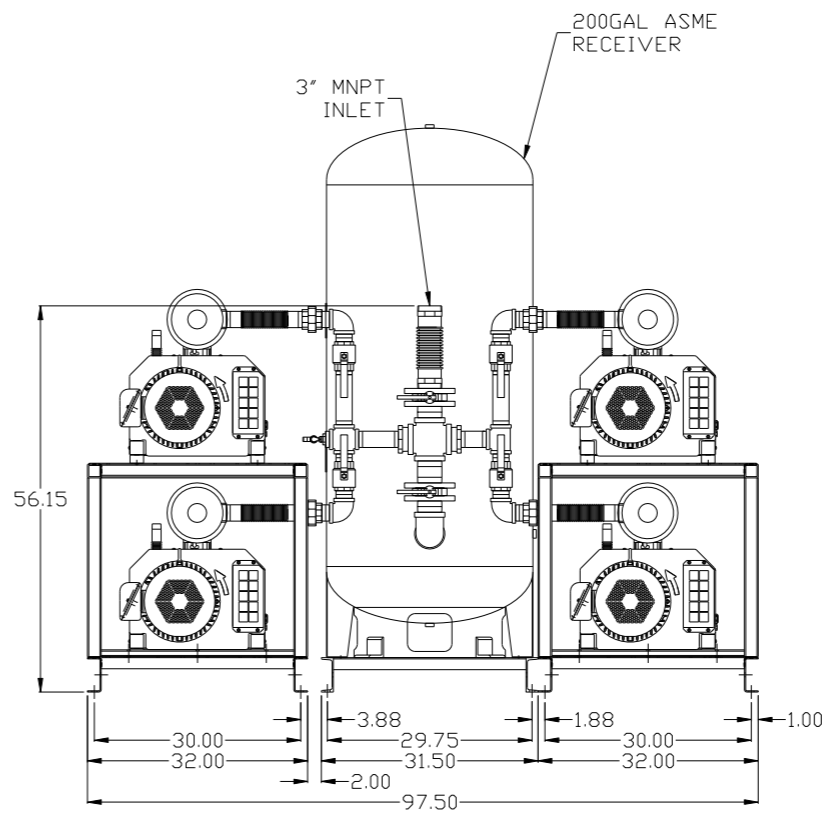
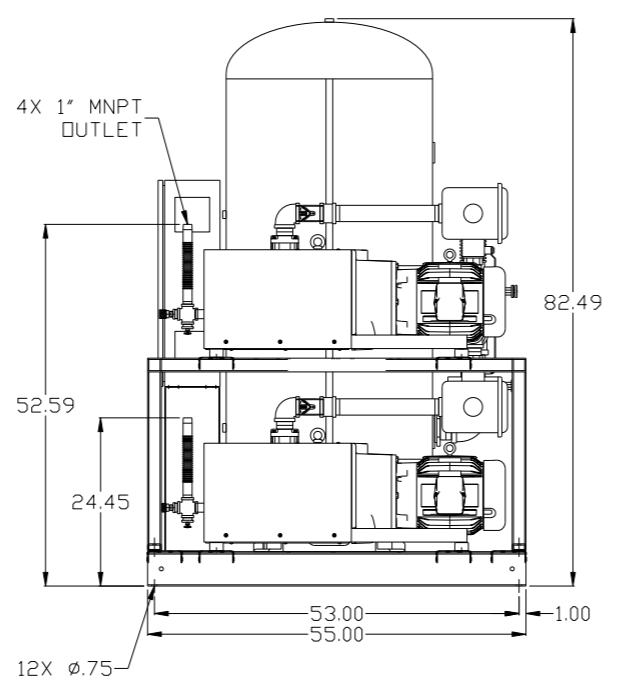
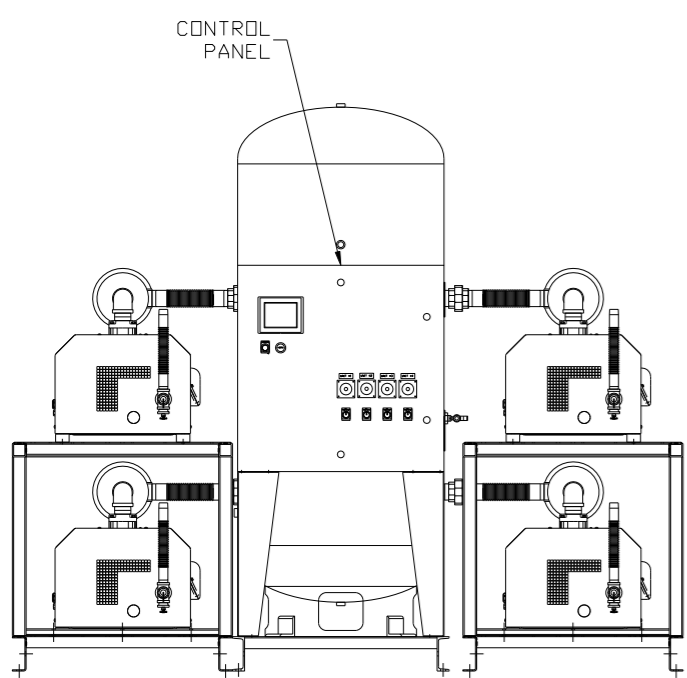
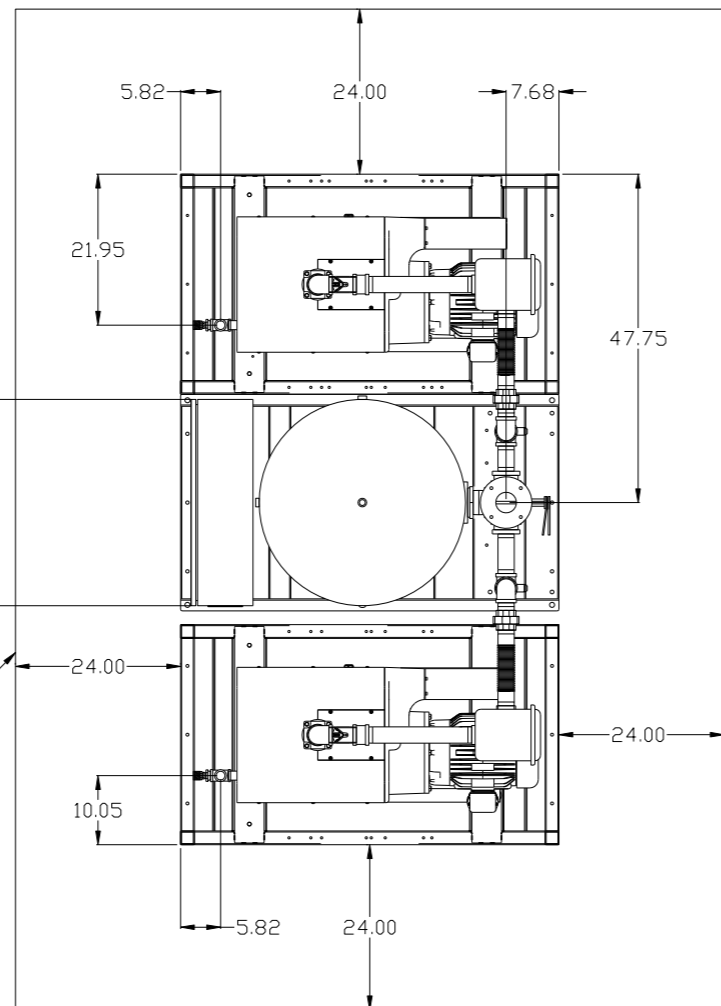
SYMBOL LEGEND			ADDITIONAL CONTROL REQ'D	Drawings to conform to the current revision of the following ANSI standards
	MINUS DRAFT		BRINELL HARDNESS	Y14.3 Multi and sectional view dsgs. Y14.5M Dimensioning and tolerancing
TOLERANCES NOT SPECIFIED		AUTOCAD REL2008 LT	DO NOT SCALE DRAWING FOR DIMENSIONS	
.XX ±	.XXX ±	INCH	Sheet 2 of 2	SCALE 1:14
CONFIDENTIAL DISCLOSURE This drawing is the property of POWEREX, INC. or the SCOTT FETZER COMPANY and subject to return on demand. Its contents are confidential and must not be copied or submitted to outside parties for use or examination.				
DRAWN BY	CHECKED BY	ENGINEERING	MFG/MKTG	APPROVED BY
AEK	GES	DMS	RJR	
2/28/08	2/28/08	2/28/08	2/28/08	
MATERIAL		N/A		
PART NAME		QUAD VAC PACKAGE		
FLOW SCHEMATIC		CVPQ0755A		
SIZE		D		

8 7 6 5 4 3 2 1

REV	ZONE	REVISION	DATE	ECN	NAME	CHKD
2	ALL	ADDED SOURCE VALVE INFORMATION				
1	ALL	MADE HIGH TEMP STANDARD ON BASIC CONTROLS				
D-1	2 BG	ADDED SIGHT GAUGE	12/15/15	PXEC0093	AEK	GES
	ALL	CHANGED BALL VALVE/UNION TO BUTTERFLY VALVE				
	ALL	ADDED P&ID SHEETS				
E-1	1 ALL	UPDATED TO PUMP WITH NEMA RATED MOTOR	9/23/16	PXEC0149	AEK	GES

MINIMUM RECOMMENDED ELECTRICAL PANEL CLEARANCE PER OSHA/NEC REQUIREMENTS

MINIMUM RECOMMENDED MAINTENANCE CLEARANCE

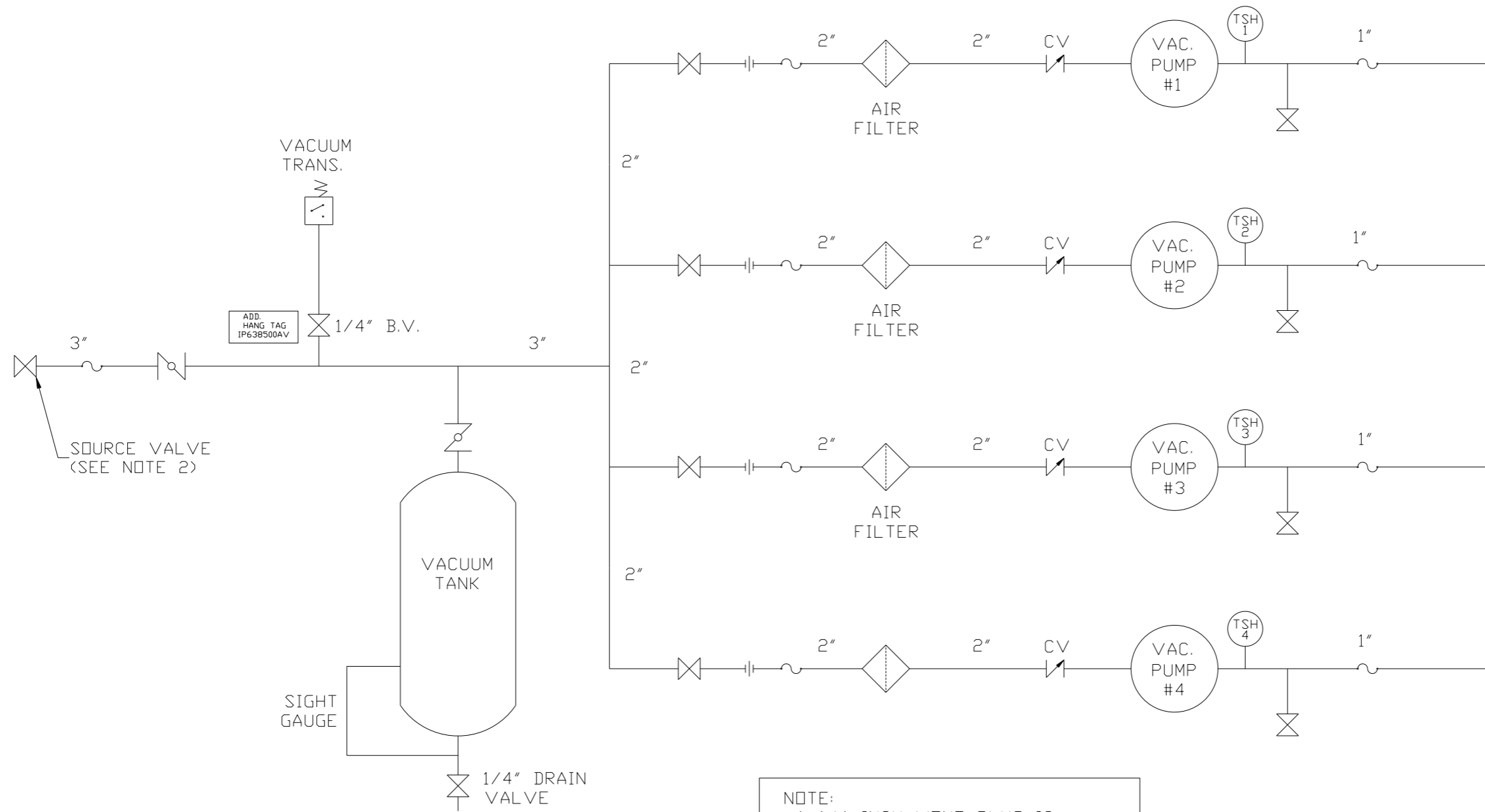


NOTE: SYSTEM DESIGNED IN COMPLIANCE WITH U.S. NFPA '99, LATEST EDITION.

SYMBOL LEGEND ⊖ = MINUS DRAFT ⊕ = PLUS DRAFT Ⓢ = ADDITIONAL CONTROL REQ'D Ⓜ = BRINELL HARDNESS		Drawings to conform to the current revision of the following ANSI standards: Y14.3 Multi and sectional view dsgs. Y14.5M Dimensioning and tolerancing	
TOLERANCES NOT SPECIFIED .XX ± .XXX ± \angle (DEG) ±		AUTOCAD REL2014 LT INCH DO NOT SCALE DRAWING FOR DIMENSIONS Sheet 1 of 2 SCALE 1:14	
CONFIDENTIAL DISCLOSURE This drawing is the property of POWEREX, INC. of the SCOTT FEITZER COMPANY and subject to return on demand. Its contents are confidential and must not be copied or submitted to outside parties for use or examination.			
MATERIAL N/A		POWEREX 150 PRODUCTION DRIVE, HARRISON, OHIO 45030 Ph 888-769-7979 FAX (513) 367-3125	
PART NAME 7.5HP CLAW VACUUM 200GAL QUADPLEX		DWG NO CVPQ0755A SIZE D	

8 7 6 5 4 3 2 1

REV	ZONE	REVISION	DATE	ECN	NAME	CHKD
2	ALL	ADDED SOURCE VALVE INFORMATION				
D-1	ALL	MADE HIGH TEMP STANDARD ON BASIC CONTROLS	12/15/15	PXEC0093	AEK	GES
		ADDED SIGHT GAUGE				
		CHANGED BALL VALVE/UNION TO BUTTERFLY VALVE				
		ADDED P&ID SHEETS				
E-1	ALL	UPDATED TO PUMP WITH NEMA RATED MOTOR	9/23/16	PXEC0149	AEK	GES



NOTE:
A 1/4 INCH VENT PLUG IS
LOCATED IN THE FILTER HOUSING.

LEGEND	
TEMP. SWITCH	VACUUM SWITCH
AIR FILTER	CHECK VALVE
BALL VALVE	FLEX LINE
BUTTERFLY VALVE	UNION

NOTES:
1) TSH - TEMPERATURE SWITCH HIGH
2) PER NFPA THE SYSTEM WILL REQUIRE A SOURCE VALVE (SUPPLIED BY OTHERS).

SYMBOL LEGEND		= ADDITIONAL CONTROL REQ'D	Drawings to conform to the current revision of the following ANSI standards:	
= MINUS DRAFT	= PLUS DRAFT	= BRINELL HARDNESS	Y14.3 Multi and sectional view dsgs. Y14.5M Dimensioning and tolerancing	
TOLERANCES NOT SPECIFIED	AUTOCAD REL2014 LT	DO NOT SCALE DRAWING FOR DIMENSIONS		
.XX ±	INCH	Sheet 2 of 2	SCALE 1:14	
CONFIDENTIAL DISCLOSURE This drawing is the property of POWEREX, INC. of the SCOTT FETZER COMPANY and subject to return on demand. Its contents are confidential and must not be copied or submitted to outside parties for use or examination.		DRAWN BY AEK	CHECKED BY GES	APPROVED BY ENGINEERING MFG/MKTG KMD RJR
MATERIAL N/A		12/15/15	12/15/15	
PART NAME QUAD VAC PACKAGE				
FLOW SCHEMATIC		DWG NO CVPQ0755A	SIZE D	