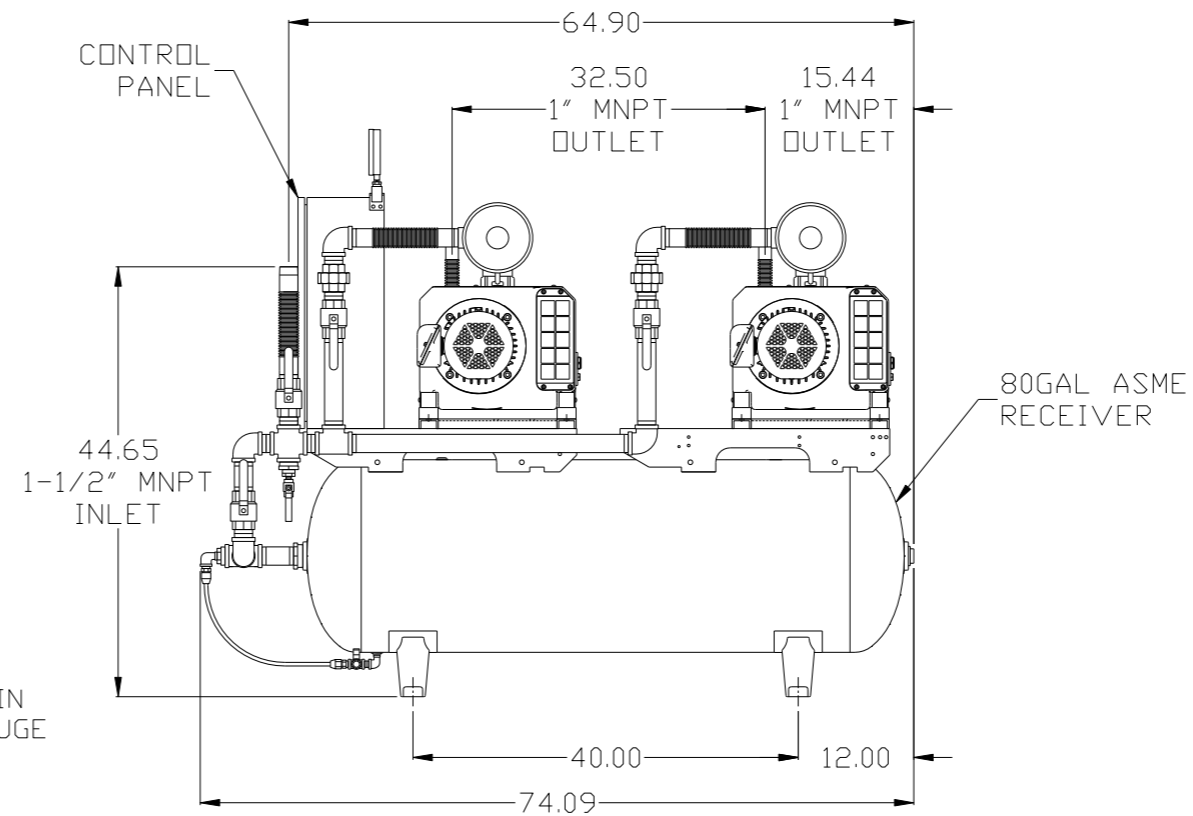
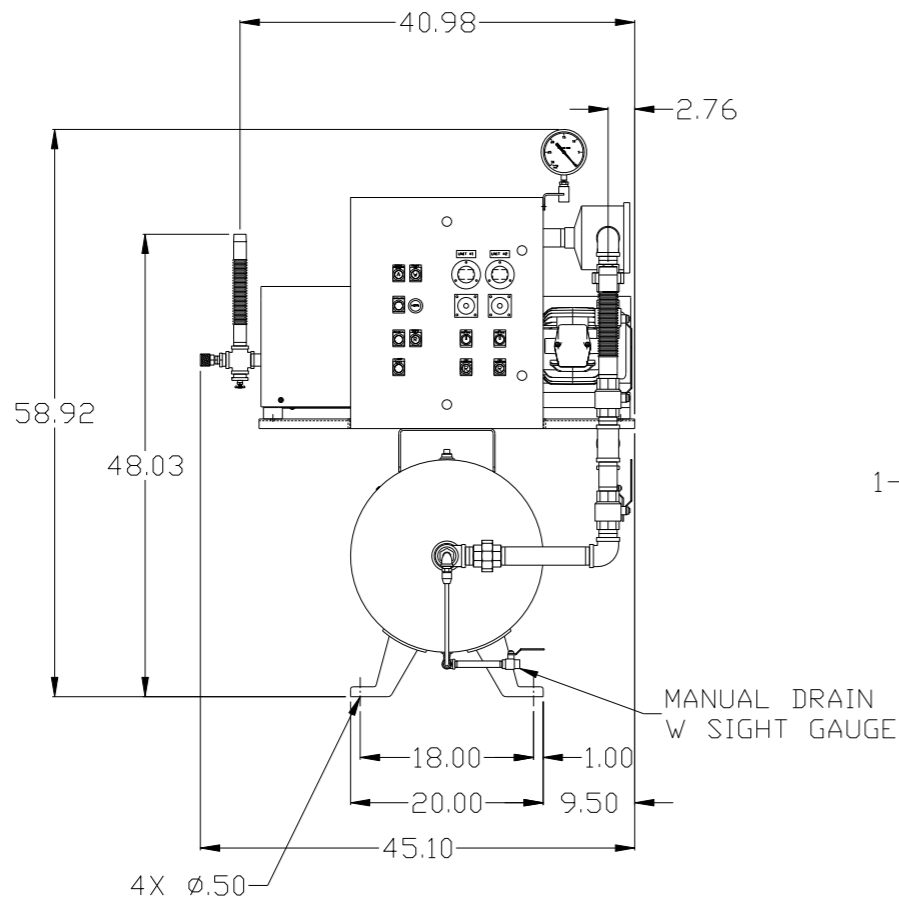
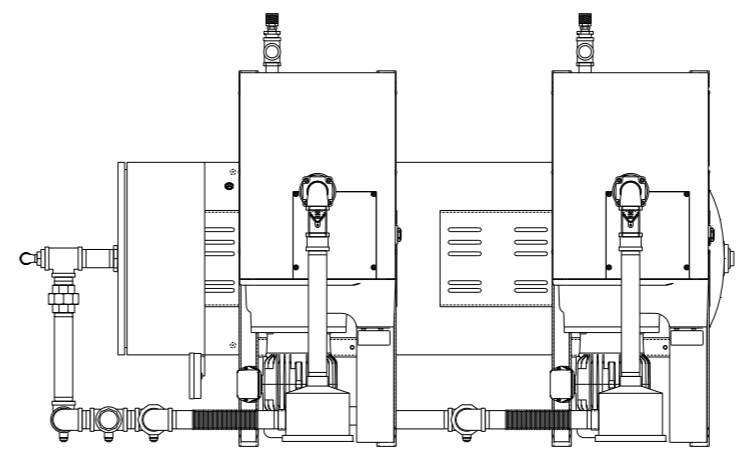


8 7 6 5 4 3 2 1

REV	ZONE	REVISION	DATE	ECN	NAME	CHKD
B-1	ALL	RELEASE TO PRODUCTION	1/29/08	21906	AEK	DMS
C-1	2 ALL	ADDED OPTIONAL HI TEMP SWITCH AND NOTE	2/28/08	21881	AEK	GES
C-2	ALL	ADDED PIPE SIZE TO FLOW, MOVED GAUGE TO PANEL	3/26/08	21881	AEK	GES
D-1	ALL	REDREW LAYOUT PER 8/20 ENGINEERING MEETING	9/5/08	21907	AEK	DMS
D-2	1 ALL	ADJUSTED SYSTEM INLET LOCATION	12/30/08	21907	AEK	DMS
E-1	1 ALL	ADJUSTED SYSTEM INLET LOCATION PER NEC	7/31/09	22127	AEK	GES
F-1	1 ALL	RELOCATED PANEL & INLET PLUMBING	10/2/09	22303	AEK	GES
G-1	1 ALL	REMOVED VACUUM SWITCHES FROM CONTROL PANEL	11/2/09	22127	AEK	GES
H-1	2 C2	ADDED DRIP LEG	3/16/10	22348	AEK	DMS
J-1	ALL	ADDED P&ID SHEETS	12/19/11	22610	AEK	GES
K-1	2 ALL	ADDED SIGHT GAUGE ADDED SOURCE VALVE INFORMATION	10/29/12	22723	AEK	DMS
L-1	ALL	MADE HIGH TEMP STANDARD ON BASIC CONTROLS	3/11/14	PXEC0067	AEK	GES
M-1	ALL	ADDED TOP VIEW	10/22/15	PXEC0093	AEK	GES
N-1	1 ALL	UPDATED TO PUMP WITH NEMA RATED MOTOR	7/7/16	PXEC0149	AEK	DMS



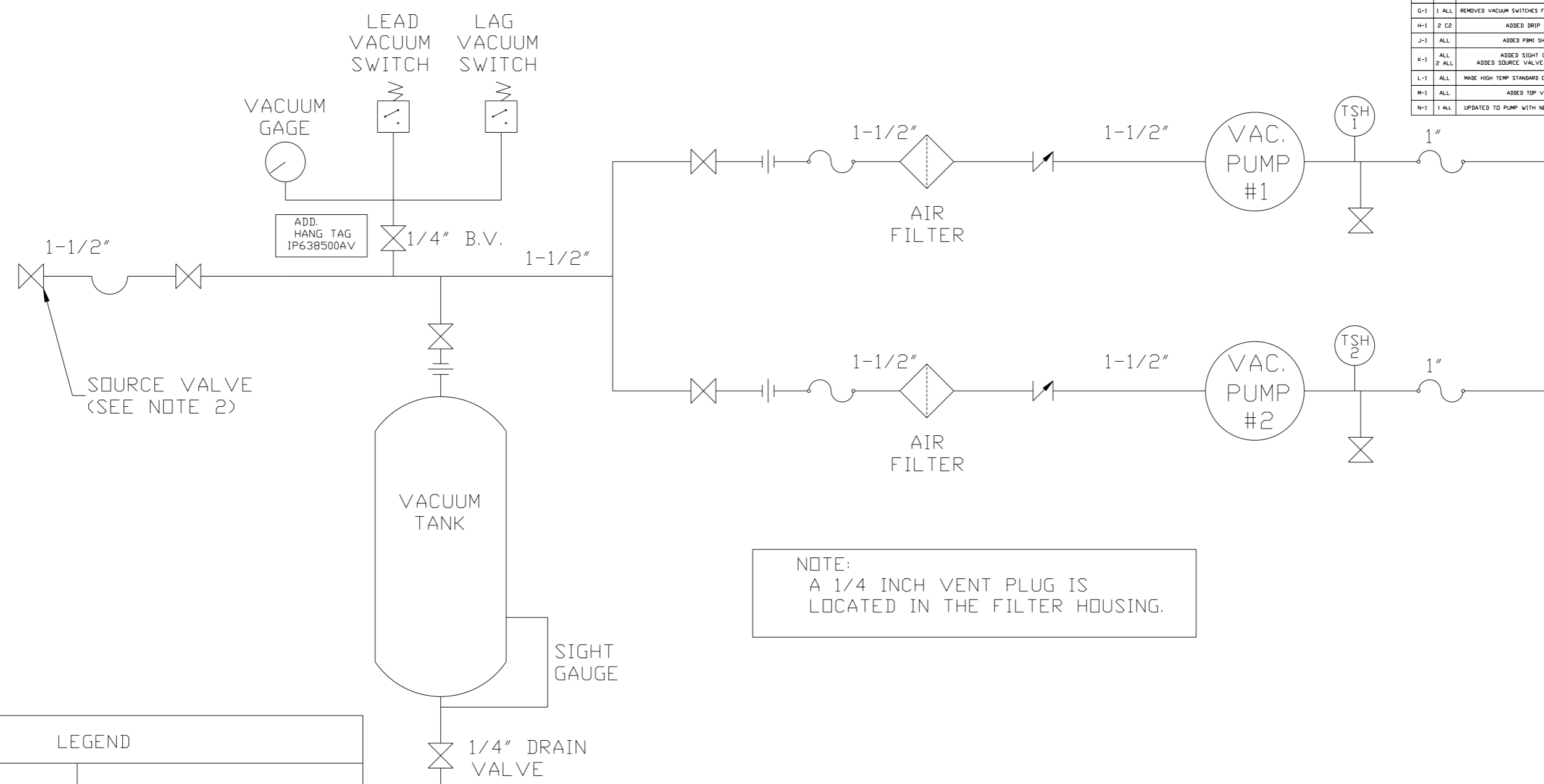
NOTE: SYSTEM DESIGNED IN COMPLIANCE WITH U.S. NFPA '99, LATEST EDITION.

NOTE: A MINIMUM OF 24" CLEARANCE IS RECOMMENDED AROUND THE ENTIRE UNIT.

SYMBOL LEGEND ⊖ = MINUS DRAFT ⊕ = PLUS DRAFT .XX ± .XXX ± << DEG >> ±		= ADDITIONAL CONTROL REQ'D = BRINELL HARDNESS		Drawings to conform to the current revision of the following ANSI standards: Y14.3 Multi and sectional view dgs. Y14.5M Dimensioning and tolerancing	
TOLERANCES NOT SPECIFIED .XX ± .XXX ± << DEG >> ±		AUTOCAD REL2008 LT INCH		DO NOT SCALE DRAWING FOR DIMENSIONS Sheet 1 of 2 SCALE 1:10	
CONFIDENTIAL DISCLOSURE This drawing is the property of POWEREX, INC. or the SCOTT FELTZER COMPANY and subject to return on demand. Its contents are confidential and must not be copied or submitted to outside parties for use or examination.					
DRAWN BY AEK		CHECKED BY DMS		APPROVED BY ENGINEERING MFG/MKTG DMS DG	
1/29/08		1/29/08		1/29/08 1/29/08	
MATERIAL N/A		 150 PRODUCTION DRIVE, HARRISON, OHIO 45030 Ph: 888-769-7979 FAX: (513) 367-3125			
PART NAME 2HP CLAW VAC 80G DUPLEX		DWG NO CVTD0203		SIZE D	

8 7 6 5 4 3 2 1

REV	ZONE	REVISION	DATE	ECN	NAME	CHKD
B-1	ALL	RELEASE TO PRODUCTION	1/29/08	21906	AEK	DMS
C-1	2	ADDED OPTIONAL HI TEMP SWITCH AND NOTE	2/28/08	21881	AEK	GES
C-2	ALL	ADDED PIPE SIZE TO FLOW, MOVED GAUGE TO PANEL	3/26/08	21881	AEK	GES
D-1	ALL	REDREW LAYOUT PER 8/20 ENGINEERING MEETING	9/5/08	21907	AEK	DMS
D-2	1	ADJUSTED SYSTEM INLET LOCATION	12/30/08	21907	AEK	DMS
E-1	1	ADJUSTED SYSTEM INLET LOCATION PER NEC	7/31/09	22127	AEK	GES
F-1	1	RELOCATED PANEL & INLET PLUMBING	10/2/09	22303	AEK	GES
G-1	1	REMOVED VACUUM SWITCHES FROM CONTROL PANEL	11/2/09	22127	AEK	GES
H-1	2	ADDED DRIP LEG	3/16/10	22348	AEK	DMS
J-1	ALL	ADDED P&ID SHEETS	12/19/11	22610	AEK	GES
K-1	ALL	ADDED SIGHT GAUGE	10/29/12	22723	AEK	DMS
L-1	ALL	MADE HIGH TEMP STANDARD ON BASIC CONTROLS	3/11/14	PXEC0067	AEK	GES
M-1	ALL	ADDED TOP VIEW	10/22/15	PXEC0093	AEK	GES
N-1	1	UPDATED TO PUMP WITH NEMA RATED MOTOR	7/7/16	PXEC0149	AEK	DMS



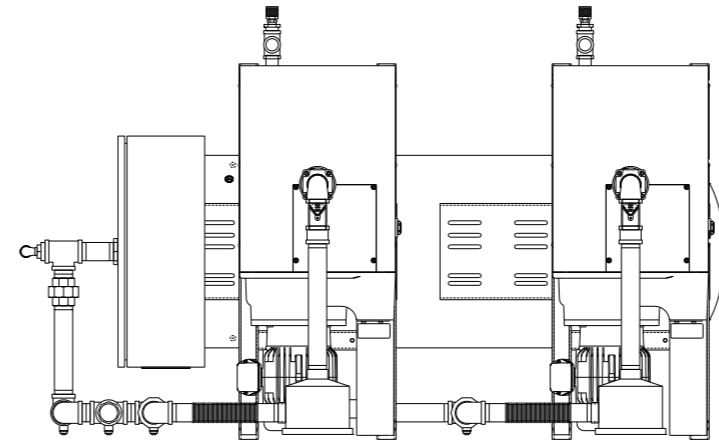
NOTE:
A 1/4 INCH VENT PLUG IS
LOCATED IN THE FILTER HOUSING.

LEGEND	
	TEMP. SWITCH
	AIR FILTER
	BALL VALVE
	VACUUM SWITCH
	CHECK VALVE
	FLEX LINE
	UNION

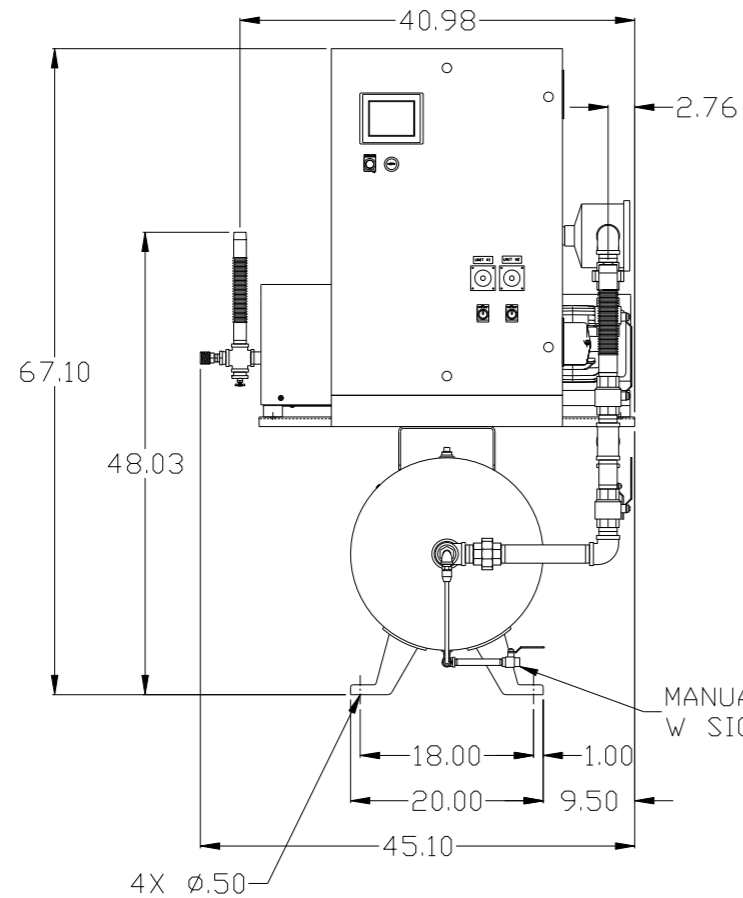
NOTES:
1) TSH - TEMPERATURE SWITCH HIGH
2) PER NFPA THE SYSTEM WILL REQUIRE A SOURCE VALVE (SUPPLIED BY OTHERS).

SYMBOL LEGEND			ADDITIONAL CONTROL REQ'D	Drawings to conform to the current revision of the following ANSI standards:	
	MINUS DRAFT		BRINELL HARDNESS	Y14.3 Multi and sectional view dsgs. Y14.5M Dimensioning and tolerancing	
TOLERANCES NOT SPECIFIED		AUTOCAD REL2008 LT		DO NOT SCALE DRAWING FOR DIMENSIONS	
.XX ±	.XXX ±	INCH		Sheet 2 of 2	SCALE 1:10
CONFIDENTIAL DISCLOSURE This drawing is the property of POWEREX, INC. or the SCOTT FETZER COMPANY and subject to return on demand. Its contents are confidential and must not be copied or submitted to outside parties for use or examination.					
DRAWN BY	CHECKED BY	APPROVED BY	ENGINEERING	MFG/MKTG	
AEK	DMS	DMS	DG		
1/29/08	1/29/08	1/29/08	1/29/08		
MATERIAL		N/A			
PART NAME		CLAW DUPLEX VACUUM FLOW SCHEMATIC			
DWG NO		CVTD0203		SIZE D	

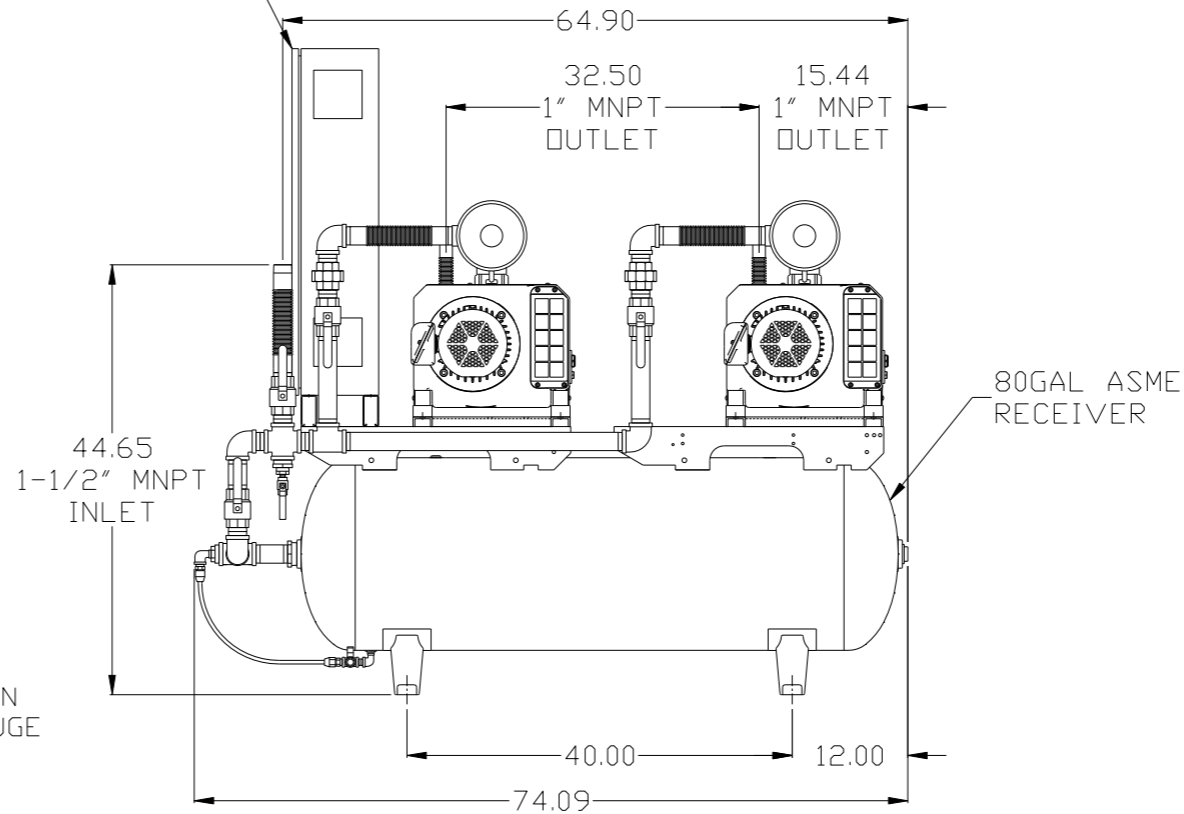
REV	ZONE	REVISION	DATE	ECN	NAME	CHKD
J-1	ALL	ADDED PBMI SHEETS	12/19/11	22610	AEK	GES
K-1	ALL	ADDED SIGHT GAUGE	10/29/12	22723	AEK	DMS
L-1	ALL	MADE HIGH TEMP STANDARD ON BASIC CONTROLS	3/11/14	PXEC0067	AEK	GES
M-1	ALL	ADDED TOP VIEW	10/22/15	PXEC0093	AEK	GES
N-1	1 ALL	UPDATED TO PUMP WITH NEMA RATED MOTOR	7/7/16	PXEC0149	AEK	DMS



PBMI CONTROL PANEL



MANUAL DRAIN W SIGHT GAUGE

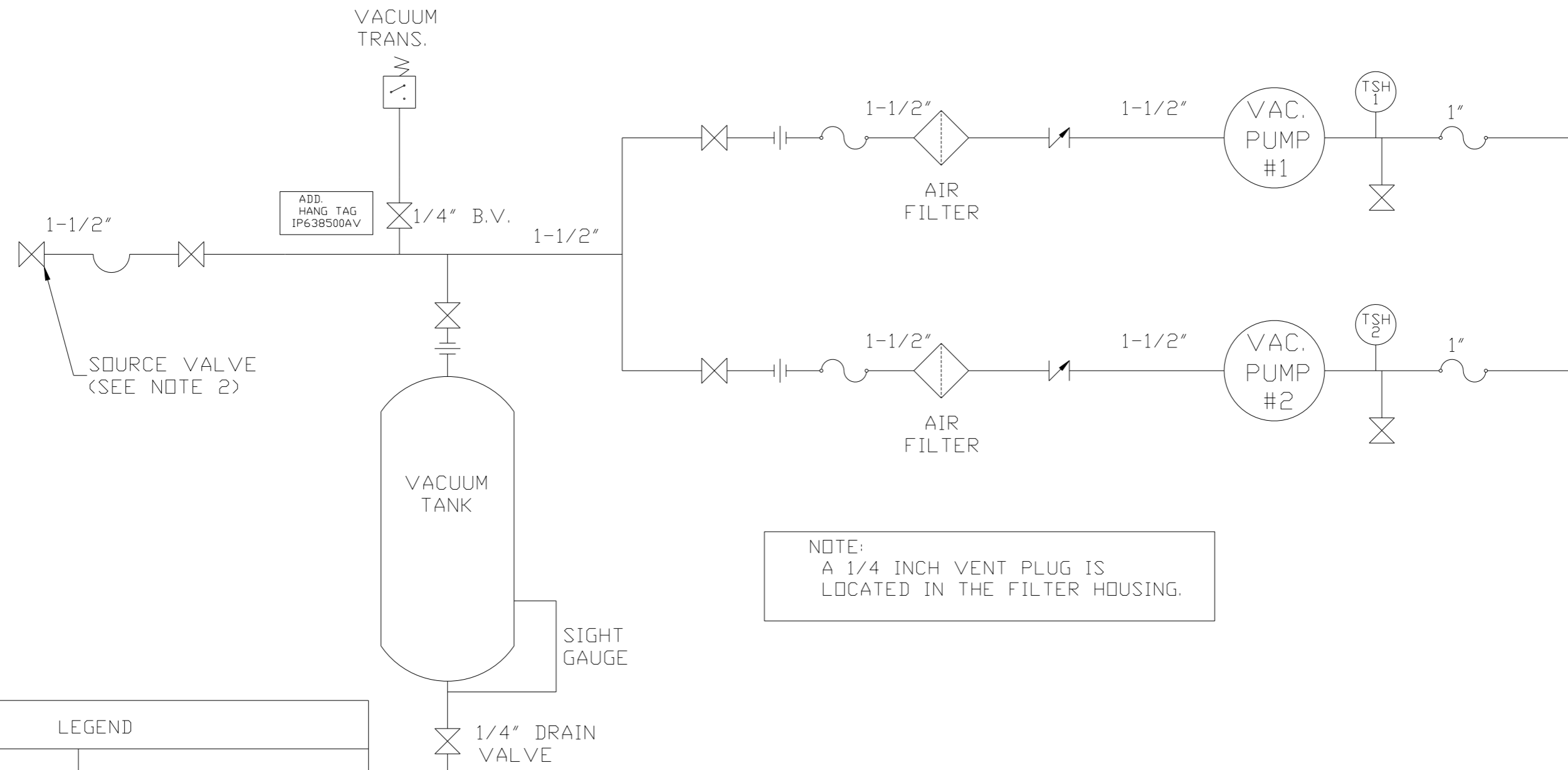


NOTE: SYSTEM DESIGNED IN COMPLIANCE WITH U.S. NFPA '99, LATEST EDITION.

NOTE: A MINIMUM OF 24" CLEARANCE IS RECOMMENDED AROUND THE ENTIRE UNIT.

SYMBOL LEGEND ⊖ = MINUS DRAFT ⊕ = PLUS DRAFT ∅ = ADDITIONAL CONTROL REQ'D HRC = BRINELL HARDNESS		Drawings to conform to the current revision of the following ANSI standards: Y14.3 Multi and sectional view dgs. Y14.5M Dimensioning and tolerancing	
TOLERANCES NOT SPECIFIED .XX ± .XXX ± << DEG >> ±		AUTOCAD REL2008 LT INCH DO NOT SCALE DRAWING FOR DIMENSIONS Sheet 1 of 2 SCALE 1:10	
CONFIDENTIAL DISCLOSURE This drawing is the property of POWEREX, INC. of the SCOTT FEITZER COMPANY and subject to return on demand. Its contents are confidential and must not be copied or submitted to outside parties for use or examination.			
DRAWN BY AEK		CHECKED BY GES	
12/19/11		12/19/11	
APPROVED BY DMS		APPROVED BY RJR	
12/19/11		12/19/11	
MATERIAL N/A			
PART NAME 2HP CLAW VAC 80G DUPLEX		 150 PRODUCTION DRIVE, HARRISON, OHIO 45030 Ph: 888-769-7979 FAX: (513) 367-3125	
DWG NO CVTD0203		SIZE D	

REV	ZONE	REVISION	DATE	ECN	NAME	CHKD
J-1	ALL	ADDED PBM1 SHEETS	12/19/11	22610	AEK	GES
K-1	ALL	ADDED SIGHT GAUGE	10/29/12	22723	AEK	DMS
L-1	ALL	MADE HIGH TEMP STANDARD ON BASIC CONTROLS	3/11/14	PXEC0067	AEK	GES
M-1	ALL	ADDED TOP VIEW	10/22/15	PXEC0093	AEK	GES
N-1	ALL	UPDATED TO PUMP WITH NEMA RATED MOTOR	7/7/16	PXEC0149	AEK	DMS



NOTE:
A 1/4 INCH VENT PLUG IS
LOCATED IN THE FILTER HOUSING.

LEGEND

	TEMP. SWITCH		VACUUM SWITCH
	AIR FILTER		CHECK VALVE
	BALL VALVE		FLEX LINE
			UNION

NOTES:
1) TSH - TEMPERATURE SWITCH HIGH
2) PER NFPA THE SYSTEM WILL REQUIRE A SOURCE VALVE (SUPPLIED BY OTHERS).

SYMBOL LEGEND			= ADDITIONAL CONTROL REQ'D		Drawings to conform to the current revision of the following ANSI standards	
⊖ = MINUS DRAFT			= BRINELL HARDNESS		Y14.3 Multi and sectional view dgs. Y14.5M Dimensioning and tolerancing	
⊕ = PLUS DRAFT				TOLERANCES NOT SPECIFIED		
.XX ±		AUTOCAD REL2008 LT		DO NOT SCALE DRAWING FOR DIMENSIONS		
.XXX ±		INCH		Sheet 2 of 2		SCALE 1:10
<DEG> ±				CONFIDENTIAL DISCLOSURE		
This drawing is the property of POWEREX, INC. of the SCOTT FETZER COMPANY and subject to return on demand. Its contents are confidential and must not be copied or submitted to outside parties for use or examination.						
DRAWN BY		CHECKED BY	ENGINEERING	MFG/MKTG	APPROVED BY	
AEK		GES	DMS	RJR		
12/19/11		12/19/11	12/19/11	12/19/11		
MATERIAL		N/A				
PART NAME		CLAW DUPLEX VACUUM FLOW SCHEMATIC		150 PRODUCTION DRIVE, HARRISON, OHIO 45030 Ph: 888-769-7979 FAX: (513) 367-3125		
DWG NO		CVTD0203		SIZE D		