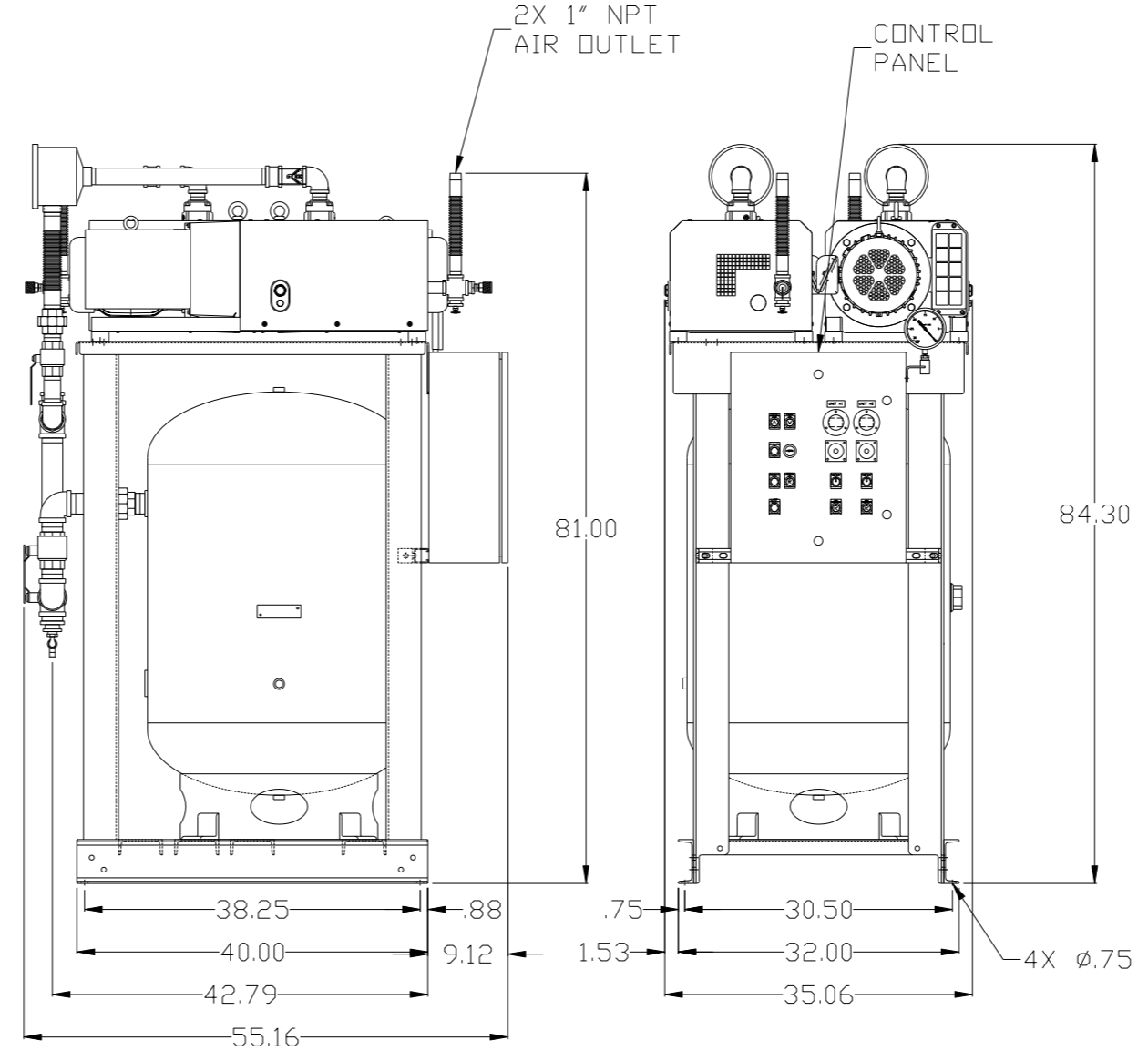
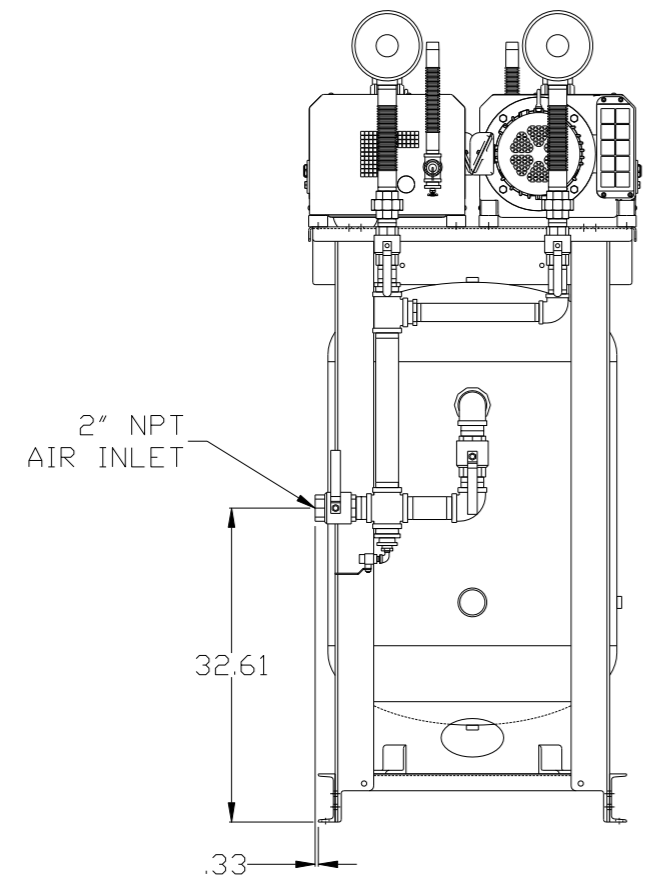
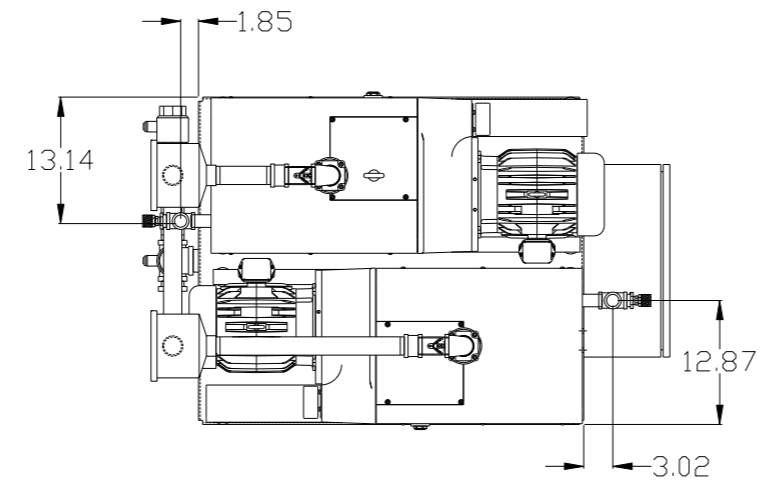


8 7 6 5 4 3 2 1

REV	ZONE	REVISION	DATE	ECN	NAME	CHKD
B-1	ALL	RELEASE FOR PRODUCTION	5/13/11	22545	AEK	GES
C-1	2 CS	CHANGED 1-1/2" TO 2"	11/21/11	22546	AEK	DMS
D-1	ALL	ADDED PBM SHEETS	12/13/11	22610	AEK	GES
E-1	2 BS 2 ALL	ADDED SIGHT GAUGE ADDED SOURCE VALVE INFORMATION	3/27/13	PXEC0030	AEK	GES
F-1	ALL	CHANGED HIGH TEMP TO A STANDARD OPTION ON BASIC CONTROLS SHEET	7/30/13	PXEC0030	AEK	GES
G-1	1 ALL	UPDATED TO PUMP WITH NEMA RATED MOTOR	7/28/16	PXEC0149	AEK	GES



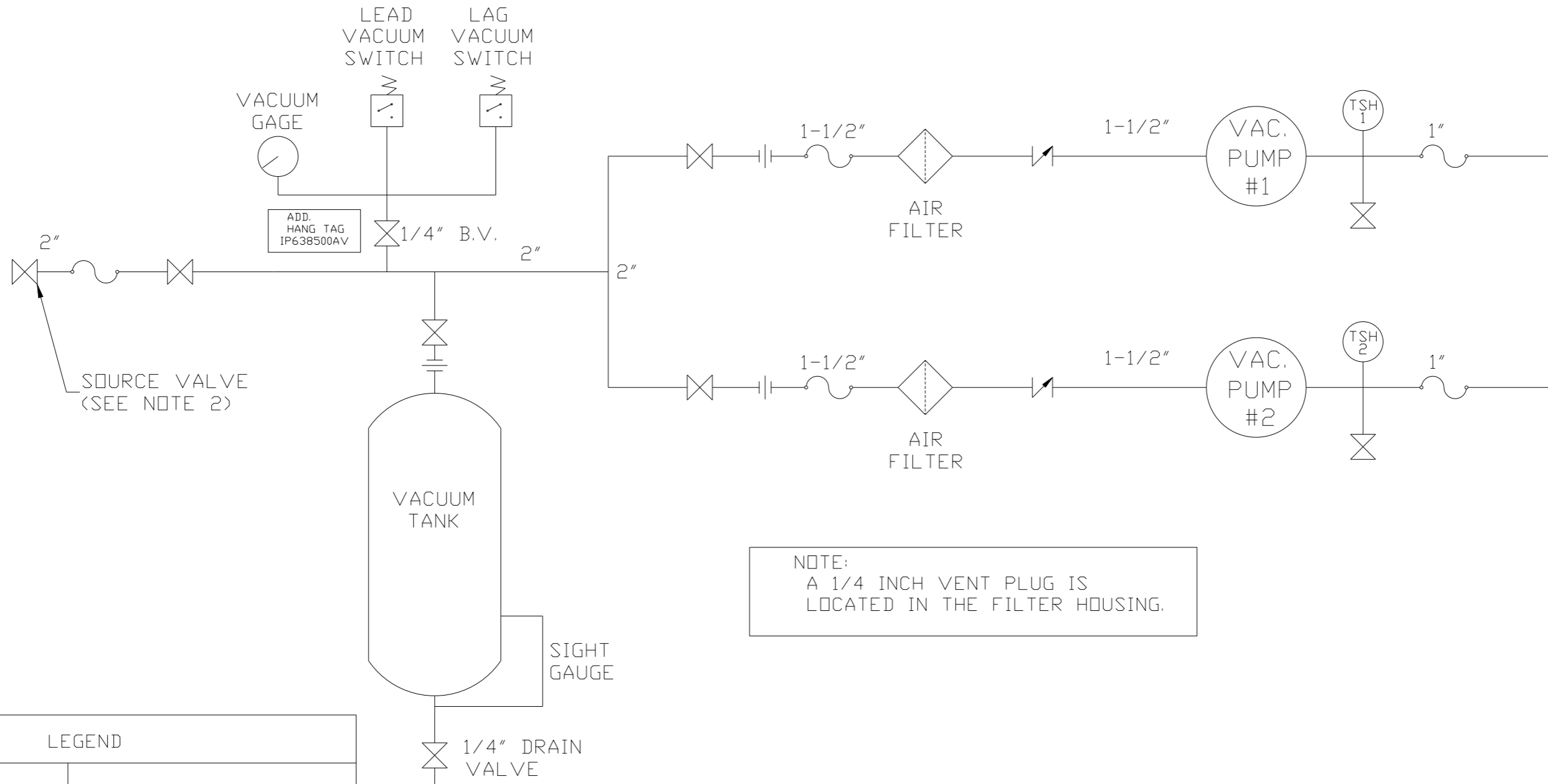
NOTE: SYSTEM DESIGNED IN COMPLIANCE WITH U.S. NFPA '99, LATEST EDITION.

NOTE: A MINIMUM OF 24" CLEARANCE IS RECOMMENDED AROUND THE ENTIRE UNIT.

<b>SYMBOL LEGEND</b> ⊖ = MINUS DRAFT ⊕ = PLUS DRAFT TOLERANCES NOT SPECIFIED .XX ± .XXX ± << DEG > ±		= ADDITIONAL CONTROL REQ'D = BRINELL HARDNESS		Drawings to conform to the current revision of the following ANSI standards: Y14.3 Multi and sectional view dsgs. Y14.5M Dimensioning and tolerancing	
AUTOCAD REL2008 LT INCH		DO NOT SCALE DRAWING FOR DIMENSIONS Sheet 1 of 2 SCALE 1:10		<b>CONFIDENTIAL DISCLOSURE</b> This drawing is the property of POWEREX, INC. of the SCOTT FETZER COMPANY and subject to return on demand. Its contents are confidential and must not be copied or submitted to outside parties for use or examination.	
DRAWN BY AEK		CHECKED BY GES		APPROVED BY ENGINEERING MFG/MKTG DMS BK	
MATERIAL N/A		DATE 5/13/11		DATE 5/13/11 5/13/11 5/13/11	
PART NAME DUPLEX VACUUM 5HP 120 GAL VERT		 150 PRODUCTION DRIVE, HARRISON, OHIO 45030 Ph: 888-769-7979 FAX: (513) 367-3125		DWG NO CVTD0504BV SIZE D	

8 7 6 5 4 3 2 1

REV	ZONE	REVISION	DATE	ECN	NAME	CHKD
B-1	ALL	RELEASE TO PRODUCTION	5/13/11	22545	AEK	GES
C-1	2 CS	CHANGED 1-1/2" TO 2"	11/21/11	22546	AEK	DMS
D-1	ALL	ADDED P&ID SHEETS	12/13/11	22610	AEK	GES
E-1	2 BS 2 ALL	ADDED SIGHT GAUGE ADDED SOURCE VALVE INFORMATION	3/27/13	PXEC0030	AEK	GES
F-1	ALL	CHANGED HIGH TEMP TO A STANDARD OPTION ON BASIC CONTROLS SHEETS	7/30/13	PXEC0030	AEK	GES
G-1	1 ALL	UPDATED TO PUMP WITH NEMA RATED MOTOR	7/28/16	PXEC0149	AEK	GES



NOTE:  
A 1/4 INCH VENT PLUG IS  
LOCATED IN THE FILTER HOUSING.

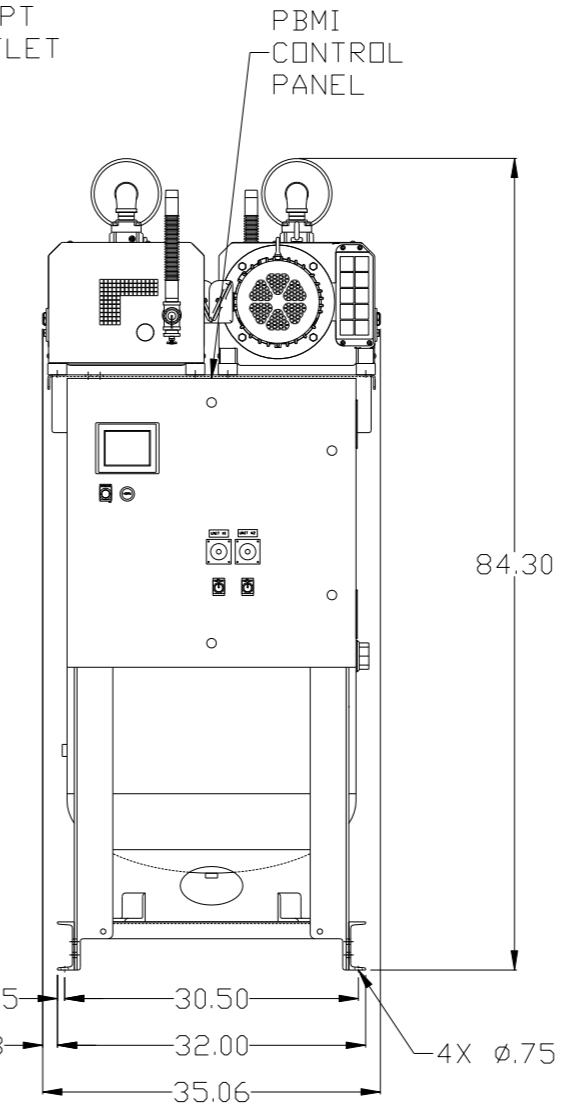
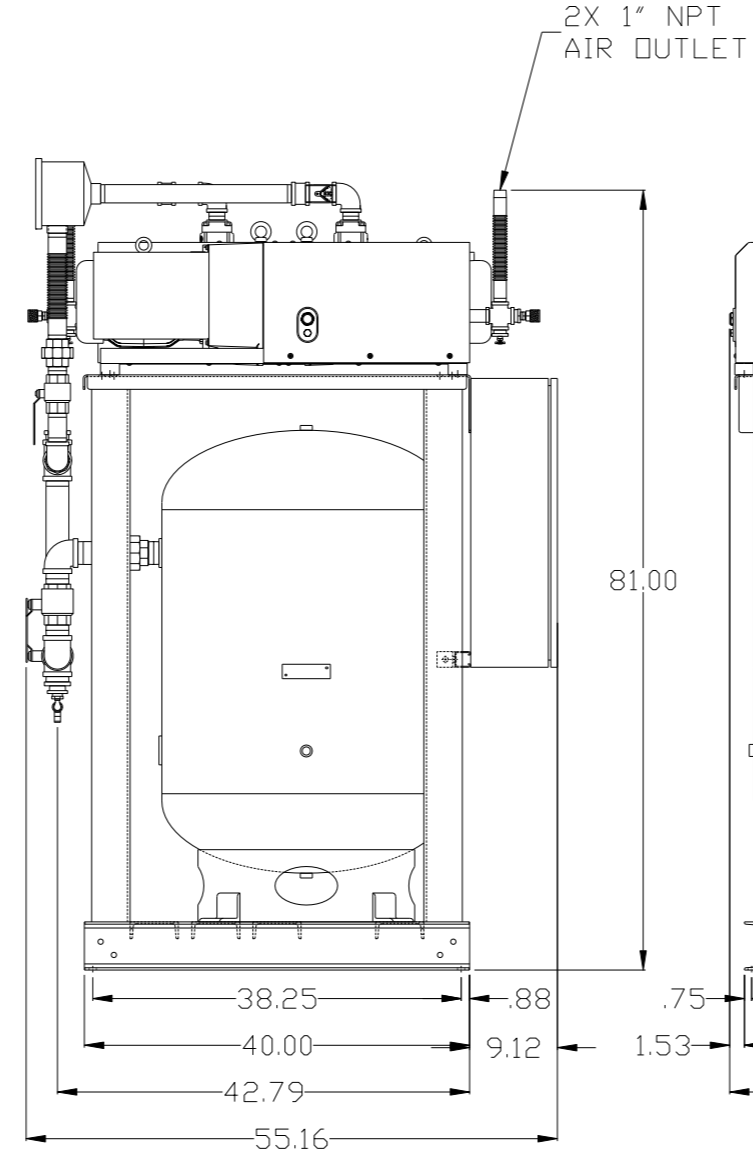
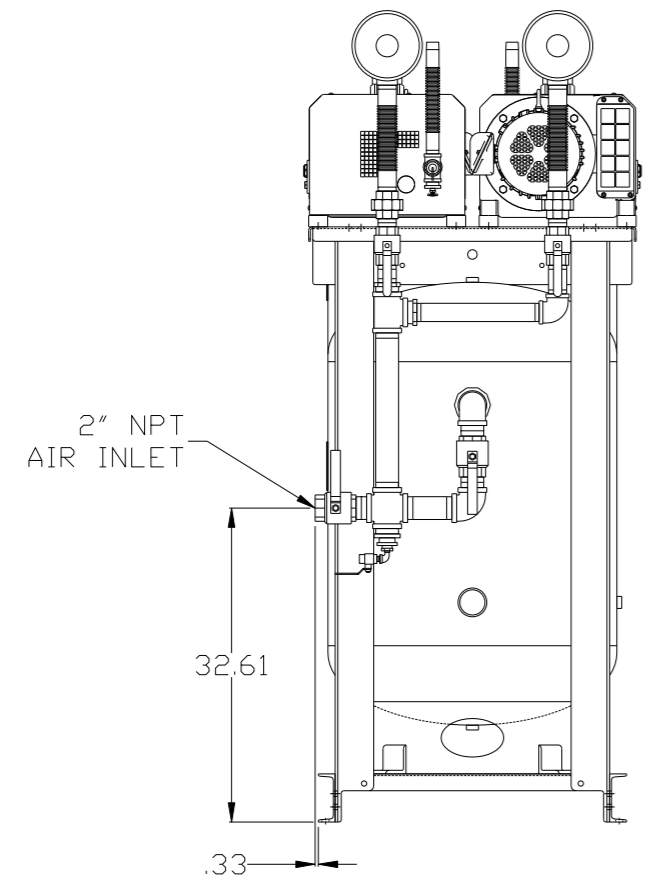
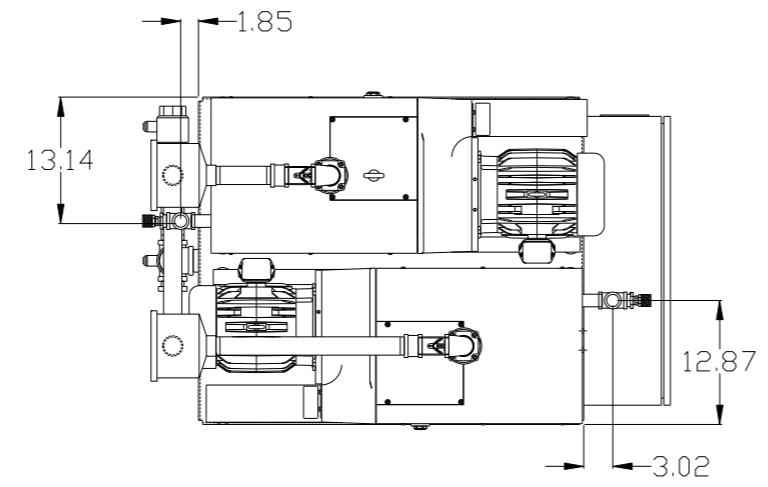
LEGEND	
	TEMP. SWITCH
	AIR FILTER
	BALL VALVE
	VACUUM SWITCH
	CHECK VALVE
	FLEX LINE
	UNION

NOTES:  
1) TSH - TEMPERATURE SWITCH HIGH  
2) PER NFPA THE SYSTEM WILL REQUIRE A SOURCE VALVE (SUPPLIED BY OTHERS).

SYMBOL LEGEND			= ADDITIONAL CONTROL REQ'D		Drawings to conform to the current revision of the following ANSI standards:	
	= MINUS DRAFT		= BRINELL HARDNESS		Y14.3 Multi and sectional view dgs. Y14.5M Dimensioning and tolerancing	
TOLERANCES NOT SPECIFIED		AUTOCAD REL2008 LT	DO NOT SCALE DRAWING FOR DIMENSIONS			
.XX ±	.XXX ±	INCH	Sheet 2 of 2		SCALE 1:10	
CONFIDENTIAL DISCLOSURE This drawing is the property of POWEREX, INC. of the SCOTT FETZER COMPANY and subject to return on demand. Its contents are confidential and must not be copied or submitted to outside parties for use or examination.						
DRAWN BY		CHECKED BY	APPROVED BY		MFG/MKTG	
AEK		GES	DMS		BK	
5/13/11		5/13/11	5/13/11		5/13/11	
MATERIAL		N/A				
PART NAME		VACUUM DUPLEX TANKMNT		150 PRODUCTION DRIVE, HARRISON, OHIO 45030 Ph: 888-769-7979 FAX: (513) 367-3125		
FLOW SCHEMATIC		CVTD0504BV		SIZE D		

8 7 6 5 4 3 2 1

REV	ZONE	REVISION	DATE	ECN	NAME	CHKD
D-1	ALL	ADDED PBMI SHEETS	12/13/11	22610	AEK	GES
E-1	2 BS 2 ALL	ADDED SIGHT GAUGE ADDED SOURCE VALVE INFORMATION	3/27/13	PXEC0030	AEK	GES
F-1	ALL	CHANGED HIGH TEMP TO A STANDARD OPTION ON BASIC CONTROLS SHEET	7/30/13	PXEC0030	AEK	GES
G-1	1 ALL	UPDATED TO PUMP WITH NEMA RATED MOTOR	7/28/16	PXEC0149	AEK	GES



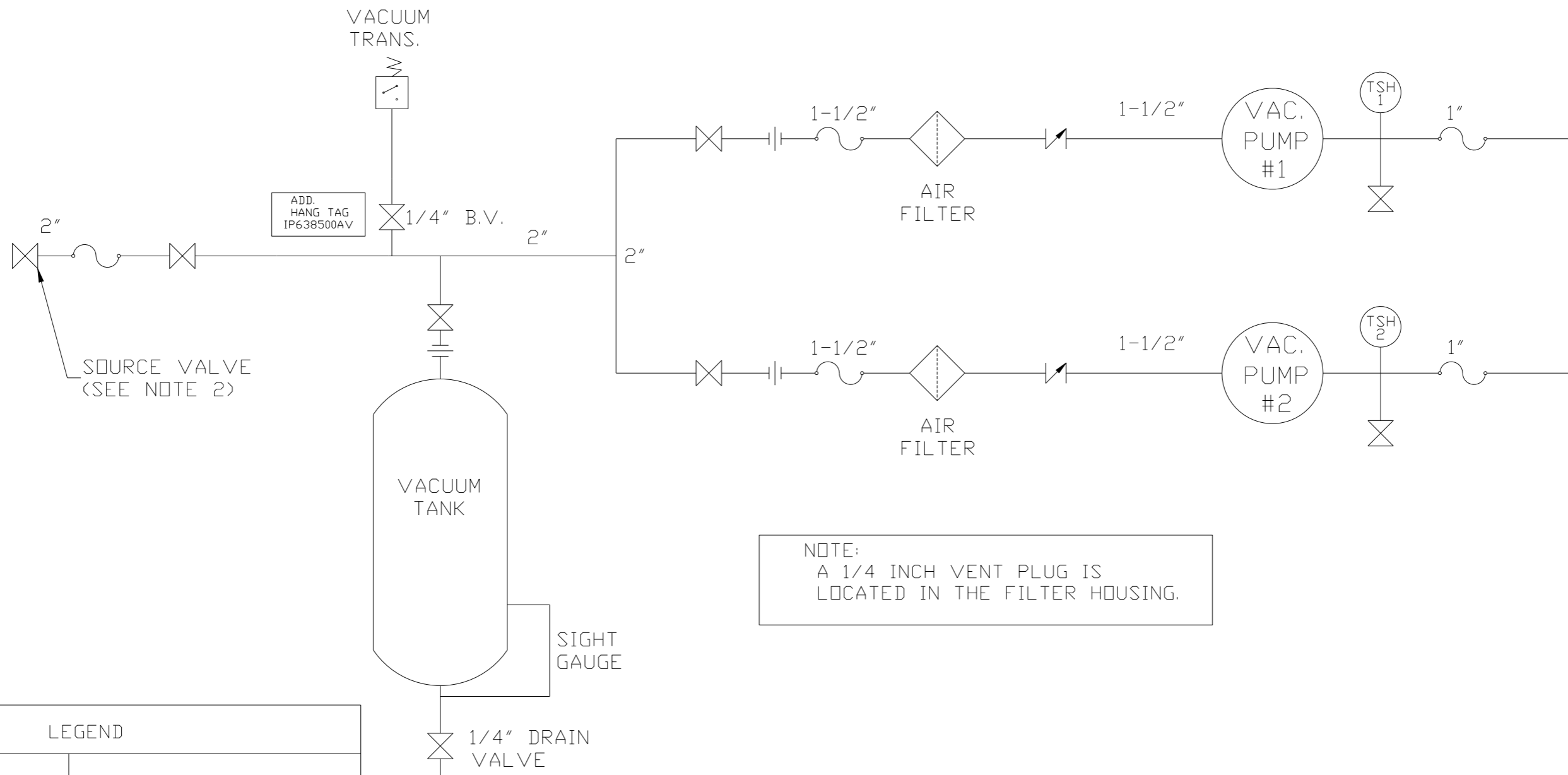
NOTE: SYSTEM DESIGNED IN COMPLIANCE WITH U.S. NFPA '99, LATEST EDITION.

NOTE: A MINIMUM OF 24" CLEARANCE IS RECOMMENDED AROUND THE ENTIRE UNIT.

<b>SYMBOL LEGEND</b> ⊖ = MINUS DRAFT ⊕ = PLUS DRAFT ∅ = ADDITIONAL CONTROL REQ'D HRC = BRINELL HARDNESS		Drawings to conform to the current revision of the following ANSI standards: Y14.3 Multi and sectional view dsgs. Y14.5M Dimensioning and tolerancing	
TOLERANCES NOT SPECIFIED .XX ± .XXX ± <<DEG> ±		AUTOCAD REL2008 LT <b>INCH</b> DO NOT SCALE DRAWING FOR DIMENSIONS Sheet 1 of 2 SCALE 1:10	
<b>CONFIDENTIAL DISCLOSURE</b> This drawing is the property of POWEREX, INC. of the SCOTT FETZER COMPANY and subject to return on demand. Its contents are confidential and must not be copied or submitted to outside parties for use or examination.			
DRAWN BY AEK		CHECKED BY GES	
12/13/11		12/13/11	
APPROVED BY DMS		APPROVED BY RJR	
12/13/11		12/13/11	
MATERIAL N/A		 150 PRODUCTION DRIVE, HARRISON, OHIO 45030 Ph 888-769-7979 FAX (513) 367-3125	
PART NAME DUPLEX VACUUM 5HP 120 GAL VERT		DWG NO CVTD0504BV SIZE D	

8 7 6 5 4 3 2 1

REV	ZONE	REVISION	DATE	ECN	NAME	CHKD
D-1	ALL	ADDED PBM1 SHEETS	12/13/11	22610	AEK	GES
E-1	2 BS 2 ALL	ADDED SIGHT GAUGE ADDED SOURCE VALVE INFORMATION	3/27/13	PXEC0030	AEK	GES
F-1	ALL	CHANGED HIGH TEMP TO A STANDARD OPTION ON BASIC CONTROLS SHEETS	7/30/13	PXEC0030	AEK	GES
G-1	1 ALL	UPDATED TO PUMP WITH NEMA RATED MOTOR	7/28/16	PXEC0149	AEK	GES



NOTE:  
A 1/4 INCH VENT PLUG IS  
LOCATED IN THE FILTER HOUSING.

LEGEND	
	TEMP. SWITCH
	AIR FILTER
	BALL VALVE
	VACUUM SWITCH
	CHECK VALVE
	FLEX LINE
	UNION

NOTES:  
1) TSH - TEMPERATURE SWITCH HIGH  
2) PER NFPA THE SYSTEM WILL REQUIRE A SOURCE VALVE (SUPPLIED BY OTHERS).

SYMBOL LEGEND ⊖ = MINUS DRAFT ⊕ = PLUS DRAFT		⊕ = ADDITIONAL CONTROL REQ'D HRC = BRINELL HARDNESS		Drawings to conform to the current revision of the following ANSI standards: Y14.3 Multi and sectional view dgs. Y14.5M Dimensioning and tolerancing	
TOLERANCES NOT SPECIFIED .XX ± .XXX ± <math>\angle</math> (DEG) ±		AUTOCAD REL2008 LT INCH		DO NOT SCALE DRAWING FOR DIMENSIONS Sheet 2 of 2 SCALE 1:10	
CONFIDENTIAL DISCLOSURE This drawing is the property of POWEREX, INC. of the SCOTT FETZER COMPANY and subject to return on demand. Its contents are confidential and must not be copied or submitted to outside parties for use or examination.					
MATERIAL N/A		DRAWN BY AEK		CHECKED BY GES	
PART NAME VACUUM DUPLEX TNKMNT FLOW SCHEMATIC		APPROVED BY DMS RJR		DATE 12/13/11 12/13/11 12/13/11 12/13/11	
DWG NO CVTD0504BV		SIZE D		PWR <b>POWEREX</b> 150 PRODUCTION DRIVE, HARRISON, OHIO 45030 Ph: 888-769-7979 FAX: (513) 367-3125	