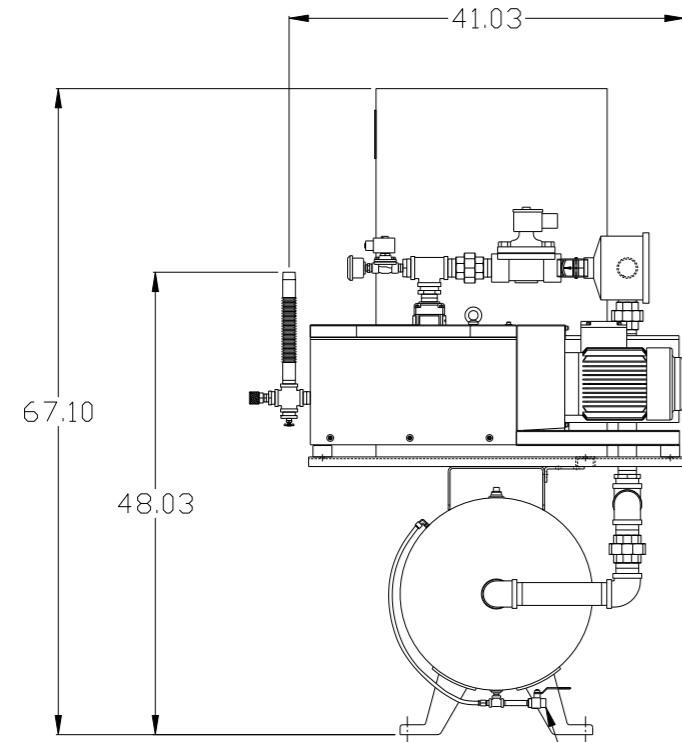
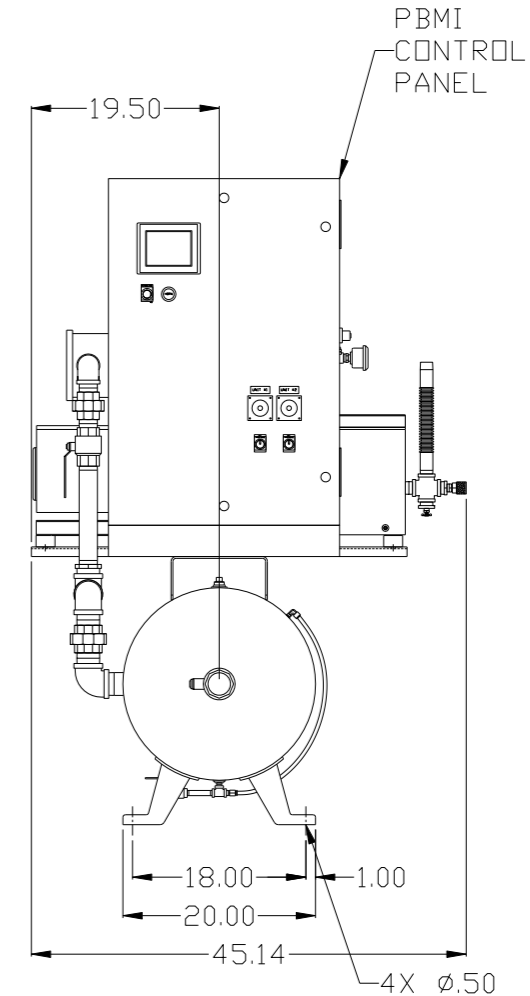
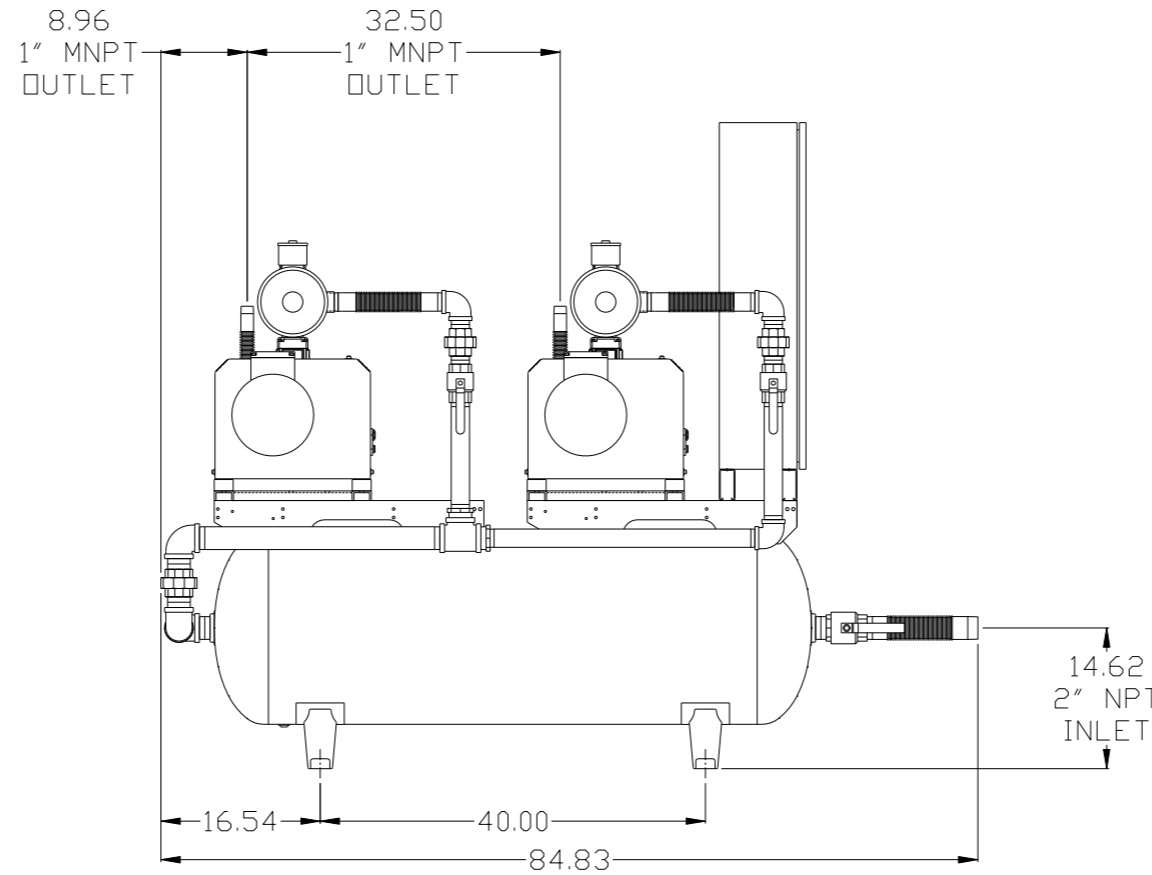


REV	ZONE	REVISION	DATE	ECN	NAME	CHKD
B-1	ALL	RELEASE TO PRODUCTION	1/7/13	PXEC003	GES	DMS
C-1	ALL	ADDED HIGH TEMP SWITCH TO BUILD SHEETS	2/29/16	PXEC048	AEK	GES



MANUAL
TANK DRAIN
W/SIGHT GAUGE



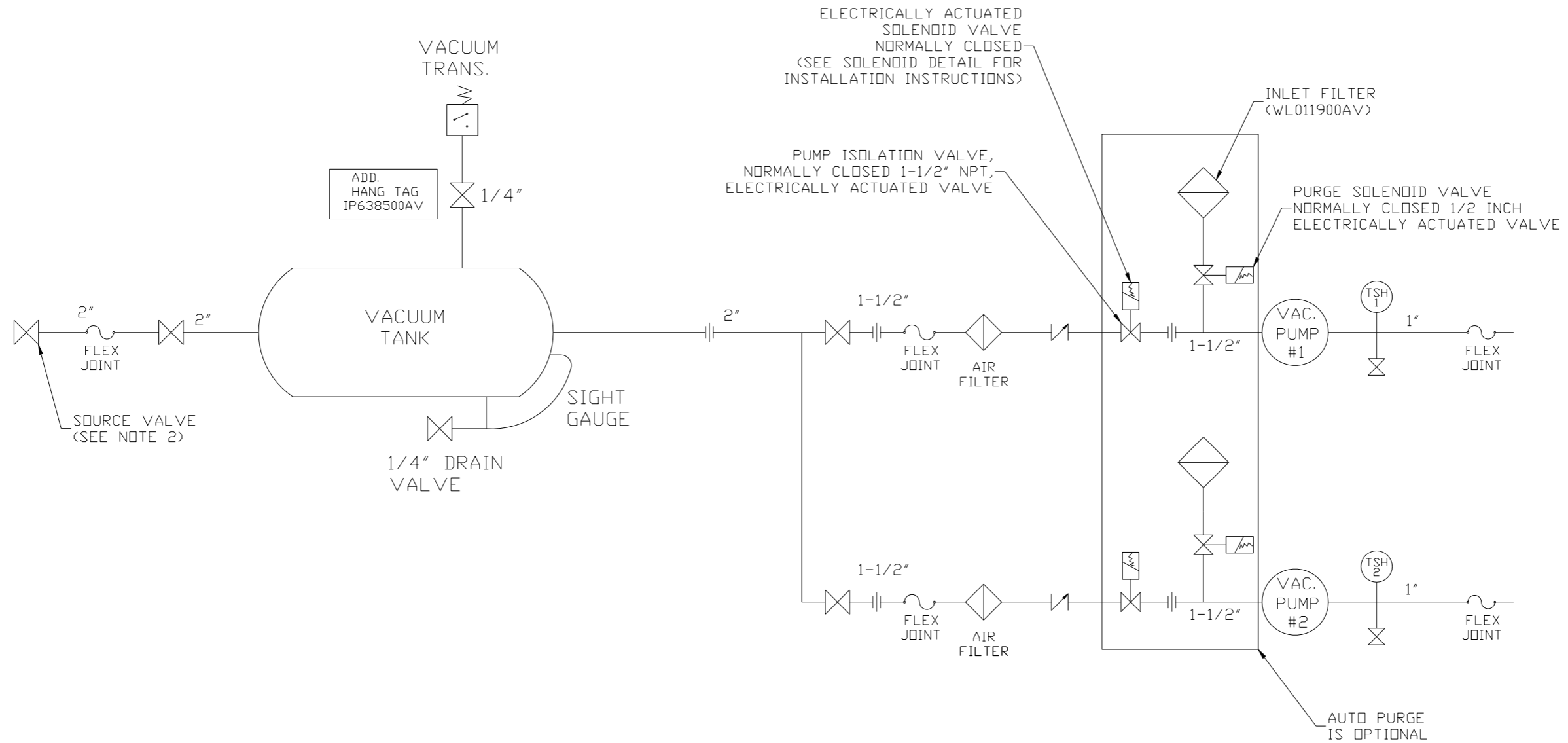
NOTE: AUTO PURGE IS OPTIONAL.

NOTE: A MINIMUM OF 24" CLEARANCE IS RECOMMENDED AROUND THE ENTIRE UNIT. THERE IS ALSO A MINIMUM RECOMMENDED ELECTRICAL PANEL CLEARANCE PER OSHA/ NEC.

NOTE: SYSTEM DESIGNED IN COMPLIANCE WITH U.S. NFPA '99, LATEST EDITION.

SYMBOL LEGEND		DRAWINGS TO CONFORM TO THE CURRENT REVISION OF THE FOLLOWING ANSI STANDARDS	
⊖ = MINUS DRAFT	⊕ = PLUS DRAFT	⊕ = ADDITIONAL CONTROL REQ'D	⊕ = BRINELL HARDNESS
TOLERANCES NOT SPECIFIED		DO NOT SCALE DRAWING FOR DIMENSIONS	
.XX ±	.XXX ±	SCALE 1:10	
<<DEG> ±			
CONFIDENTIAL DISCLOSURE This drawing is the property of POWEREX, INC. OF THE SCOTT FETZER COMPANY and subject to return on demand. Its contents are confidential and must not be copied or submitted to outside parties for use or examination.		AUTOCAD REL2008 LT	
DRAWN BY		CHECKED BY	APPROVED BY
GES		DMS	DMS CT
1/7/13		1/7/13	1/7/13 1/7/13
MATERIAL		N/A	
PART NAME		2HP LAB CLAW VACUUM	
DUPLX 80G TANK MOUNTED		DWG NO LCD0203	
		SIZE D	

REV	ZONE	REVISION	DATE	ECN	NAME	CHKD
B-1	ALL	RELEASE TO PRODUCTION	1/7/13	PXC0003	GES	DMS
C-1	1 ALL	ADDED HIGH TEMP SWITCH TO BUILD SHEETS	2/29/16	PXC0048	AEK	GES



ELECTRICALLY ACTUATED SOLENOID VALVE NORMALLY CLOSED (SEE SOLENOID DETAIL FOR INSTALLATION INSTRUCTIONS)

PUMP ISOLATION VALVE, NORMALLY CLOSED 1-1/2" NPT, ELECTRICALLY ACTUATED VALVE

INLET FILTER (WL011900AV)

PURGE SOLENOID VALVE NORMALLY CLOSED 1/2 INCH ELECTRICALLY ACTUATED VALVE

SOURCE VALVE (SEE NOTE 2)

ADD. HANG TAG IP638500AV

AUTO PURGE IS OPTIONAL

NOTE:
A 1/4 INCH VENT PLUG IS LOCATED IN THE FILTER HOUSING.

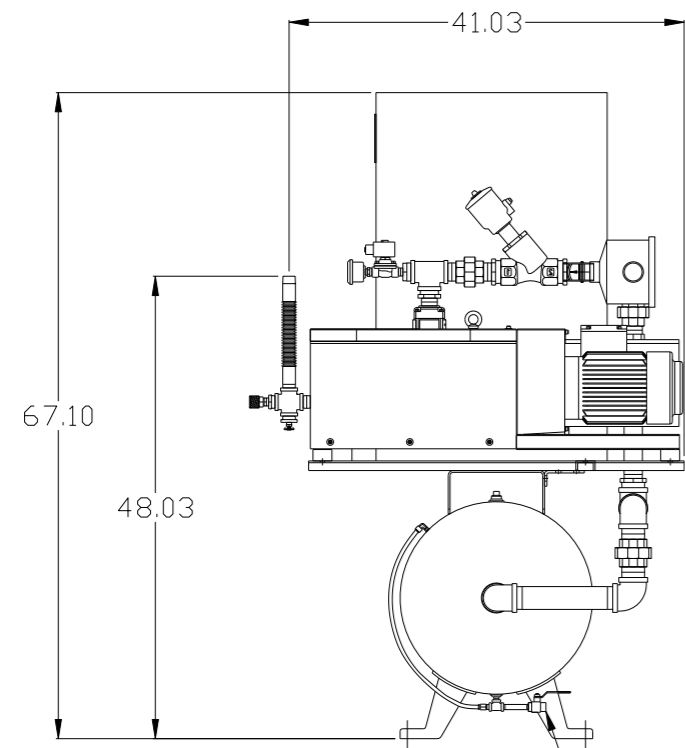
LEGEND

	TEMP. SWITCH		VACUUM SWITCH
	BUTTERFLY VALVE		CHECK VALVE
	AIR FILTER		FLEX LINE
	BALL VALVE		UNION

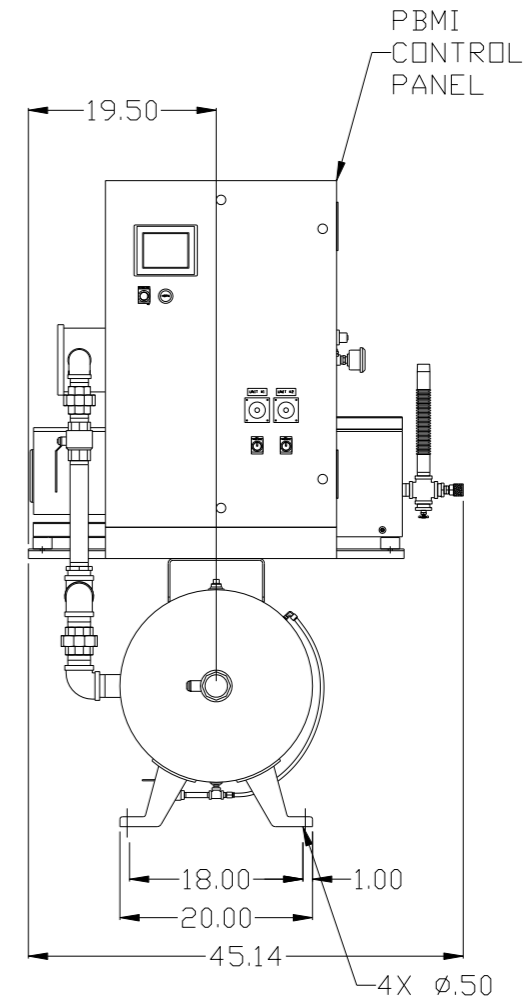
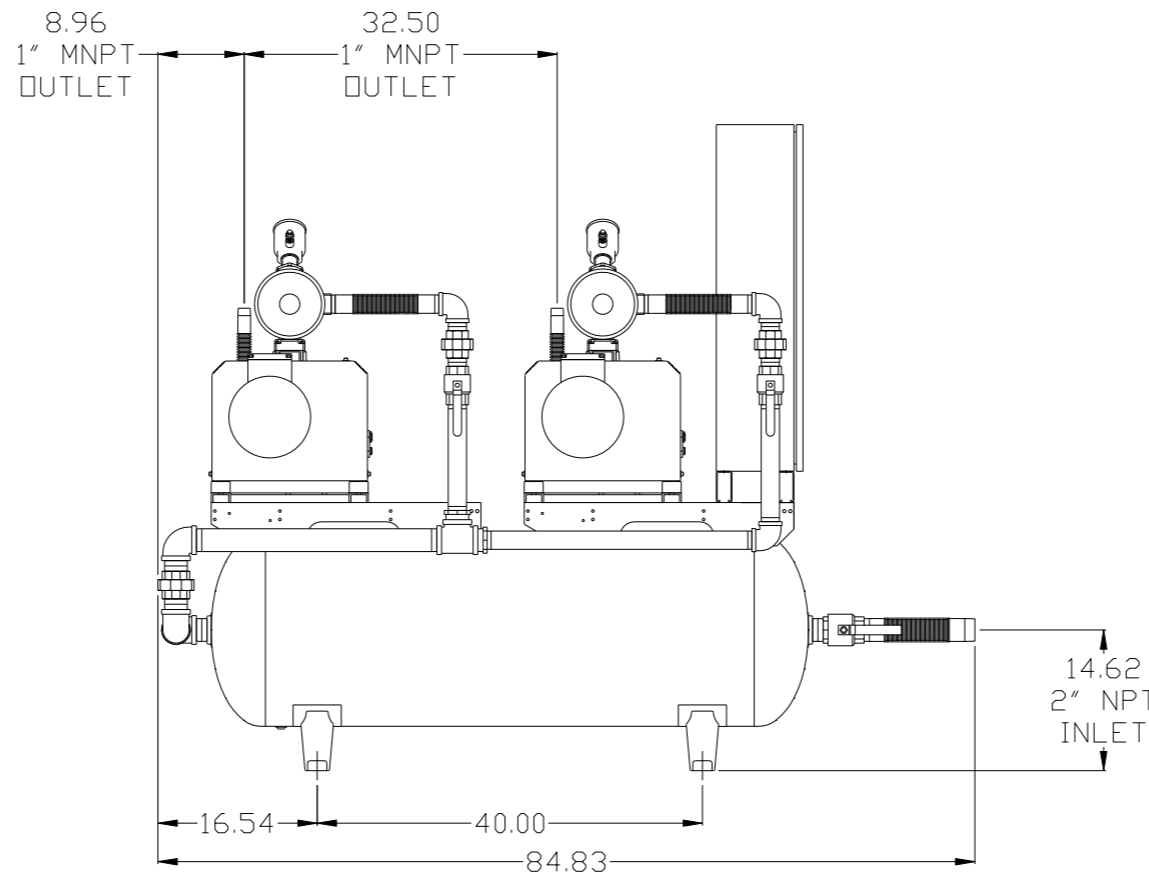
NOTE:
1) TSH - TEMPERATURE SWITCH HIGH
2) PER NFPA THE SYSTEM WILL REQUIRE A SOURCE VALVE (SUPPLIED BY OTHERS).

SYMBOL LEGEND			ADDITIONAL CONTROL REQ'D	Drawings to conform to the current revision of the following ANSI standards	
	MINUS DRAFT		BRINELL HARDNESS	Y14.3 Multi and sectional view dsgs. Y14.5M Dimensioning and tolerancing	
TOLERANCES NOT SPECIFIED		AUTOCAD REL2008 LT		DO NOT SCALE DRAWING FOR DIMENSIONS	
.XX ±		INCH		Sheet 2 of 2	SCALE 1:10
CONFIDENTIAL DISCLOSURE This drawing is the property of POWEREX, INC. of the SCOTT FETZER COMPANY and subject to return on demand. Its contents are confidential and must not be copied or submitted to outside parties for use or examination.					
DRAWN BY	CHECKED BY	APPROVED BY		MFG/MRKTG	
GES	DMS	DMS		CT	
1/7/13	1/7/13	1/7/13		1/7/13	
MATERIAL		N/A			
PART NAME		DUPLEX LAB VACUUM		150 PRODUCTION DRIVE, HARRISON, OHIO 45030 Ph: 888-769-7979 FAX: (513) 367-3125	
FLOW SCHEMATIC		DWG NO		SIZE	
		LCD0203		D	

REV	ZONE	REVISION	DATE	ECN	NAME	CHKD
B-1	ALL	RELEASE TO PRODUCTION	1/7/13	PXEC003	GES	DMS
C-1	ALL	ADDED HIGH TEMP SWITCH TO BUILD SHEETS	2/29/16	PXEC048	AEK	GES



MANUAL
TANK DRAIN
W/SIGHT GAUGE



PBMI
CONTROL
PANEL

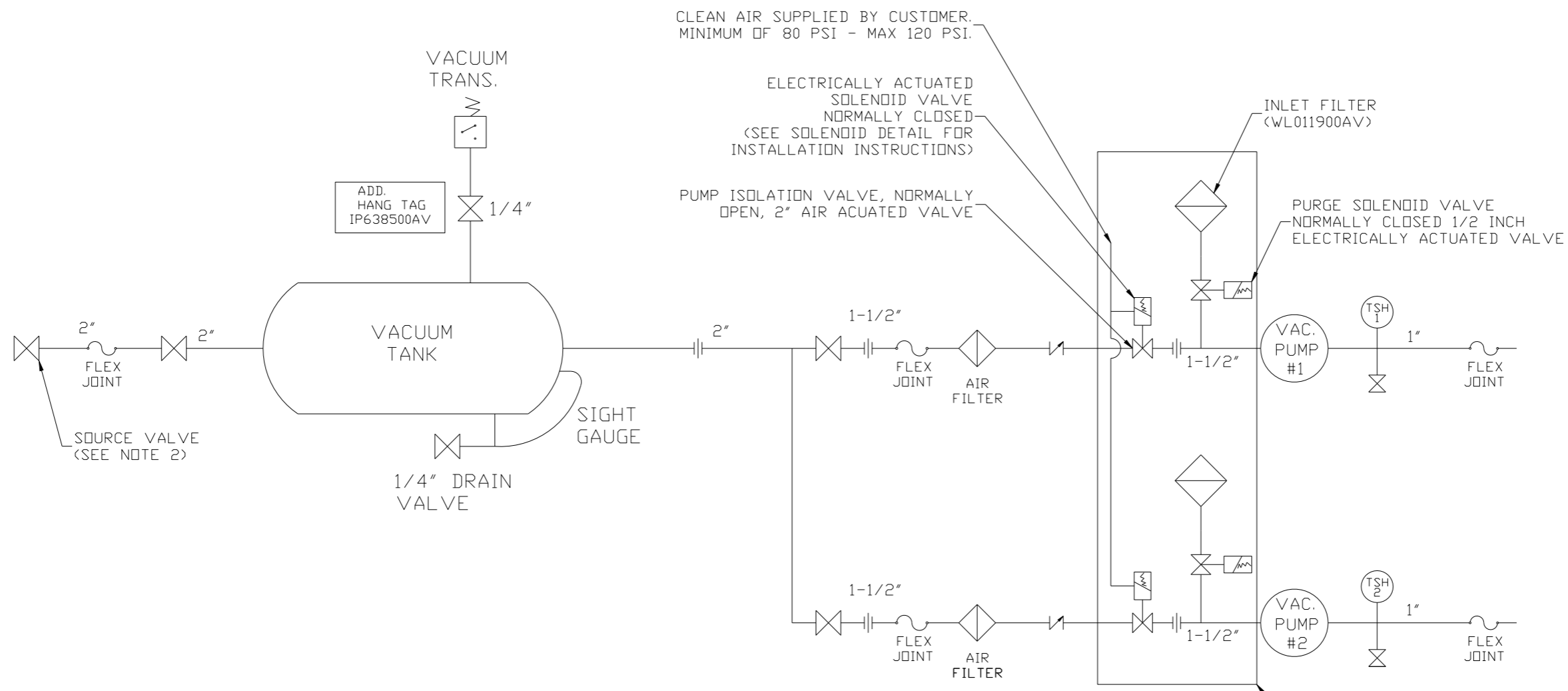
NOTE: AUTO PURGE IS OPTIONAL.

NOTE: A MINIMUM OF 24" CLEARANCE IS
RECOMMENDED AROUND THE ENTIRE UNIT.
THERE IS ALSO A MINIMUM RECOMMENDED
ELECTRICAL PANEL CLEARANCE PER OSHA/ NEC.

NOTE: SYSTEM DESIGNED IN
COMPLIANCE WITH U.S. NFPA '99,
LATEST EDITION.

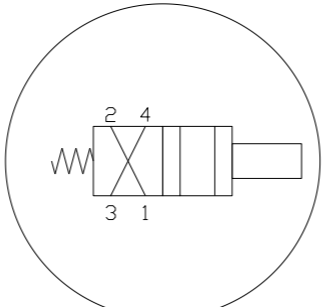
SYMBOL LEGEND		DRAWINGS TO CONFORM TO THE CURRENT REVISION OF THE FOLLOWING ANSI STANDARDS	
⊖ = MINUS DRAFT	⊕ = PLUS DRAFT	⊕ = ADDITIONAL CONTROL REQ'D	⊕ = BRINELL HARDNESS
TOLERANCES NOT SPECIFIED		DO NOT SCALE DRAWING FOR DIMENSIONS	
.XX ±	.XXX ±	AUTOCAD REL2008 LT	SCALE 1:10
CONFIDENTIAL DISCLOSURE This drawing is the property of POWEREX, INC. OF THE SCOTT FETZER COMPANY and subject to return on demand. Its contents are confidential and must not be copied or submitted to outside parties for use or examination.		Sheet 1 of 2	
MATERIAL N/A		DRAWN BY GES	
PART NAME 2HP LAB CLAW VACUUM DUPLIX 80G TANK MOUNTED		CHECKED BY DMS	
		APPROVED BY ENGINEERING DMS	
		MFG/MKTG CT	
		1/7/13 1/7/13 1/7/13 1/7/13	
		 150 PRODUCTION DRIVE, HARRISON, OHIO 45030 Ph: 888-769-7979 FAX: (513) 367-3125	
		DWG NO LCD0203	
		SIZE D	

REV	ZONE	REVISION	DATE	ECN	NAME	CHKD
B-1	ALL	RELEASE TO PRODUCTION	1/7/13	PXEC003	GES	DMS
C-1	ALL	ADDED HIGH TEMP SWITCH TO BUILD SHEETS	2/29/16	PXEC048	AEK	GES



LEGEND

	TEMP. SWITCH		VACUUM SWITCH
	BUTTERFLY VALVE		CHECK VALVE
	AIR FILTER		FLEX LINE
	BALL VALVE		UNION



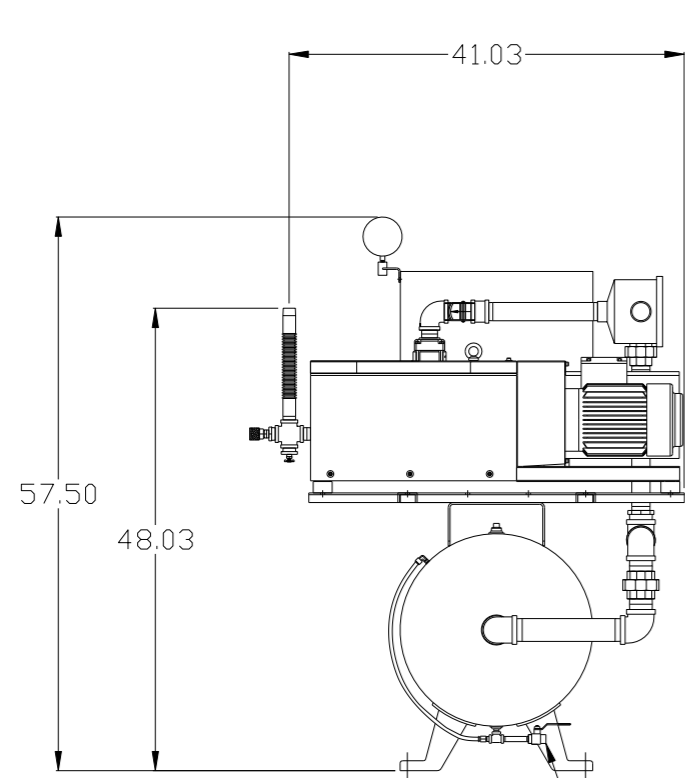
SOLENOID DETAIL:
 1) VALVE - INPUT #1
 2) MUFFLER - INPUT #2
 3) SUPPLY AIR - INPUT #4

NOTE:
 1) TSH - TEMPERATURE SWITCH HIGH
 2) PER NFPA THE SYSTEM WILL REQUIRE A SOURCE VALVE (SUPPLIED BY OTHERS).

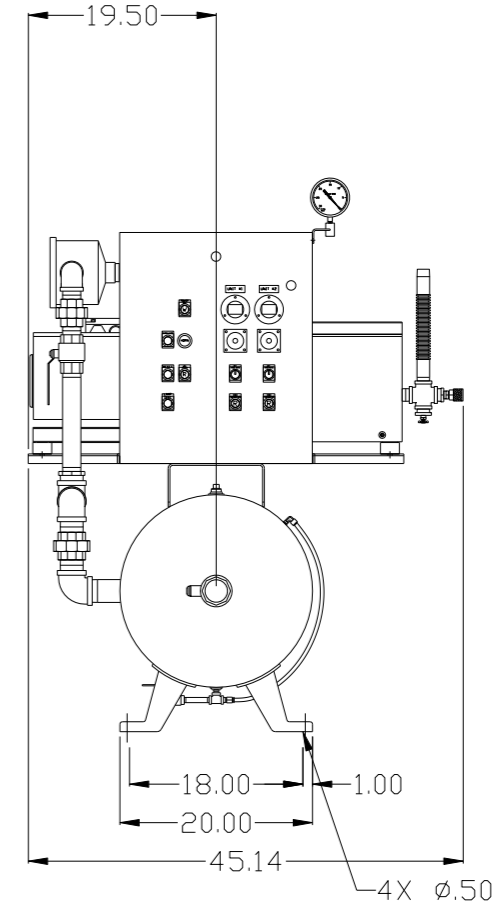
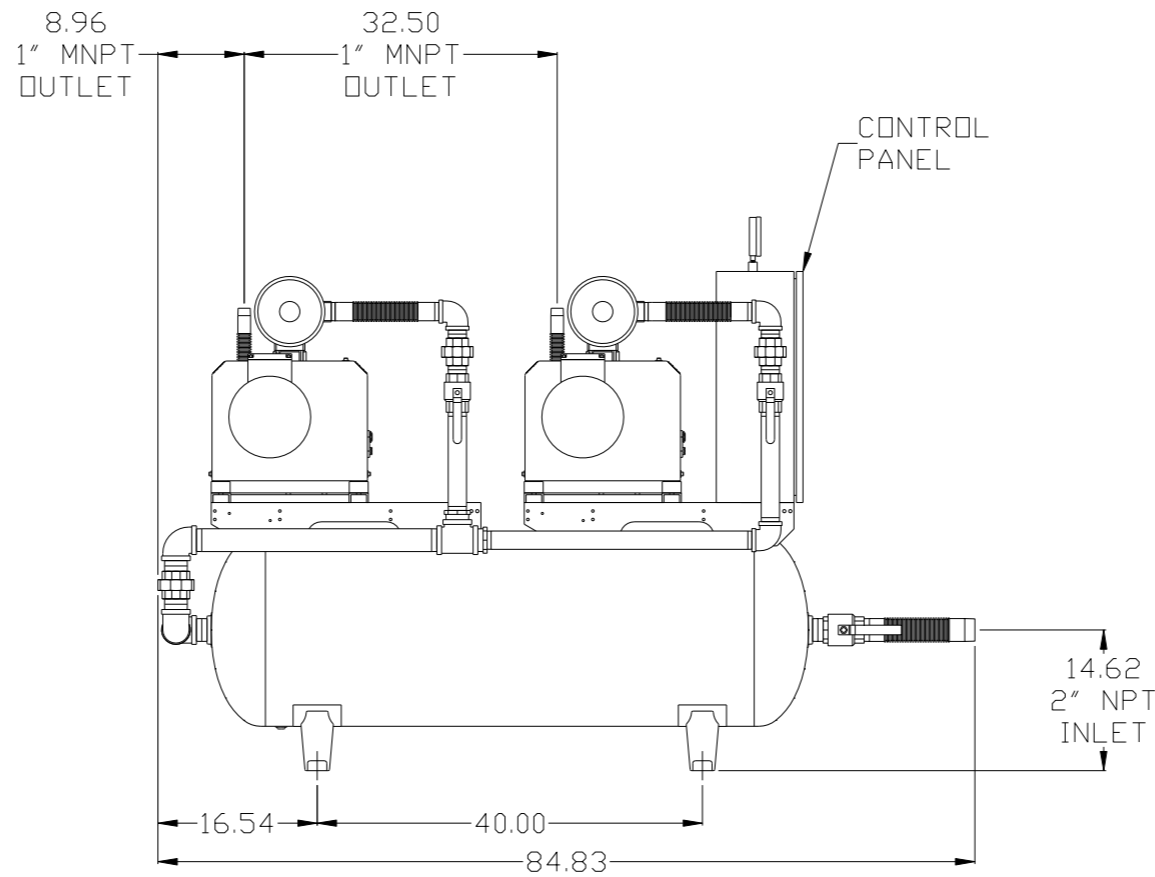
NOTE:
 A 1/4 INCH VENT PLUG IS LOCATED IN THE FILTER HOUSING.

SYMBOL LEGEND			ADDITIONAL CONTROL REQ'D	Drawings to conform to the current revision of the following ANSI standards	
	MINUS DRAFT		BRINELL HARDNESS	Y14.3 Multi and sectional view dgs. Y14.5M Dimensioning and tolerancing	
TOLERANCES NOT SPECIFIED		AUTOCAD REL2008 LT	DO NOT SCALE DRAWING FOR DIMENSIONS		
.XX ±		INCH	Sheet 2 of 2	SCALE 1:10	
CONFIDENTIAL DISCLOSURE This drawing is the property of POWEREX, INC. of the SCOTT FETZER COMPANY and subject to return on demand. Its contents are confidential and must not be copied or submitted to outside parties for use or examination.					
DRAWN BY	CHECKED BY	APPROVED BY		MFG/MKTG	
GES	DMS	DMS	CT		
1/7/13	1/7/13	1/7/13	1/7/13		
MATERIAL		N/A			
PART NAME		DUPLIX LAB VACUUM FLOW SCHEMATIC			
DWG NO		LCD0203		SIZE D	

REV	ZONE	REVISION	DATE	ECN	NAME	CHKD
B-1	ALL	RELEASE TO PRODUCTION	1/7/13	PXEC003	GES	DMS
C-1	ALL	ADDED HIGH TEMP SWITCH TO BUILD SHEETS	2/29/16	PXEC048	AEK	GES



MANUAL
TANK DRAIN
W/SIGHT GAUGE

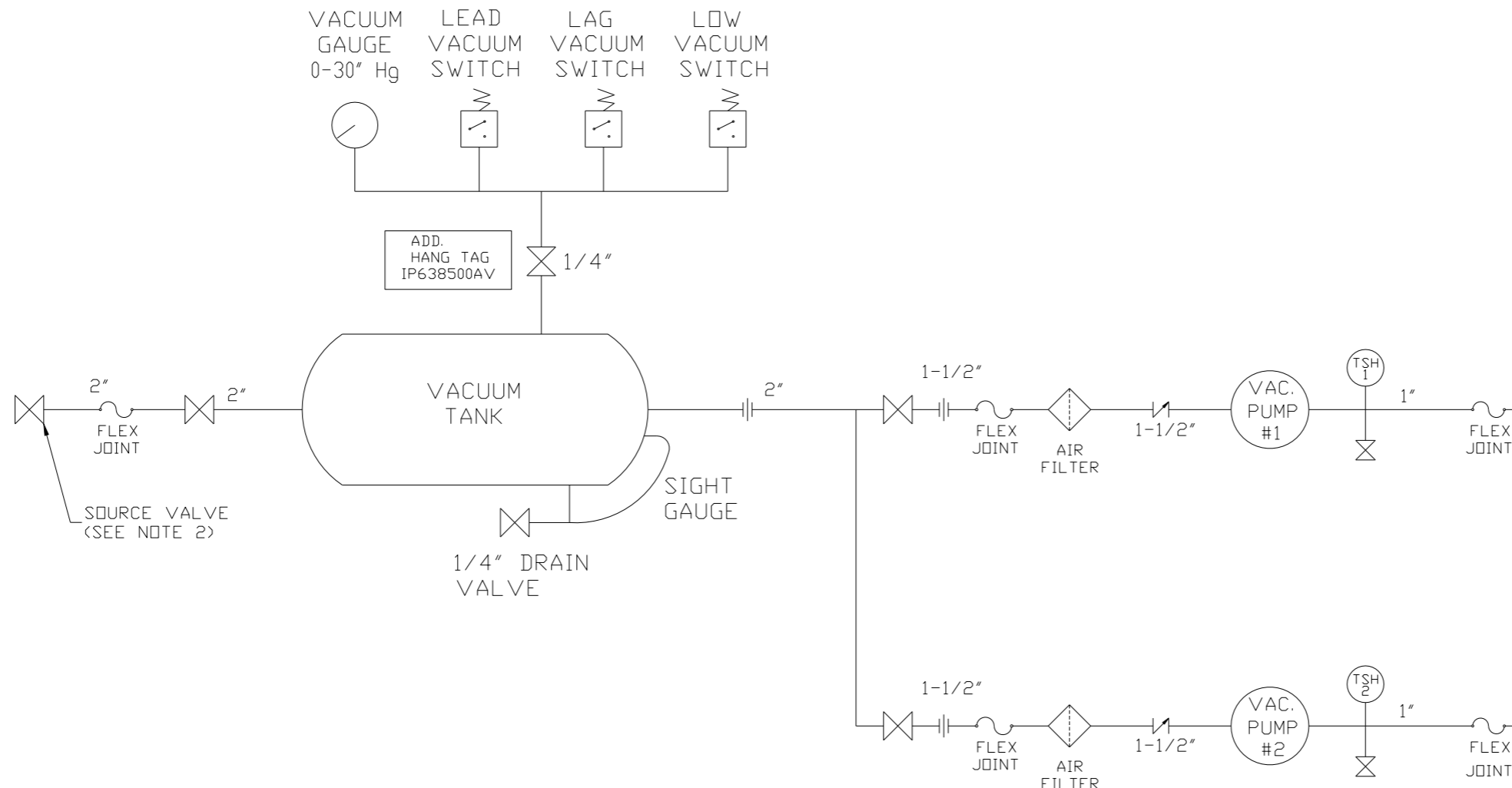


NOTE: A MINIMUM OF 24" CLEARANCE IS RECOMMENDED AROUND THE ENTIRE UNIT. THERE IS ALSO A MINIMUM RECOMMENDED ELECTRICAL PANEL CLEARANCE PER OSHA/ NEC.

NOTE: SYSTEM DESIGNED IN COMPLIANCE WITH U.S. NFPA '99, LATEST EDITION.

SYMBOL LEGEND		= ADDITIONAL CONTROL REQ'D		Drawings to conform to the current revision of the following ANSI standards:	
⊖	MINUS DRAFT	⊕	PLUS DRAFT	⊖	BRINELL HARDNESS
TOLERANCES NOT SPECIFIED		AUTOCAD REL2008 LT		DO NOT SCALE DRAWING FOR DIMENSIONS	
.XX ±		INCH		Sheet 1 of 2	SCALE 1:10
CONFIDENTIAL DISCLOSURE: This drawing is the property of POWEREX, INC. of the SCOTT FETZER COMPANY and subject to return on demand. Its contents are confidential and must not be copied or submitted to outside parties for use or examination.					
DRAWN BY	CHECKED BY	APPROVED BY	ENGINEERING	MFG/MKTG	
GES	DMS	DMS	CT		
1/7/13	1/7/13	1/7/13	1/7/13		
MATERIAL		N/A			
PART NAME		2HP LAB CLAW VACUUM			
DUPLX 80G TANK MOUNTED		DWG NO		LCD0203	
		SIZE		D	

REV	ZONE	REVISION	DATE	ECN	NAME	CHKD
B-1	ALL	RELEASE TO PRODUCTION	1/7/13	PXEC003	GES	DMS
C-1	1 ALL	ADDED HIGH TEMP SWITCH TO BUILD SHEETS	2/29/16	PXEC004B	AEK	GES



NOTE:
A 1/4 INCH VENT PLUG IS
LOCATED IN THE FILTER HOUSING.

LEGEND

	TEMP. SWITCH		VACUUM SWITCH
	BUTTERFLY VALVE		CHECK VALVE
	AIR FILTER		FLEX LINE
	BALL VALVE		UNION

NOTE:
1) TSH - TEMPERATURE SWITCH HIGH
2) PER NFPA THE SYSTEM WILL REQUIRE A SOURCE VALVE (SUPPLIED BY OTHERS).

SYMBOL LEGEND			= ADDITIONAL CONTROL REQ'D	Drawings to conform to the current revision of the following ANSI standards	
	= MINUS DRAFT		= BRINELL HARDNESS	Y14.3 Multi and sectional view dsgs. Y14.5M Dimensioning and tolerancing	
TOLERANCES NOT SPECIFIED		AUTOCAD REL2008 LT	DO NOT SCALE DRAWING FOR DIMENSIONS		
.XX ±		INCH	Sheet 2 of 2	SCALE 1:10	
CONFIDENTIAL DISCLOSURE This drawing is the property of POWEREX, INC. of the SCOTT FETZER COMPANY and subject to return on demand. Its contents are confidential and must not be copied or submitted to outside parties for use or examination.					
DRAWN BY	CHECKED BY	APPROVED BY		MFG/MKTG	
GES	DMS	DMS		CT	
1/7/13	1/7/13	1/7/13		1/7/13	
MATERIAL		N/A			
PART NAME		DUPLIX LAB VACUUM		150 PRODUCTION DRIVE, HARRISON, OHIO 45030 Ph 888-769-7979 FAX (513) 367-3125	
FLOW SCHEMATIC		DWG NO		SIZE	
		LCD0203		D	