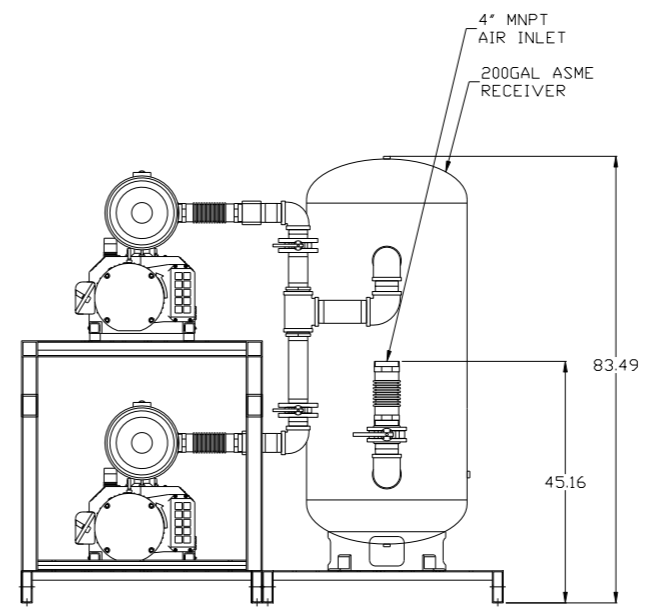
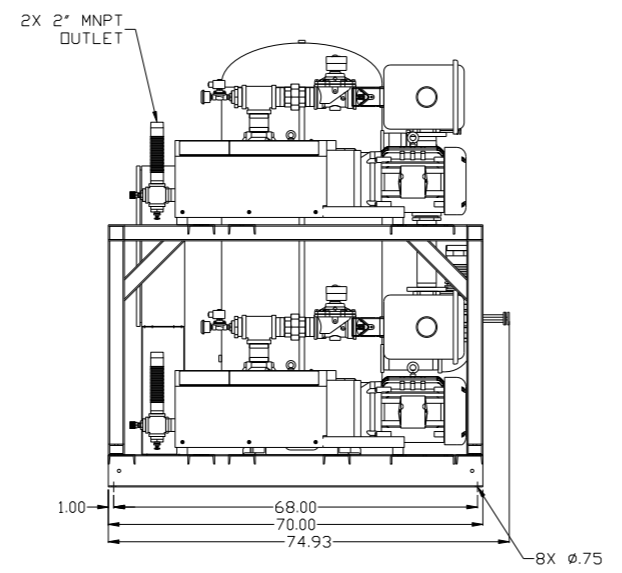
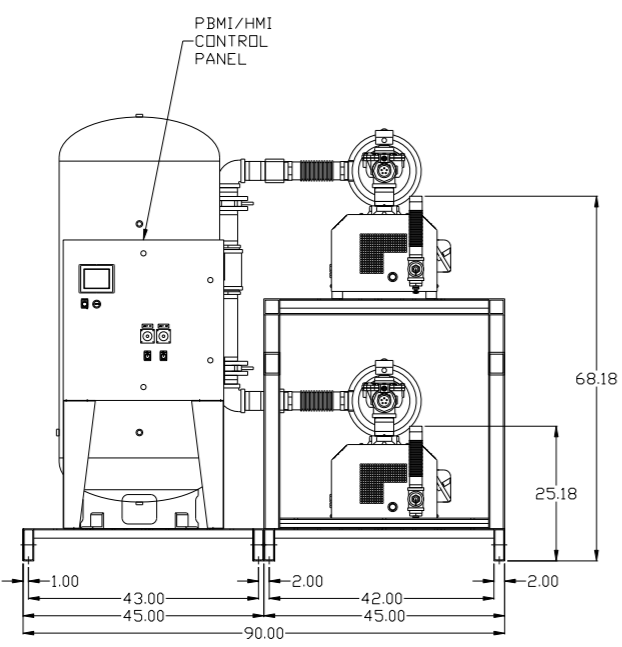
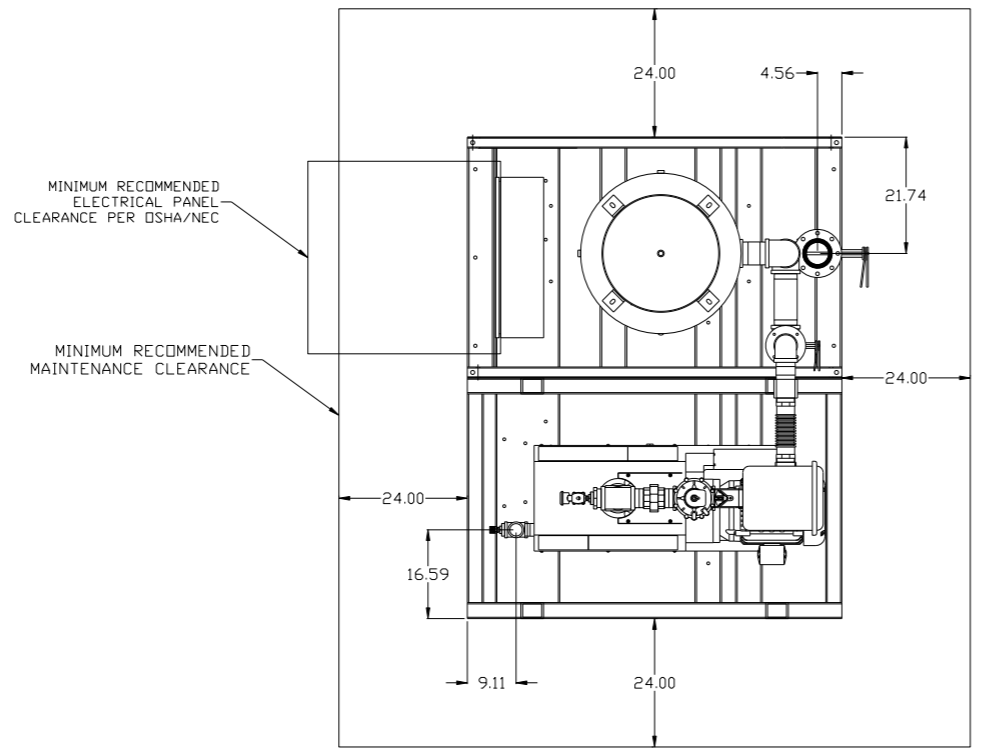


8 7 6 5 4 3 2 1

REV	ZONE	REVISION	DATE	ECN	NAME	CHKD
B-1	ALL	RELEASE TO PRODUCTION	1/2/13	PXEC0003	BFH	DMS
C-1	1 ALL	ADDED TEMP PROBE TO BUILD SHEETS	5/23/14	PXEC0048	AEK	GES
D-1	1 ALL	CHANGED PUMPS TO MM1502	08/06/15	PXEC0098	MJD	GES

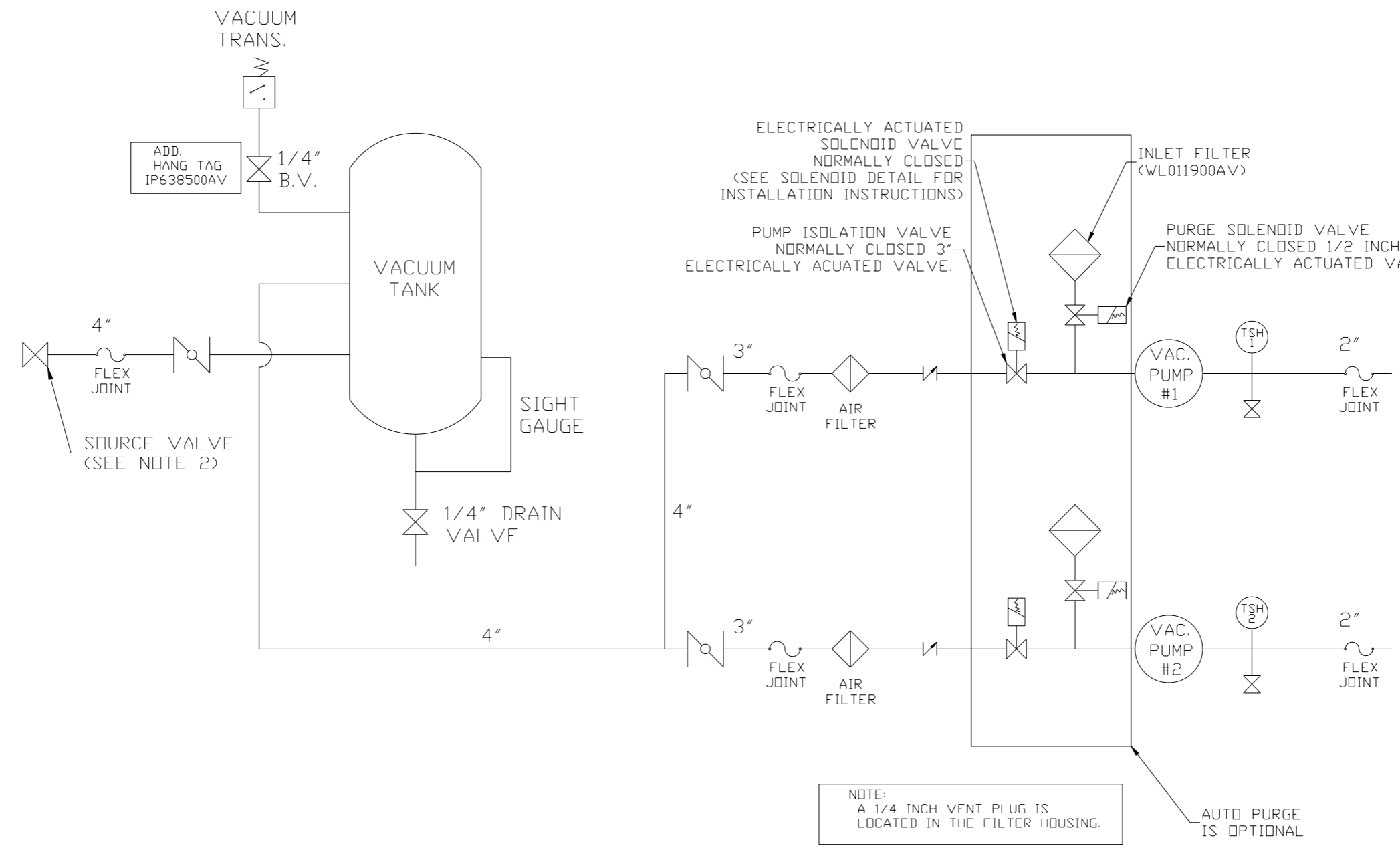


NOTE: AUTO PURGE IS OPTIONAL.

SYMBOL LEGEND ⊖ = MINUS DRAFT ⊕ = PLUS DRAFT TOLERANCES NOT SPECIFIED .XX ± .XXX ± <<DEG> ±		= ADDITIONAL CONTROL REQ'D = BRINELL HARDNESS		Drawings to conform to the current revision of the following ANSI standards: Y14.3 Multi and sectional view dgs. Y14.5M Dimensioning and tolerancing	
AUTOCAD REL2008 LT INCH		DO NOT SCALE DRAWING FOR DIMENSIONS Sheet 2 of 2 SCALE 1:18			
CONFIDENTIAL DISCLOSURE This drawing is the property of POWEREX, INC. of the SCOTT FETZER COMPANY and subject to return on demand. Its contents are confidential and must not be copied or submitted to outside parties for use or examination.		DRAWN BY BFH	CHECKED BY DMS	APPROVED BY JBC	MFG/MRKTG CT
MATERIAL N/A		11/20/12 1/2/13 1/2/13 1/2/13		 150 PRODUCTION DRIVE, HARRISON, OHIO 45030 Ph: 888-769-7979 FAX: (513) 367-3125	
PART NAME 15HP CLAW LAB VAC 200GAL DUPLEX		DWG NO LCPD1505		SIZE D	

8 7 6 5 4 3 2 1

REV	ZONE	REVISION	DATE	ECN	NAME	CHKD
B-1	ALL	RELEASE TO PRODUCTION	1/2/13	PXEC0003	BFH	GES
C-1	1 ALL	ADDED TEMP PROBE TO BUILD SHEETS	5/23/14	PXEC0048	AEK	GES
D-1	1 ALL	CHANGED PUMPS TO MM1502	08/06/15	PXEC0098	MJD	GES



NOTE:
A 1/4 INCH VENT PLUG IS
LOCATED IN THE FILTER HOUSING.

AUTO PURGE
IS OPTIONAL

LEGEND

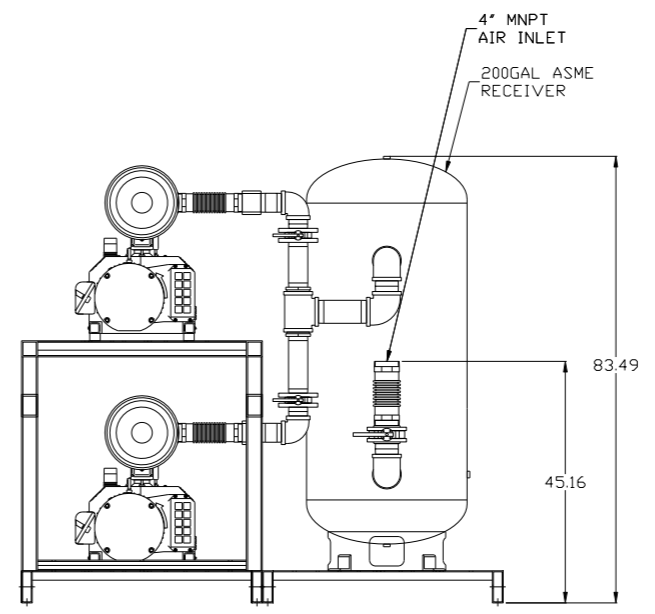
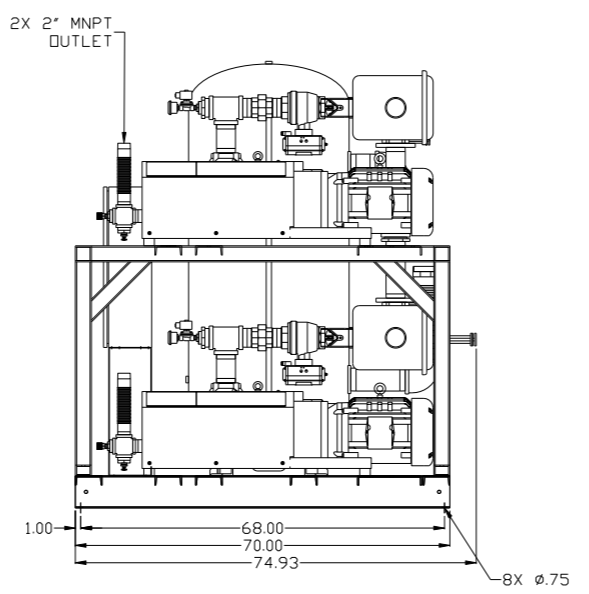
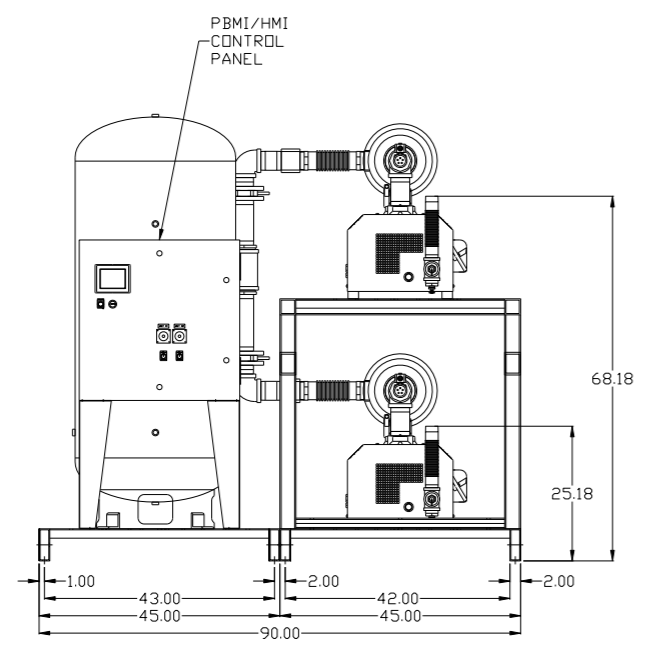
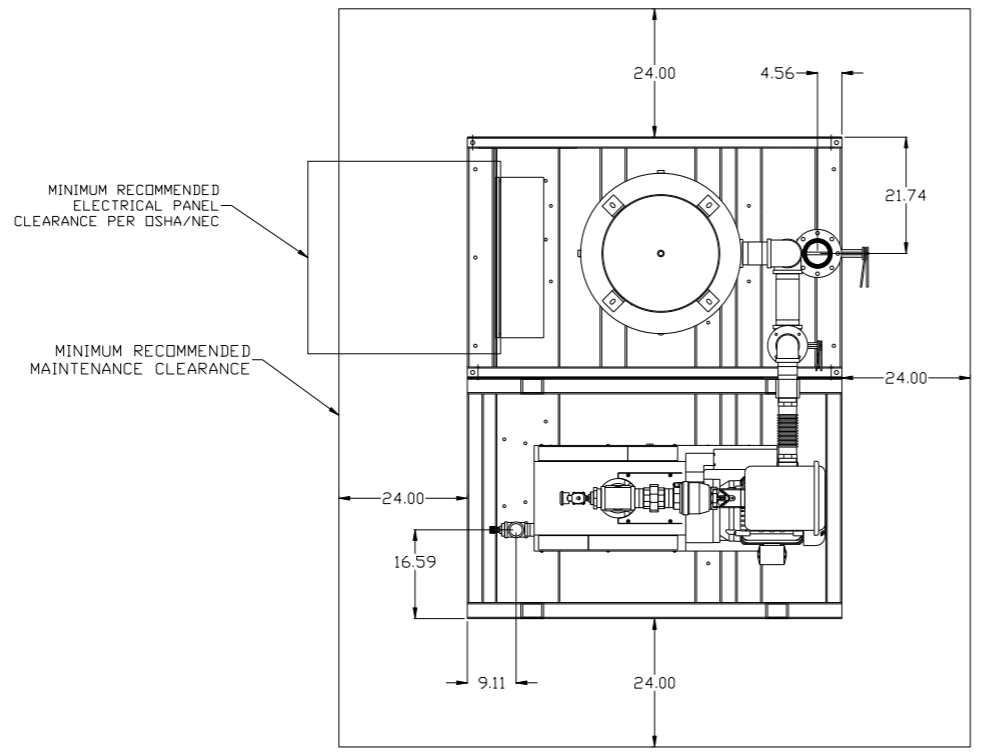
	TEMP. SWITCH		VACUUM SWITCH
	BUTTERFLY VALVE		CHECK VALVE
	AIR FILTER		FLEX LINE
	BALL VALVE		UNION

NOTE:
1) TSH - TEMPERATURE SWITCH HIGH
2) PER NFPA THE SYSTEM WILL REQUIRE A SOURCE VALVE (SUPPLIED BY OTHERS).

SYMBOL LEGEND		DO NOT SCALE DRAWING FOR DIMENSIONS	
⊖ = MINUS DRAFT	⊕ = PLUS DRAFT	⊕ = ADDITIONAL CONTROL REQ'D	⊕ = BRINELL HARDNESS
TOLERANCES NOT SPECIFIED		SCALE 1:18	
.XX ±	.XXX ±	Sheet 1 of 2	
<<DEG> ±		INCH	
CONFIDENTIAL DISCLOSURE This drawing is the property of POWEREX, INC. of the SCOTT FETZER COMPANY and subject to return on demand. Its contents are confidential and must not be copied or submitted to outside parties for use or examination.		DRAWN BY: BFH, CHECKED BY: DMS, ENGINEERING: JBC, MFG/MKTG: CT	
MATERIAL: N/A		APPROVED BY: 11/20/12, 1/2/13, 1/2/13, 1/2/13	
PART NAME: DUPLEX CLAW LAB VAC FLOW SCHEMATIC		DWG NO: LCPD1505	
		SIZE: D	

8 7 6 5 4 3 2 1

REV	ZONE	REVISION	DATE	ECN	NAME	CHKD
B-1	ALL	RELEASE TO PRODUCTION	1/2/13	PXEC0003	BFH	DMS
C-1	I ALL	ADDED TEMP PROBE TO BUILD SHEETS	5/23/14	PXEC0048	AEK	GES
D-1	I ALL	CHANGED PUMPS TO MM1502	08/06/15	PXEC0098	MJD	GES

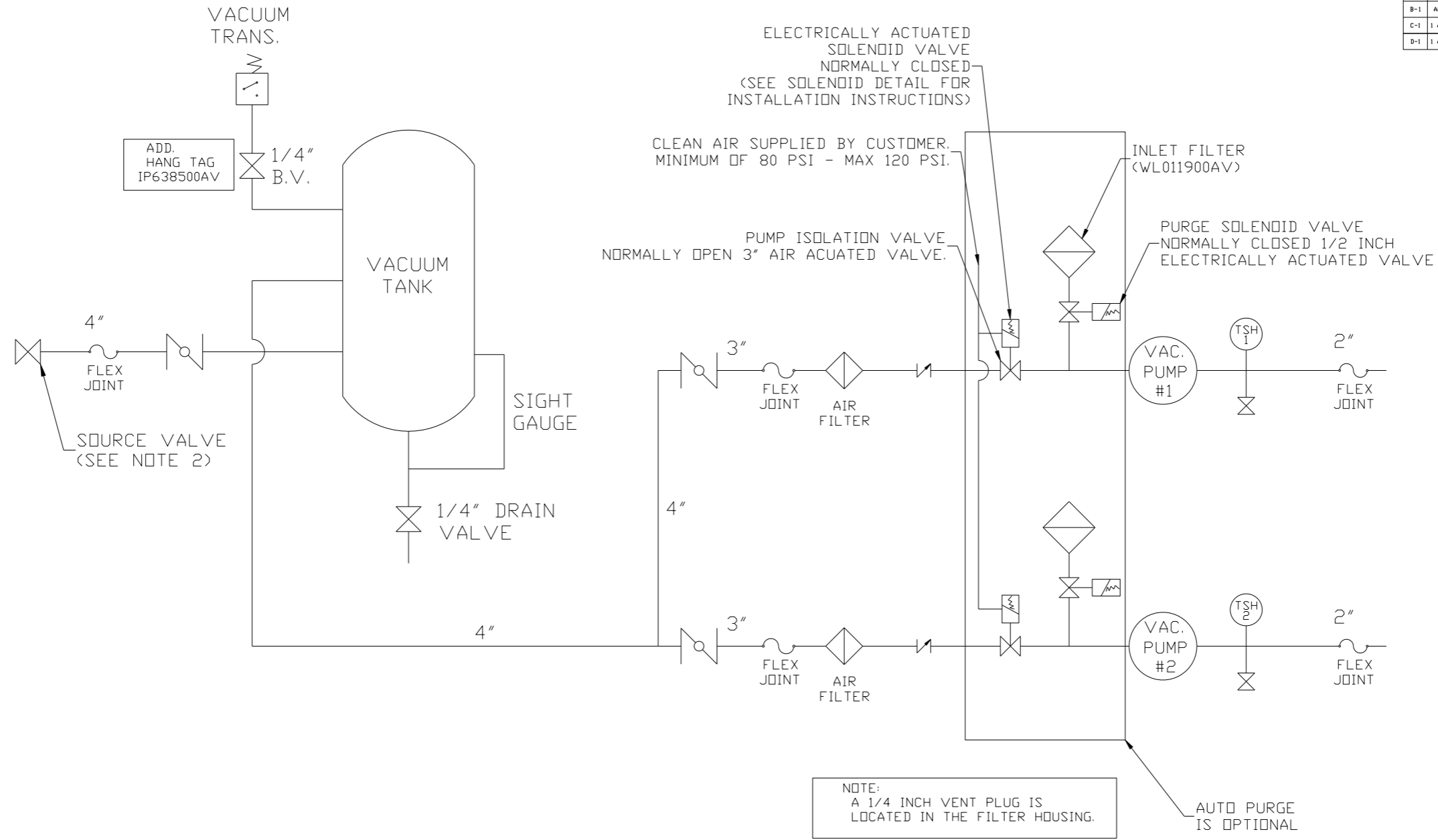


NOTE: AUTO PURGE IS OPTIONAL.

SYMBOL LEGEND ⊖ = MINUS DRAFT ⊕ = PLUS DRAFT TOLERANCES NOT SPECIFIED .XX ± .XXX ± <<DEG> ±		= ADDITIONAL CONTROL REQ'D = BRINELL HARDNESS		Drawings to conform to the current revision of the following ANSI standards: Y14.3 Multi and sectional view dgs. Y14.5M Dimensioning and tolerancing	
AUTOCAD REL2008 LT INCH		DO NOT SCALE DRAWING FOR DIMENSIONS Sheet 2 of 2 SCALE 1:18			
CONFIDENTIAL DISCLOSURE This drawing is the property of POWEREX, INC. of the SCOTT FETZER COMPANY and subject to return on demand. Its contents are confidential and must not be copied or submitted to outside parties for use or examination.		DRAWN BY BFH	CHECKED BY DMS	APPROVED BY JBC	MFG/MKTG CT
MATERIAL N/A		11/20/12 1/2/13 1/2/13 1/2/13		 150 PRODUCTION DRIVE, HARRISON, OHIO 45030 Ph: 888-769-7979 FAX: (513) 367-3125	
PART NAME 15HP CLAW LAB VAC 200GAL DUPLEX		DWG NO LCPD1505		SIZE D	

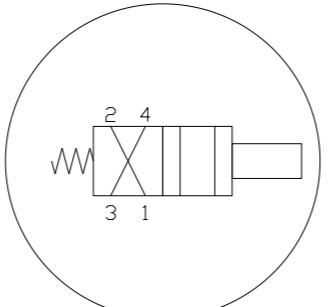
8 7 6 5 4 3 2 1

REV	ZONE	REVISION	DATE	ECN	NAME	CHKD
B-1	ALL	RELEASE TO PRODUCTION	1/2/13	PXEC0003	BFH	GES
C-1	1 ALL	ADDED TEMP PROBE TO BUILD SHEETS	5/23/14	PXEC0048	AEK	GES
D-1	1 ALL	CHANGED PUMPS TO MM502	08/06/15	PXEC0098	MJD	GES



LEGEND

	TEMP. SWITCH		VACUUM SWITCH
	BUTTERFLY VALVE		CHECK VALVE
	AIR FILTER		FLEX LINE
	BALL VALVE		UNION

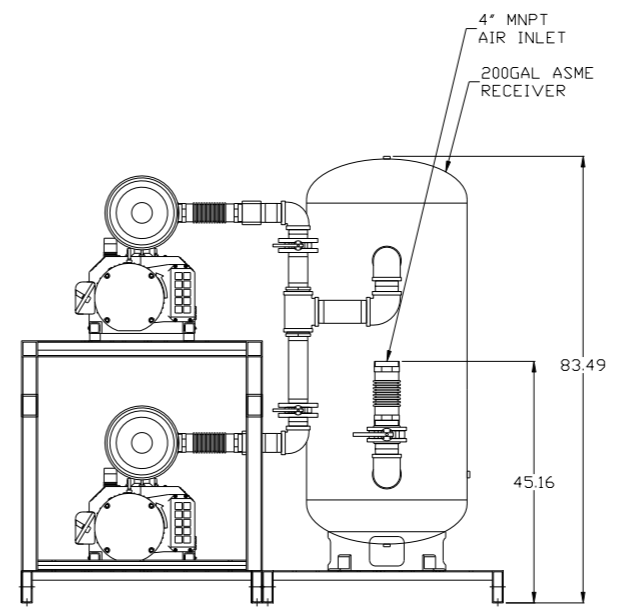
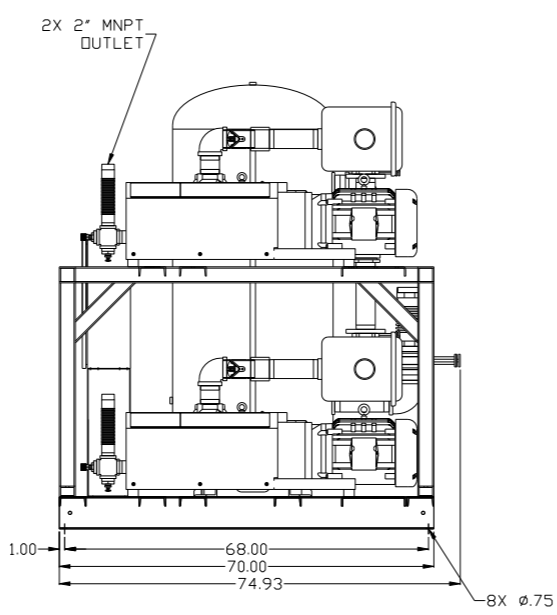
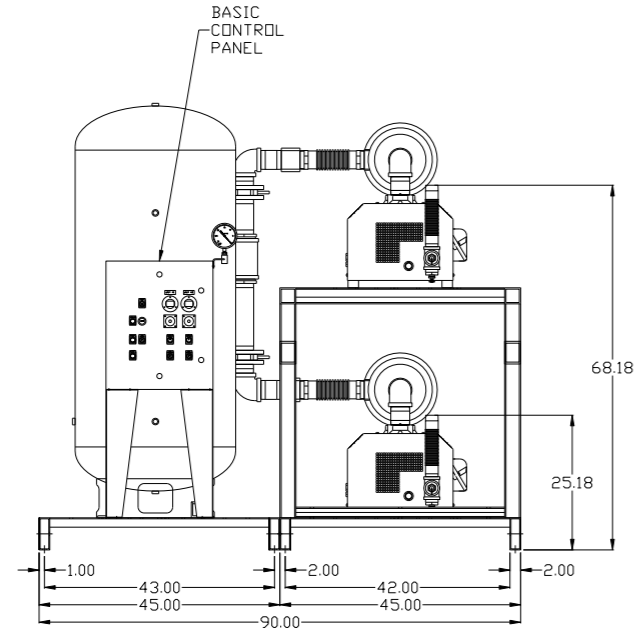
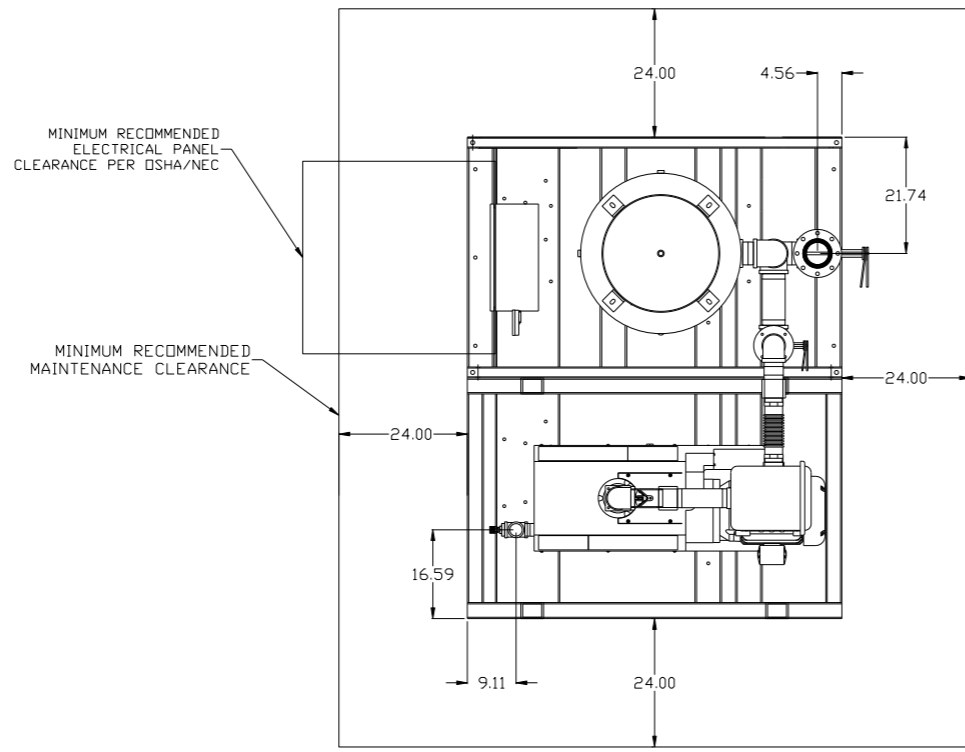


SOLENOID DETAIL:
 1) VALVE - INPUT #1
 2) MUFFLER - INPUT #2
 3) SUPPLY AIR - INPUT #4

NOTE:
 1) TSH - TEMPERATURE SWITCH HIGH
 2) PER NFPA THE SYSTEM WILL REQUIRE A SOURCE VALVE (SUPPLIED BY OTHERS).

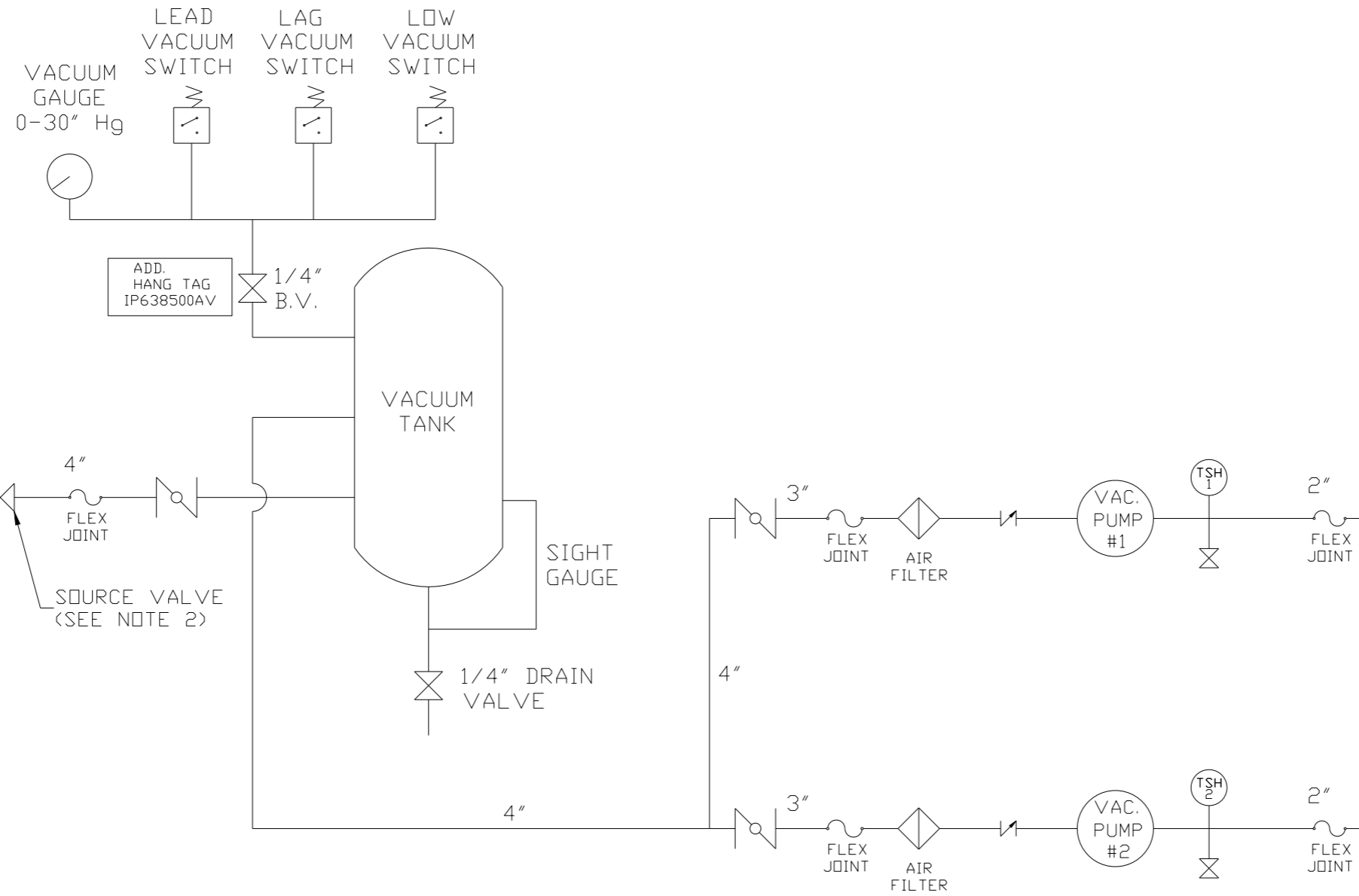
SYMBOL LEGEND		= ADDITIONAL CONTROL REQ'D		Drawings to conform to the current revision of the following ANSI standards:	
⊖	MINUS DRAFT	⊕	PLUS DRAFT	⊖	BRINELL HARDNESS
TOLERANCES NOT SPECIFIED		AUTOCAD REL2008 LT		DO NOT SCALE DRAWING FOR DIMENSIONS	
.XX ±		INCH		Sheet 1 of 2	SCALE 1:18
CONFIDENTIAL DISCLOSURE: This drawing is the property of POWEREX, INC. of the SCOTT FETZER COMPANY and subject to return on demand. Its contents are confidential and must not be copied or submitted to outside parties for use or examination.					
DRAWN BY	CHECKED BY	ENGINEERING	MFG/MKTG		
BFH	DMS	JBC	CT		
11/20/12	1/2/13	1/2/13	1/2/13		
MATERIAL N/A		 150 PRODUCTION DRIVE, HARRISON, OHIO 45030 Ph: 888-769-7979 FAX: (513) 367-3125			
PART NAME		DWG NO		SIZE	
DUPLIX CLAW LAB VAC FLOW SCHEMATIC		LCPD1505		D	

REV	ZONE	REVISION	DATE	ECN	NAME	CHKD
B-1	ALL	RELEASE TO PRODUCTION	1/2/13	PXEC0003	BFH	DMS
C-1	I ALL	ADDED TEMP PROBE TO BUILD SHEETS	5/23/14	PXEC0048	AEK	GES
D-1	I ALL	CHANGED PUMPS TO MM1502	08/06/15	PXEC0098	MJD	GES



SYMBOL LEGEND ⊖ = MINUS DRAFT ⊕ = PLUS DRAFT TOLERANCES NOT SPECIFIED .XX ± .XXX ± << DEG > ±		= ADDITIONAL CONTROL REQ'D = BRINELL HARDNESS Drawings to conform to the current revision of the following ANSI standards: Y14.3 Multi and sectional view dgs. Y14.5M Dimensioning and tolerancing	
AUTOCAD REL2008 LT INCH		DO NOT SCALE DRAWING FOR DIMENSIONS Sheet 2 of 2 SCALE 1:18	
CONFIDENTIAL DISCLOSURE This drawing is the property of POWEREX, INC. of the SCOTT FETZER COMPANY and subject to return on demand. Its contents are confidential and must not be copied or submitted to outside parties for use or examination.		DRAWN BY BFH	CHECKED BY DMS
MATERIAL N/A		APPROVED BY JBC	MFG/MKTG CT
PART NAME 15HP CLAW LAB VAC 200GAL DUPLEX		DATE 11/20/12	DATE 1/2/13 1/2/13 1/2/13
DWG NO LCPD1505		SIZE D	

REV	ZONE	REVISION	DATE	ECN	NAME	CHKD
B-1	ALL	RELEASE TO PRODUCTION	1/2/13	PXEC0003	BFH	GES
C-1	I ALL	ADDED TEMP PROBE TO BUILD SHEETS	5/23/14	PXEC0048	AEK	GES
D-1	I ALL	CHANGED PUMPS TO MM1502	08/06/15	PXEC0098	MJD	GES



NOTE:
A 1/4 INCH VENT PLUG IS
LOCATED IN THE FILTER HOUSING.

LEGEND	
	TEMP. SWITCH
	BUTTERFLY VALVE
	AIR FILTER
	BALL VALVE
	VACUUM SWITCH
	CHECK VALVE
	FLEX LINE
	UNION

NOTE:
1) TSH - TEMPERATURE SWITCH HIGH
2) PER NFPA THE SYSTEM WILL REQUIRE A SOURCE VALVE (SUPPLIED BY OTHERS).

SYMBOL LEGEND		AUTOCAD REL2008 LT		DO NOT SCALE DRAWING FOR DIMENSIONS	
	MINUS DRAFT		ADDITIONAL CONTROL REQ'D	Drawings to conform to the current revision of the following ANSI standards:	
	PLUS DRAFT		BRINELL HARDNESS	Y14.3 Multi and sectional view dsgs. Y14.5M Dimensioning and tolerancing	
TOLERANCES NOT SPECIFIED	.XX ± .XXX ± ∠(DEG.) ±	SCALE	INCH	Sheet 1 of 2	1:18
CONFIDENTIAL DISCLOSURE This drawing is the property of POWEREX, INC. of the SCOTT FETZER COMPANY and subject to return on demand. Its contents are confidential and must not be copied or submitted to outside parties for use or examination.		DRAWN BY	CHECKED BY	APPROVED BY	MFG/MRKTG
		BFH	DMS	JBC	CT
		11/20/12	1/2/13	1/2/13	1/2/13
MATERIAL		N/A			
PART NAME		DUPLX CLAW LAB VAC			
		FLOW SCHEMATIC			
		DWG NO		SIZE	
		LCPD1505		D	