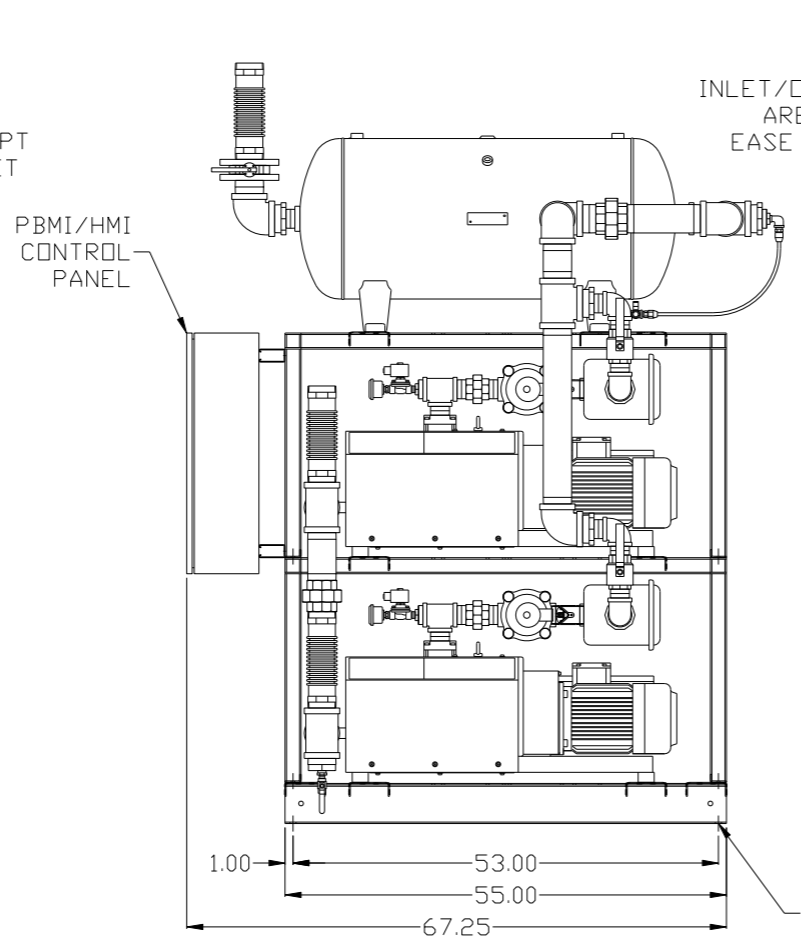
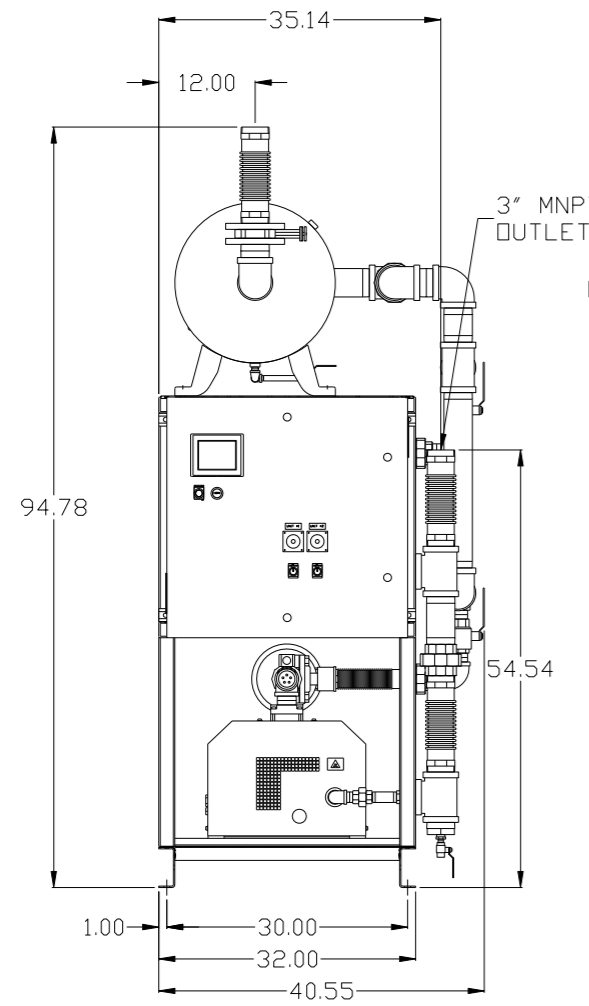
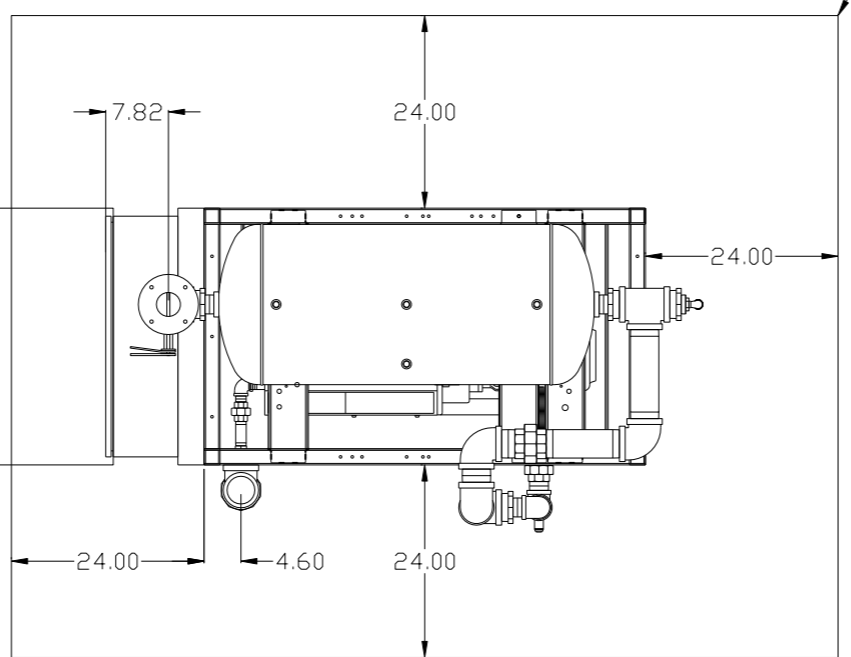


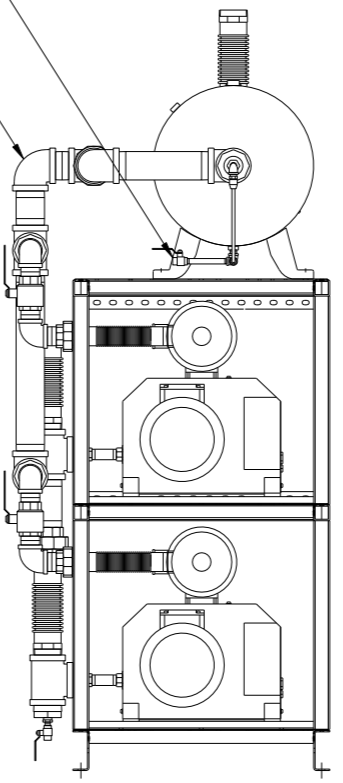
REV	ZONE	REVISION	DATE	ECN	NAME	CHKD
B-1	ALL	RELEASE TO PRODUCTION	1/2/13	PXEC0003	AEK	DMS

MINIMUM RECOMMENDED ELECTRICAL PANEL CLEARANCE PER OSHA/NEC

MINIMUM RECOMMENDED MAINTENANCE CLEARANCE



MANUAL DRAIN W/ SIGHT GAUGE
INLET/OUTLET MANIFOLDS ARE REMOVABLE FOR EASE OF INSTALLATION

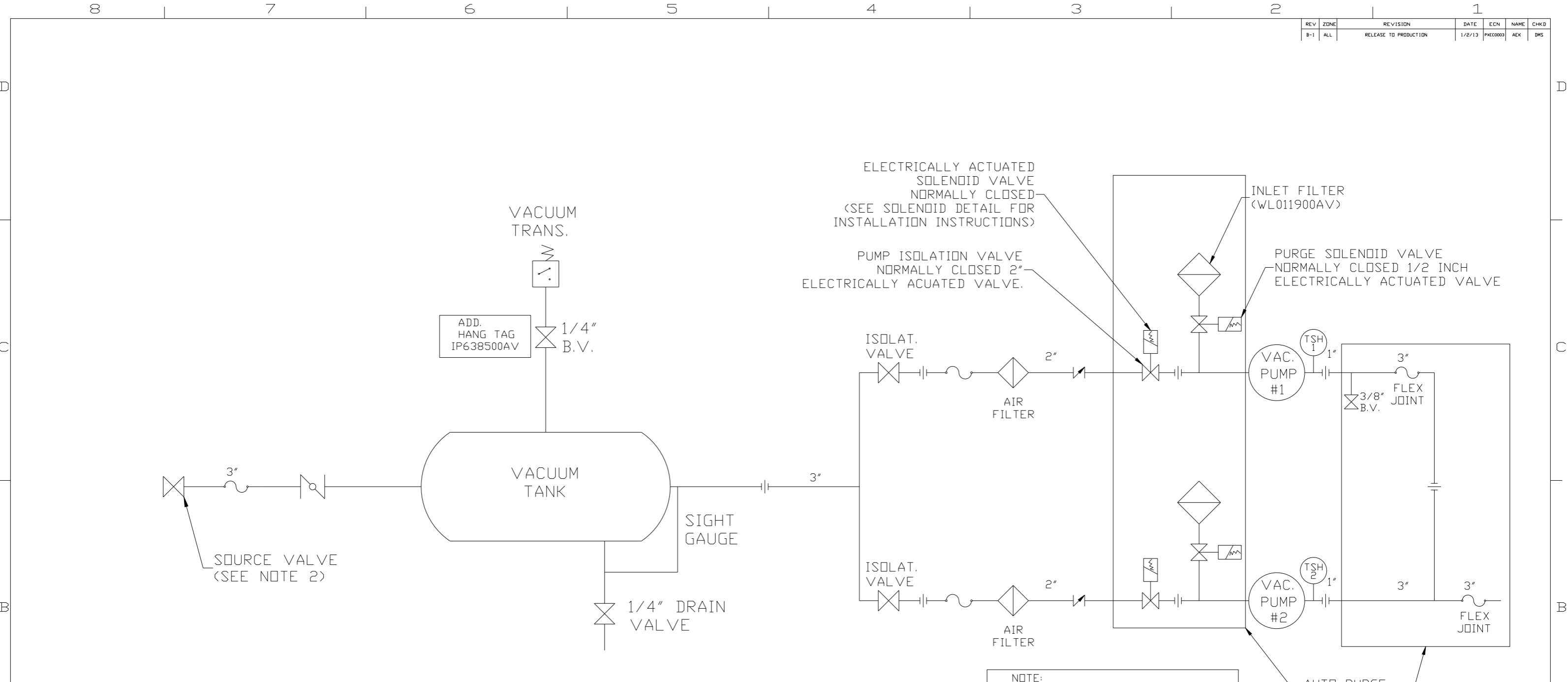


NOTE: EXHAUST MANIFOLD SHIPPED LOOSE FOR FIELD INSTALLATION.

NOTE: AUTO PURGE IS OPTIONAL.

SYMBOL LEGEND ⊖ = MINUS DRAFT ⊕ = PLUS DRAFT ∅ = ADDITIONAL CONTROL REQ'D HB = BRINELL HARDNESS		Drawings to conform to the current revision of the following ANSI standards: Y14.3 Multi and sectional view dsgs. Y14.5M Dimensioning and tolerancing	
TOLERANCES NOT SPECIFIED .XX ± .XXX ± \angle (DEG) ±		DO NOT SCALE DRAWING FOR DIMENSIONS Sheet 2 of 2 SCALE 1:16	
CONFIDENTIAL DISCLOSURE This drawing is the property of POWEREX, INC. of the SCOTT FETZER COMPANY and subject to return on demand. Its contents are confidential and must not be copied or submitted to outside parties for use or examination.			
DRAWN BY AEK		CHECKED BY DMS	
APPROVED BY JBC		MFG/MRKTG CT	
DATE 1/2/13		DATE 1/2/13	
MATERIAL N/A		PART NAME 9. 1HP LAB CLAW VAC 60GAL DUPLEX	
DWG NO LCPDT0902		SIZE D	

REV	ZONE	REVISION	DATE	ECN	NAME	CHKD
B-1	ALL	RELEASE TO PRODUCTION	1/2/13	PKC0003	AEK	DMS



ELECTRICALLY ACTUATED SOLENOID VALVE NORMALLY CLOSED (SEE SOLENOID DETAIL FOR INSTALLATION INSTRUCTIONS)

PUMP ISOLATION VALVE NORMALLY CLOSED 2" ELECTRICALLY ACUATED VALVE.

INLET FILTER (WL011900AV)

PURGE SOLENOID VALVE NORMALLY CLOSED 1/2 INCH ELECTRICALLY ACTUATED VALVE

NOTE:
A 1/4 INCH VENT PLUG IS LOCATED IN THE FILTER HOUSING.

LEGEND

	TEMP. SWITCH		VACUUM SWITCH
	AIR FILTER		CHECK VALVE
	BALL VALVE		FLEX LINE
	BUTTERFLY VALVE		UNION

NOTE:
1) TSH - TEMPERATURE SWITCH HIGH
2) PER NFPA THE SYSTEM WILL REQUIRE A SOURCE VALVE (SUPPLIED BY OTHERS).

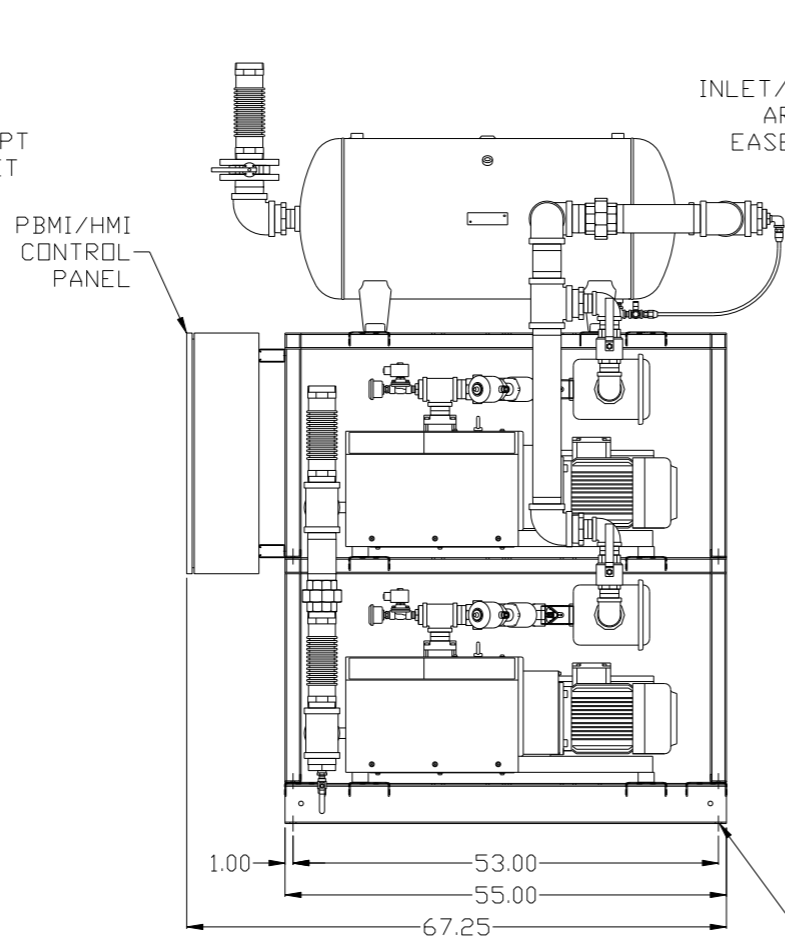
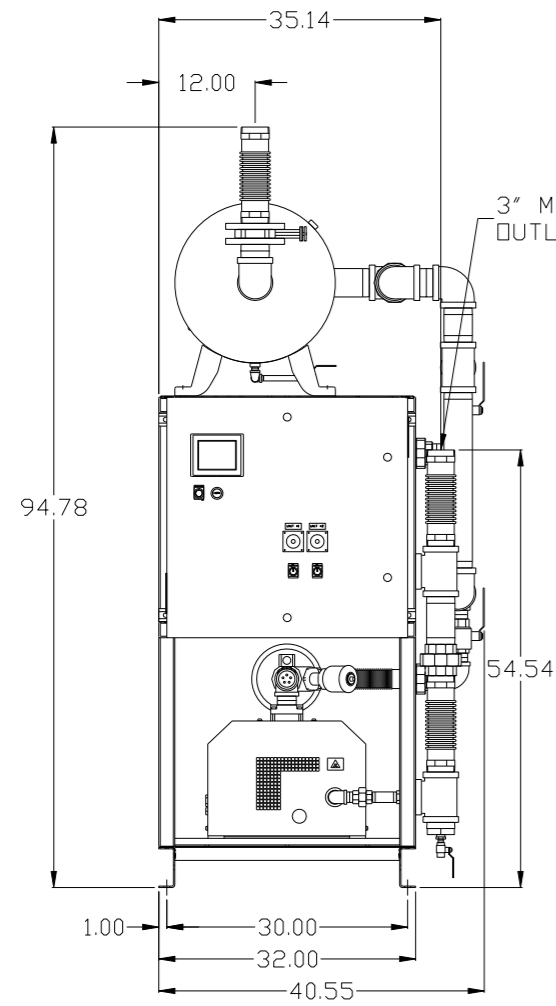
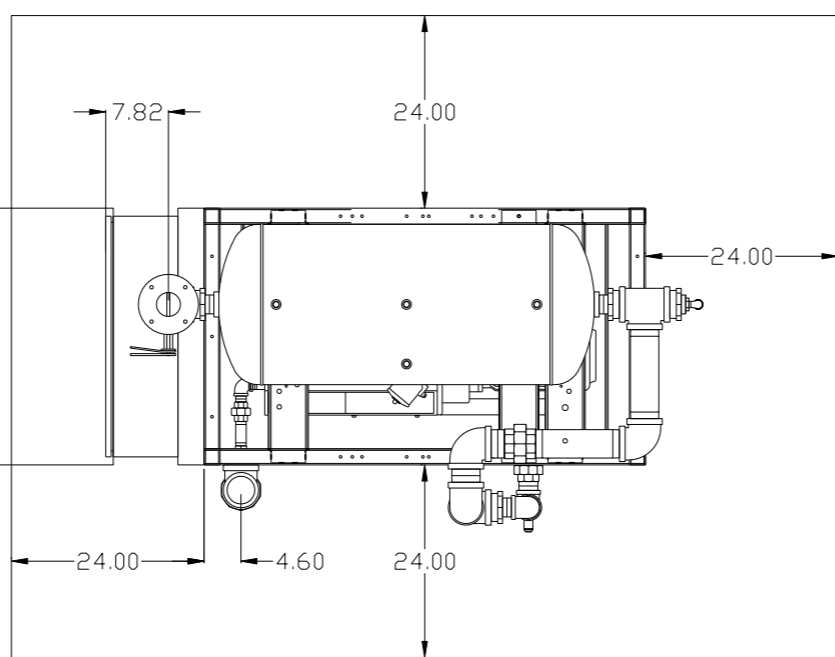
EXHAUST MANIFOLD SHIPPED LOOSE FOR FIELD INSTALLATION.

SYMBOL LEGEND		= ADDITIONAL CONTROL REQ'D		Drawings to conform to the current revision of the following ANSI standards	
⊖ = MINUS DRAFT		= BRINELL HARDNESS		Y14.3 Multi and sectional view dgs. Y14.5M Dimensioning and tolerancing	
⊕ = PLUS DRAFT					
TOLERANCES NOT SPECIFIED		AUTOCAD REL2008 LT		DO NOT SCALE DRAWING FOR DIMENSIONS	
.XX ±		INCH		Sheet 2 of 2	
.XXX ±				SCALE 1:16	
∠(DEG) ±					
CONFIDENTIAL DISCLOSURE This drawing is the property of POWEREX, INC. of the SCOTT FETZER COMPANY and subject to return on demand. Its contents are confidential and must not be copied or submitted to outside parties for use or examination.					
DRAWN BY		CHECKED BY		APPROVED BY	
AEK		DMS		JBC CT	
1/2/13		1/2/13		1/2/13 1/2/13	
MATERIAL		N/A		 150 PRODUCTION DRIVE, HARRISON, OHIO 43020 Ph: 888-769-7979 FAX: (513) 367-3125	
PART NAME		LCPDPT0902		SIZE D	
DUPLX CLAW VAC PACKAGE		FLOW SCHEMATIC		LVPDT0902B.dwg	

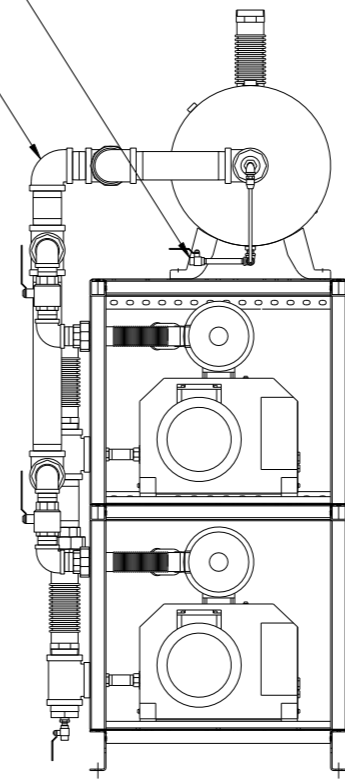
REV	ZONE	REVISION	DATE	ECN	NAME	CHKD
B-1	ALL	RELEASE TO PRODUCTION	1/2/13	PXEC0003	AEK	DMS

MINIMUM RECOMMENDED ELECTRICAL PANEL CLEARANCE PER OSHA/NEC

MINIMUM RECOMMENDED MAINTENANCE CLEARANCE



MANUAL DRAIN W/ SIGHT GAUGE
INLET/OUTLET MANIFOLDS ARE REMOVABLE FOR EASE OF INSTALLATION

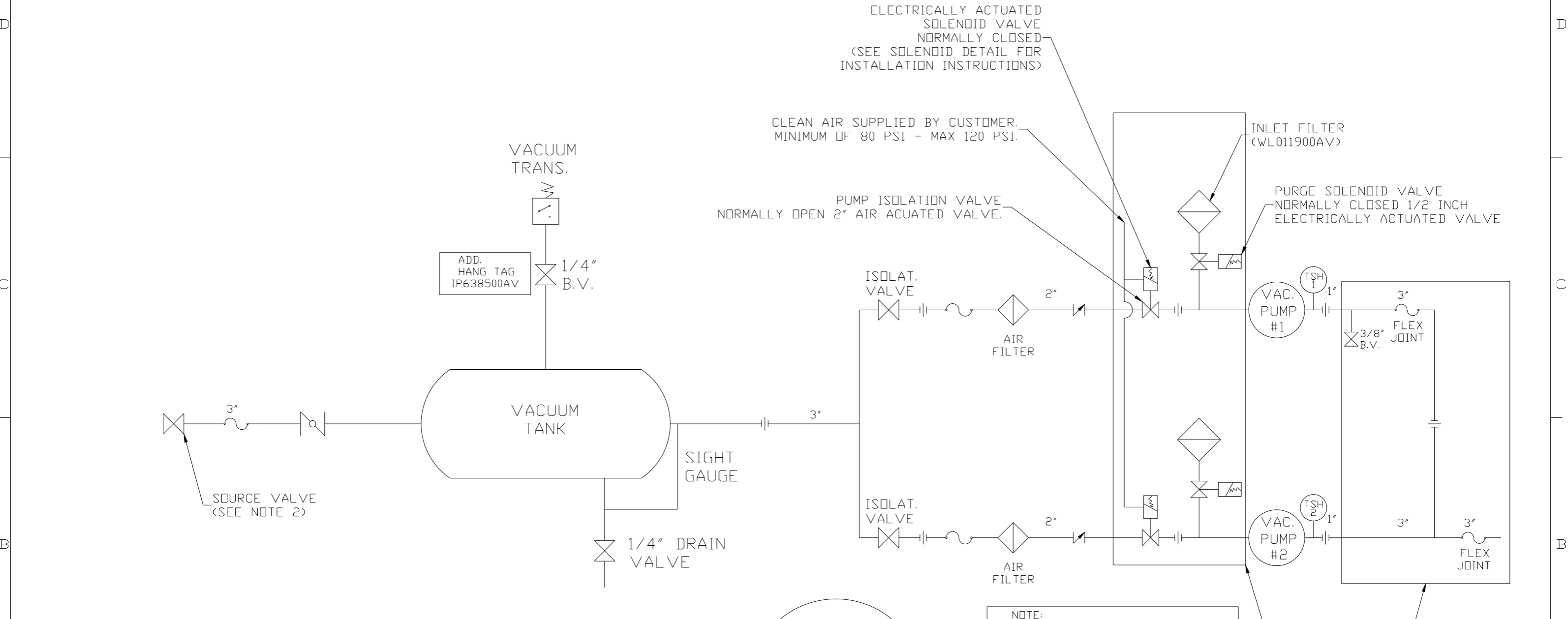


NOTE: EXHAUST MANIFOLD SHIPPED LOOSE FOR FIELD INSTALLATION.

NOTE: AUTO PURGE IS OPTIONAL.

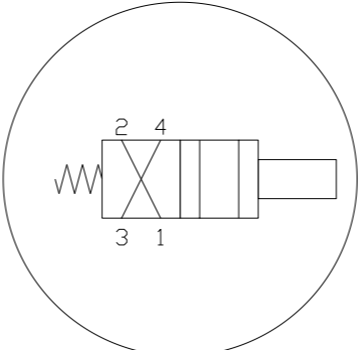
SYMBOL LEGEND ⊖ = MINUS DRAFT ⊕ = PLUS DRAFT ∅ = ADDITIONAL CONTROL REQ'D HB = BRINELL HARDNESS		Drawings to conform to the current revision of the following ANSI standards: Y14.3 Multi and sectional view dsgs. Y14.5M Dimensioning and tolerancing	
TOLERANCES NOT SPECIFIED .XX ± .XXX ± \angle (DEG) ±		DO NOT SCALE DRAWING FOR DIMENSIONS AUTOCAD REL2008 LT INCH Sheet 2 of 2 SCALE 1:16	
CONFIDENTIAL DISCLOSURE This drawing is the property of POWEREX, INC. of the SCOTT FETZER COMPANY and subject to return on demand. Its contents are confidential and must not be copied or submitted to outside parties for use or examination.		DRAWN BY: AEK CHECKED BY: DMS APPROVED BY: JBC, CT 1/2/13, 1/2/13, 1/2/13, 1/2/13	
MATERIAL: N/A		PART NAME: 9. 1HP LAB CLAW VAC 60GAL DUPLEX	
DWG NO: LCPDT0902		SIZE: D	

REV	ZONE	REVISION	DATE	ECN	NAME	CHKD
B-1	ALL	RELEASE TO PRODUCTION	1/2/13	PKC0003	AEK	DMS



LEGEND

	TEMP. SWITCH		VACUUM SWITCH
	AIR FILTER		CHECK VALVE
	BALL VALVE		FLEX LINE
			UNION



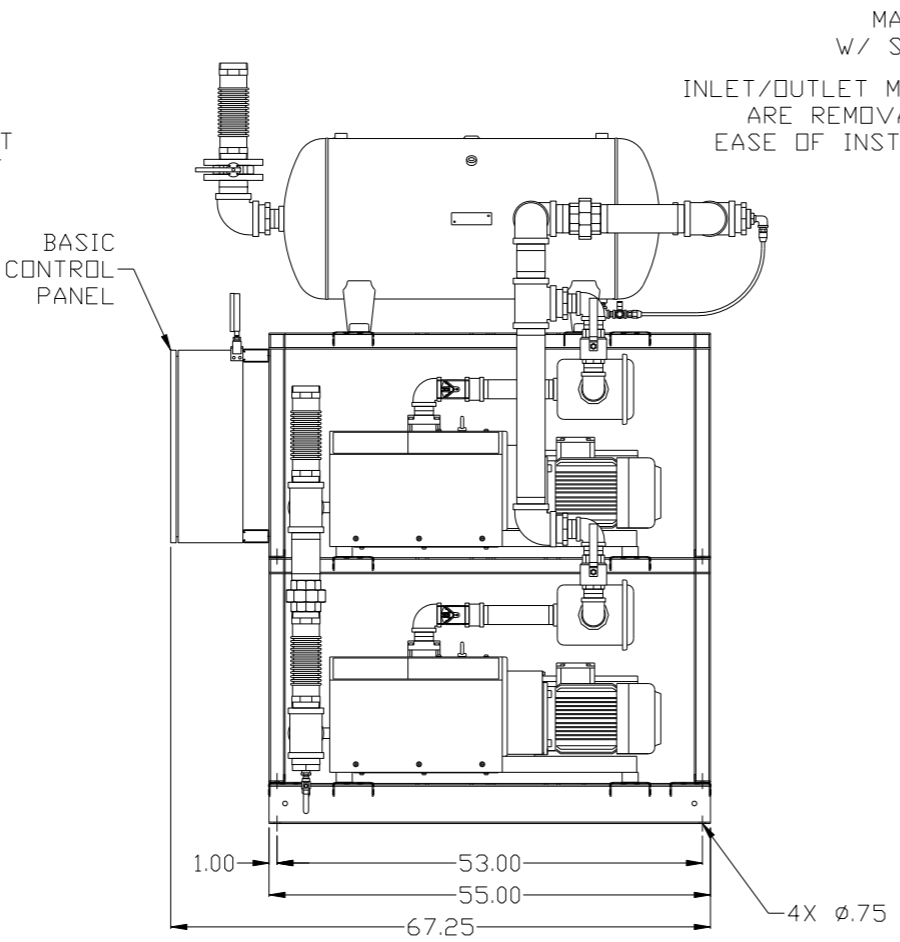
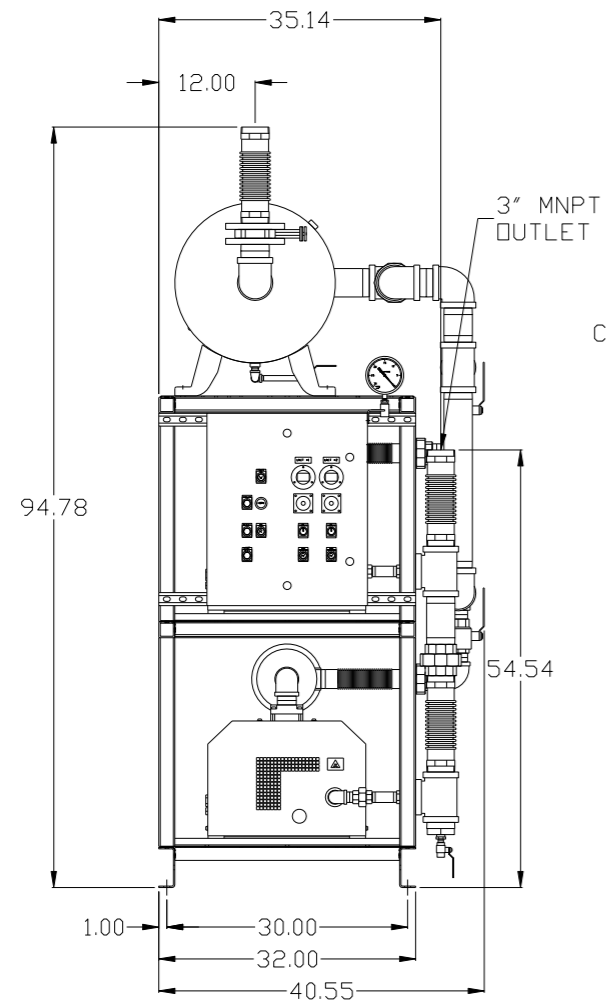
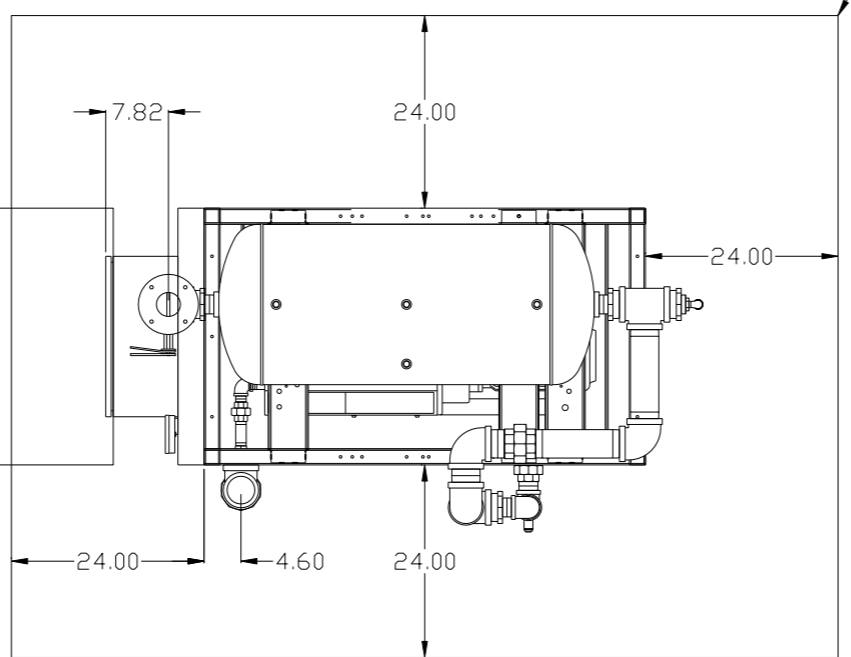
NOTE:
 1) TSH - TEMPERATURE SWITCH HIGH
 2) PER NFPA THE SYSTEM WILL REQUIRE A SOURCE VALVE (SUPPLIED BY OTHERS).

SYMBOL LEGEND			ADDITIONAL CONTROL REQ'D	Drawings to conform to the current revision of the following ANSI standards:	
	MINUS DRAFT		BRINELL HARDNESS	Y14.3 Multi and sectional view dgs. Y14.5M Dimensioning and tolerancing	
TOLERANCES NOT SPECIFIED		AUTOCAD REL2008 LT		DO NOT SCALE DRAWING FOR DIMENSIONS	
.XX ±		INCH		SCALE 1:16	
CONFIDENTIAL DISCLOSURE This drawing is the property of POWEREX, INC. of the SCOTT FELTZER COMPANY and subject to return on demand. Its contents are confidential and must not be copied or submitted to outside parties for use or examination.					
DRAWN BY	CHECKED BY	APPROVED BY	DATE	DATE	DATE
AEK	DMS	JBC	1/2/13	1/2/13	1/2/13
MATERIAL		N/A			
PART NAME		DUPLX CLAW VAC PACKAGE		150 PRODUCTION DRIVE, HARRISON, OHIO 45030 Ph: 888-769-7979 FAX: (513) 367-3125	
DWG NO		LCPDT0902		SIZE D	
FLOW SCHEMATIC				LVPDT0902B.dwg	

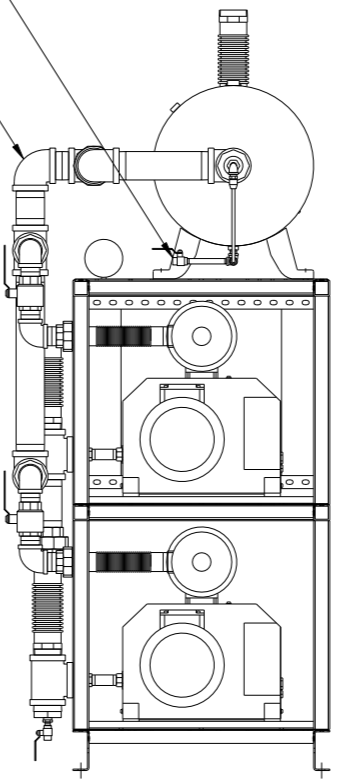
REV	ZONE	REVISION	DATE	ECN	NAME	CHKD
B-1	ALL	RELEASE TO PRODUCTION	1/2/13	PXEC0003	AEK	DMS

MINIMUM RECOMMENDED ELECTRICAL PANEL CLEARANCE PER OSHA/NEC

MINIMUM RECOMMENDED MAINTENANCE CLEARANCE



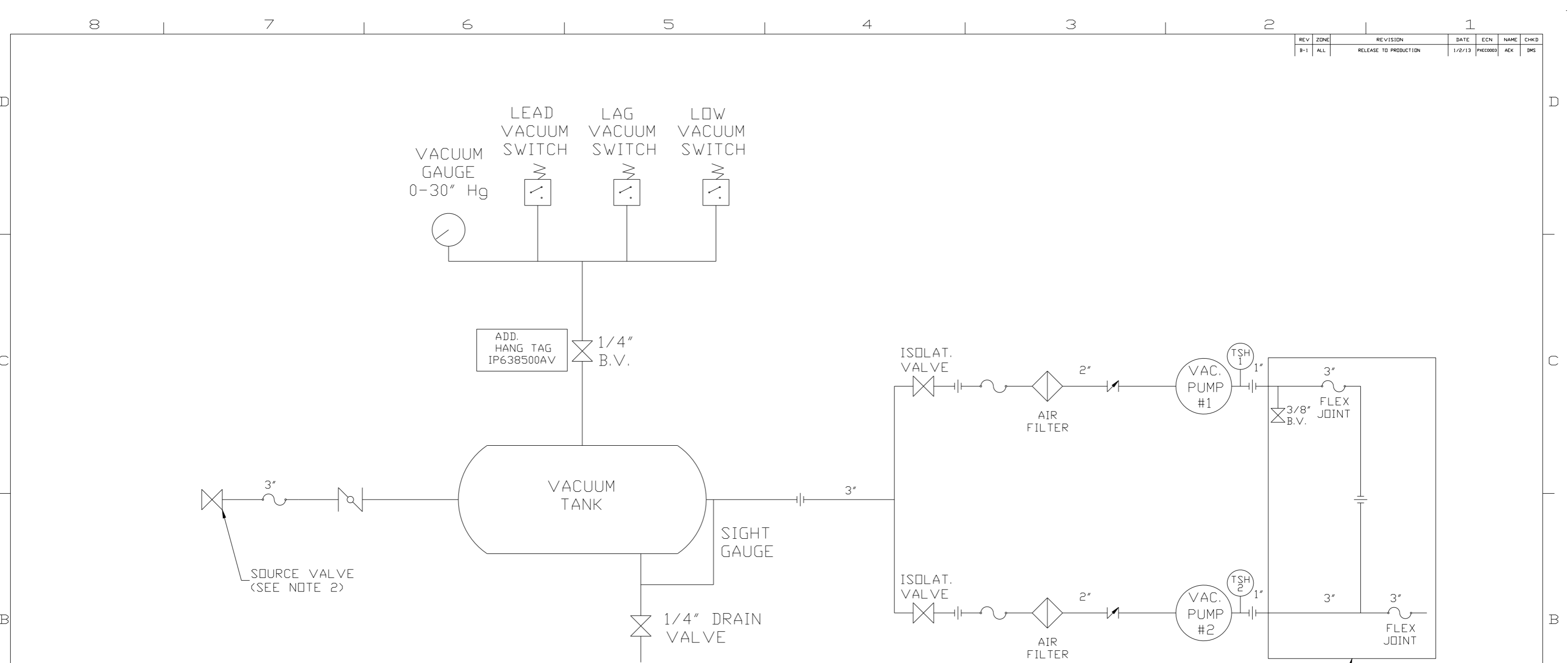
MANUAL DRAIN W/ SIGHT GAUGE
INLET/OUTLET MANIFOLDS ARE REMOVABLE FOR EASE OF INSTALLATION



NOTE: EXHAUST MANIFOLD SHIPPED LOOSE FOR FIELD INSTALLATION.

SYMBOL LEGEND ⊖ = MINUS DRAFT ⊕ = PLUS DRAFT Ⓢ = ADDITIONAL CONTROL REQ'D Ⓜ = BRINELL HARDNESS		Drawings to conform to the current revision of the following ANSI standards: Y14.3 Multi and sectional view dgs. Y14.5M Dimensioning and tolerancing	
TOLERANCES NOT SPECIFIED .XX ± .XXX ± \angle DEG ±		DO NOT SCALE DRAWING FOR DIMENSIONS SCALE: 1:16	
AUTOCAD REL2008 LT INCH		Sheet 2 of 2	
CONFIDENTIAL DISCLOSURE This drawing is the property of POWEREX, INC. of the SCOTT FEITZER COMPANY and subject to return on demand. Its contents are confidential and must not be copied or submitted to outside parties for use or examination.			
DRAWN BY AEK	CHECKED BY DMS	APPROVED BY JBC	MFG/MKTG CT
1/2/13	1/2/13	1/2/13	1/2/13
MATERIAL N/A		POWEREX 150 PRODUCTION DRIVE, HARRISON, OHIO 45030 Ph: 888-769-7979 FAX: (513) 367-3125	
PART NAME 9. 1HP LAB CLAW VAC 60GAL DUPLEX		DWG NO LCPDT0902	SIZE D

REV	ZONE	REVISION	DATE	ECN	NAME	CHKD
B-1	ALL	RELEASE TO PRODUCTION	1/2/13	PXEC0003	AEK	DMS



NOTE:
A 1/4 INCH VENT PLUG IS
LOCATED IN THE FILTER HOUSING.

EXHAUST MANIFOLD SHIPPED LOOSE
FOR FIELD INSTALLATION.

LEGEND

	TEMP. SWITCH		VACUUM SWITCH
	AIR FILTER		CHECK VALVE
	BALL VALVE		FLEX LINE
			UNION

NOTE:
1) TSH - TEMPERATURE SWITCH HIGH
2) PER NFPA THE SYSTEM WILL REQUIRE A SOURCE VALVE (SUPPLIED BY OTHERS).

SYMBOL LEGEND ⊖ = MINUS DRAFT ⊕ = PLUS DRAFT TOLERANCES NOT SPECIFIED .XX ± .XXX ± \angle (DEG) ±		⊕ = ADDITIONAL CONTROL REQ'D HB = BRINELL HARDNESS	Drawings to conform to the current revision of the following ANSI standards: Y14.3 Multi and sectional view dgs. Y14.5M Dimensioning and tolerancing
AUTOCAD REL2008 LT INCH		DO NOT SCALE DRAWING FOR DIMENSIONS SCALE 1:16	
CONFIDENTIAL DISCLOSURE This drawing is the property of POWEREX, INC. of the SCOTT FETZER COMPANY and subject to return on demand. Its contents are confidential and must not be copied or submitted to outside parties for use or examination.		DRAWN BY AEK	CHECKED BY DMS
MATERIAL N/A		APPROVED BY JBC	MFG/MKTG CT
PART NAME DUPLEX CLAW VAC PACKAGE		DATE 1/2/13	DATE 1/2/13
FLOW SCHEMATIC		DWG NO LCPDT0902	