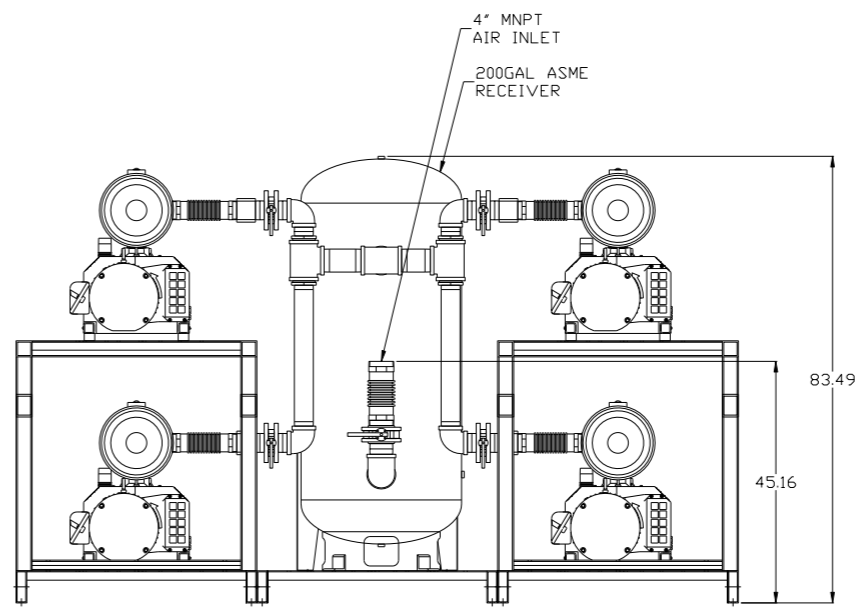
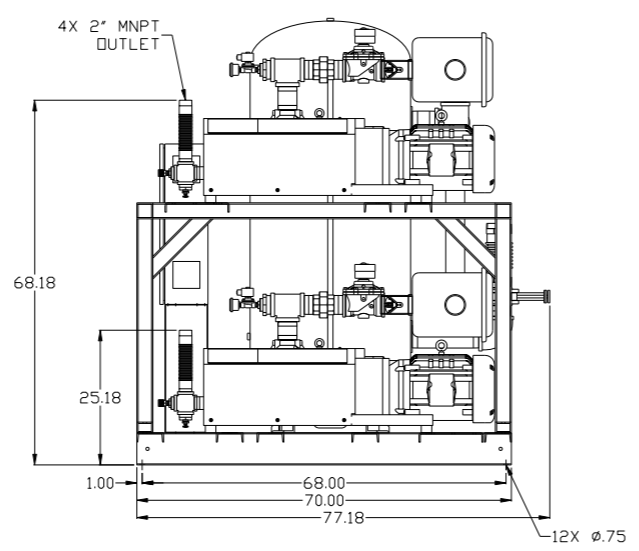
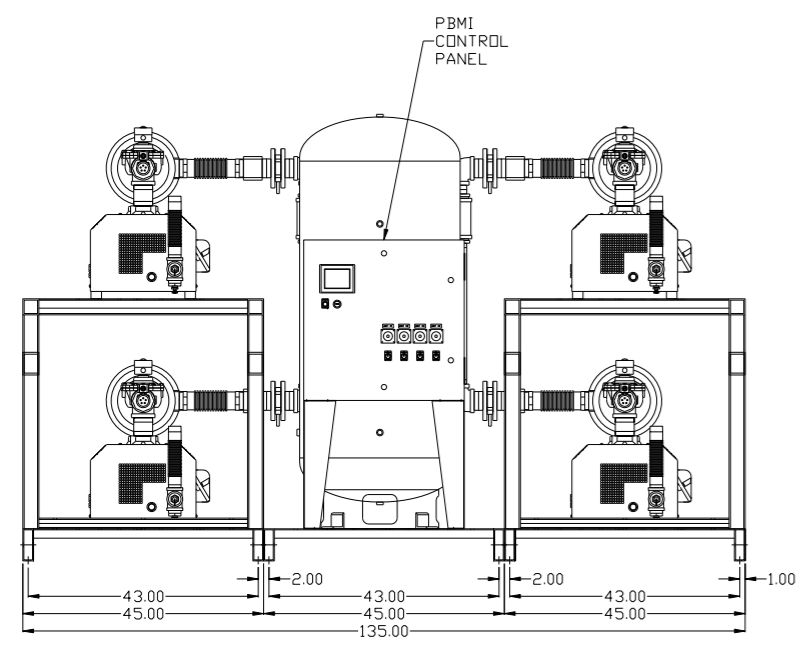
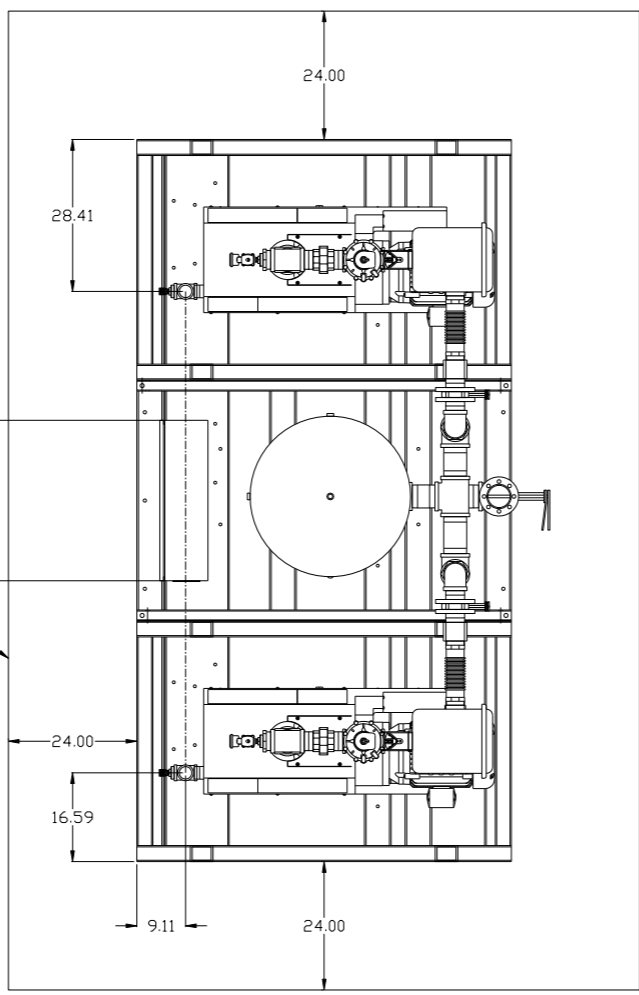


8 7 6 5 4 3 2 1

REV	ZONE	REVISION	DATE	ECN	NAME	CHKD
B-1	ALL	RELEASE TO PRODUCTION	1/18/13	PKEC0003	AEK	DMS
C-1	ALL	UPDATED TO MM1502 PUMP	8/6/15	PKEC0098	AEK	GES

MINIMUM RECOMMENDED ELECTRICAL PANEL CLEARANCE PER OSHA/NEC REQUIREMENTS

MINIMUM RECOMMENDED MAINTENANCE CLEARANCE

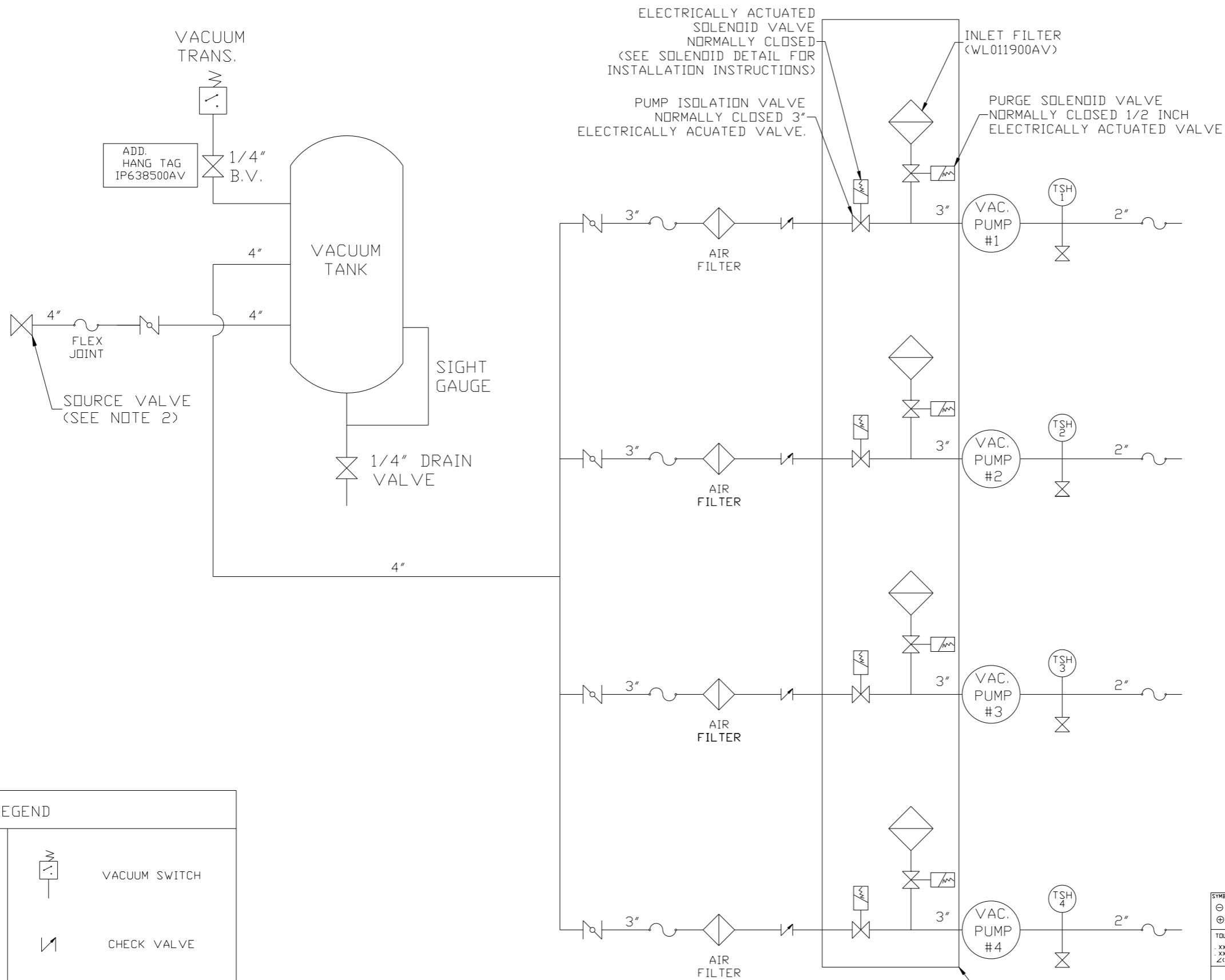


NOTE: AUTO PURGE IS OPTIONAL.

SYMBOL LEGEND ⊖ = MINUS DRAFT ⊕ = PLUS DRAFT Ⓢ = ADDITIONAL CONTROL REQ'D Ⓢ = BRINELL HARDNESS		Drawings to conform to the current revision of the following ANSI standards: Y14.3 Multi and sectional view dsgs. Y14.5M Dimensioning and tolerancing	
TOLERANCES NOT SPECIFIED .XX ± .XXX ± \angle (DEG) ±		DO NOT SCALE DRAWING FOR DIMENSIONS Sheet 2 of 2 SCALE 1:16	
CONFIDENTIAL DISCLOSURE This drawing is the property of POWEREX, INC. of the SCOTT FEITZER COMPANY and subject to return on demand. Its contents are confidential and must not be copied or submitted to outside parties for use or examination.			
DRAWN BY AEK		CHECKED BY DMS	
APPROVED BY AEK		ENGINEERING MFG/MRKTG CT	
DATE 1/18/13		DATE 1/18/13	
MATERIAL N/A		DATE 1/18/13	
PART NAME 15HP CLAW LAB VAC 200GAL QUADPLEX		DWG NO LCPQ1505	
SIZE D		SIZE D	

8 7 6 5 4 3 2 1

REV	ZONE	REVISION	DATE	ECN	NAME	CHKD
B-1	ALL	RELEASE TO PRODUCTION	1/18/13	PKE0003	AEK	DMS
C-1	ALL	UPDATED TO MM1502 PUMP	8/6/15	PKE0098	AEK	GES



LEGEND

	TEMP. SWITCH		VACUUM SWITCH
	AIR FILTER		CHECK VALVE
	BALL VALVE		FLEX LINE
	BUTTERFLY VALVE		UNION

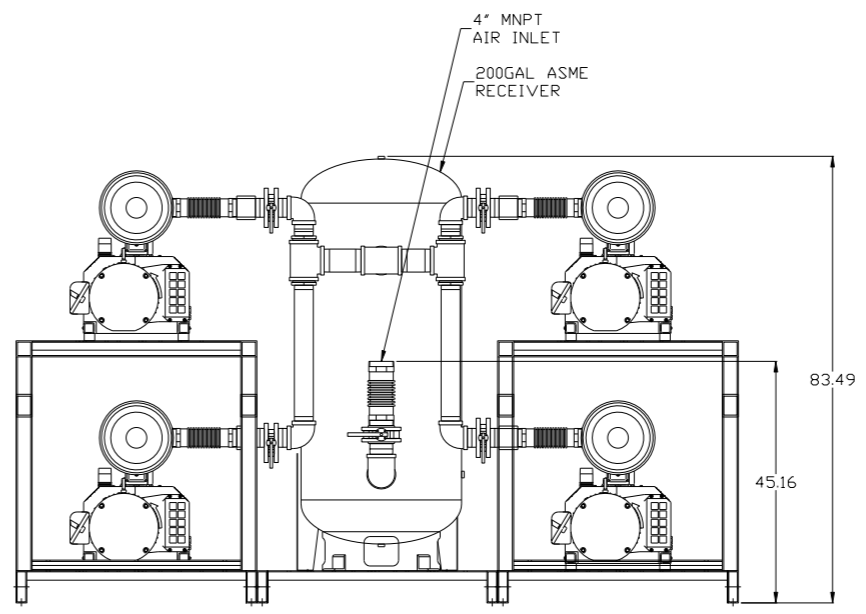
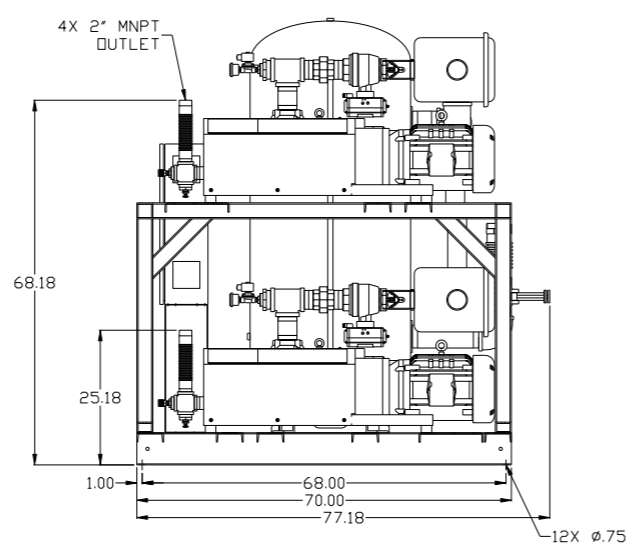
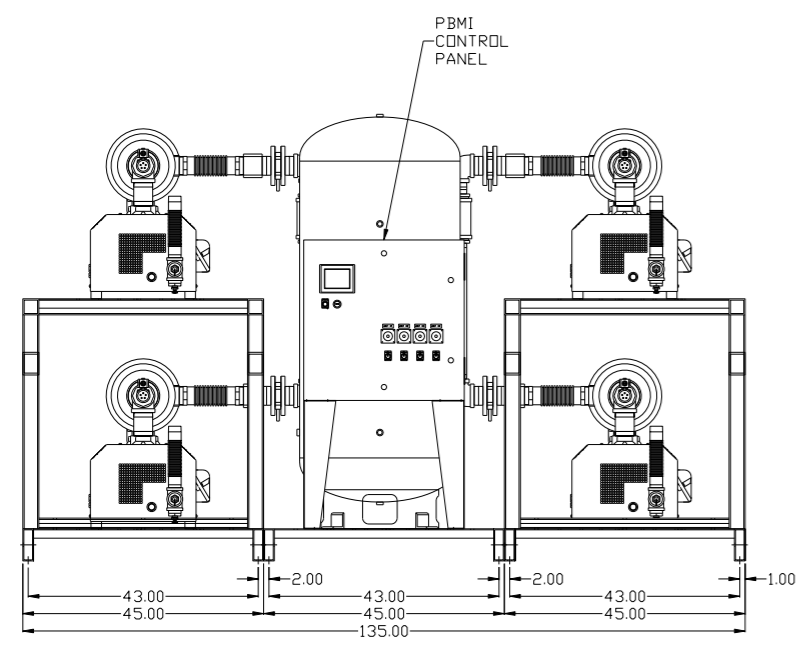
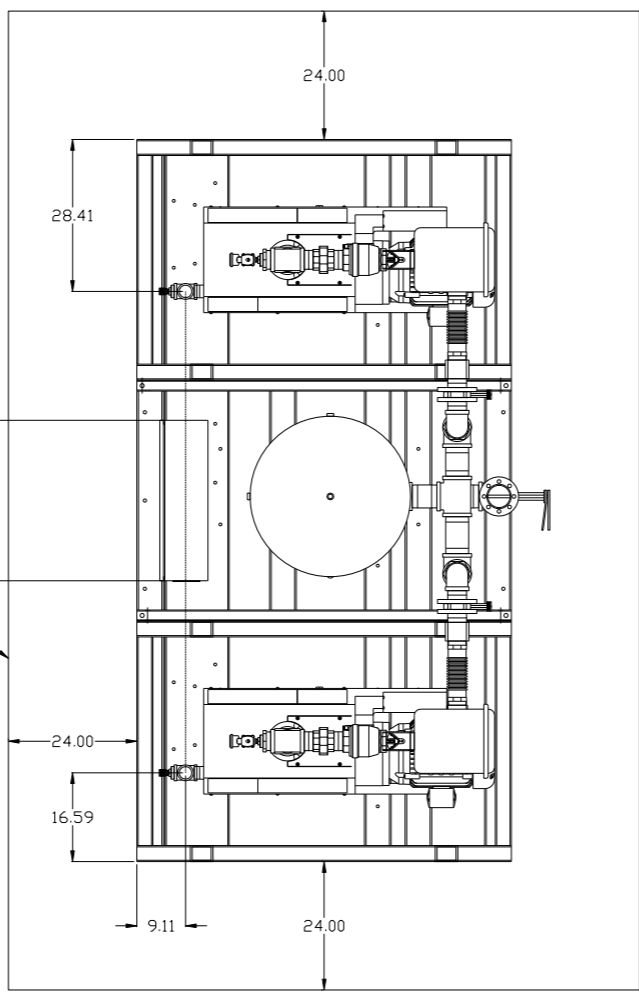
NOTE:
 1) TSH - TEMPERATURE SWITCH HIGH
 2) PER NFPA THE SYSTEM WILL REQUIRE A SOURCE VALVE (SUPPLIED BY OTHERS).

NOTE:
 A 1/4 INCH VENT PLUG IS LOCATED IN THE FILTER HOUSING.

AUTO PURGE IS OPTIONAL

SYMBOL LEGEND			ADDITIONAL CONTROL REQ'D	Drawings to conform to the current revision of the following ANSI standards:	
	MINUS DRAFT		BRINELL HARDNESS	Y14.3 Multi and sectional view dngs. Y14.5M Dimensioning and tolerancing	
TOLERANCES NOT SPECIFIED		AUTOCAD REL2008 LT	DO NOT SCALE DRAWING FOR DIMENSIONS		SCALE
.XX ±		INCH	Sheet 1 of 2		1:16
.XXX ±			DRAWN BY		CHECKED BY
< < DEG > ±			AEK	DMS	APPROVED BY
CONFIDENTIAL DISCLOSURE		This drawing is the property of POWEREX, INC. of the SCOTT FETZER COMPANY and subject to return on demand. Its contents are confidential and must not be copied or submitted to outside parties for use or examination.		AEK	CT
MATERIAL		N/A		1/18/13	1/18/13
PART NAME		QUADPLEX CLAW LAB VAC PKG		1/18/13	1/18/13
FLOW SCHEMATIC		DWG NO		SIZE	
		LCPQ1505		D	

REV	ZONE	REVISION	DATE	ECN	NAME	CHKD
B-1	ALL	RELEASE TO PRODUCTION	1/18/13	PKEC0003	AEK	DMS
C-1	ALL	UPDATED TO MM1502 PUMP	8/6/15	PKEC0098	AEK	GES



SYMBOL LEGEND

⊖ = MINUS DRAFT

⊕ = PLUS DRAFT

⊕ = ADDITIONAL CONTROL REQ'D

⊕ = BRINELL HARDNESS

Drawings to conform to the current revision of the following ANSI standards:
Y14.3 Multi and sectional view dsgs.
Y14.5M Dimensioning and tolerancing

TOLERANCES NOT SPECIFIED

.XX ±

.XXX ±

<< DEG >> ±

AUTOCAD REL2008 LT

DO NOT SCALE DRAWING FOR DIMENSIONS

Sheet 2 of 2

SCALE 1:16

CONFIDENTIAL DISCLOSURE

This drawing is the property of POWEREX, INC. of the SCOTT FELTZER COMPANY and subject to return on demand. Its contents are confidential and must not be copied or submitted to outside parties for use or examination.

DRAWN BY AEK

CHECKED BY DMS

APPROVED BY ENGINEERING AEK

MFG/MKTG CT

1/18/13 1/18/13 1/18/13 1/18/13

MATERIAL N/A

PART NAME 15HP CLAW LAB VAC 200GAL QUADPLEX

POWEREX

150 PRODUCTION DRIVE, HARRISON, OHIO 45030

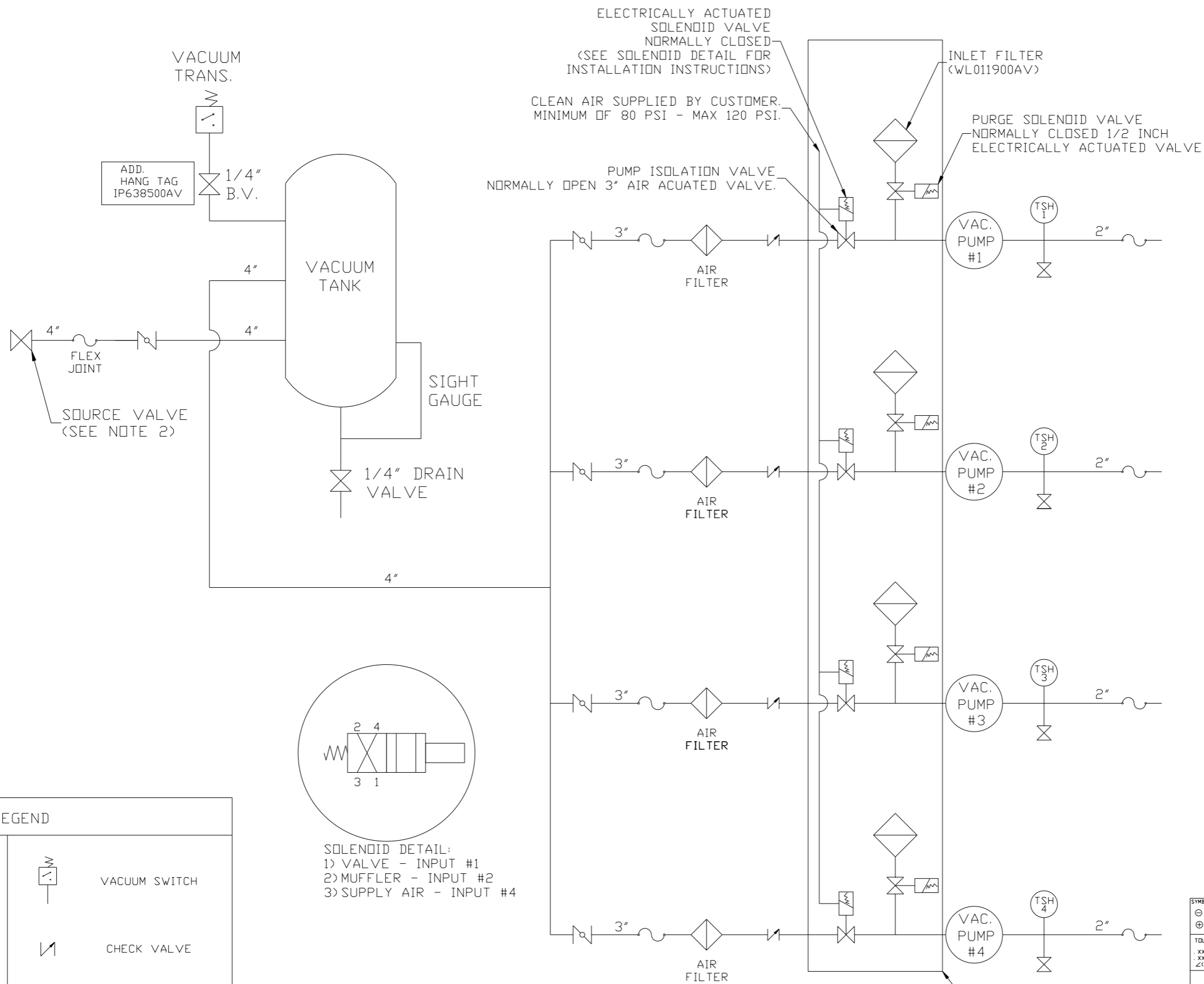
Ph 888-769-7979 FAX (513) 367-3125

DWG NO LCPQ1505

SIZE D

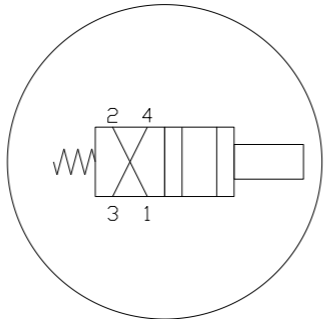
LCPQ1505B.dwg

REV	ZONE	REVISION	DATE	ECN	NAME	CHKD
B-1	ALL	RELEASE TO PRODUCTION	1/18/13	PKEC0003	AEK	DMS
C-1	ALL	UPDATED TO MM1502 PUMP	8/6/15	PKEC0098	AEK	GES



LEGEND

	TEMP. SWITCH		VACUUM SWITCH
	AIR FILTER		CHECK VALVE
	BALL VALVE		FLEX LINE
	BUTTERFLY VALVE		UNION



SOLENOID DETAIL:
 1) VALVE - INPUT #1
 2) MUFFLER - INPUT #2
 3) SUPPLY AIR - INPUT #4

NOTE:
 1) TSH - TEMPERATURE SWITCH HIGH
 2) PER NFPA THE SYSTEM WILL REQUIRE A SOURCE VALVE (SUPPLIED BY OTHERS).

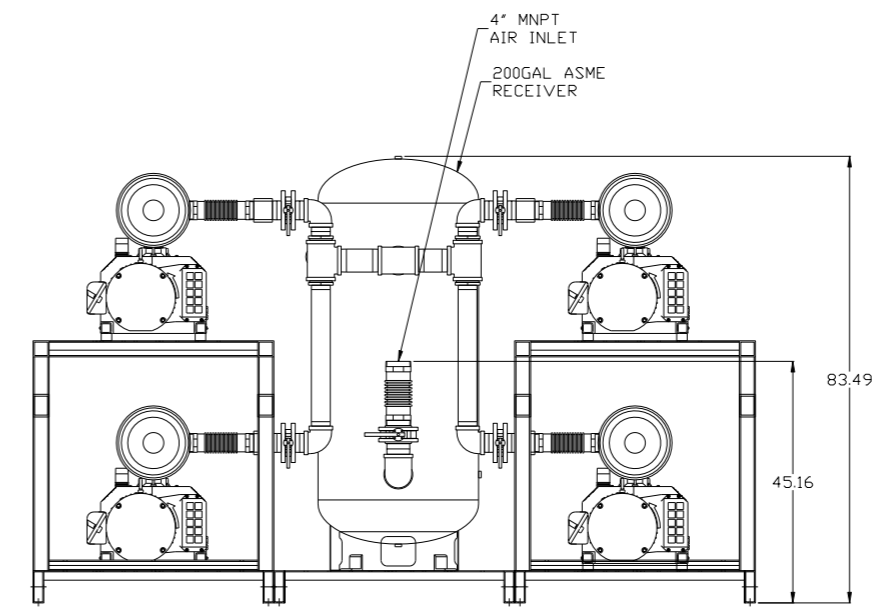
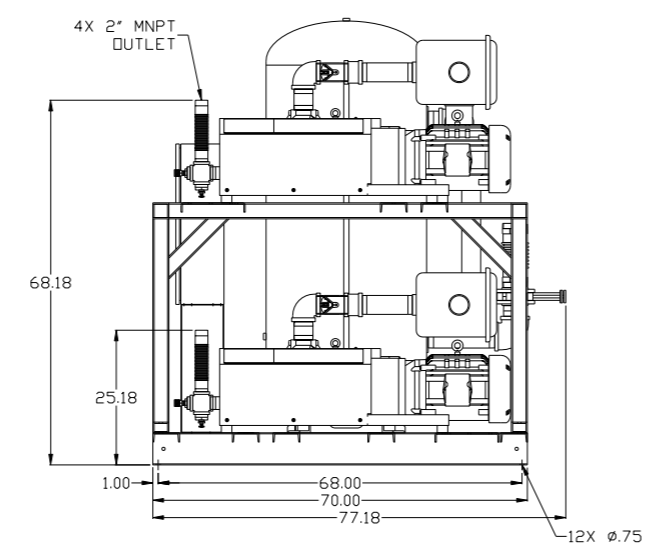
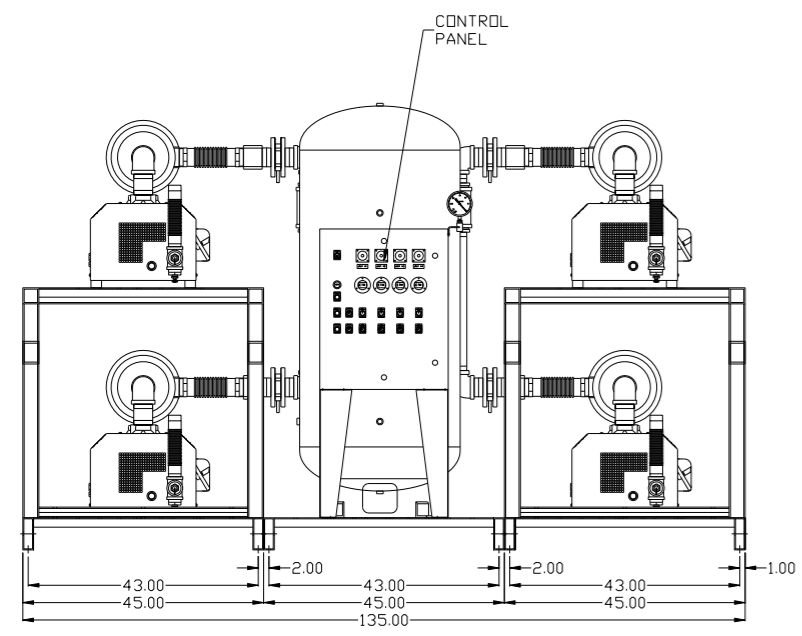
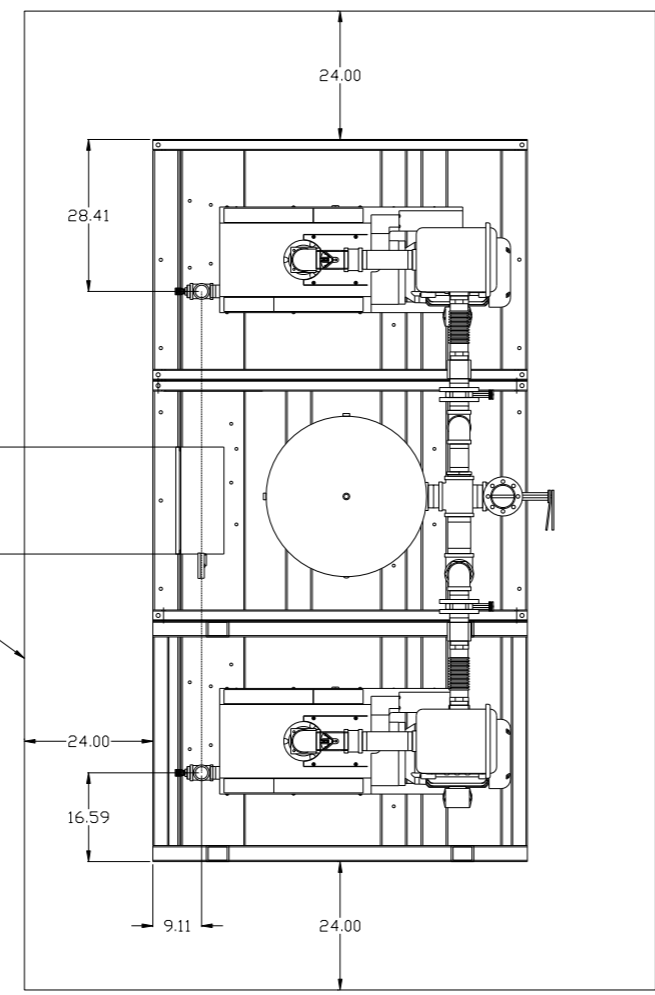
NOTE:
 A 1/4 INCH VENT PLUG IS LOCATED IN THE FILTER HOUSING.

AUTO PURGE IS OPTIONAL

SYMBOL LEGEND			ADDITIONAL CONTROL REQ'D	Drawings to conform to the current revision of the following ANSI standards	
	MINUS DRAFT		BRINELL HARDNESS	Y14.3 Multi and sectional view dgs. Y14.5M Dimensioning and tolerancing	
TOLERANCES NOT SPECIFIED		AUTOCAD REL2008 LT	DO NOT SCALE DRAWING FOR DIMENSIONS		
.XX ±		INCH	Sheet 1 of 2	SCALE 1:16	
.XXX ±					
<< DEG >> ±					
CONFIDENTIAL DISCLOSURE This drawing is the property of POWEREX, INC. of the SCOTT FETZER COMPANY and subject to return on demand. Its contents are confidential and must not be copied or submitted to outside parties for use or examination.					
DRAWN BY		CHECKED BY	APPROVED BY		MFG/MKTG
AEK		DMS	AEK		CT
1/18/13		1/18/13	1/18/13		1/18/13
MATERIAL		N/A			
PART NAME		QUADPLEX CLAW LAB VAC PKG			
FLOW SCHEMATIC		DWG NO		SIZE	
		LCPQ1505		D	

8 7 6 5 4 3 2 1

REV	ZONE	REVISION	DATE	ECN	NAME	CHKD
B-1	ALL	RELEASE TO PRODUCTION	1/18/13	PKEC0003	AEK	DMS
C-1	ALL	UPDATED TO MM1502 PUMP	8/6/15	PKEC0098	AEK	GES



SYMBOL LEGEND

⊖ = MINUS DRAFT ⊕ = PLUS DRAFT ⊕ = ADDITIONAL CONTROL REQ'D ⊕ = BRINELL HARDNESS

Drawings to conform to the current revision of the following ANSI standards:
 Y14.3 Multi and sectional view dgs.
 Y14.5M Dimensioning and tolerancing

TOLERANCES NOT SPECIFIED: .XX ±, .XXX ±, \angle (DEG) ±

AUTOCAD REL2008 LT

DO NOT SCALE DRAWING FOR DIMENSIONS

Sheet 2 of 2 SCALE 1:16

CONFIDENTIAL DISCLOSURE
 This drawing is the property of POWEREX, INC. of the SCOTT FELTZER COMPANY and subject to return on demand. Its contents are confidential and must not be copied or submitted to outside parties for use or examination.

DRAWN BY	CHECKED BY	APPROVED BY	DATE
AEK	DMS	AEK	CT
1/18/13	1/18/13	1/18/13	1/18/13

MATERIAL: N/A

PART NAME: 15HP CLAW LAB VAC 200GAL QUADPLEX

DWG NO: LCPQ1505

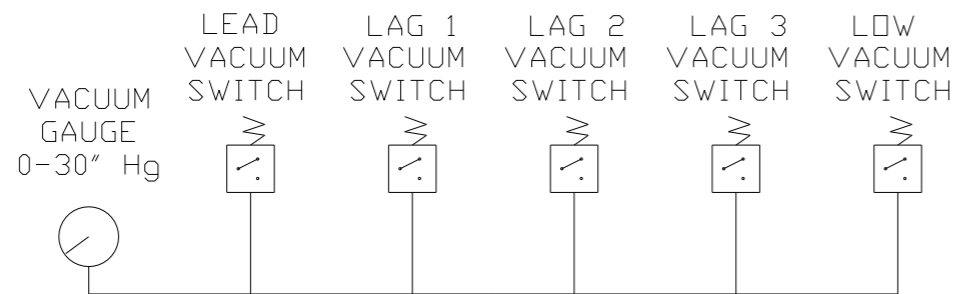
SIZE: D

POWEREX
 150 PRODUCTION DRIVE, HARRISON, OHIO 45030
 Ph: 888-769-7979 FAX: (513) 367-3125

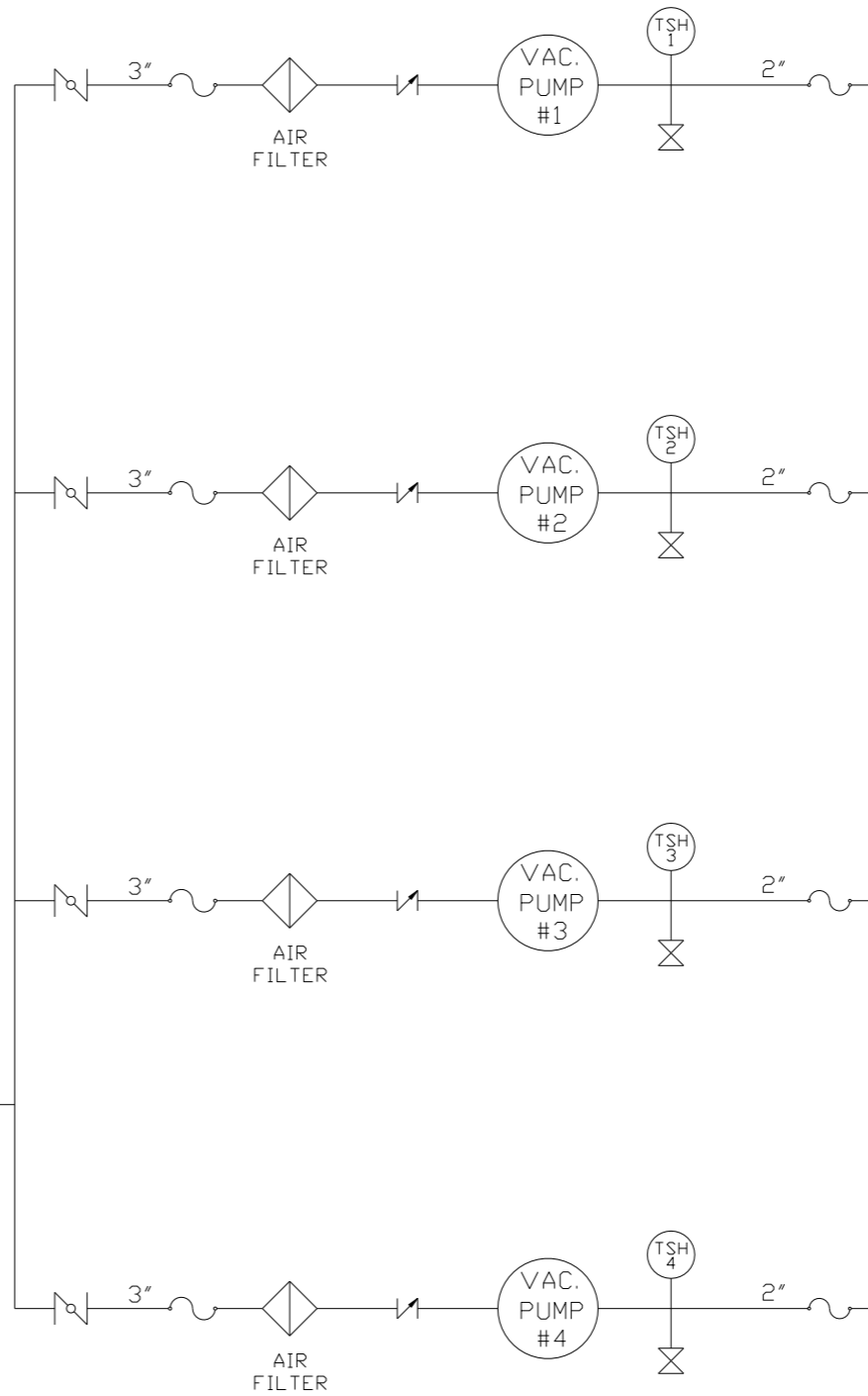
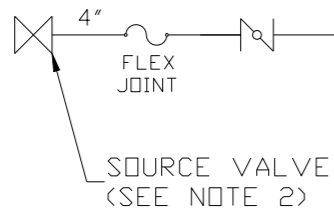
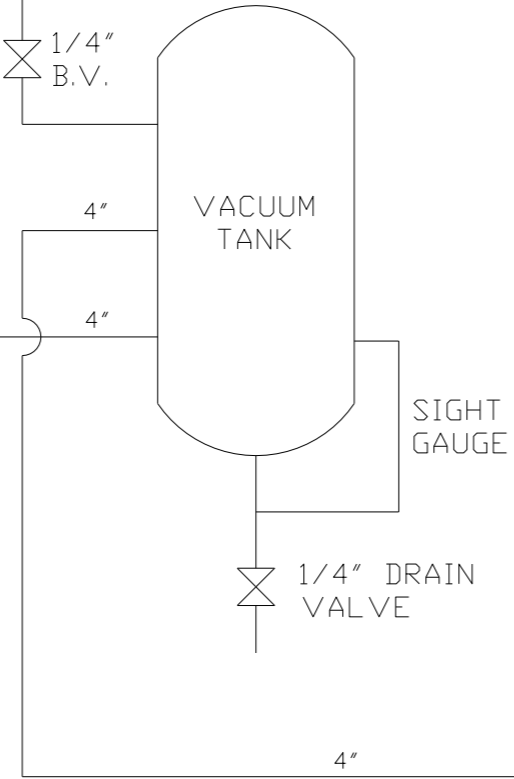
LCPQ1505B.dwg

8 7 6 5 4 3 2 1

REV	ZONE	REVISION	DATE	ECN	NAME	CHKD
B-1	ALL	RELEASE TO PRODUCTION	1/18/13	PKEC0003	AEK	DMS
C-1	ALL	UPDATED TO MM1502 PUMP	8/6/15	PKEC0098	AEK	GES

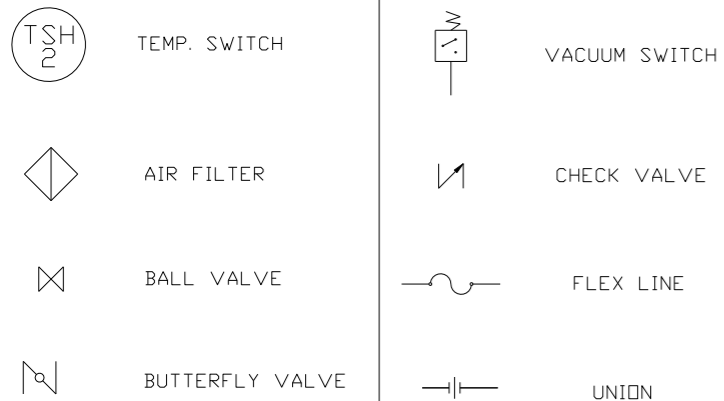


ADD. HANG TAG IP638500AV



NOTE:
A 1/4 INCH VENT PLUG IS LOCATED IN THE FILTER HOUSING.

LEGEND



NOTE:
1) TSH - TEMPERATURE SWITCH HIGH
2) PER NFPA THE SYSTEM WILL REQUIRE A SOURCE VALVE (SUPPLIED BY OTHERS).

SYMBOL LEGEND		= ADDITIONAL CONTROL REQ'D		Drawings to conform to the current revision of the following ANSI standards:	
⊖ = MINUS DRAFT		= BRINELL HARDNESS		Y14.3 Multi and sectional view dsgs.	
⊕ = PLUS DRAFT				Y14.5M Dimensioning and tolerancing	
TOLERANCES NOT SPECIFIED		AUTOCAD REL2008 LT	DO NOT SCALE DRAWING FOR DIMENSIONS		
.XX ±		INCH	Sheet 1 of 2	SCALE 1:16	
.XXX ±					
<DEG> ±					
CONFIDENTIAL DISCLOSURE					
This drawing is the property of POWEREX, INC. of the SCOTT FETZER COMPANY and subject to return on demand. Its contents are confidential and must not be copied or submitted to outside parties for use or examination.					
DRAWN BY		CHECKED BY	APPROVED BY		MFG/MKTG
AEK		DMS	AEK		CT
1/18/13		1/18/13	1/18/13		1/18/13
MATERIAL		N/A			
PART NAME		QUADPLEX CLAW LAB VAC PKG			
FLOW SCHEMATIC		DWG NO		SIZE	
		LCPQ1505		D	