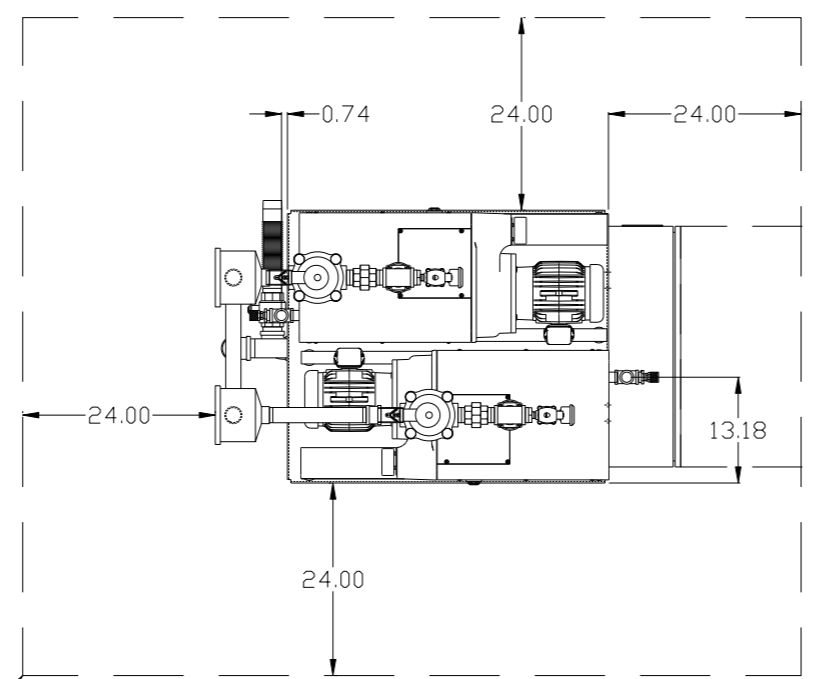
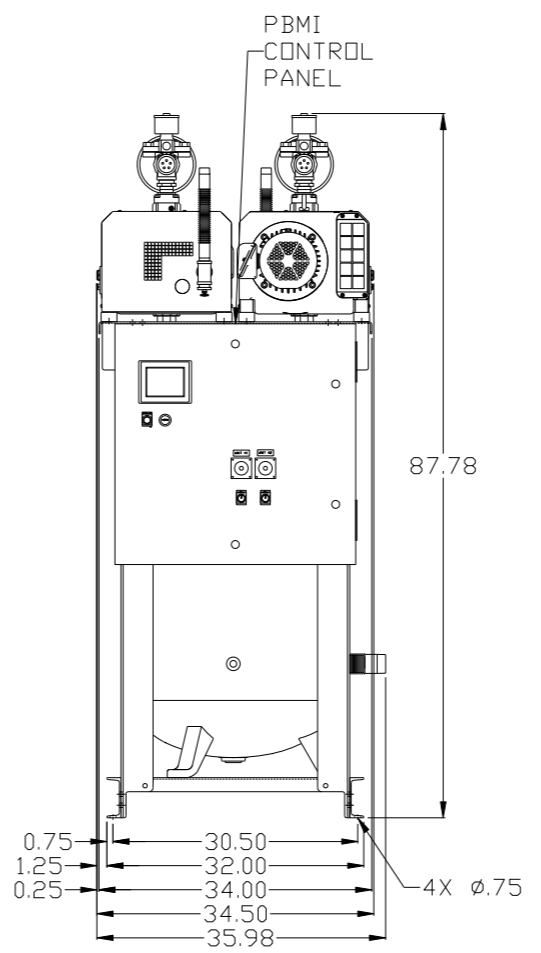
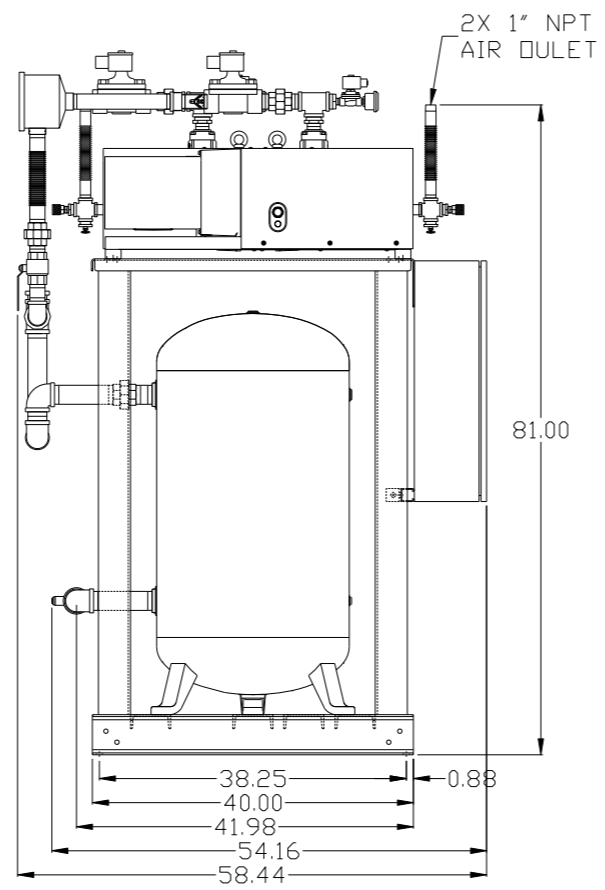
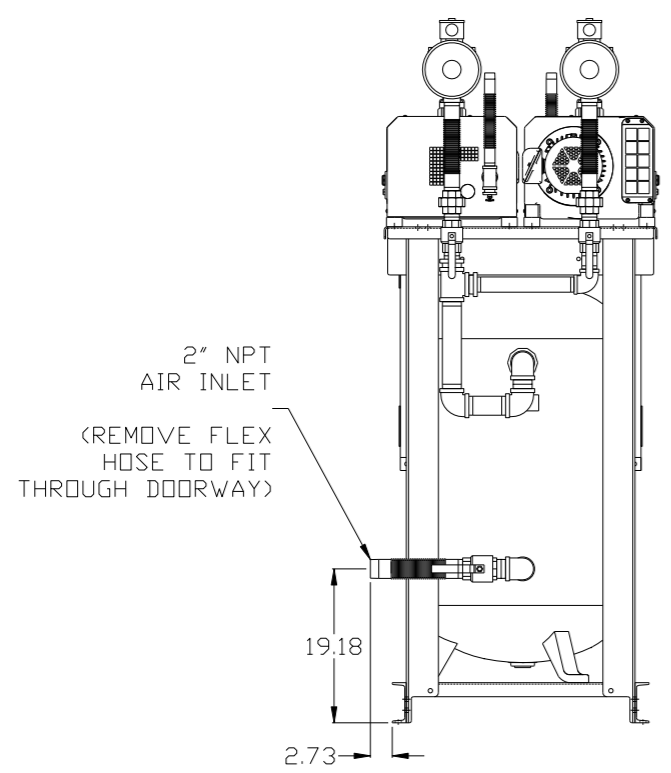


8 7 6 5 4 3 2 1

REV	ZONE	REVISION	DATE	ECN	NAME	CHKD
B-1	ALL	RELEASE TO PRODUCTION	1/2/13	PXEC003	GES	DMS
C-1	ALL	UPDATED TO PUMP WITH NEMA RATED MOTOR	11/15/16	PXEC0149	AEK	GES



MINIMUM RECOMMENDED MAINTENANCE CLEARANCE

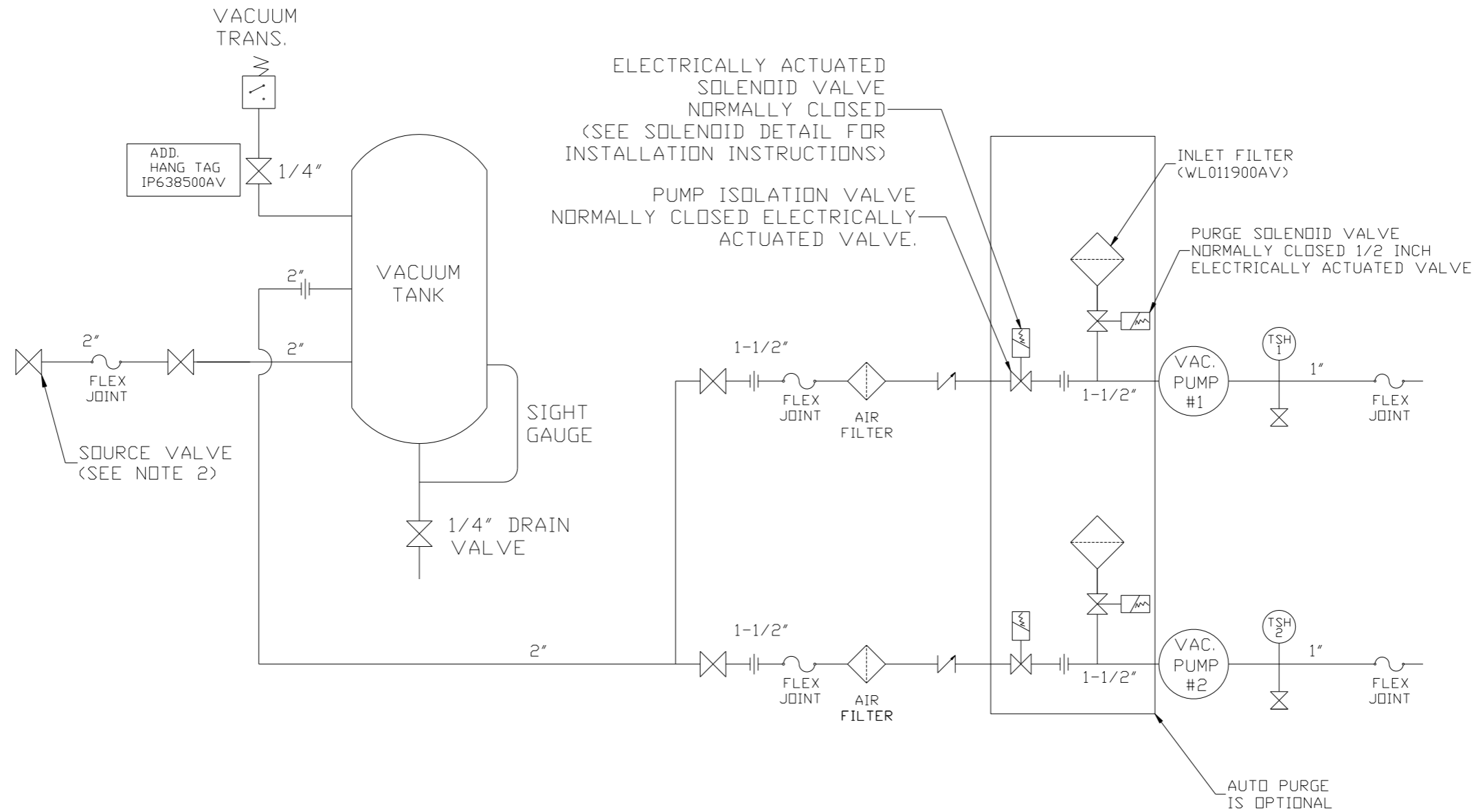


NOTE: AUTO PURGE IS OPTIONAL.

SYMBOL LEGEND ⊖ = MINUS DRAFT ⊕ = PLUS DRAFT ∅ = ADDITIONAL CONTROL REQ'D HRC = BRINELL HARDNESS		Drawings to conform to the current revision of the following ANSI standards: Y14.3 Multi and sectional view dsgs. Y14.5M Dimensioning and tolerancing	
TOLERANCES NOT SPECIFIED .XX ± .XXX ± \angle(DEG) ±		DO NOT SCALE DRAWING FOR DIMENSIONS AUTOCAD REL2008 LT INCH Sheet 1 of 2 SCALE 1:12	
CONFIDENTIAL DISCLOSURE This drawing is the property of POWEREX, INC. of the SCOTT FETZER COMPANY and subject to return on demand. Its contents are confidential and must not be copied or submitted to outside parties for use or examination.			
DRAWN BY GES	CHECKED BY DMS	APPROVED BY JBC	MFG/MKTG CT
MATERIAL N/A		POWEREX 150 PRODUCTION DRIVE, HARRISON, OHIO 45030 Ph 888-769-7979 FAX (513) 367-3125	
PART NAME 2HP LAB CLAW VAC DUPLEX VERT, 80G TANK		DWG NO LCV0203	SIZE D

8 7 6 5 4 3 2 1

REV	ZONE	REVISION	DATE	ECN	NAME	CHKD
B-1	ALL	RELEASE TO PRODUCTION	1/2/13	PXC0003	GES	DMS
C-1	ALL	UPDATED TO PUMP WITH NEMA RATED MOTOR	11/15/16	PXC0149	AEK	GES



LEGEND

(TSH)	TEMP. SWITCH		VACUUM SWITCH
	BUTTERFLY VALVE		CHECK VALVE
	AIR FILTER		FLEX LINE
	BALL VALVE		UNION

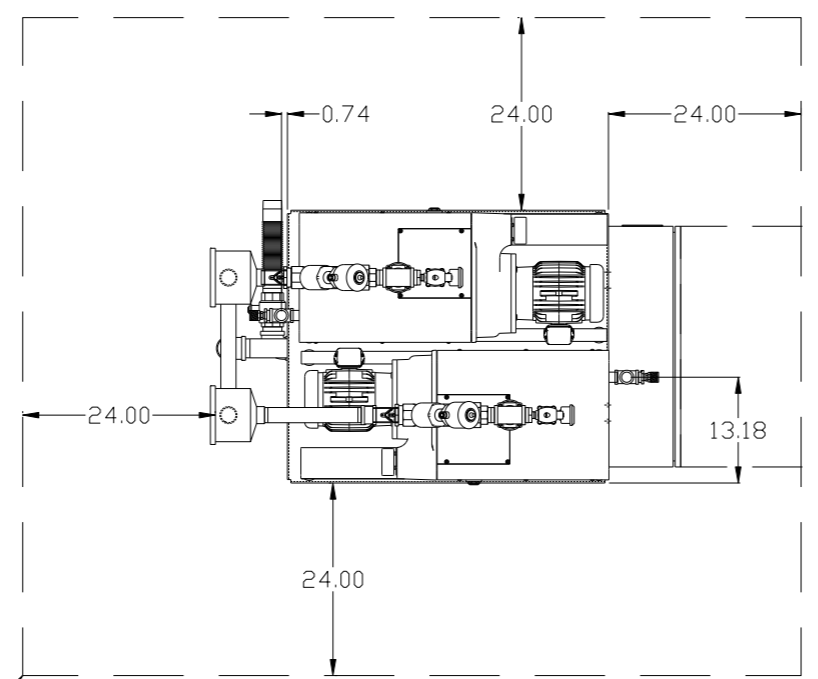
NOTE:
A 1/4 INCH VENT PLUG IS LOCATED IN THE FILTER HOUSING.

NOTE:
1) TSH - TEMPERATURE SWITCH HIGH
2) PER NFPA THE SYSTEM WILL REQUIRE A SOURCE VALVE (SUPPLIED BY OTHERS).

SYMBOL LEGEND			ADDITIONAL CONTROL REQ'D	Drawings to conform to the current revision of the following ANSI standards:	
	MINUS DRAFT		BRINELL HARDNESS	Y14.3 Multi and sectional view dsgs. Y14.5M Dimensioning and tolerancing	
TOLERANCES NOT SPECIFIED		AUTOCAD REL2008 LT		DO NOT SCALE DRAWING FOR DIMENSIONS	
.XX ±		INCH		Sheet 2 of 2	SCALE 1:12
CONFIDENTIAL DISCLOSURE This drawing is the property of POWEREX, INC. of the SCOTT FETZER COMPANY and subject to return on demand. Its contents are confidential and must not be copied or submitted to outside parties for use or examination.					
DRAWN BY	CHECKED BY	APPROVED BY		MFG/MKTG	
GES	DMS	JBC	CT		
11/27/12	1/2/13	1/2/13	1/2/13		
MATERIAL		N/A			
PART NAME		LAB CLAW VAC DUPLEX			
FLOW SCHEMATIC		DWG NO LCV0203			
		SIZE D			

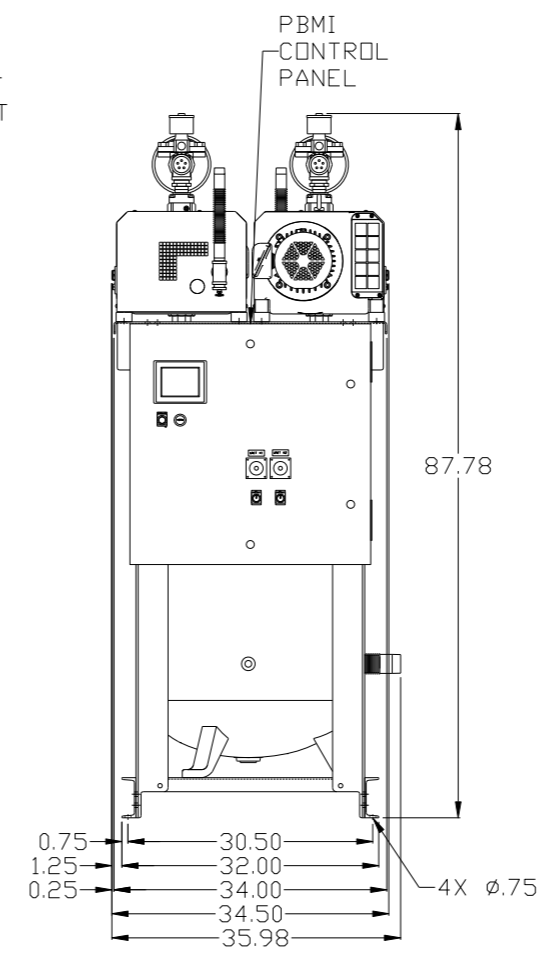
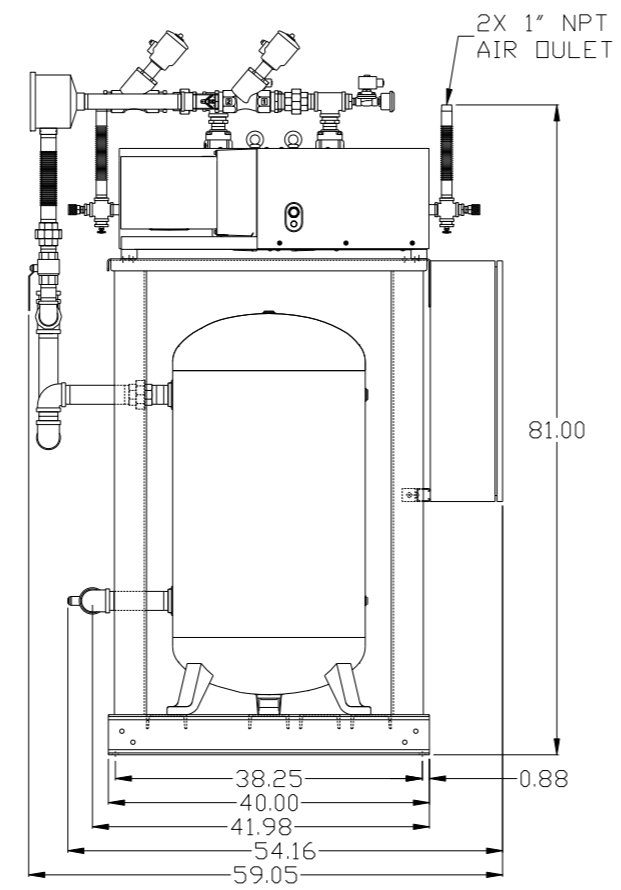
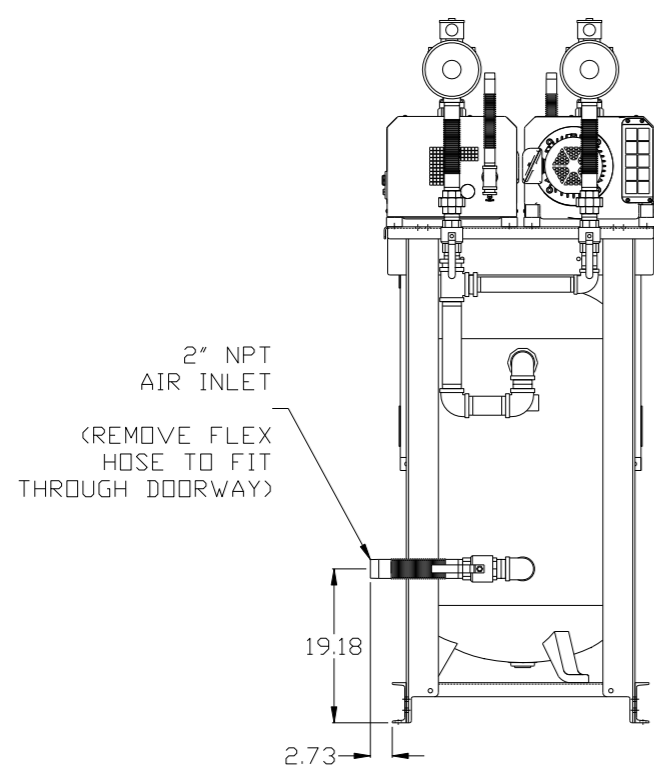
8 7 6 5 4 3 2 1

REV	ZONE	REVISION	DATE	ECN	NAME	CHKD
B-1	ALL	RELEASE TO PRODUCTION	1/2/13	PXEC003	GES	DMS
C-1	ALL	UPDATED TO PUMP WITH NEMA RATED MOTOR	11/15/16	PXEC0149	AEK	GES



MINIMUM RECOMMENDED ELECTRICAL PANEL CLEARANCE PER OSHA/NEC CLEARANCES

MINIMUM RECOMMENDED MAINTENANCE CLEARANCE

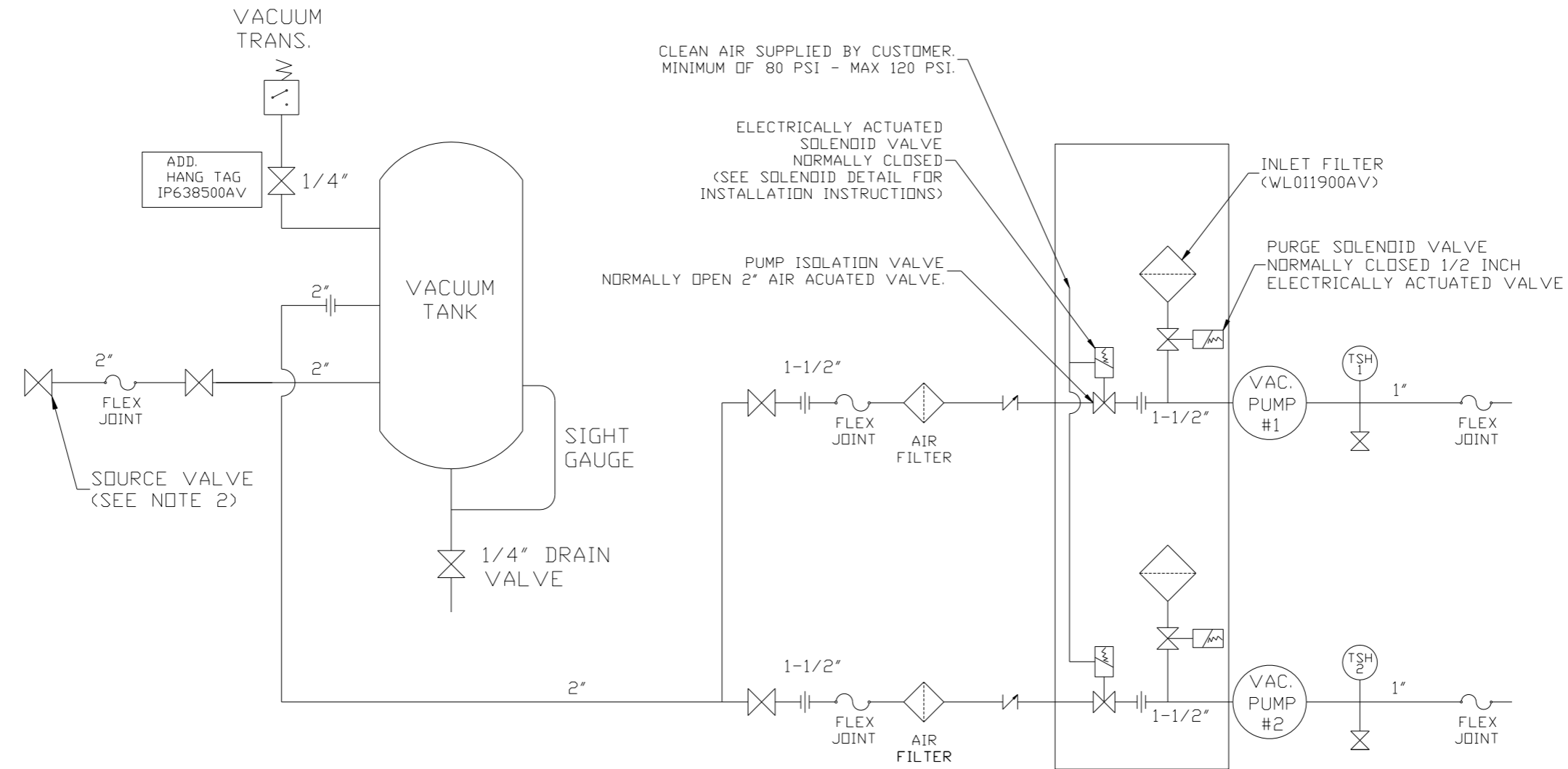


NOTE: AUTO PURGE IS OPTIONAL.

SYMBOL LEGEND ⊖ = MINUS DRAFT ⊕ = PLUS DRAFT ∅ = ADDITIONAL CONTROL REQ'D HB = BRINELL HARDNESS		Drawings to conform to the current revision of the following ANSI standards: Y14.3 Multi and sectional view dsgs. Y14.5M Dimensioning and tolerancing	
TOLERANCES NOT SPECIFIED .XX ± .XXX ± \angle(DEG.) ±		AUTOCAD REL2008 LT INCH DO NOT SCALE DRAWING FOR DIMENSIONS Sheet 1 of 2 SCALE 1:12	
CONFIDENTIAL DISCLOSURE This drawing is the property of POWEREX, INC. of the SCOTT FETZER COMPANY and subject to return on demand. Its contents are confidential and must not be copied or submitted to outside parties for use or examination.			
DRAWN BY GES		CHECKED BY DMS	
11/27/12		APPROVED BY JBC CT 1/2/13 1/2/13	
MATERIAL N/A		 150 PRODUCTION DRIVE, HARRISON, OHIO 45030 Ph: 888-769-7979 FAX: (513) 367-3125	
PART NAME 2HP LAB CLAW VAC DUPLEX VERT, 80G TANK		DWG NO LCV0203 SIZE D	

8 7 6 5 4 3 2 1

REV	ZONE	REVISION	DATE	ECN	NAME	CHKD
B-1	ALL	RELEASE TO PRODUCTION	1/2/13	PXEC003	GES	DMS
C-1	ALL	UPDATED TO PUMP WITH NEMA RATED MOTOR	11/15/16	PXEC0149	AEK	GES



CLEAN AIR SUPPLIED BY CUSTOMER.
MINIMUM OF 80 PSI - MAX 120 PSI.

ELECTRICALLY ACTUATED
SOLENOID VALVE
NORMALLY CLOSED
(SEE SOLENOID DETAIL FOR
INSTALLATION INSTRUCTIONS)

PUMP ISOLATION VALVE
NORMALLY OPEN 2" AIR ACUATED VALVE.

INLET FILTER
(WL011900AV)

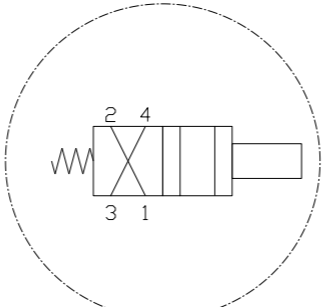
PURGE SOLENOID VALVE
NORMALLY CLOSED 1/2 INCH
ELECTRICALLY ACTUATED VALVE

NOTE:
A 1/4 INCH VENT PLUG IS
LOCATED IN THE FILTER HOUSING.

AUTO PURGE
IS OPTIONAL

LEGEND

	TEMP. SWITCH		VACUUM SWITCH
	BUTTERFLY VALVE		CHECK VALVE
	AIR FILTER		FLEX LINE
	BALL VALVE		UNION



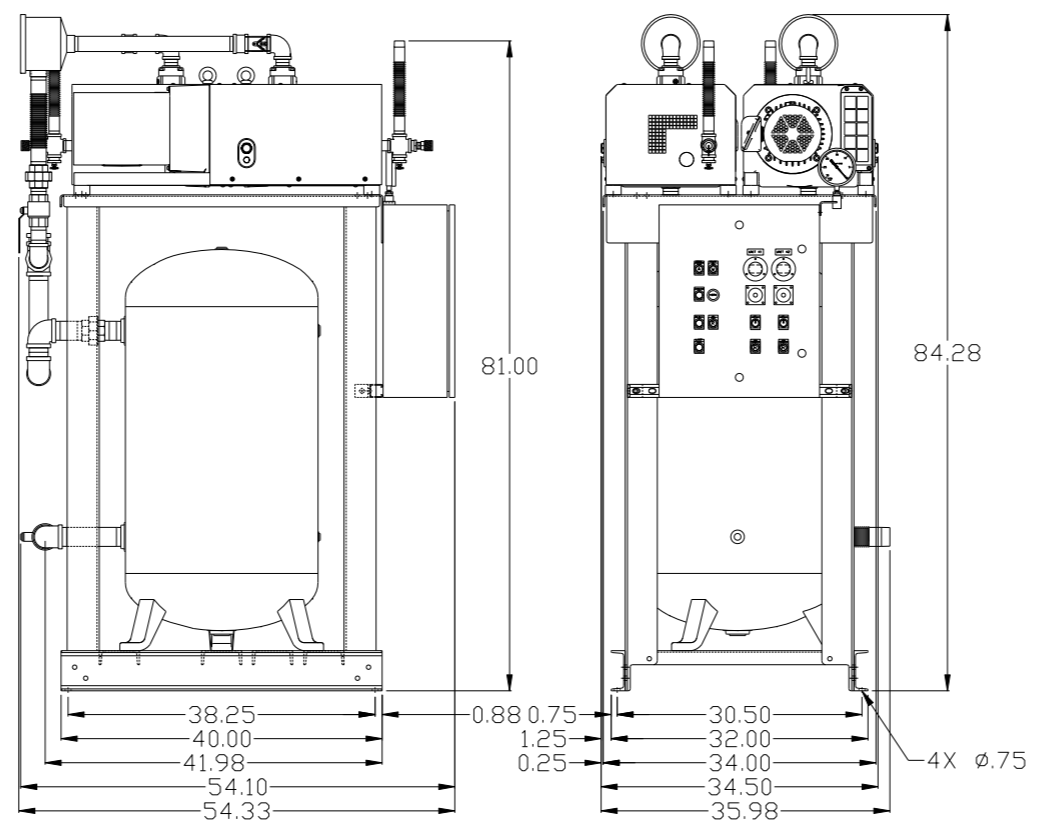
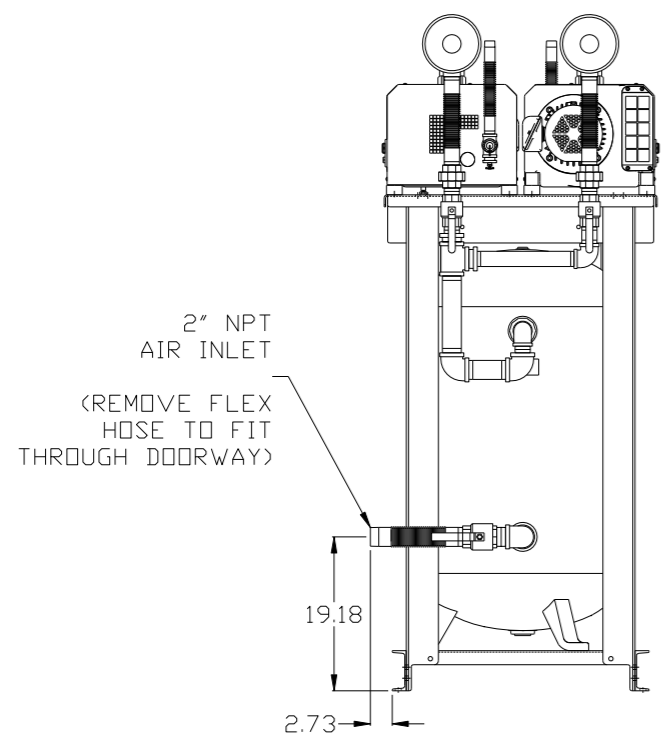
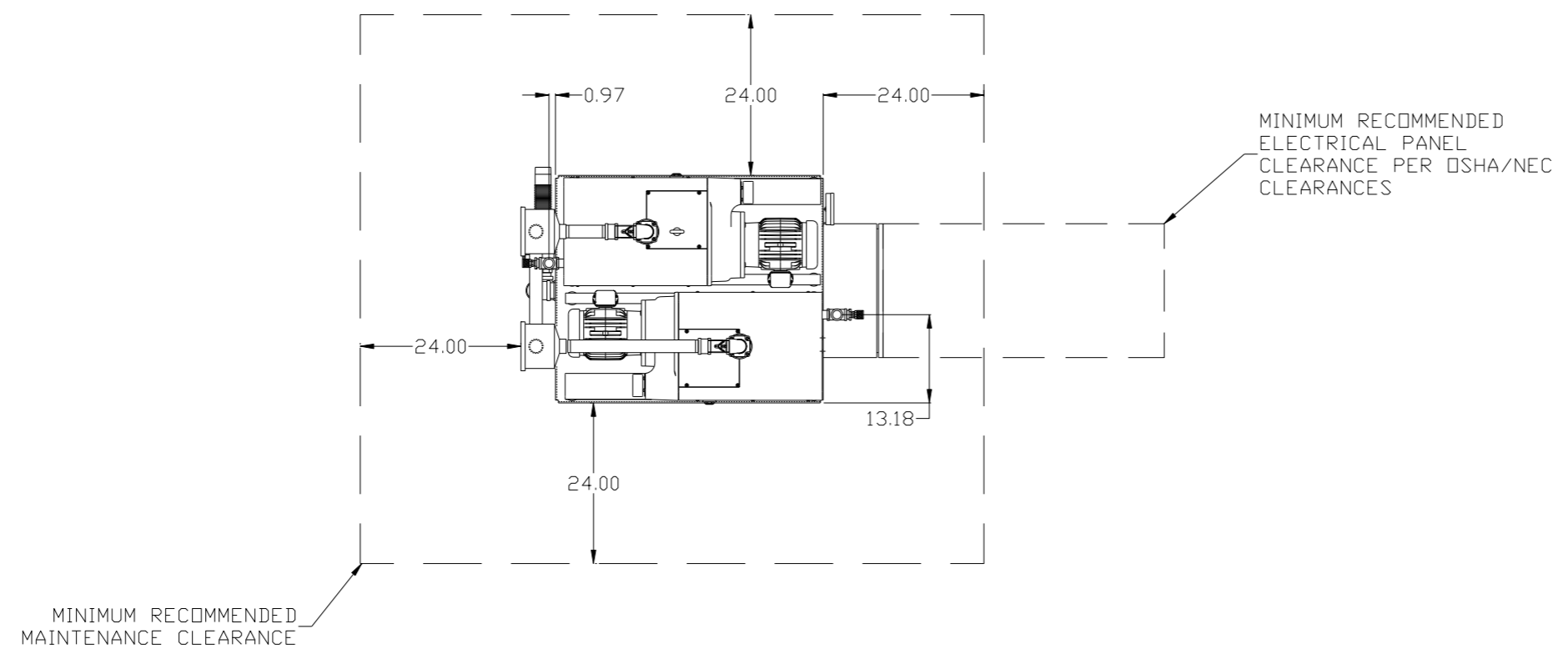
SOLENOID DETAIL:
1) VALVE - INPUT #1
2) MUFFLER - INPUT #2
3) SUPPLY AIR - INPUT #4

NOTE:
1) TSH - TEMPERATURE SWITCH HIGH
2) PER NFPA THE SYSTEM WILL REQUIRE A SOURCE VALVE (SUPPLIED BY OTHERS).

SYMBOL LEGEND		= ADDITIONAL CONTROL REQ'D		Drawings to conform to the current revision of the following ANSI standards:	
⊖	MINUS DRAFT	⊕	PLUS DRAFT	⊖	BRINELL HARDNESS
TOLERANCES NOT SPECIFIED		AUTOCAD REL2008 LT		DO NOT SCALE DRAWING FOR DIMENSIONS	
.XX ±		INCH		Sheet 2 of 2	SCALE 1:12
CONFIDENTIAL DISCLOSURE This drawing is the property of POWEREX, INC. of the SCOTT FETZER COMPANY and subject to return on demand. Its contents are confidential and must not be copied or submitted to outside parties for use or examination.					
DRAWN BY		CHECKED BY		APPROVED BY	
GES		DMS		JBC CT	
11/27/12		1/2/13		1/2/13 1/2/13	
MATERIAL		N/A		 150 PRODUCTION DRIVE, HARRISON, OHIO 45030 Ph: 888-769-7979 FAX: (513) 367-3125	
PART NAME		LAB CLAW VAC DUPLEX		SIZE	
FLOW SCHEMATIC		LCVD0203		D	

8 7 6 5 4 3 2 1

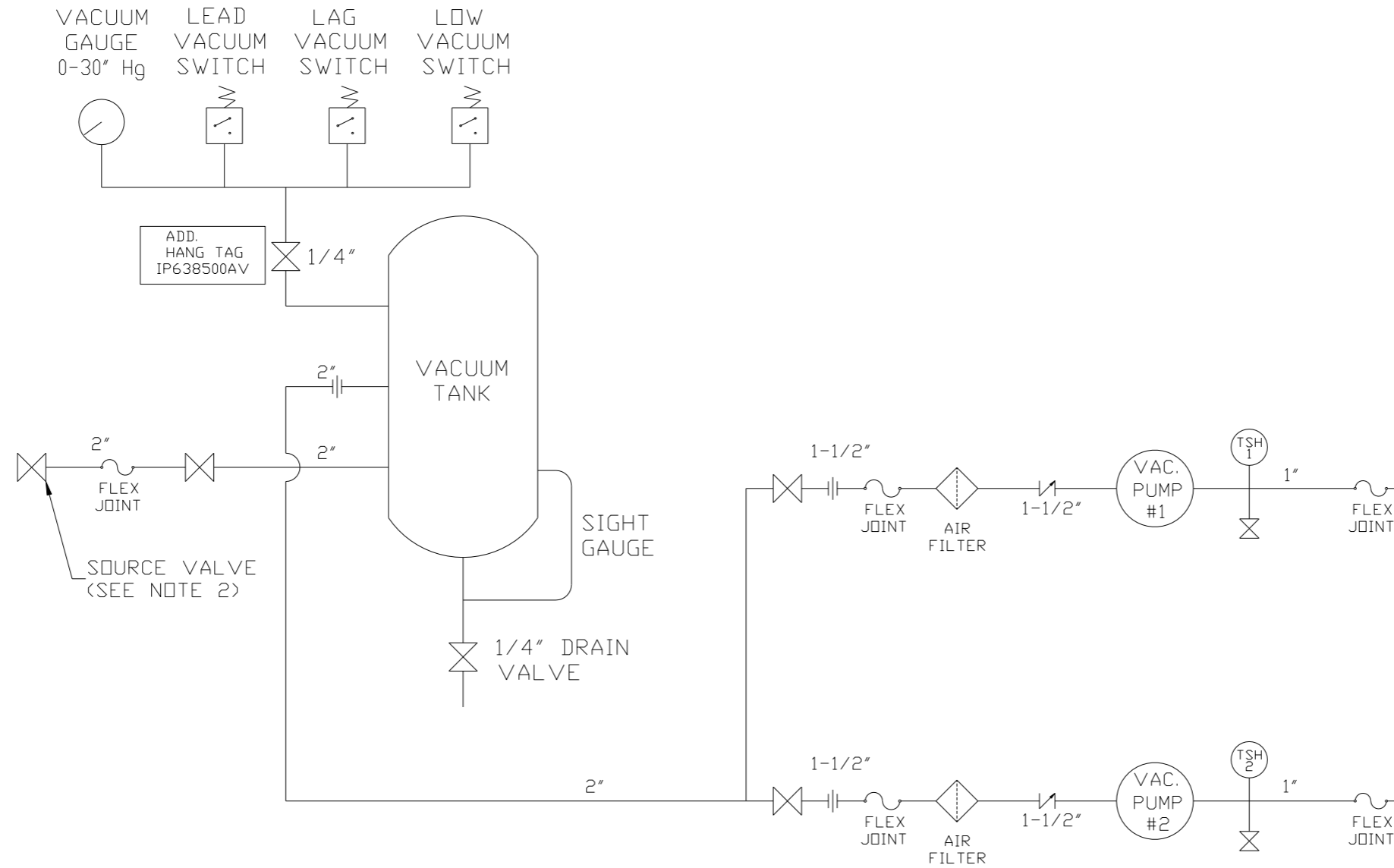
REV	ZONE	REVISION	DATE	ECN	NAME	CHKD
B-1	ALL	RELEASE TO PRODUCTION	1/2/13	PXEC003	GES	DMS
C-1	ALL	UPDATED TO PUMP WITH NEMA RATED MOTOR	11/15/16	PXEC0149	AEK	GES



SYMBOL LEGEND ⊖ = MINUS DRAFT ⊕ = PLUS DRAFT TOLERANCES NOT SPECIFIED .XX ± .XXX ± <DEG> ±		= ADDITIONAL CONTROL REQ'D = BRINELL HARDNESS		Drawings to conform to the current revision of the following ANSI standards: Y14.3 Multi and sectional view dgs. Y14.5M Dimensioning and tolerancing	
AUTOCAD REL2008 LT INCH		DO NOT SCALE DRAWING FOR DIMENSIONS Sheet 1 of 2 SCALE 1:12		CONFIDENTIAL DISCLOSURE This drawing is the property of POWEREX, INC. of the SCOTT FETZER COMPANY and subject to return on demand. Its contents are confidential and must not be copied or submitted to outside parties for use or examination.	
DRAWN BY GES		CHECKED BY DMS		APPROVED BY ENGINEERING MFG/MKTG JBC CT	
MATERIAL N/A		11/27/12 1/2/13 1/2/13 1/2/13		POWEREX 150 PRODUCTION DRIVE, HARRISON, OHIO 45030 Ph 888-769-7979 FAX (513) 367-3125	
PART NAME 2HP LAB CLAW VAC DUPLEX VERT, 80G TANK		DWG NO LCV0203		SIZE D	

8 7 6 5 4 3 2 1

REV	ZONE	REVISION	DATE	ECN	NAME	CHKD
B-1	ALL	RELEASE TO PRODUCTION	1/2/13	PXEC003	GES	DMS
C-1	ALL	UPDATED TO PUMP WITH NEMA RATED MOTOR	11/15/16	PXEC0149	AEK	GES



NOTE:
A 1/4 INCH VENT PLUG IS
LOCATED IN THE FILTER HOUSING.

LEGEND	
	TEMP. SWITCH
	BUTTERFLY VALVE
	AIR FILTER
	BALL VALVE
	VACUUM SWITCH
	CHECK VALVE
	FLEX LINE
	UNION

NOTE:
1) TSH - TEMPERATURE SWITCH HIGH
2) PER NFPA THE SYSTEM WILL REQUIRE A SOURCE VALVE (SUPPLIED BY OTHERS).

SYMBOL LEGEND ⊖ = MINUS DRAFT ⊕ = PLUS DRAFT ⊕ = ADDITIONAL CONTROL REQ'D ⊕ = BRINELL HARDNESS		Drawings to conform to the current revision of the following ANSI standards: Y14.3 Multi and sectional view dsgs. Y14.5M Dimensioning and tolerancing	
TOLERANCES NOT SPECIFIED .XX ± .XXX ± \angle (DEG) ±		DO NOT SCALE DRAWING FOR DIMENSIONS AUTOCAD REL2008 LT INCH Sheet 2 of 2 SCALE 1:12	
CONFIDENTIAL DISCLOSURE This drawing is the property of POWEREX, INC. of the SCOTT FETZER COMPANY and subject to return on demand. Its contents are confidential and must not be copied or submitted to outside parties for use or examination.		DRAWN BY: GES CHECKED BY: DMS APPROVED BY: JBC, CT 11/27/12 1/2/13 1/2/13 1/2/13	
MATERIAL: N/A		 150 PRODUCTION DRIVE, HARRISON, OHIO 45030 Ph: 888-769-7979 FAX: (513) 367-3125	
PART NAME: LAB CLAW VAC DUPLEX FLOW SCHEMATIC		DWG NO: LCV0203 SIZE: D	