

UTILITY DATA, MODEL KNWA00-C/H

| OPERATING AND MAX PRESSURE | NAME PLATE POWER | HEAT REJECTION TO AIR | APPROX. POWER CONSUMPTION | APPROX. SHIPPING WEIGHT |
|----------------------------|------------------|-----------------------|---------------------------|-------------------------|
| PSIG                       | HP               | BTU/MIN               | KW                        | LB                      |
| 125                        | 40               | 1,930                 | 37                        | 2,480                   |

UTILITY DATA, MODEL KNWA00-D/L

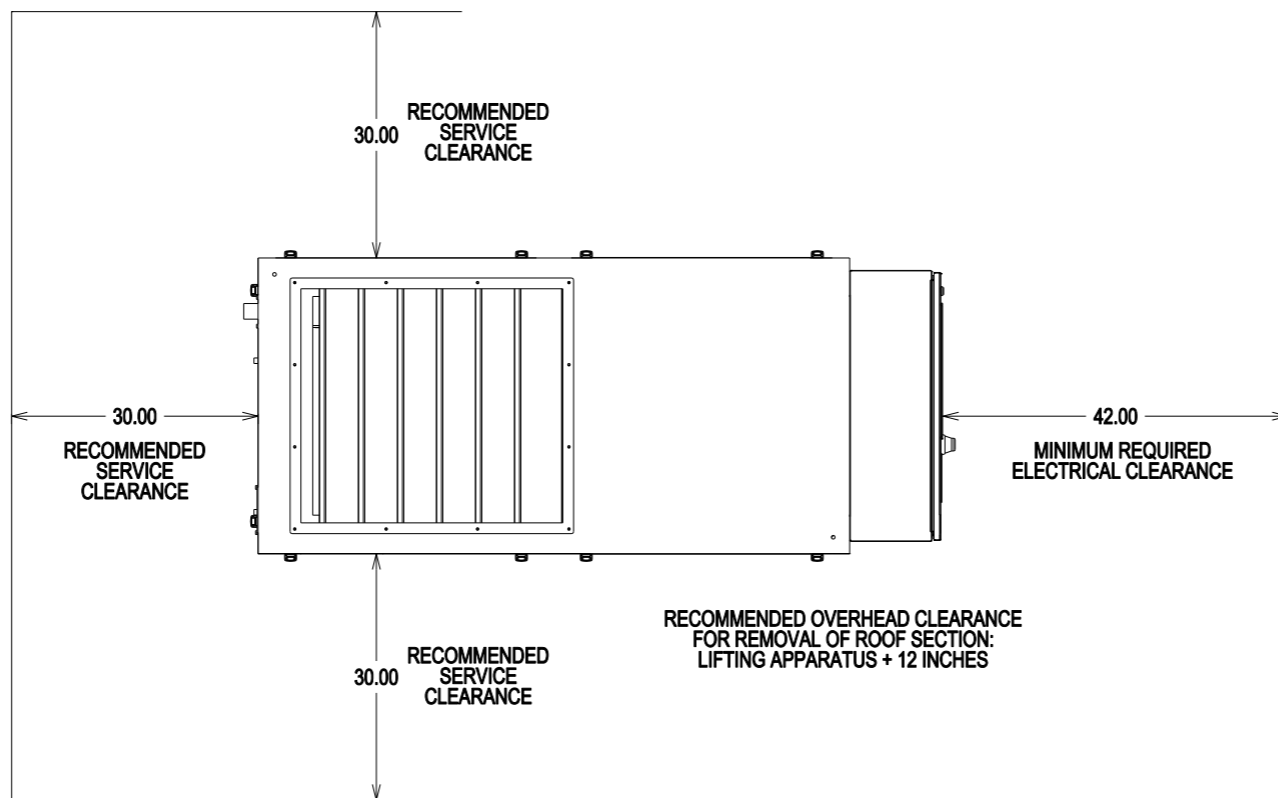
| OPERATING AND MAX PRESSURE | NAME PLATE POWER | HEAT REJECTION TO AIR | APPROX. POWER CONSUMPTION | APPROX. SHIPPING WEIGHT |
|----------------------------|------------------|-----------------------|---------------------------|-------------------------|
| PSIG                       | HP               | BTU/MIN               | KW                        | LB                      |
| 100                        | 40               | 2250                  | 43                        | 2,480                   |

ELECTRICAL REQUIREMENTS: 3Ø, 60 Hz, 480 VOLTS

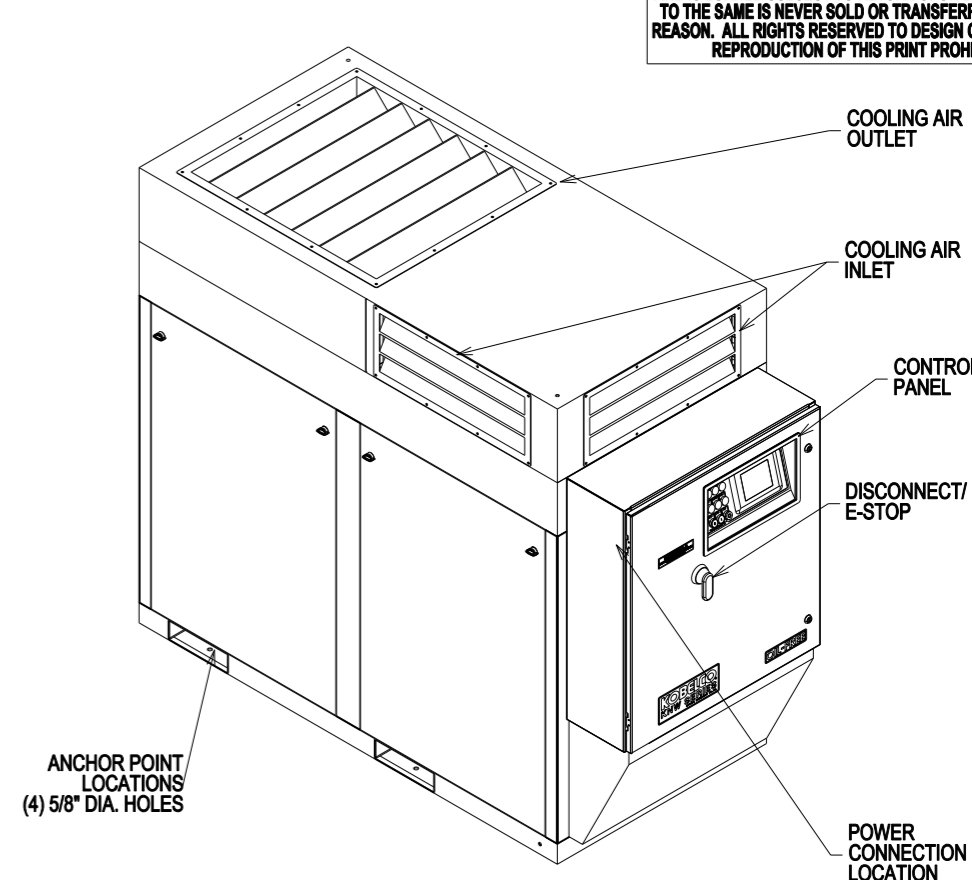
NOTES:  
 1. PERFORMANCE DATA SHOWN IS FOR STANDARD CONDITIONS OF AMBIENT PRESSURE 14.5 PSIA, AMBIENT TEMPERATURE 80°F, RELATIVE HUMIDITY 60%. OPERATION IN OTHER CONDITIONS WILL AFFECT PERFORMANCE.  
 2. VALUES WILL VARY ±4% FOR CAPACITY AND ±5% FOR SPECIFIC POWER.

NOT SUITABLE FOR OUTDOOR WEATHER.

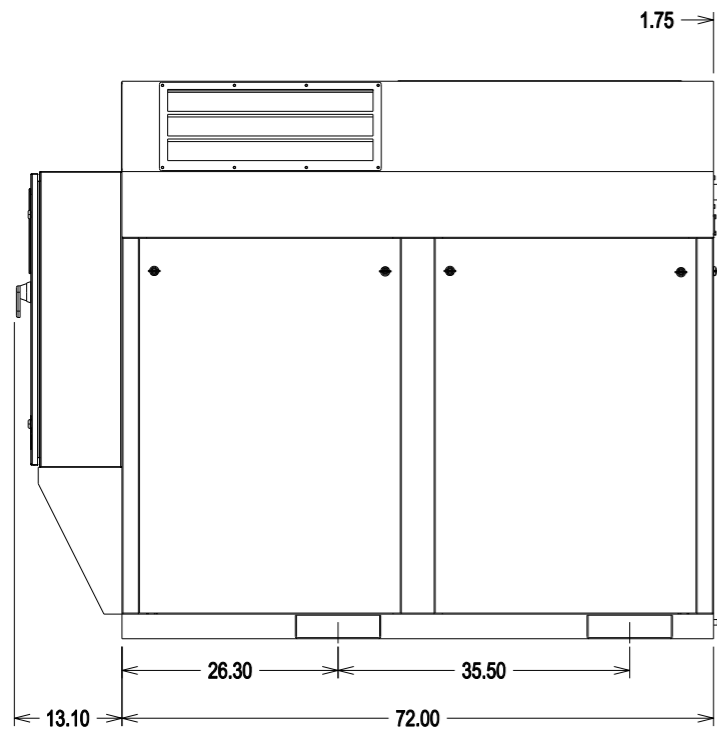
TOP VIEW WITH RECOMMENDED SERVICE CLEARANCES



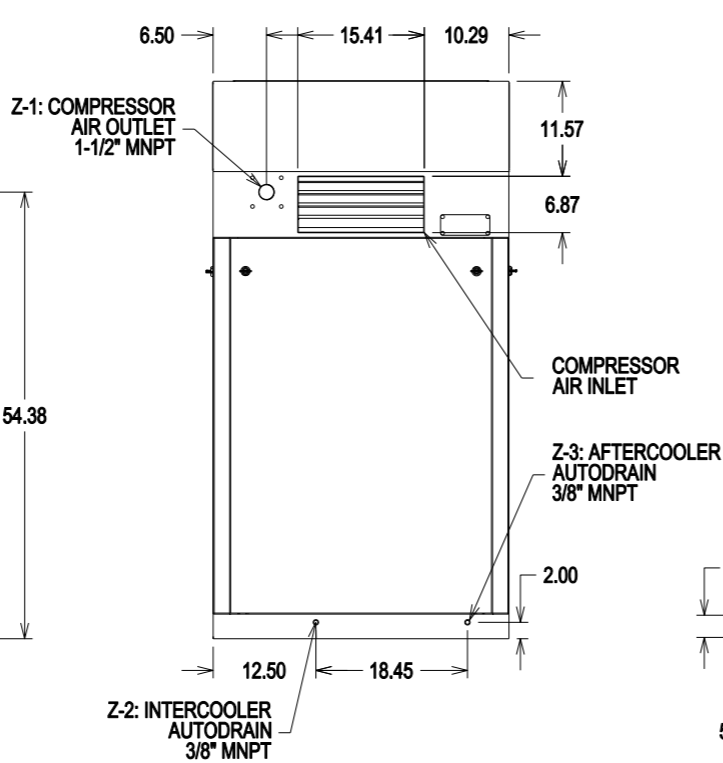
ISOMETRIC VIEW



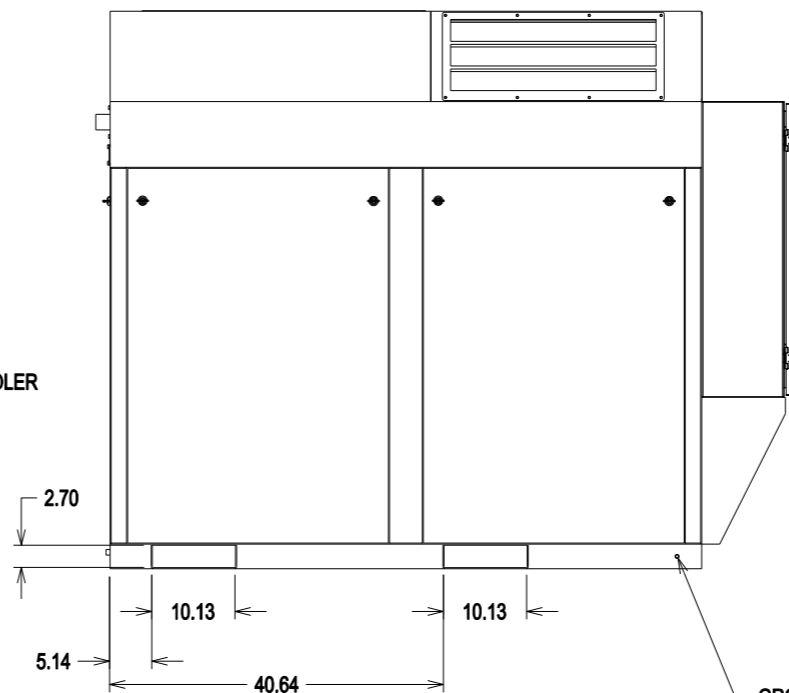
**PROPRIETARY**  
 THIS PRINT IS THE PROPERTY OF ROGERS MACHINERY CO. AND IS LOANED SUBJECT TO RETURN UPON DEMAND. TITLE TO THE SAME IS NEVER SOLD OR TRANSFERRED FOR ANY REASON. ALL RIGHTS RESERVED TO DESIGN OR INVENTION. REPRODUCTION OF THIS PRINT PROHIBITED.



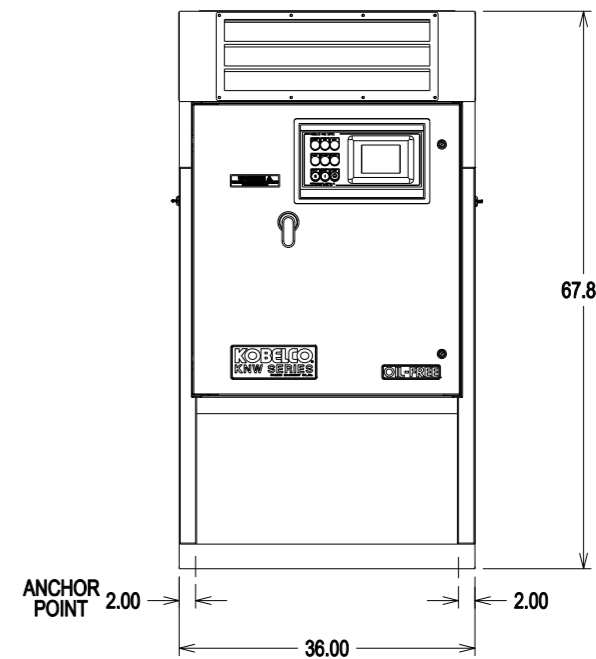
RIGHT VIEW



BACK VIEW



LEFT VIEW



FRONT VIEW

DIMENSIONS IN INCHES



**ROGERS MACHINERY COMPANY, INC.**  
 CORPORATE ENGINEERING  
 14650 S.W. 72ND AVENUE  
 PORTLAND, OREGON 97224  
 www.rogers-machinery.com

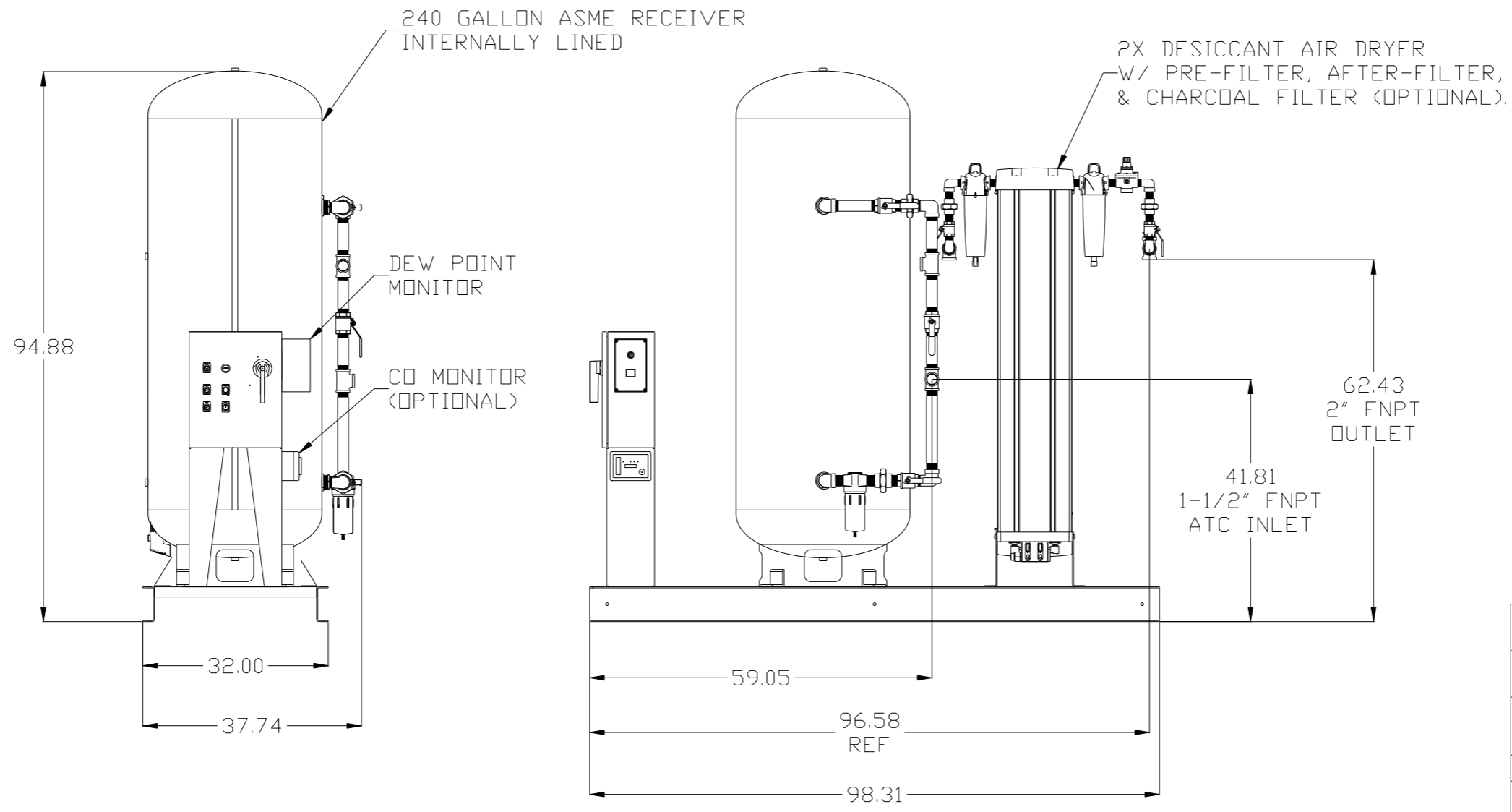
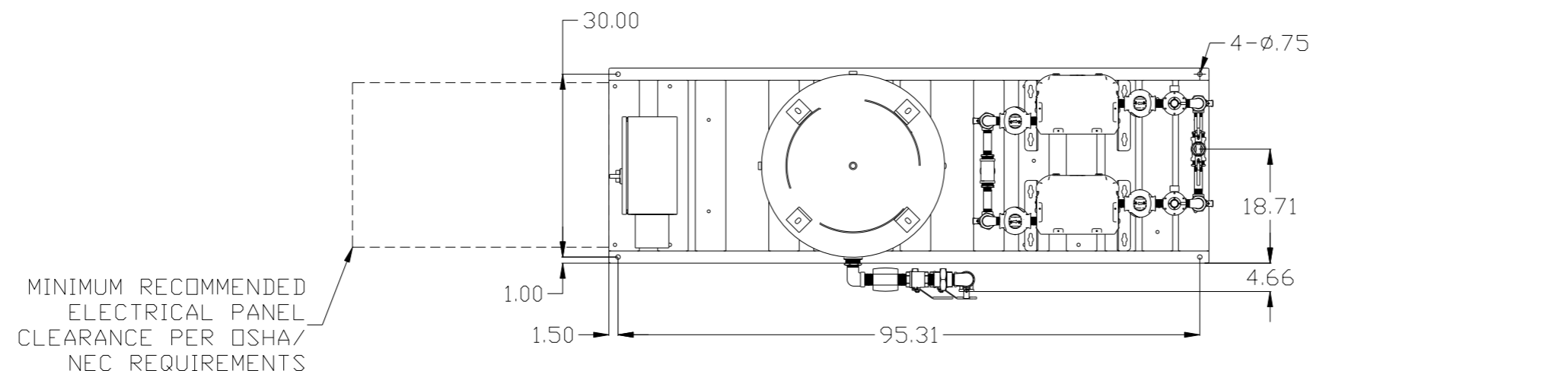
| REV | DATE | BY | DESCRIPTION |
|-----|------|----|-------------|
|     |      |    |             |

|         |               |            |
|---------|---------------|------------|
| DRAWN   | G.E. WILKER   | 4DEC13     |
| CHECKED |               |            |
| SIZE    | B             | SCALE 1:24 |
| SERIAL# | POWEREX - TBD |            |

**COMPRESSOR ASSEMBLY**  
 KOBELCO KNW SERIES AIR COMPRESSOR  
 MODEL KNWA00-C/H or D/L, AIR-COOLED  
 WYE-DELTA STARTER  
 STANDARD ASSEMBLY

**DRAWING NUMBER**  
**K40345A.0**  
 SHEET 1 OF 1

| REV | ZONE | REVISION               | DATE     | ECN      | NAME | CHKD |
|-----|------|------------------------|----------|----------|------|------|
| A-1 | ALL  | SUBMITTAL DRAWINGS     | 8/7/13   | PREC0052 | RK   | AEK  |
| B-1 | ALL  | RELEASE FOR PRODUCTION | 04/23/13 | PREC0052 | RK   | AEK  |



**SYMBOL LEGEND**

⊖ = MINUS DRAFT      ⊕ = PLUS DRAFT

⊕ = ADDITIONAL CONTROL REQ'D

⊕ = BRINELL HARDNESS

Drawings to conform to the current revision of the following ANSI standards:  
 Y14.3 Multi- and sectional view dgs.  
 Y14.5M Dimensioning and tolerancing

TOLERANCES NOT SPECIFIED: .XX ±, .XXX ±, <math>\angle</math> DEG. ±

AUTOCAD REL2008 LT

DO NOT SCALE DRAWING FOR DIMENSIONS

Sheet 2 of 4      SCALE 1:12

**CONFIDENTIAL DISCLOSURE**  
 This drawing is the property of POWEREX, INC. of the SCOTT FETZER COMPANY and subject to return on demand. Its contents are confidential and must not be copied or submitted to outside parties for use or examination.

|          |            |             |           |
|----------|------------|-------------|-----------|
| DRAWN BY | CHECKED BY | APPROVED BY | MFG/MRKTG |
| RK       | AEK        | JA          | CT        |
| 8/6/13   | 8/7/13     | 8/7/12      | 8/7/12    |

MATERIAL: N/A

PART NAME: DRYER PACKAGE SKID

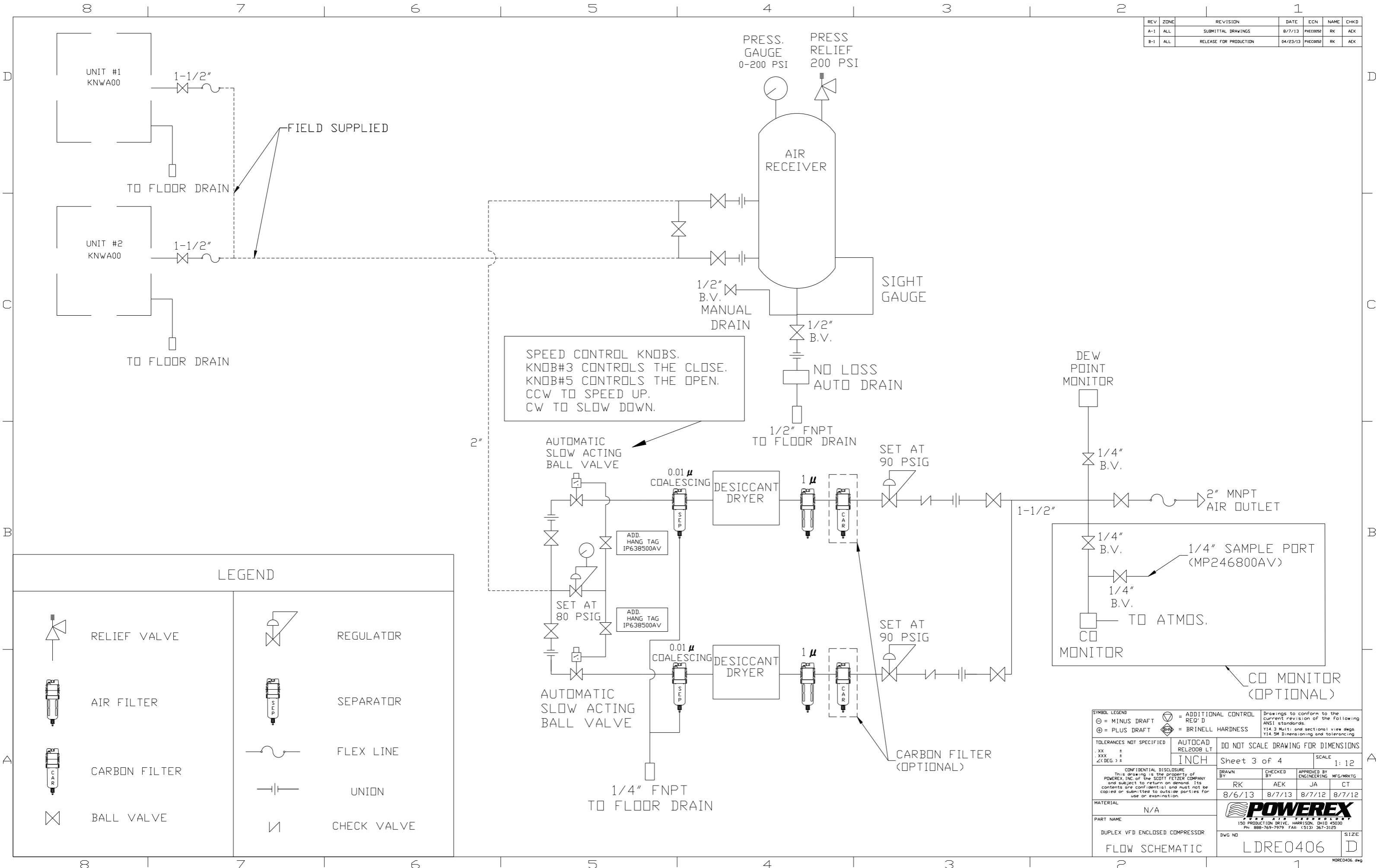
32" x 98.31"

DWG NO: LDRE0406      SIZE: D

150 PRODUCTION DRIVE, HARRISON, OHIO 45030  
 Ph: 888-769-7979 FAX: (513) 367-3125

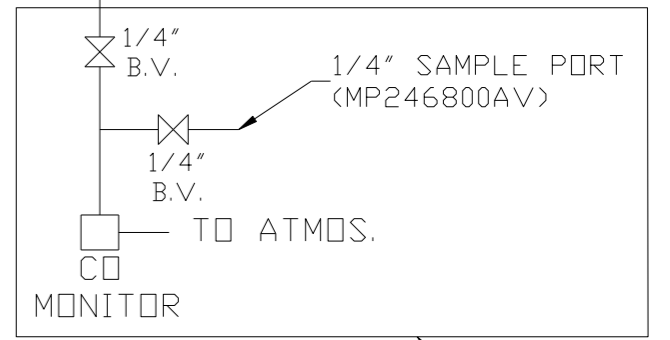
MDRE0406.dwg

| REV | ZONE | REVISION               | DATE     | ECN      | NAME | CHKD |
|-----|------|------------------------|----------|----------|------|------|
| A-1 | ALL  | SUBMITTAL DRAWINGS     | 8/7/13   | PKEC0052 | RK   | AEK  |
| B-1 | ALL  | RELEASE FOR PRODUCTION | 04/23/13 | PKEC0052 | RK   | AEK  |



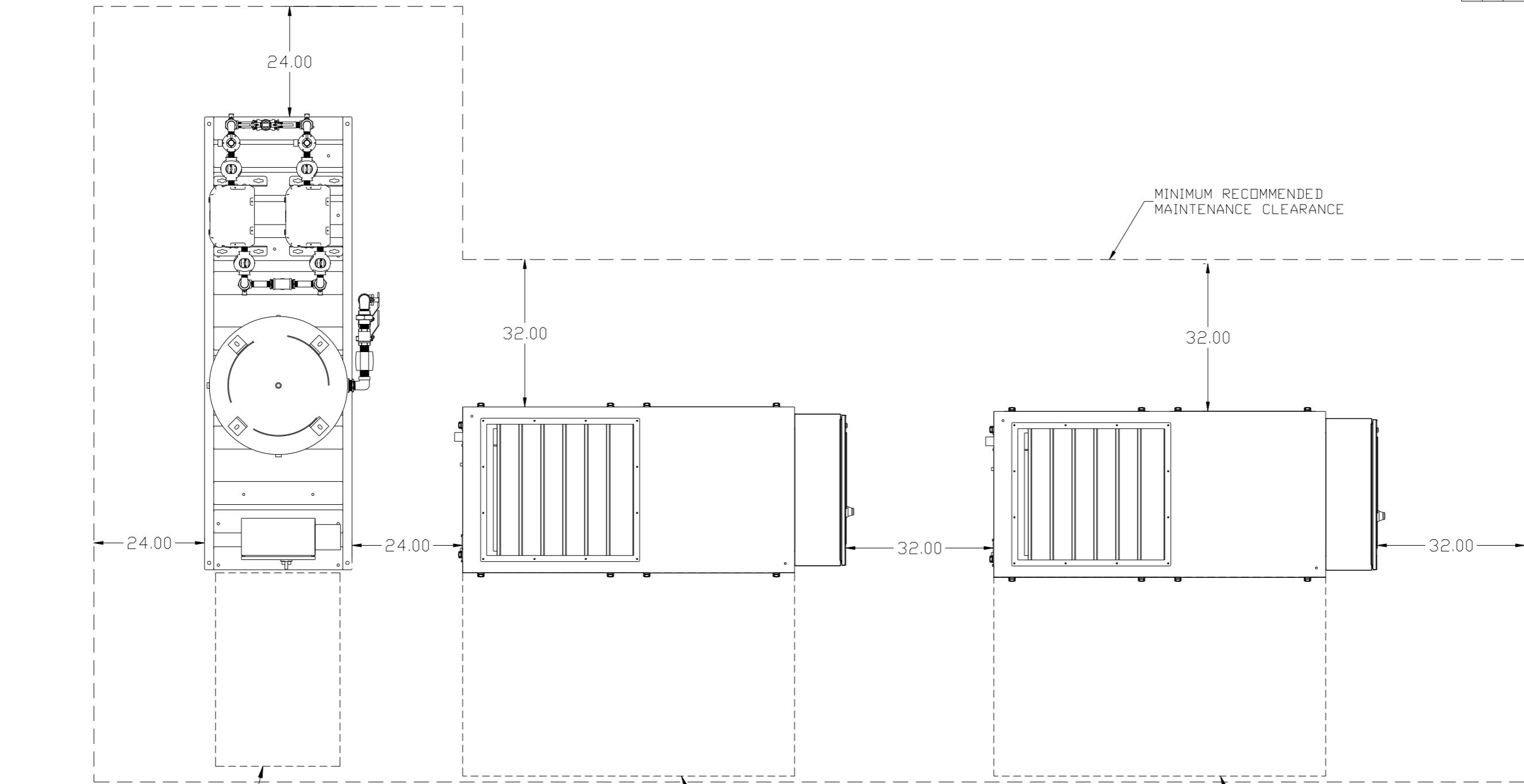
SPEED CONTROL KNOBS.  
 KNOB#3 CONTROLS THE CLOSE.  
 KNOB#5 CONTROLS THE OPEN.  
 CCW TO SPEED UP.  
 CW TO SLOW DOWN.

| LEGEND |               |
|--------|---------------|
|        | RELIEF VALVE  |
|        | AIR FILTER    |
|        | CARBON FILTER |
|        | BALL VALVE    |
|        | REGULATOR     |
|        | SEPARATOR     |
|        | FLEX LINE     |
|        | UNION         |
|        | CHECK VALVE   |



|  |              |  |   |
|--|--------------|--|---|
| SYMBOL LEGEND  |              | = ADDITIONAL CONTROL REQ'D   | Drawings to conform to the current revision of the following ANSI standards |
| = MINUS DRAFT  | = PLUS DRAFT | = BRINELL HARDNESS   | Y14.3 Multi and sectional view dngs.<br>Y14.5M Dimensioning and tolerancing |
| TOLERANCES NOT SPECIFIED   |              | AUTOCAD REL2008 LT   | DO NOT SCALE DRAWING FOR DIMENSIONS   |
| .XX ±  | .XXX ±       | INCH   | Sheet 3 of 4  |
| << DEG. >> ±   |              |  | SCALE 1:12  |
| CONFIDENTIAL DISCLOSURE<br>This drawing is the property of POWEREX, INC. of the SCOTT FETZER COMPANY and subject to return on demand. Its contents are confidential and must not be copied or submitted to outside parties for use or examination. |              |  |   |
| DRAWN BY   | CHECKED BY   | APPROVED BY  | DATE  |
| RK   | AEK          | JA   | CT  |
| 8/6/13   | 8/7/13       | 8/7/12   | 8/7/12  |
| MATERIAL N/A   |              |  |   |
| PART NAME<br>DUPLX VFD ENCLOSED COMPRESSOR   |              | 150 PRODUCTION DRIVE, HARRISON, OHIO 45030<br>Ph: 888-769-7979 FAX: (513) 367-3125 |   |
| DWG NO<br>FLOW SCHEMATIC   |              | SIZE<br>LDRE0406 D   |   |

| REV | ZONE | REVISION               | DATE     | ECN      | NAME | CHKD |
|-----|------|------------------------|----------|----------|------|------|
| A-1 | ALL  | SUBMITTAL DRAWINGS     | 8/7/13   | PKEC0052 | RK   | AEK  |
| B-1 | ALL  | RELEASE FOR PRODUCTION | 04/23/13 | PKEC0052 | RK   | AEK  |



MINIMUM RECOMMENDED ELECTRICAL PANEL CLEARANCE PER OSHA/NEC REQUIREMENTS

MINIMUM RECOMMENDED ELECTRICAL PANEL CLEARANCE PER OSHA

MINIMUM RECOMMENDED ELECTRICAL PANEL CLEARANCE PER OSHA

|  |  |  |                   |  |                |
|--|--|--|-------------------|--|----------------|
| <b>SYMBOL LEGEND</b><br>⊖ = MINUS DRAFT<br>⊕ = PLUS DRAFT<br>TOLERANCES NOT SPECIFIED<br>.XX ±<br>.XXX ±<br><DEG. > ±  |  | ⊕ = ADDITIONAL CONTROL REQ'D<br>HRC = BRINELL HARDNESS<br>AUTOCAD REL2008 LT<br>INCH   |                   | Drawings to conform to the current revision of the following ANSI standards:<br>Y14.3 Multi and sectional view dings<br>Y14.5M Dimensioning and tolerancing<br>DO NOT SCALE DRAWING FOR DIMENSIONS<br>Sheet 4 of 4<br>SCALE 1:12 |                |
| <b>CONFIDENTIAL DISCLOSURE</b><br>This drawing is the property of POWEREX, INC. of the SCOTT FELTZ COMPANY and subject to return on demand. Its contents are confidential and must not be copied or submitted to outside parties for use or examination. |  | DRAWN BY<br>RK   | CHECKED BY<br>AEK | APPROVED BY<br>JA  | MFG/MKTG<br>CT |
| MATERIAL<br>N/A  |  | 8/6/13   | 8/7/13            | 8/7/12   | 8/7/12         |
| PART NAME<br>DUPLEX ENCLOSED COMPRESSOR<br>INSTALLATION  |  | <br>150 PRODUCTION DRIVE, HARRISON, OHIO 45030<br>Ph: 888-769-7979 FAX: (513) 367-3125 |                   | DWG NO<br>LDRE0406   | SIZE<br>D      |