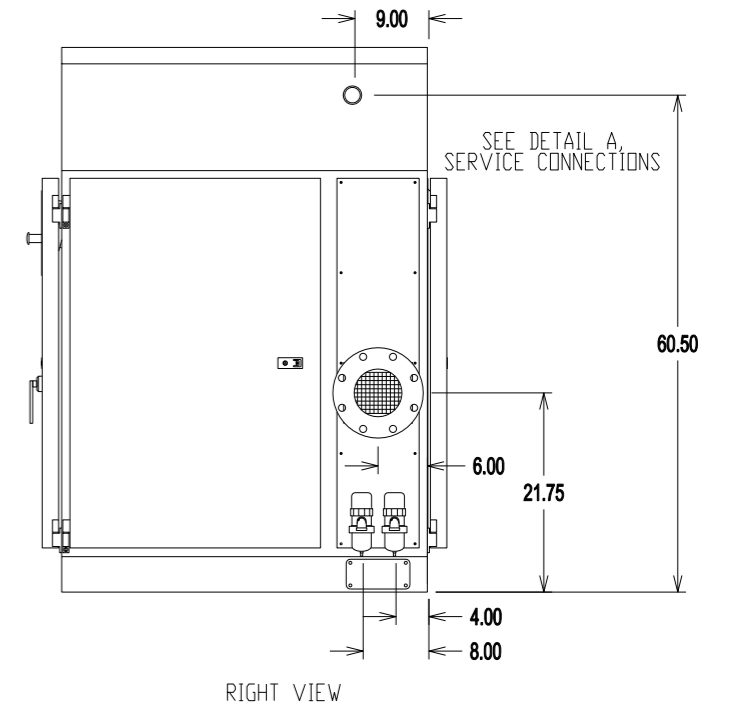
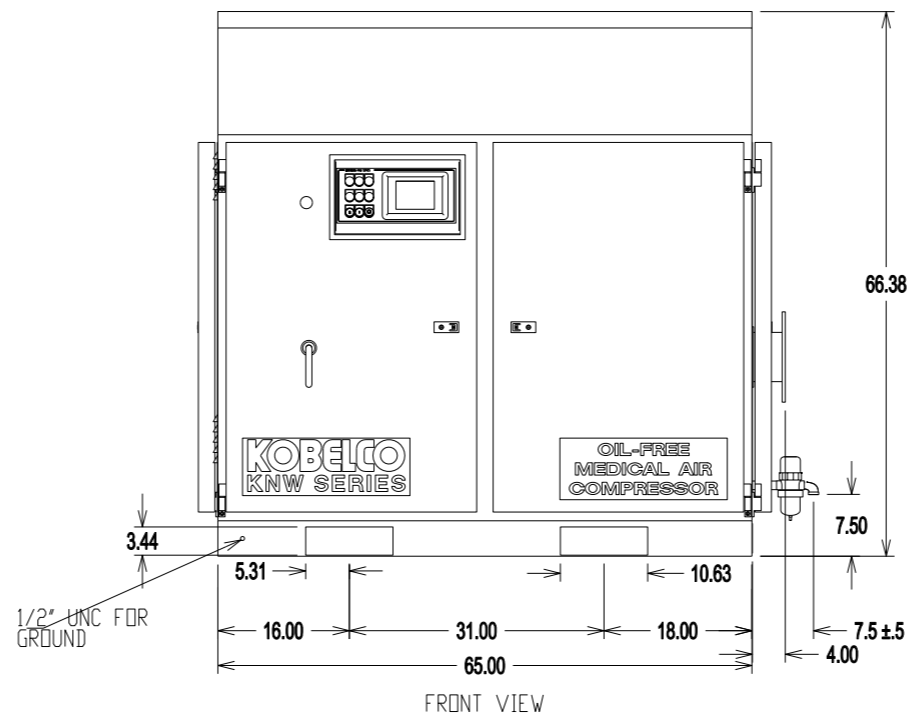
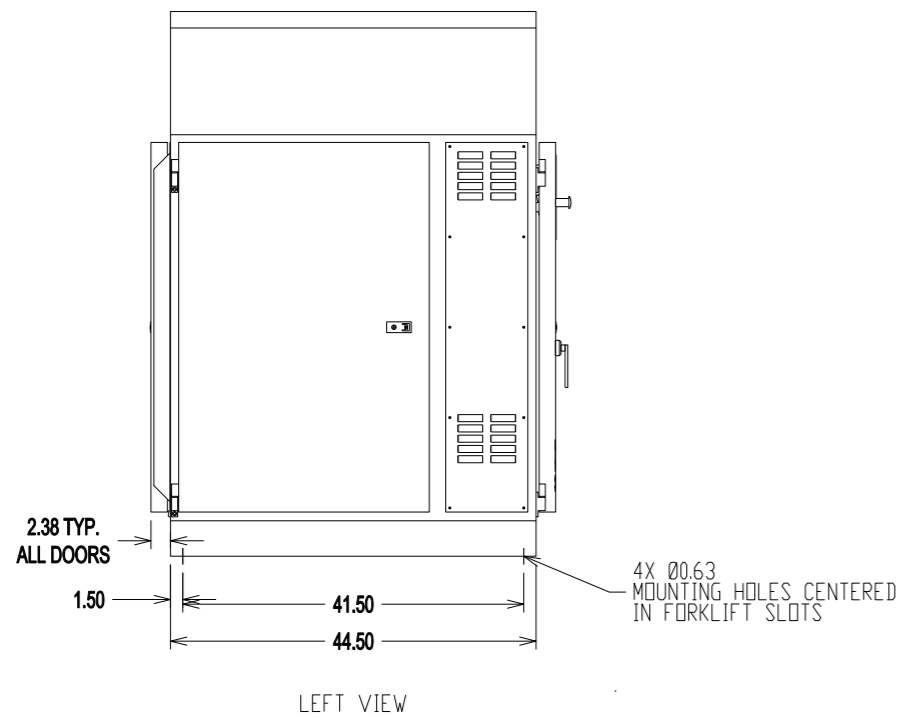
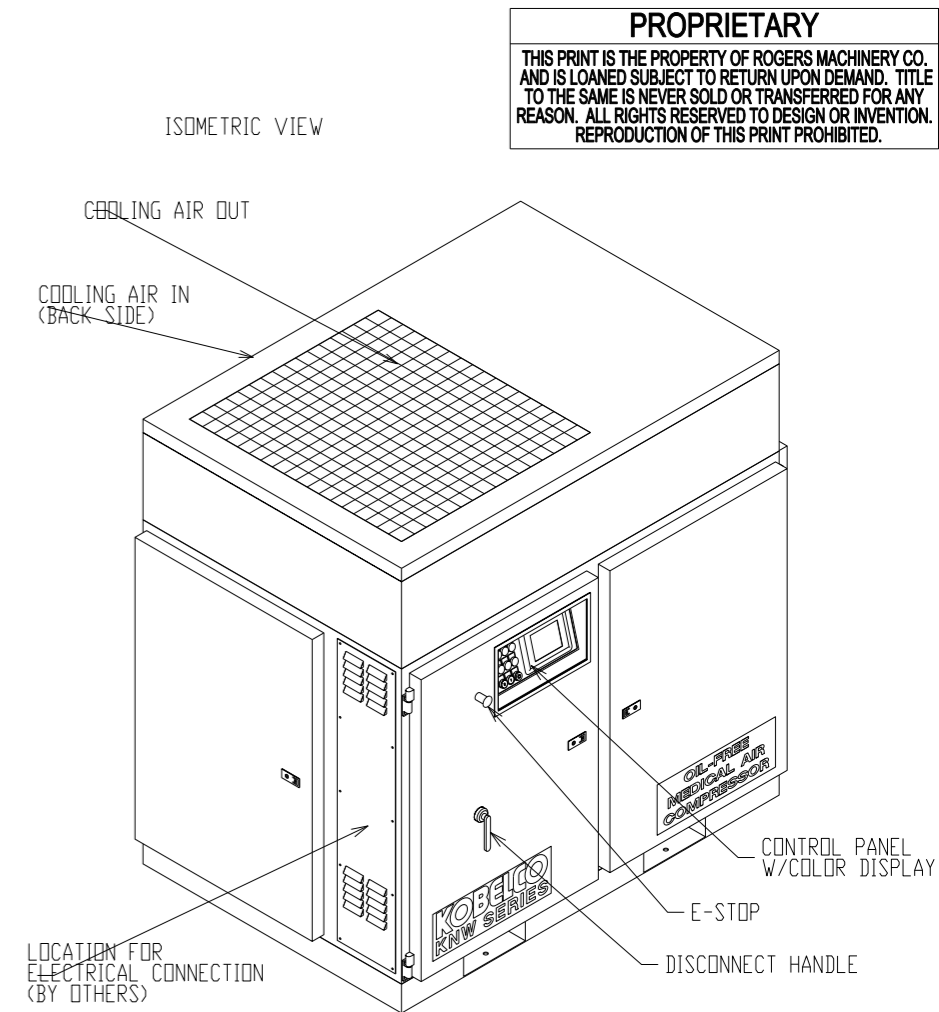
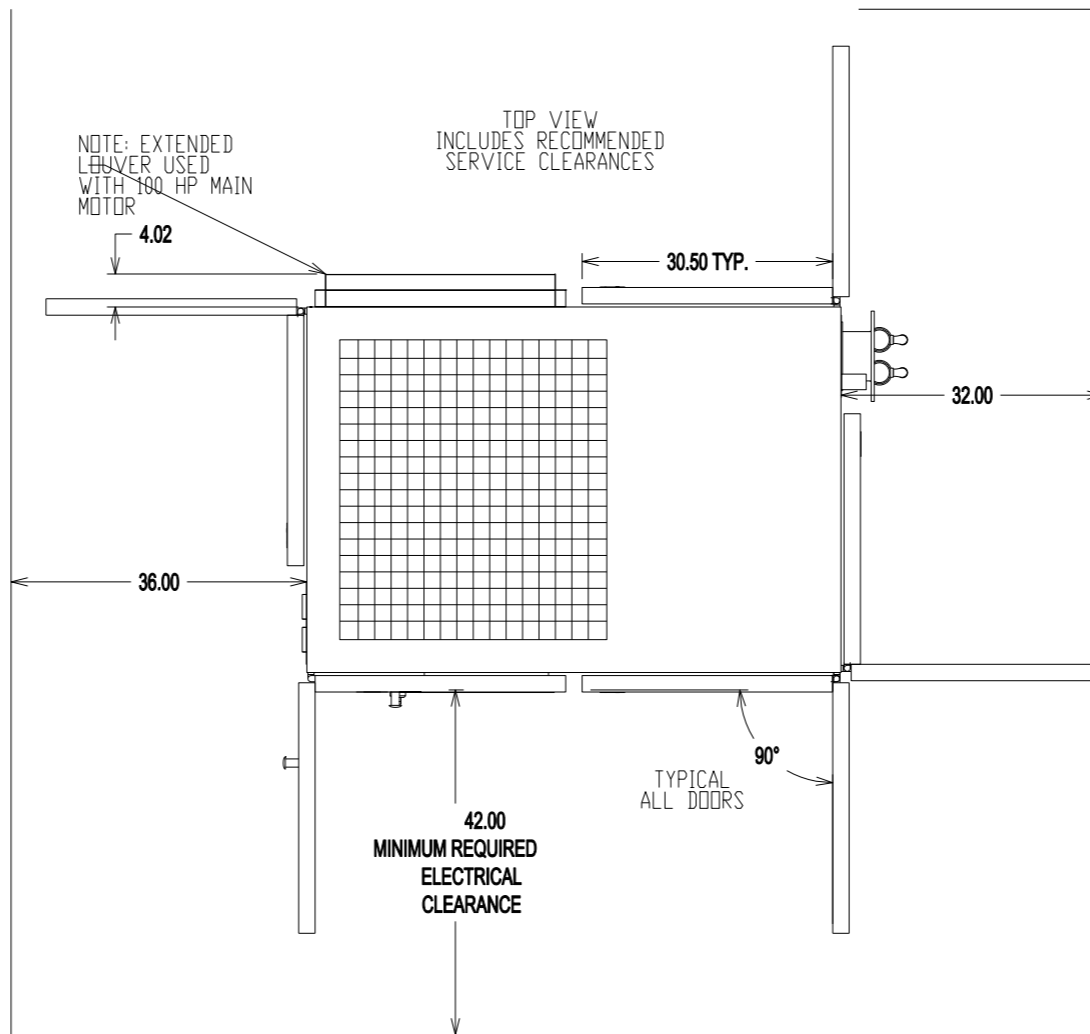
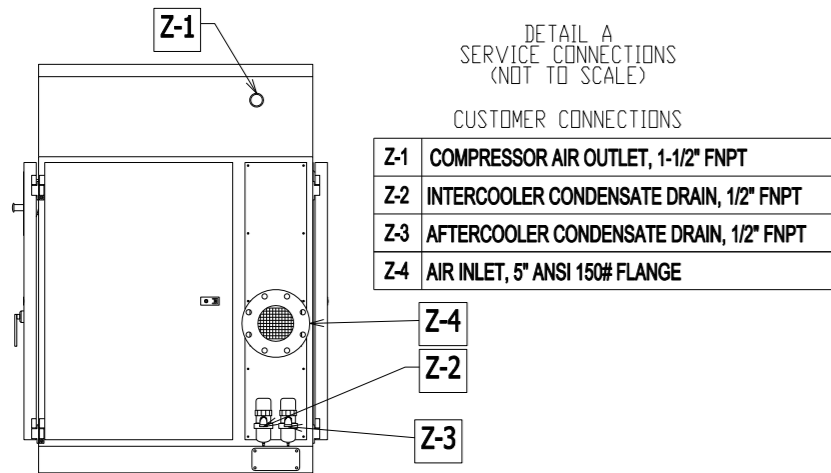


UTILITY REQUIREMENTS

MODEL	PRESSURE	NAMEPLATE HORSEPOWER	COOLING FAN OUTPUT CFM	HEAT REJECTION TO AIR BTU/MIN	APPROX. POWER CONSUMPTION kW	APPROX. SHIPPING WEIGHT LB
A/H	125 PSIG (OPERATING) 150 PSIG (MAX WORKING)	50	6500	2350	45	3670
B/L	100 PSIG (OPERATING)	50	6500	2590	49	3670
B/H	125 PSIG (OPERATING) 150 PSIG (MAX WORKING)	60	6500	2900	55	3740
C/L	100 PSIG (OPERATING)	60	6500	3160	59	3740
C/H	125 PSIG (OPERATING) 150 PSIG (MAX WORKING)	75	6500	3540	66	3880
D/L	100 PSIG (OPERATING)	75	6500	3580	67	3880
D/H	125 PSIG (OPERATING) 135 PSIG (MAX WORKING)	100	6500	4020	74	3910
E/L	100 PSIG (OPERATING)	100	6500	4420	81	3910

ELECTRICAL REQUIREMENTS: 3Ø, 60Hz, 480V

- NOTES**
 1. PERFORMANCE DATA SHOWN IS FOR STANDARD CONDITIONS OF AMBIENT PRESSURE 14.5 PSIA, AMBIENT TEMPERATURE 80°F, RELATIVE HUMIDITY 60%. OPERATION IN OTHER CONDITIONS WILL AFFECT PERFORMANCE.
 2. VALUES WILL VARY ±4% FOR CAPACITY AND ±5% FOR SPECIFIC POWER.



DIMENSIONS ARE IN INCHES UNLESS OTHERWISE NOTED

ROGERS MACHINERY COMPANY, INC.
 CORPORATE ENGINEERING
 14650 S.W. 72ND AVENUE
 PORTLAND, OREGON 97224
 www.rogers-machinery.com

REV	DATE	BY	CK	DESCRIPTION

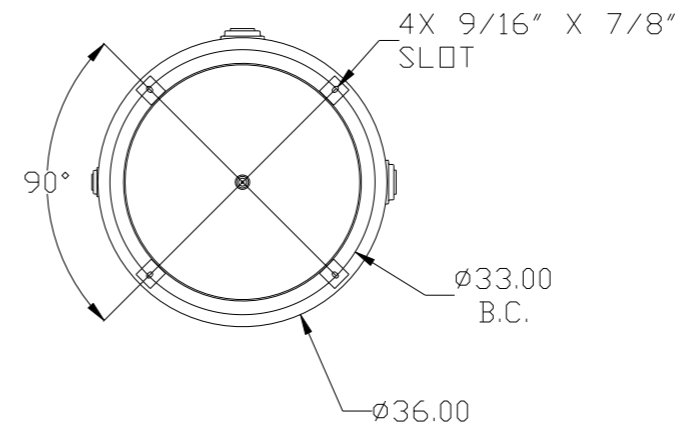
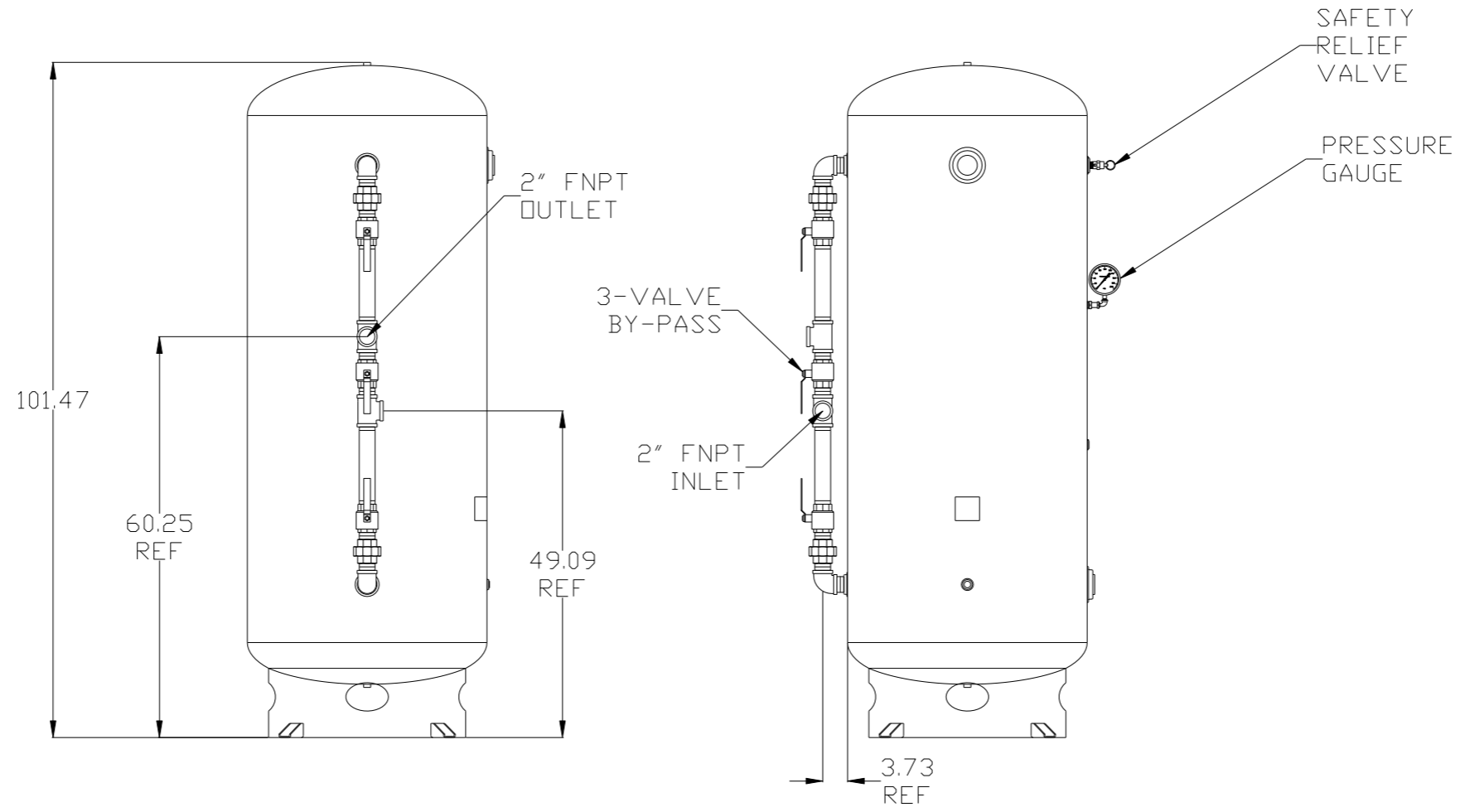
DRAWN	G.E. WILKER	05DEC13
CHECKED		
SIZE	B	SCALE 1:24
SERIAL#	POWEREX - TBD	

COMPRESSOR ASSEMBLY
 KOBELCO KNW SERIES AIR COMPRESSOR
 MODEL KNWA0, AIR-COOLED
 WYE-DELTA STARTER, NFPA99 HEALTHCARE

DRAWING NUMBER
K00756A.0
 SHEET 1 OF 1

GALLONS	SIZE	DESIGN PRESSURE	WEIGHT lbs.	DESCRIPTION
400	36 x 101	165 PSI	880	ASME VERTICAL INDUSTRIAL w/BASE RING

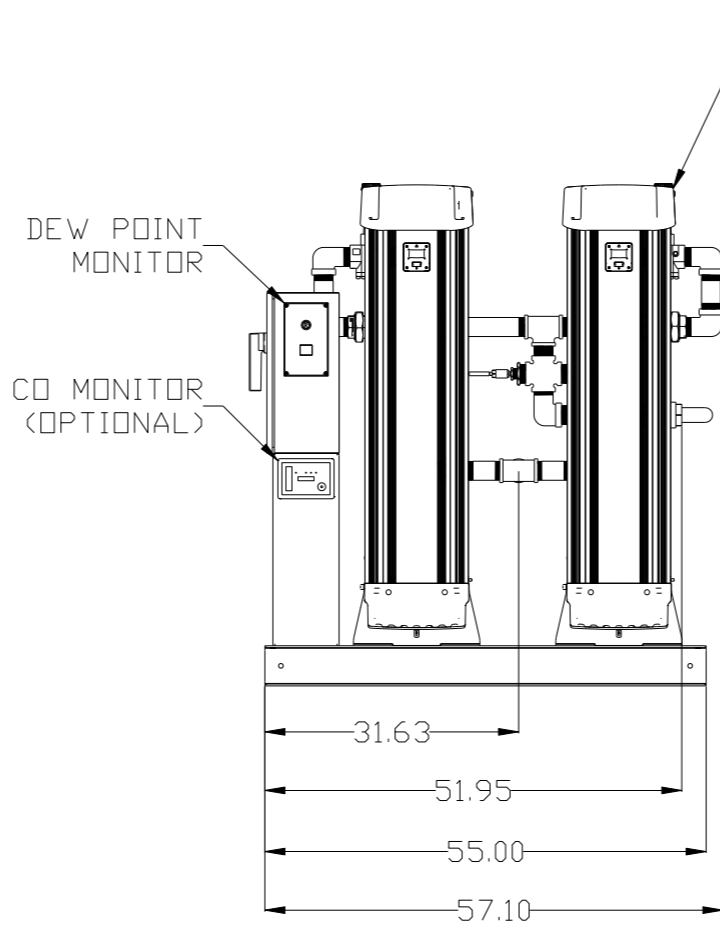
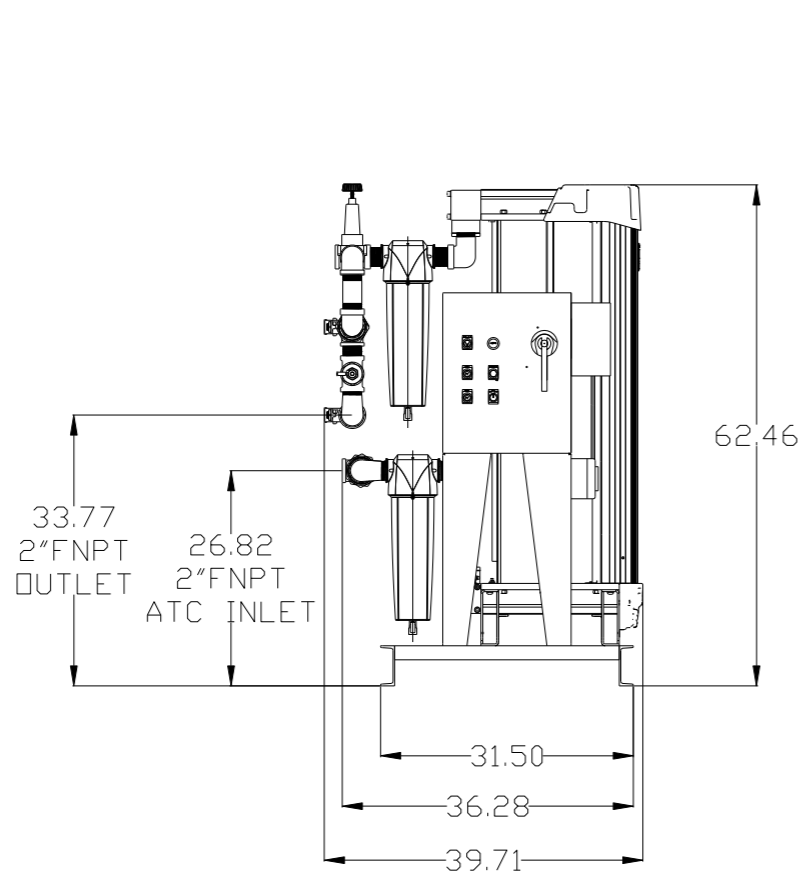
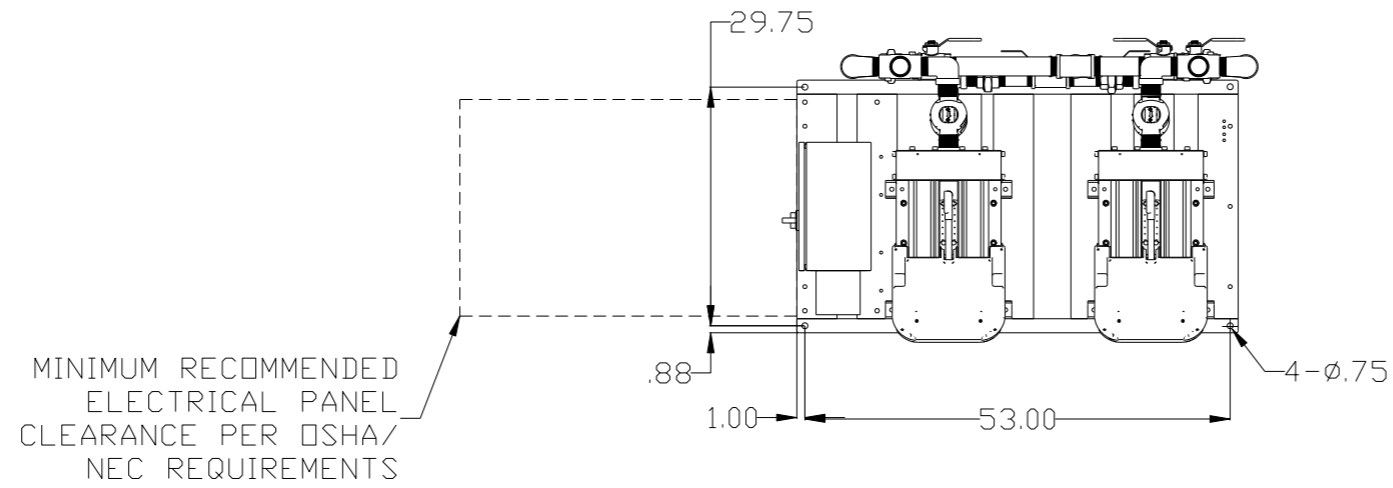
REV	ZONE	REVISION	DATE	ECN	NAME	CHKD
A-1	ALL	SUBMITTAL DRAWINGS	8/7/13	PXEC0052	RK	AEK
B-1	ALL	RELEASE FOR PRODUCTION	8/7/13	PXEC0052	RK	AEK
C-1	ALL	CHANGED TANK PSI FROM 200 TO 165	4/26/18	PXEC0229	DMS	GES



NOTES:
 1) ASME CERTIFIED VESSEL
 2) ALL DIMENSIONS ARE REFERENCE DIMENSIONS
 3) APPROXIMATE WT. - 880 LBS.

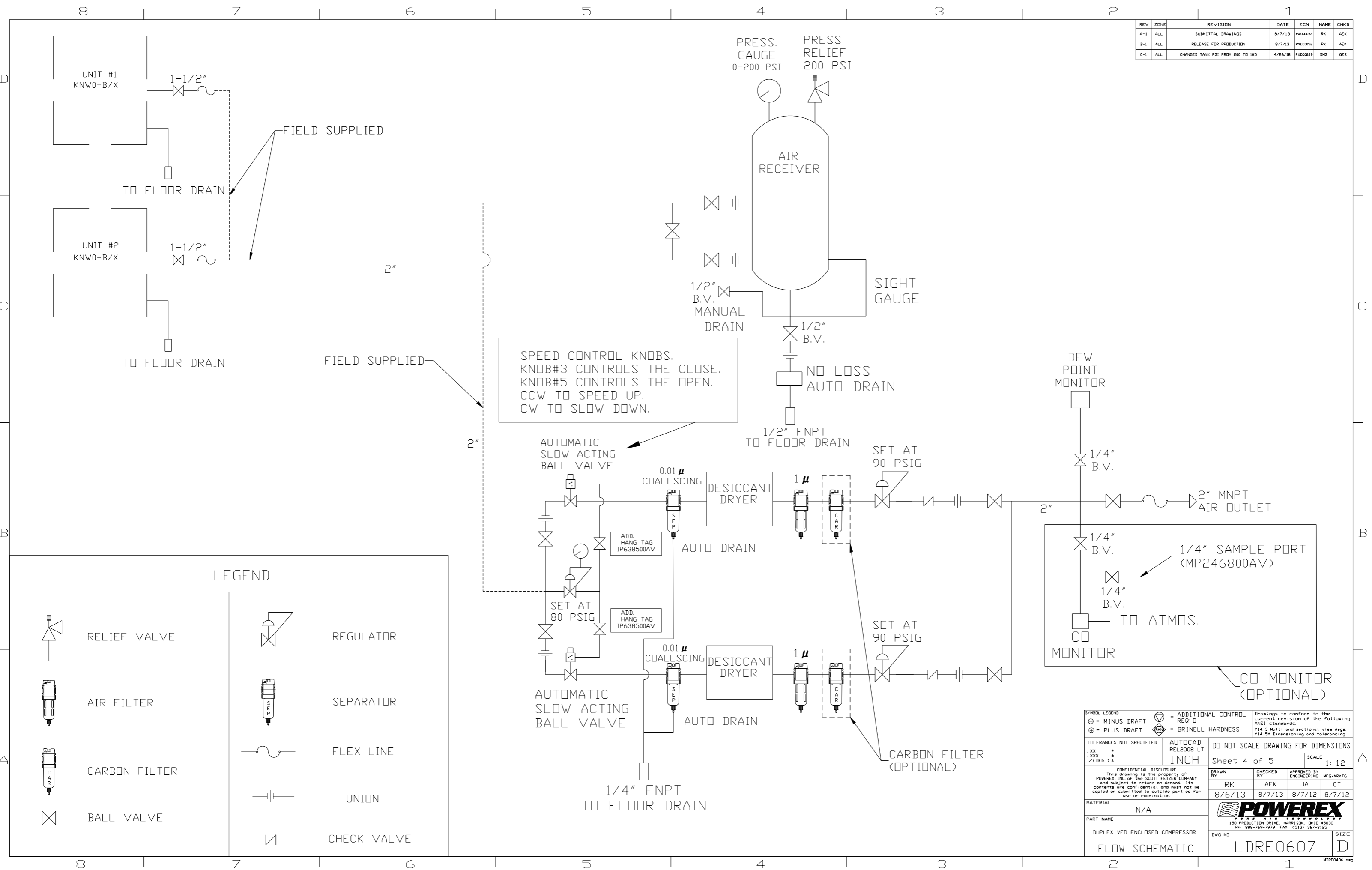
SYMBOL LEGEND	⊖ = MINUS DRAFT	⊕ = PLUS DRAFT	⊕ = ADDITIONAL CONTROL REQ'D	⊕ = BRINELL HARDNESS	Drawings to conform to the current revision of the following ANSI standards: Y14.3 Multi and sectional view dngs Y14.5M Dimensioning and tolerancing
TOLERANCES NOT SPECIFIED	.XX ±	.XXX ±	∠(DEG.) ±	AUTOCAD REL2008 LT	DO NOT SCALE DRAWING FOR DIMENSIONS
CONFIDENTIAL DISCLOSURE This drawing is the property of POWEREX, INC. of the SCOTT FETZER COMPANY and subject to return on demand. Its contents are confidential and must not be copied or submitted to outside parties for use or examination.				INCH	Sheet 2 of 5
DRAWN BY		CHECKED BY	APPROVED BY	DATE	SCALE
RK		AEK	JA	CT	1:12
8/6/13		8/7/13	8/7/12	8/7/12	
MATERIAL					
PART NAME			150 PRODUCTION DRIVE, HARRISON, OHIO 45030 Ph: 888-769-7979 FAX: (513) 367-3125		
40-100HP VFD TRIPLEX ENCLOSED COMPRESSOR			DWG NO		SIZE
400 GALLON DUAL DESICCANT PACKAGE			LDRE0607		D

REV	ZONE	REVISION	DATE	ECN	NAME	CHKD
A-1	ALL	SUBMITTAL DRAWINGS	8/7/13	PREC0052	RK	AEK
B-1	ALL	RELEASE FOR PRODUCTION	8/7/13	PREC0052	RK	AEK
C-1	ALL	CHANGED TANK PSI FROM 200 TO 165	4/26/18	PREC0229	DMS	GES

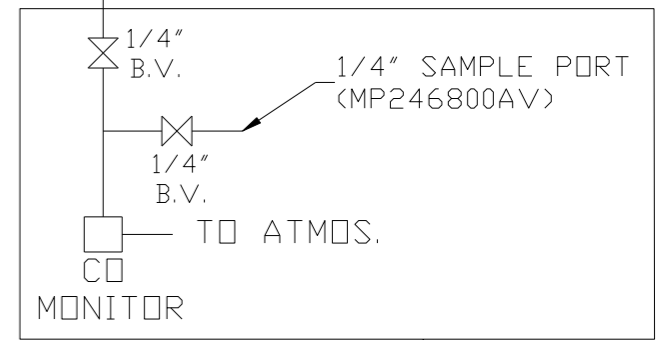


SYMBOL LEGEND ⊖ = MINUS DRAFT ⊕ = PLUS DRAFT TOLERANCES NOT SPECIFIED .XX ± .XXX ± \angle (DEG) ±		= ADDITIONAL CONTROL REQ'D = BRINELL HARDNESS		Drawings to conform to the current revision of the following ANSI standards: Y14.3 Multi and sectional view dgs Y14.5M Dimensioning and tolerancing
AUTOCAD REL2008 LT INCH		DO NOT SCALE DRAWING FOR DIMENSIONS Sheet 3 of 5 SCALE 1:12		
CONFIDENTIAL DISCLOSURE This drawing is the property of POWEREX, INC. of the SCOTT FELTZER COMPANY and subject to return on demand. Its contents are confidential and must not be copied or submitted to outside parties for use or examination.				
DRAWN BY RK	CHECKED BY AEK	APPROVED BY ENGINEERING JA	MFG/MKTG CT	
8/6/13	8/7/13	8/7/12	8/7/12	
MATERIAL N/A		 150 PRODUCTION DRIVE, HARRISON, OHIO 45030 Ph: 888-769-7979 FAX: (513) 367-3125		
PART NAME DRYER PACKAGE SKID 55" x 31.5"		DWG NO LDRE0607	SIZE D	

REV	ZONE	REVISION	DATE	ECN	NAME	CHKD
A-1	ALL	SUBMITTAL DRAWINGS	8/7/13	PREC0052	RK	AEK
B-1	ALL	RELEASE FOR PRODUCTION	8/7/13	PREC0052	RK	AEK
C-1	ALL	CHANGED TANK PSI FROM 200 TO 165	4/26/18	PREC0029	DMS	GES

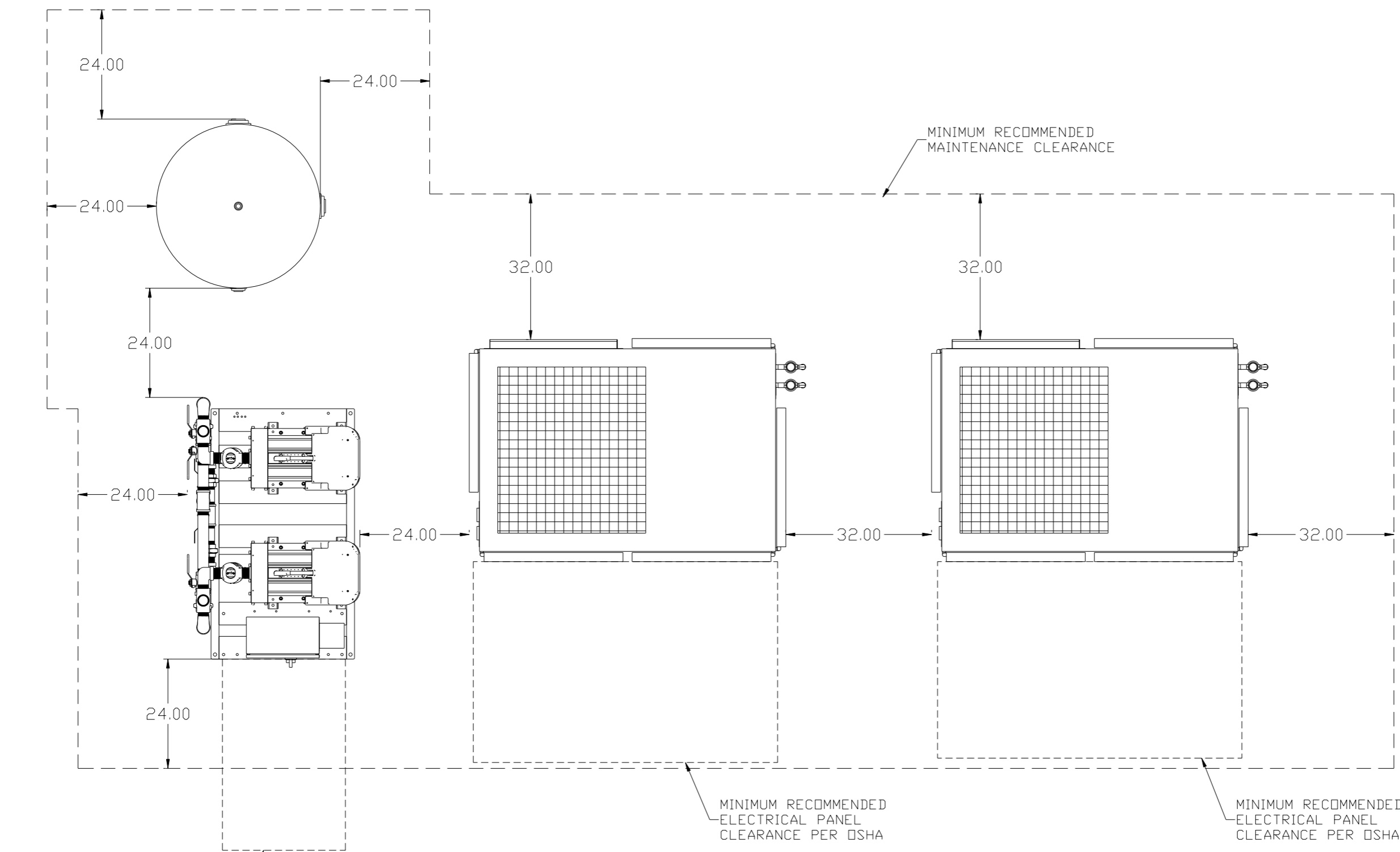


LEGEND	
	RELIEF VALVE
	AIR FILTER
	CARBON FILTER
	BALL VALVE
	REGULATOR
	SEPARATOR
	FLEX LINE
	UNION
	CHECK VALVE



SYMBOL LEGEND	⊖ = MINUS DRAFT ⊕ = PLUS DRAFT	⊕ = ADDITIONAL CONTROL REQ'D ⊖ = BRINELL HARDNESS	Drawings to conform to the current revision of the following ANSI standards: Y14.3 Multi and sectional view deqs. Y14.5M Dimensioning and tolerancing
TOLERANCES NOT SPECIFIED	.XX ± .XXX ± ∠(DEG.) ±	AUTOCAD REL2008 LT INCH	DO NOT SCALE DRAWING FOR DIMENSIONS
CONFIDENTIAL DISCLOSURE This drawing is the property of POWEREX, INC. of the SCOTT FEJZER COMPANY and subject to return on demand. Its contents are confidential and must not be copied or submitted to outside parties for use or examination.		Sheet 4 of 5	SCALE 1:12
DRAWN BY	CHKD BY	APPROVED BY	MFG/MRKTG
RK	AEK	JA	CT
8/6/13	8/7/13	8/7/12	8/7/12
MATERIAL N/A			
PART NAME DUPLX VFD ENCLOSED COMPRESSOR		150 PRODUCTION DRIVE, HARRISON, OHIO 45030 Ph: 888-769-7979 FAX: (513) 367-3125	
FLOW SCHEMATIC		DWG NO LDRE0607	SIZE D

REV	ZONE	REVISION	DATE	ECN	NAME	CHKD
A-1	ALL	SUBMITTAL DRAWINGS	8/7/13	PKEC0058	RK	AEK
B-1	ALL	RELEASE FOR PRODUCTION	8/7/13	PKEC0058	RK	AEK
C-1	ALL	CHANGED TANK PSI FROM 200 TO 165	4/26/18	PKEC0029	DMS	GES



SYMBOL LEGEND ⊖ = MINUS DRAFT ⊕ = PLUS DRAFT ⊕ = ADDITIONAL CONTROL REQ'D ⊕ = BRINELL HARDNESS		Drawings to conform to the current revision of the following ANSI standards: Y14.3 Multi and sectional view dgs. Y14.5M Dimensioning and tolerancing	
TOLERANCES NOT SPECIFIED .XX ± .XXX ± <<DEG.> ±		AUTOCAD REL2008 LT INCH DO NOT SCALE DRAWING FOR DIMENSIONS Sheet 5 of 5 SCALE 1:12	
CONFIDENTIAL DISCLOSURE This drawing is the property of POWEREX, INC. of the SCOTT FETZER COMPANY and subject to return on demand. Its contents are confidential and must not be copied or submitted to outside parties for use or examination.		DRAWN BY: RK CHECKED BY: AEK APPROVED BY: ENGINEERING MFG/MRKTG 8/6/13 8/7/13 8/7/12 8/7/12	
MATERIAL: N/A		 150 PRODUCTION DRIVE, HARRISON, OHIO 45030 Ph: 888-769-7979 FAX: (513) 367-3125	
PART NAME: 40-100HP VFD DPX ENCLOSURE COMPRESSOR		DWG NO: LDRE0607 SIZE: D	