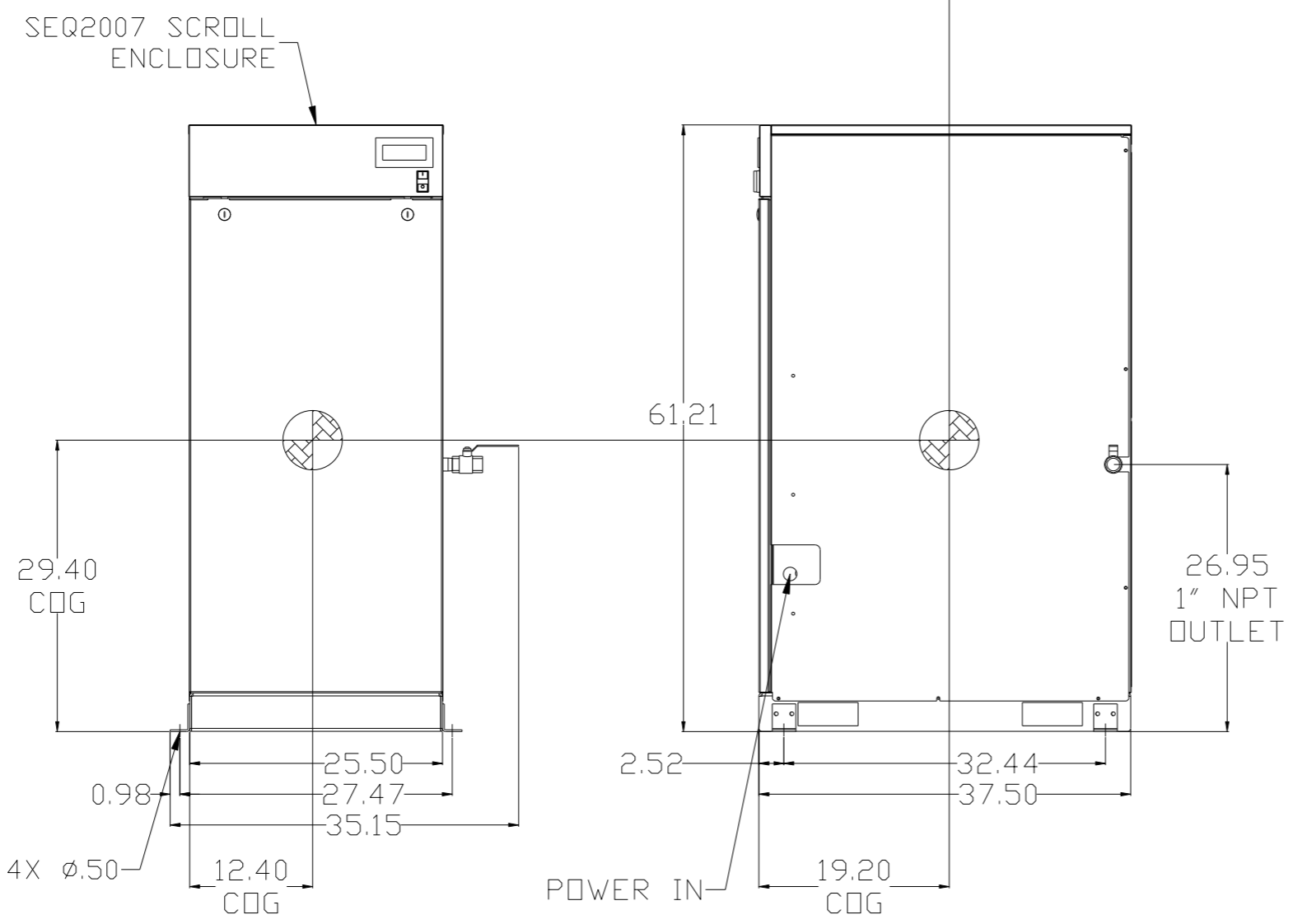
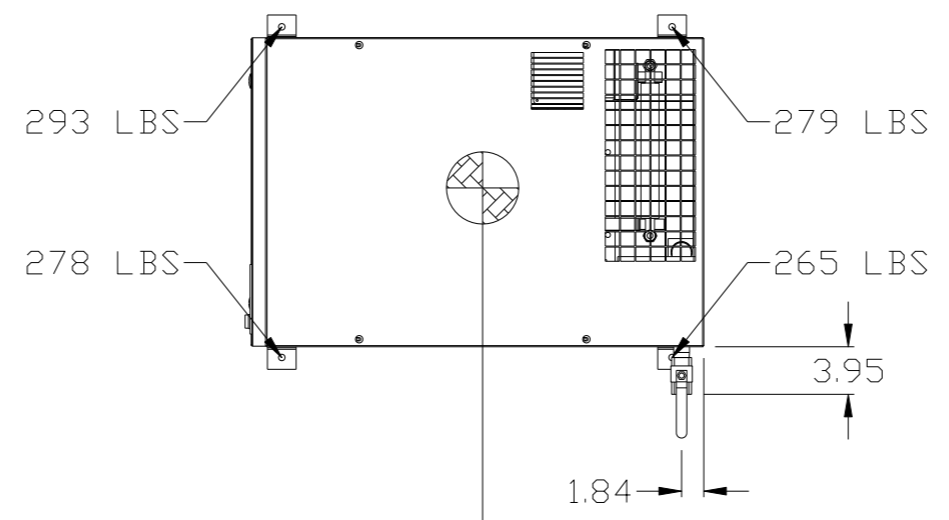


8 7 6 5 4 3 2 1


DENOTES CENTER OF GRAVITY 

SEQ2007 SCROLL ENCLOSURE:
 TOTAL WEIGHT: 1115 LBS
 C.O.G. DIMENSIONS
 X (FRONT): 12.40"
 Y (RIGHT): 19.20"
 Z (HEIGHT): 29.4"

REV	ZONE	REVISION	DATE	ECN	NAME	CHKD
A-1	ALL	SUBMITTAL DRAWINGS	4/23/13	PXEC0032	RK	AEK
B-1	ALL	RELEASE FOR PRODUCTION	04/23/13	PXEC0032	RK	AEK
C-1	2,2	ADDED CENTER OF GRAVITY INFORMATION	1/21/14	PXEC0067	AEK	GES
D-1	2,3	CONVERT TO POWEREX DRYER	2/20/14	PXEC0074	RK	AEK
E-1	4	ADDED OUTLET BALL VALVE TO ENCLOSURE	6/10/15	PXEC0093	AEK	GES



NOTE:
 1) SHEET 1 - SEQ02007 LAYOUT
 SHEET 2 - AIR TREATMENT LAYOUT
 SHEET 3 - PLAN VIEW
 SHEET 4 - FLOW SCHEMATIC

SYMBOL LEGEND ⊖ = MINUS DRAFT ⊕ = PLUS DRAFT TOLERANCES NOT SPECIFIED .XX ± .XXX ± \angle (DEG) ±		= ADDITIONAL CONTROL REQ'D = BRINELL HARDNESS		Drawings to conform to the current revision of the following ANSI standards: Y14.3 Multi: and sectional view dsgs. Y14.5M Dimensioning and tolerancing
AUTOCAD REL2008 LT INCH		DO NOT SCALE DRAWING FOR DIMENSIONS Sheet 1 of 4 SCALE 1:8		
CONFIDENTIAL DISCLOSURE This drawing is the property of POWEREX, INC. of the SCOTT FETZER COMPANY and subject to return on demand. Its contents are confidential and must not be copied or submitted to outside parties for use or examination.				
DRAWN BY: RK CHECKED BY: AEK 4/23/13		APPROVED BY: ENGINEERING MFG/MRKTG JA CT 4/23/13 4/23/13 4/23/13 4/23/13		
MATERIAL: N/A PART NAME: ENCLOSED SCROLL 200GAL DUAL DESICCANT LAB PACKAGE		 150 PRODUCTION DRIVE, HARRISON, OHIO 45030 Ph: 888-769-7979 FAX: (513) 367-3125		
DWG NO: LSE2005		SIZE: D		

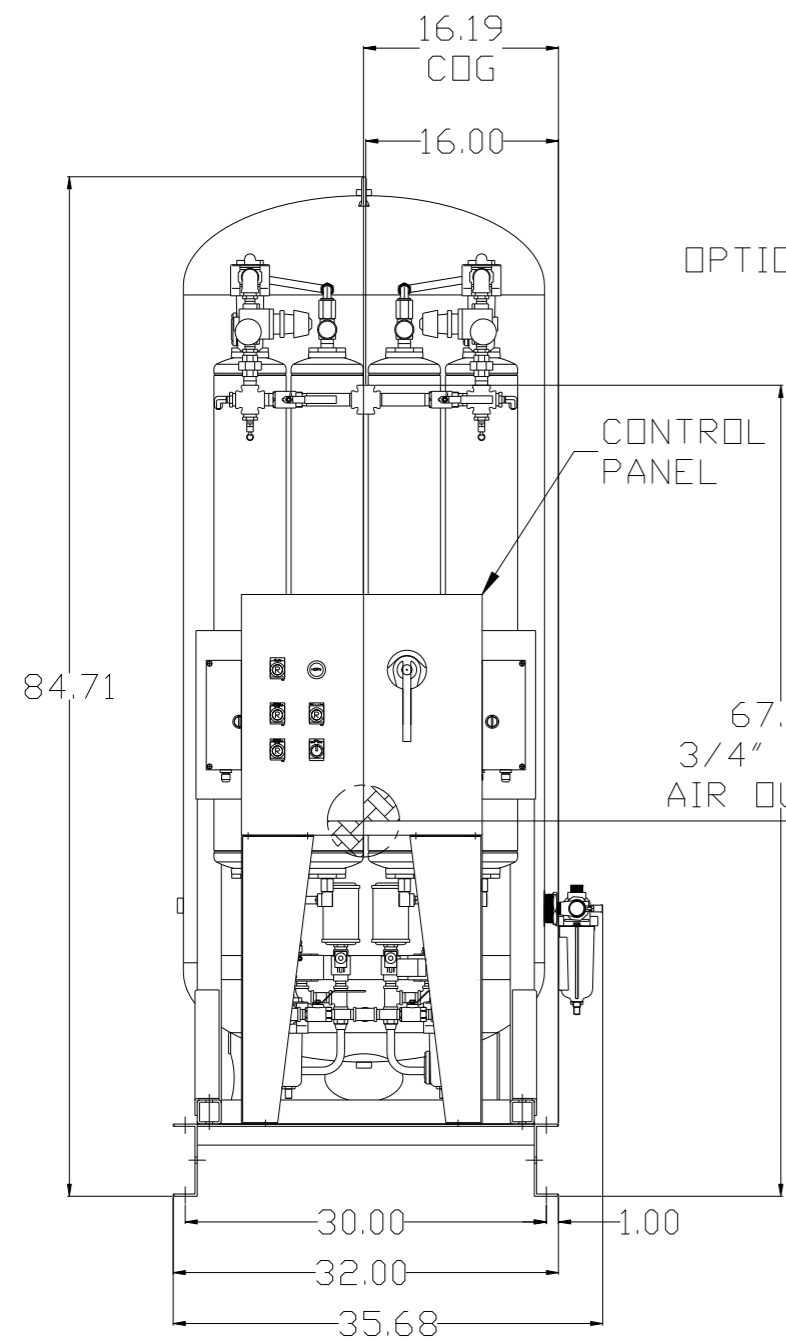
8 7 6 5 4 3 2 1

DENOTES CENTER OF GRAVITY



AIR TREATMENT SKID:
 TOTAL WEIGHT: 1290 LBS
 C.O.G. DIMENSIONS
 X (FRONT): -16.19"
 Y (RIGHT): 42.98"
 Z (HEIGHT): 31.18"

REV	ZONE	REVISION	DATE	ECN	NAME	CHKD
A-1	ALL	SUBMITTAL DRAWINGS	4/23/13	PXEC0032	RK	AEK
B-1	ALL	RELEASE FOR PRODUCTION	04/23/13	PXEC0032	RK	AEK
C-1	2,2	ADDED CENTER OF GRAVITY INFORMATION	1/21/14	PXEC0067	AEK	GES
D-1	2,3	CONVERT TO POWEX DRYER	2/20/14	PXEC0074	RK	AEK
E-1	4	ADDED OUTLET BALL VALVE TO ENCLOSURE	6/10/15	PXEC0093	AEK	GES



2X DESICCANT DRYERS
 W/ DEW POINT MONITOR,
 OPTIONAL CARBON MONOXIDE MONITOR,
 PRE FILTER, AFTER FILTER
 & OPTIONAL CHARCOAL FILTER.

CONTROL
 PANEL

67.39
 3/4" FNPT
 AIR OUTLET

297 LBS

290 LBS

46.98
 COG

CONTROL
 PANEL

31.18
 COG

1.50

76.01

79.01

79.30

355 LBS

347 LBS

2.18

5.27

200GAL ASME RECEIVER
 INTERNALLY LINED

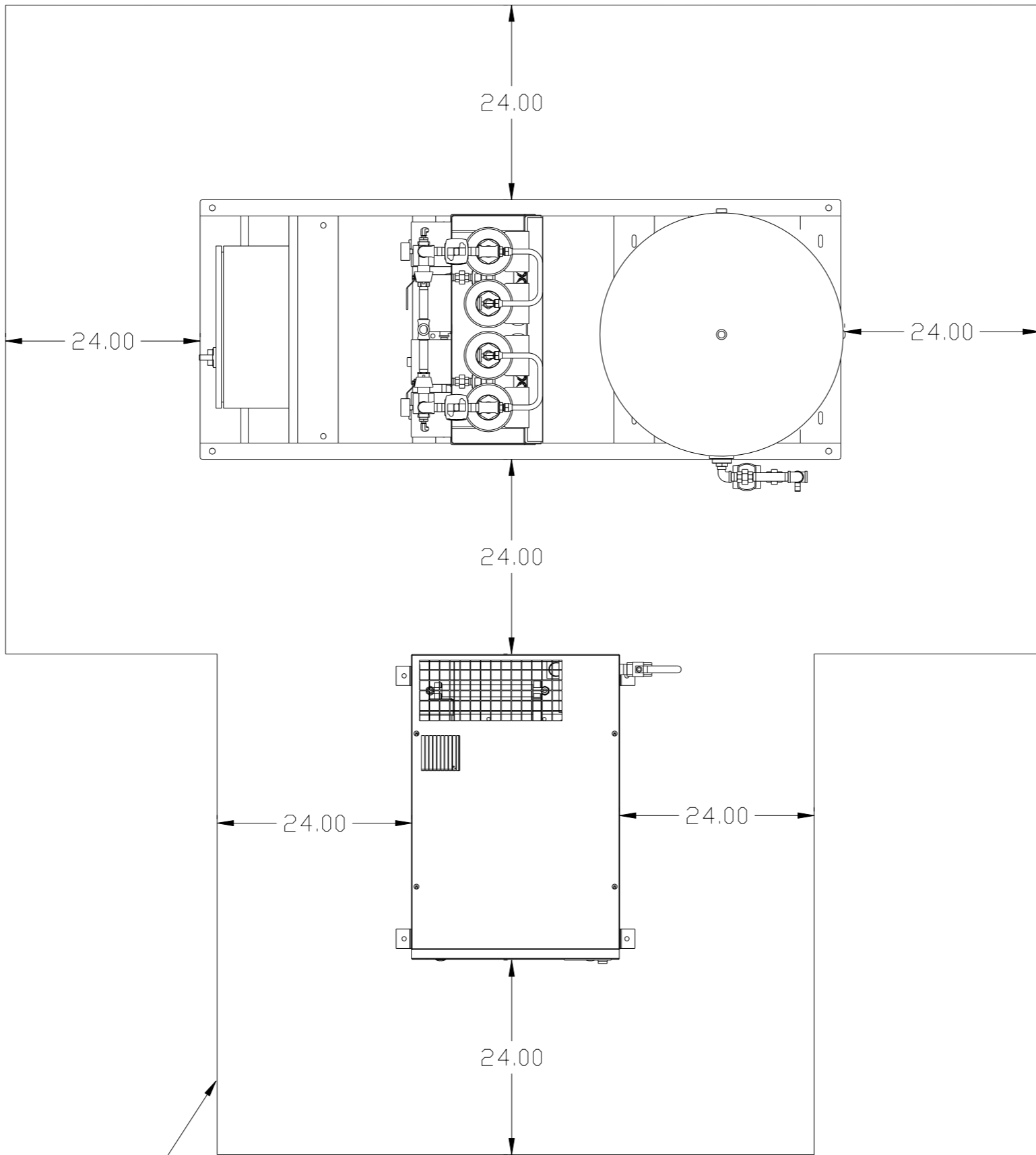
3/4" FNPT
 ATC INLET

NOTE:

- 1) SHEET 1 - SEQ2007 LAYOUT
- SHEET 2 - AIR TREATMENT LAYOUT
- SHEET 3 - PLAN VIEW
- SHEET 4 - FLOW SCHEMATIC

SYMBOL LEGEND		= ADDITIONAL CONTROL REQ'D		Drawings to conform to the current revision of the following ANSI standards:	
⊖	MINUS DRAFT	⊕	PLUS DRAFT	⊖	BRINELL HARDNESS
TOLERANCES NOT SPECIFIED		AUTOCAD REL2008 LT		DO NOT SCALE DRAWING FOR DIMENSIONS	
.XX ±		INCH		Sheet 2 of 4	SCALE 1:8
.XXX ±					
<<DEG> ±					
CONFIDENTIAL DISCLOSURE: This drawing is the property of POWEX, INC. of the SCOTT FETZER COMPANY and subject to return on demand. Its contents are confidential and must not be copied or submitted to outside parties for use or examination.					
MATERIAL		N/A		DRAWN BY: RK	
PART NAME		ENCLOSED SCROLL		CHECKED BY: AEK	
200GAL DUAL DESICCANT LAB PACKAGE		LSE2005		APPROVED BY: ENGINEERING	
				MFG/MKTG: JA CT	
				4/23/13 4/23/13 4/23/13 4/23/13	
				150 PRODUCTION DRIVE, HARRISON, OHIO 45030	
				Ph: 888-769-7979 FAX: (513) 367-3125	
				SIZE D	
				LSE2005.dwg	

REV	ZONE	REVISION	DATE	ECN	NAME	CHKD
A-1	ALL	SUBMITTAL DRAWINGS	4/23/13	PXEC0032	RK	AEK
B-1	ALL	RELEASE FOR PRODUCTION	04/23/13	PXEC0032	RK	AEK
C-1	2,2	ALL ADDED CENTER OF GRAVITY INFORMATION	1/21/14	PXEC0067	AEK	GES
D-1	2,3	ALL CONVERT TO POWEREX DRYER	2/20/14	PXEC0074	RK	AEK
E-1	4	C6 ADDED OUTLET BALL VALVE TO ENCLOSURE	6/10/15	PXEC0093	AEK	GES

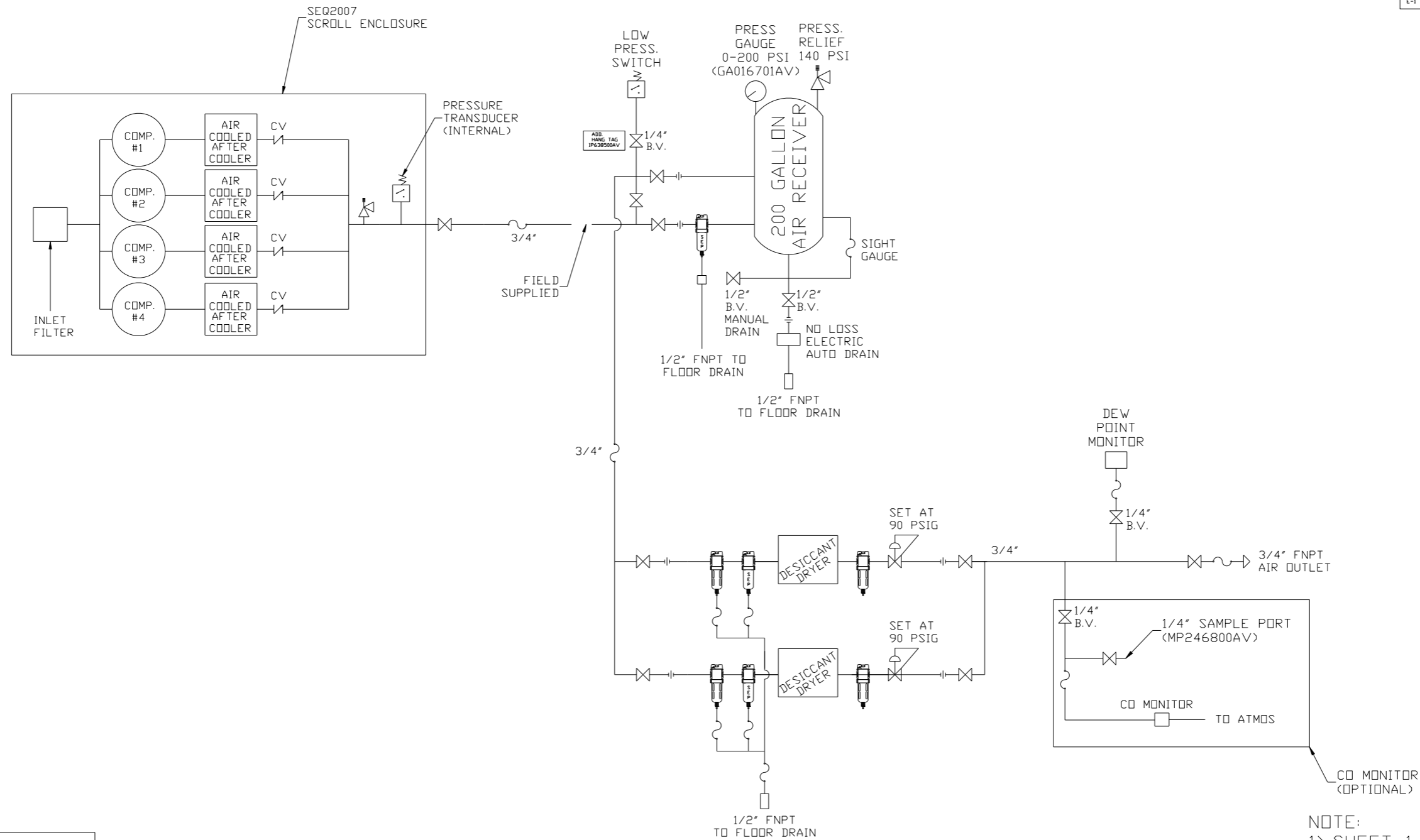


NOTE:
 1) SHEET 1 - SEQ02007 LAYOUT
 SHEET 2 - AIR TREATMENT LAYOUT
 SHEET 3 - PLAN VIEW
 SHEET 4 - FLOW SCHEMATIC

MINIMUM RECOMMENDED
 MAINTENANCE CLEARANCE

SYMBOL LEGEND		= ADDITIONAL CONTROL REQ'D		Drawings to conform to the current revision of the following ANSI standards:	
⊖	MINUS DRAFT	⊕	PLUS DRAFT	⊖	BRINELL HARDNESS
TOLERANCES NOT SPECIFIED		AUTOCAD REL2008 LT		DO NOT SCALE DRAWING FOR DIMENSIONS	
.XX ±		INCH		Sheet 3 of 4	SCALE 1:8
CONFIDENTIAL DISCLOSURE This drawing is the property of POWEREX, INC. of the SCOTT FETZER COMPANY and subject to return on demand. Its contents are confidential and must not be copied or submitted to outside parties for use or examination.					
DRAWN BY		CHECKED BY		APPROVED BY	
RK		AEK		JA CT	
4/23/13		4/23/13		4/23/13 4/23/13	
MATERIAL		N/A		 150 PRODUCTION DRIVE, HARRISON, OHIO 45030 Ph: 888-769-7979 FAX: (513) 367-3125	
PART NAME		ENCLOSED SCROLL		DWG NO	
200GAL DUAL DESICCANT LAB PACKAGE		LSE2005		SIZE D	

REV	ZONE	REVISION	DATE	ECN	NAME	CHKD
A-1	ALL	SUBMITTAL DRAWINGS	4/23/13	PXEC0032	RK	AEK
B-1	ALL	RELEASE FOR PRODUCTION	04/23/13	PXEC0032	RK	AEK
C-1	2,2	ADDED CENTER OF GRAVITY INFORMATION	1/21/14	PXEC0067	AEK	GES
D-1	2,3	CONVERT TO POWEREX DRYER	2/20/14	PXEC0074	RK	AEK
E-1	4	ADDED OUTLET BALL VALVE TO ENCLOSURE	6/10/15	PXEC0093	AEK	GES



LEGEND	
	RELIEF VALVE
	INTAKE FILTER
	AIR FILTER
	CARBON FILTER
	BALL VALVE
	3 WAY VALVE
	REGULATOR
	SEPARATOR
	FLEX LINE
	HIGH TEMP SWITCH
	UNION
	CHECK VALVE

NOTE:
 1) SHEET 1 - SEQ2007 LAYOUT
 SHEET 2 - AIR TREATMENT LAYOUT
 SHEET 3 - PLAN VIEW
 SHEET 4 - FLOW SCHEMATIC

SYMBOL LEGEND		= ADDITIONAL CONTROL REQ'D		Drawings to conform to the current revision of the following ANSI standards:	
= MINUS DRAFT		= BRINELL HARDNESS		Y14.3 Multi and sectional view dgs. Y14.5M Dimensioning and tolerancing	
= PLUS DRAFT					
TOLERANCES NOT SPECIFIED		AUTOCAD REL2008 LT		DO NOT SCALE DRAWING FOR DIMENSIONS	
.XX ±		INCH		Sheet 4 of 4	
.XXX ±				SCALE 1:8	
<DEG> ±					
CONFIDENTIAL DISCLOSURE This drawing is the property of POWEREX, INC. of the SCOTT FETZER COMPANY and subject to return on demand. Its contents are confidential and must not be copied or submitted to outside parties for use or examination.					
DRAWN BY		CHECKED BY		APPROVED BY	
RK		AEK		JA CT	
4/23/13		4/23/13		4/23/13 4/23/13	
MATERIAL N/A					
PART NAME ENCLOSED SCROLL FLOW SCHEMATIC				SIZE LSE2005	