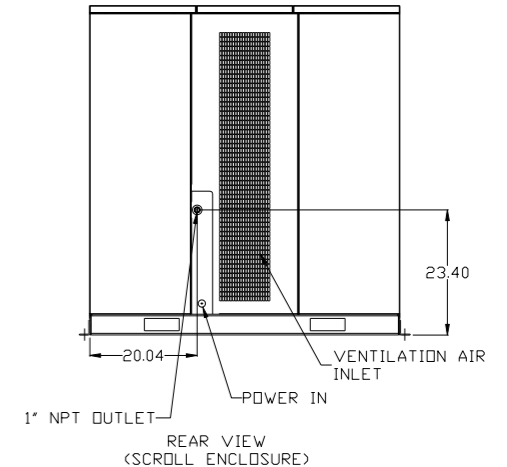
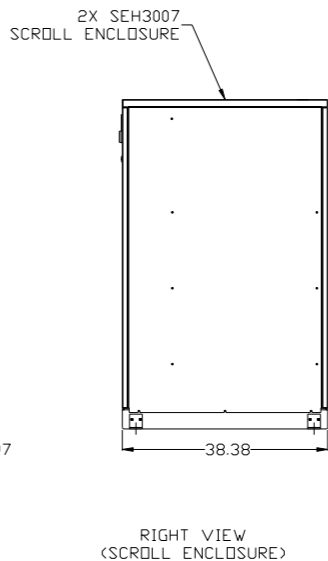
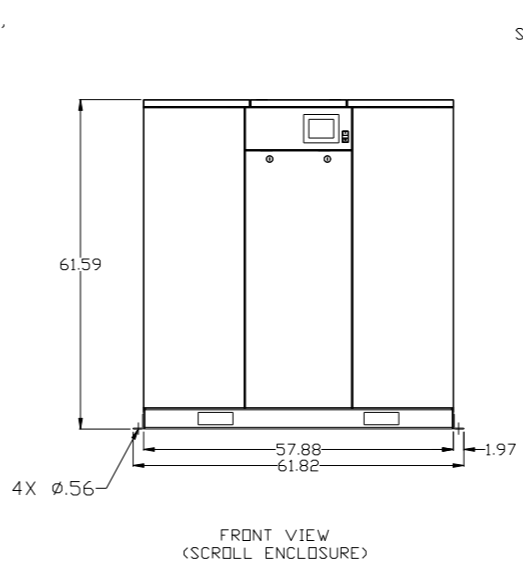
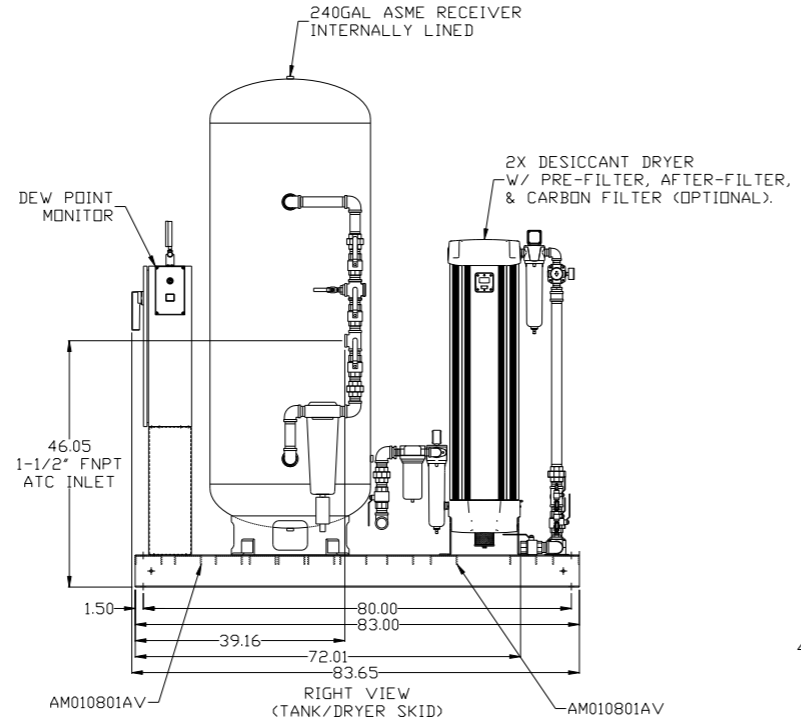
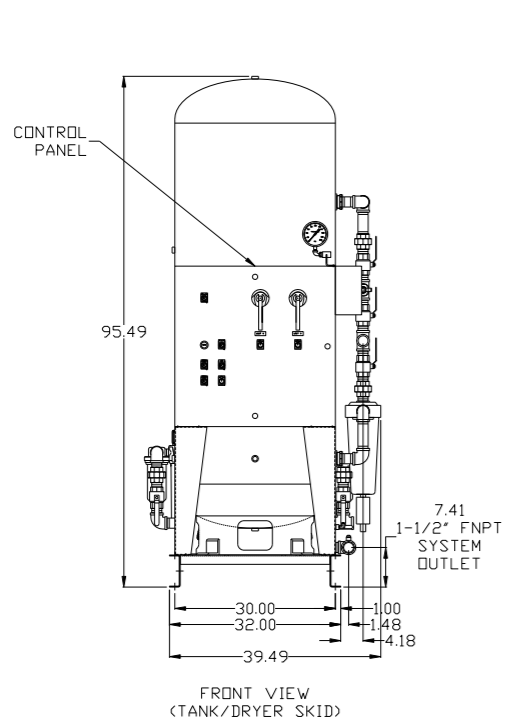
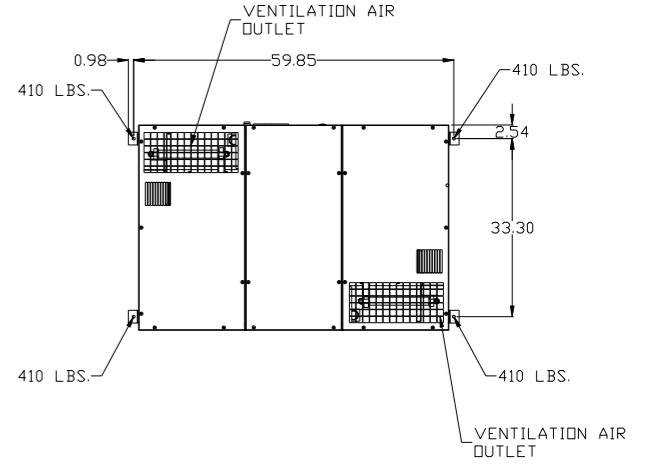
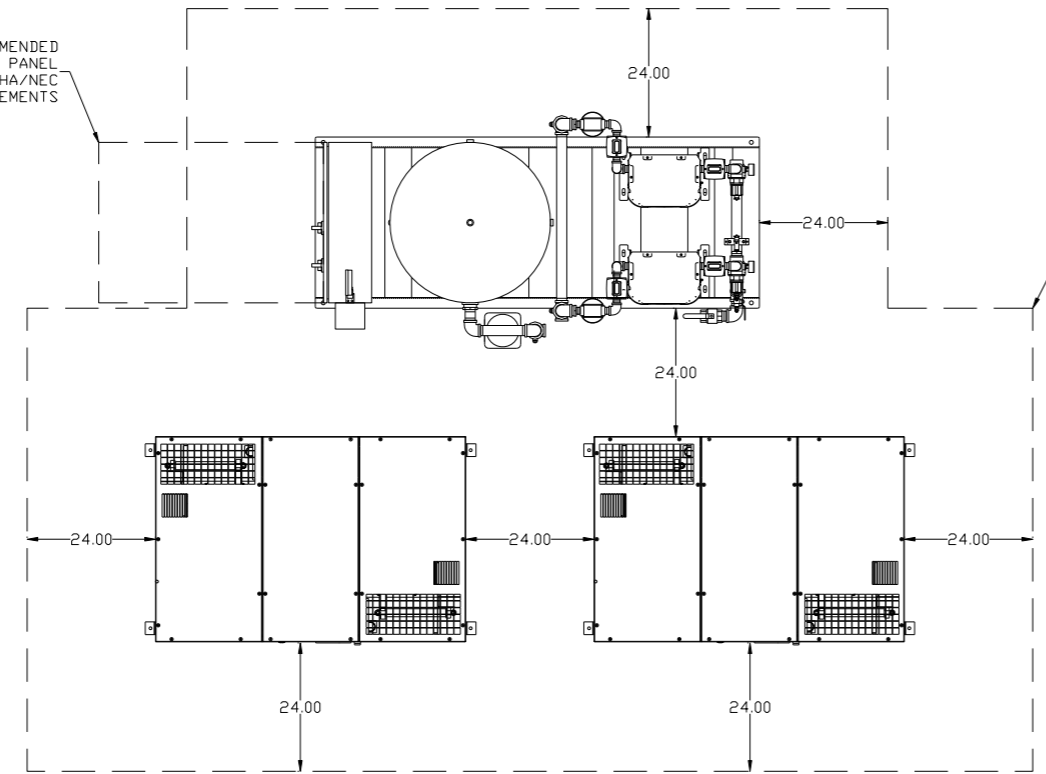


REV	ZONE	REVISION	DATE	ECN	NAME	CHKD
B-1	ALL	RELEASE TO PRODUCTION	4/23/13	PXEC0032	RK	AEK
C-1	1 ALL	UPDATED TO HAND DRYERS	9/8/17	PXEC0174	AEK	GES
D-1	1 ALL	UPDATED SKID/FILTER, ADDED BRACKETS	2/8/18	PXEC0229	MAH	GES

MINIMUM RECOMMENDED ELECTRICAL PANEL CLEARANCE PER OSHA/NEC REQUIREMENTS

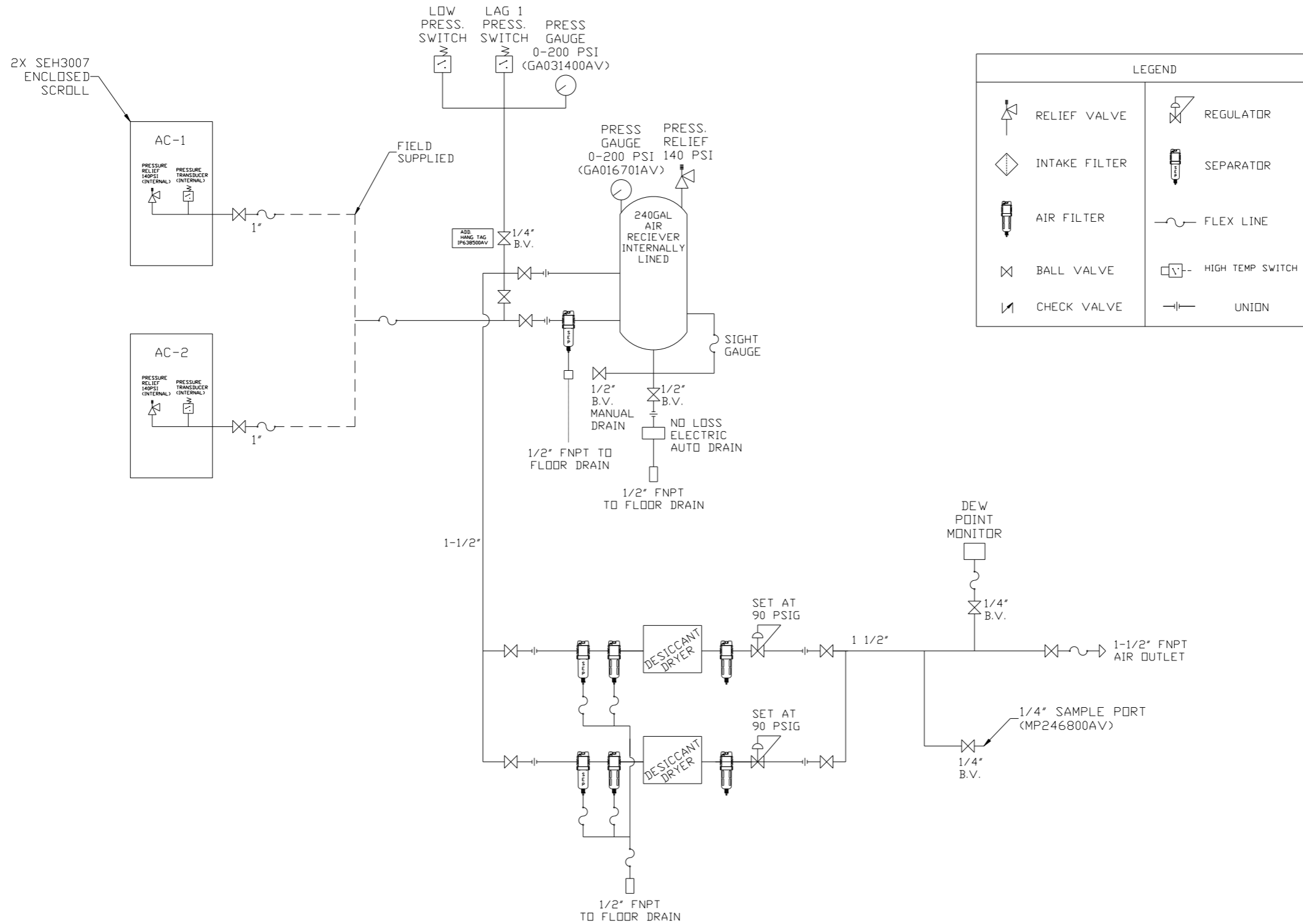
MINIMUM RECOMMENDED MAINTENANCE CLEARANCE



- NOTES:
- 1.) SHEET 1, UNIT LAYOUT.
 - 2.) SHEET 2, UNIT FLOW SCHEMATIC.
 - 3.) OUTLET CONNECTION: 2" FNPT X 1-1/2".
 - 4.) POWER CONNECTION: 1- 208, 230, OR 460 VOLT.
 - 5.) WHEN PACKAGE IS INSTALLED INTO THE FACILITY, MAKE SURE THAT THE INSTALLER REFERENCES TABLE 110.26 (A) (1) FOR MINIMUM WORKING AREA.

SYMBOL LEGEND		= ADDITIONAL CONTROL REQ'D		Drawings to conform to the current revision of the following ANSI standards:	
⊖	MINUS DRAFT	⊕	PLUS DRAFT	⊖	ANSI Y14.3 Multi and sectional view dgs.
⊕	PLUS DRAFT	⊖	MINUS DRAFT	⊖	ANSI Y14.5M Dimensioning and tolerancing
⊖	MINUS DRAFT	⊕	PLUS DRAFT	⊖	ANSI Y14.3 Multi and sectional view dgs.
⊕	PLUS DRAFT	⊖	MINUS DRAFT	⊖	ANSI Y14.5M Dimensioning and tolerancing
TOLERANCES NOT SPECIFIED		AUTOCAD REL2008 LT		DO NOT SCALE DRAWING FOR DIMENSIONS	
.XX ±		INCH		Sheet 1 of 2	
.XXX ±				SCALE 1:18	
<<DEG>> ±					
CONFIDENTIAL DISCLOSURE		DRAWN BY		CHECKED BY	
This drawing is the property of the POWEREX, INC. of the SCOTT FETZER COMPANY and subject to return on demand. Its contents are confidential and must not be copied or submitted to outside parties for use or examination.		RK		AEK	
		4/23/13		4/23/13	
		4/23/13		4/23/13	
MATERIAL		N/A		APPROVED BY	
PART NAME		60HP ENCLOSE SCROLL		ENGINEERING MFG/MKTG	
240GAL DUAL DESICCANT LAB PACKAGE		DWG NO		LSED3006	
		SIZE		D	

REV	ZONE	REVISION	DATE	ECN	NAME	CHKD
B-1	ALL	RELEASE TO PRODUCTION	4/23/13	PXEC0032	RK	AEK
C-1	1 ALL	UPDATED TO NANO DRYERS	9/8/17	PXEC0174	AEK	GES
D-1	1 ALL	UPDATED SKID/FILTER, ADDED BRACKETS	2/8/18	PXEC0229	MAH	GES

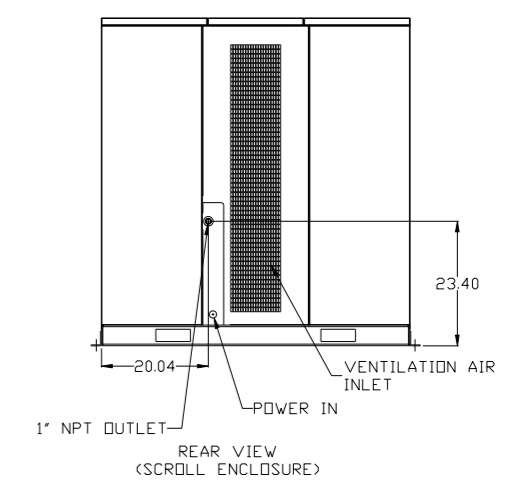
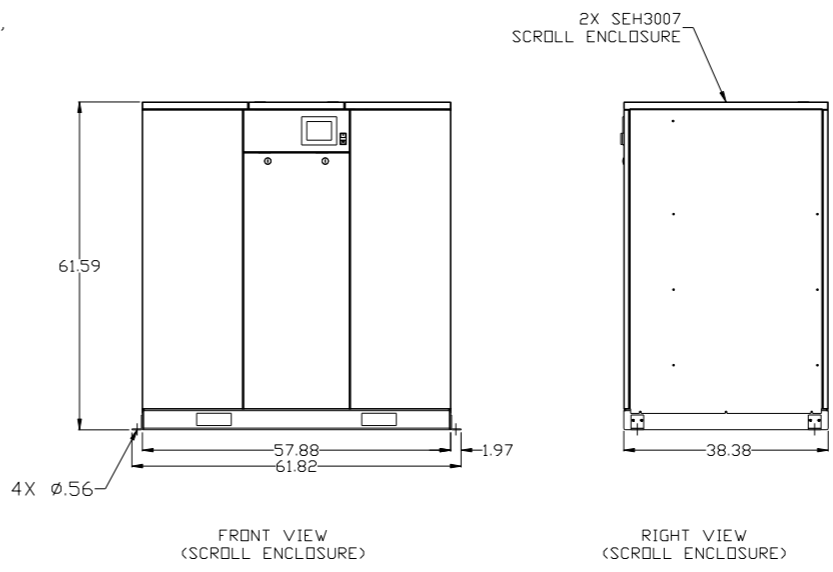
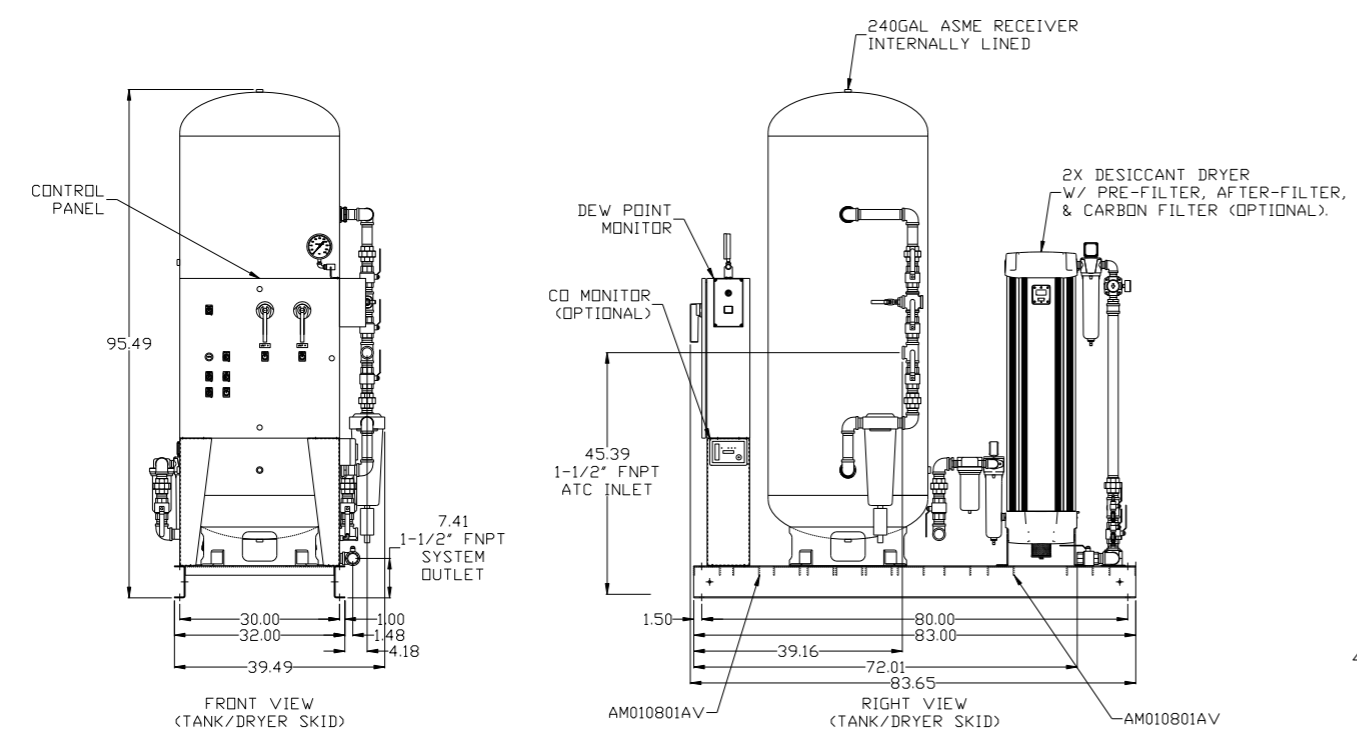
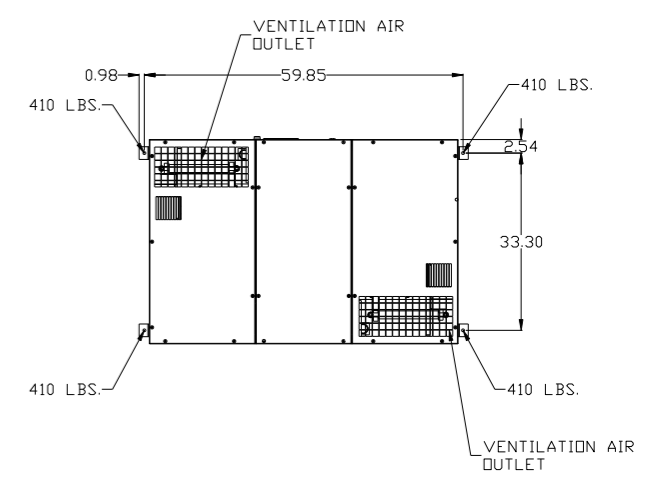
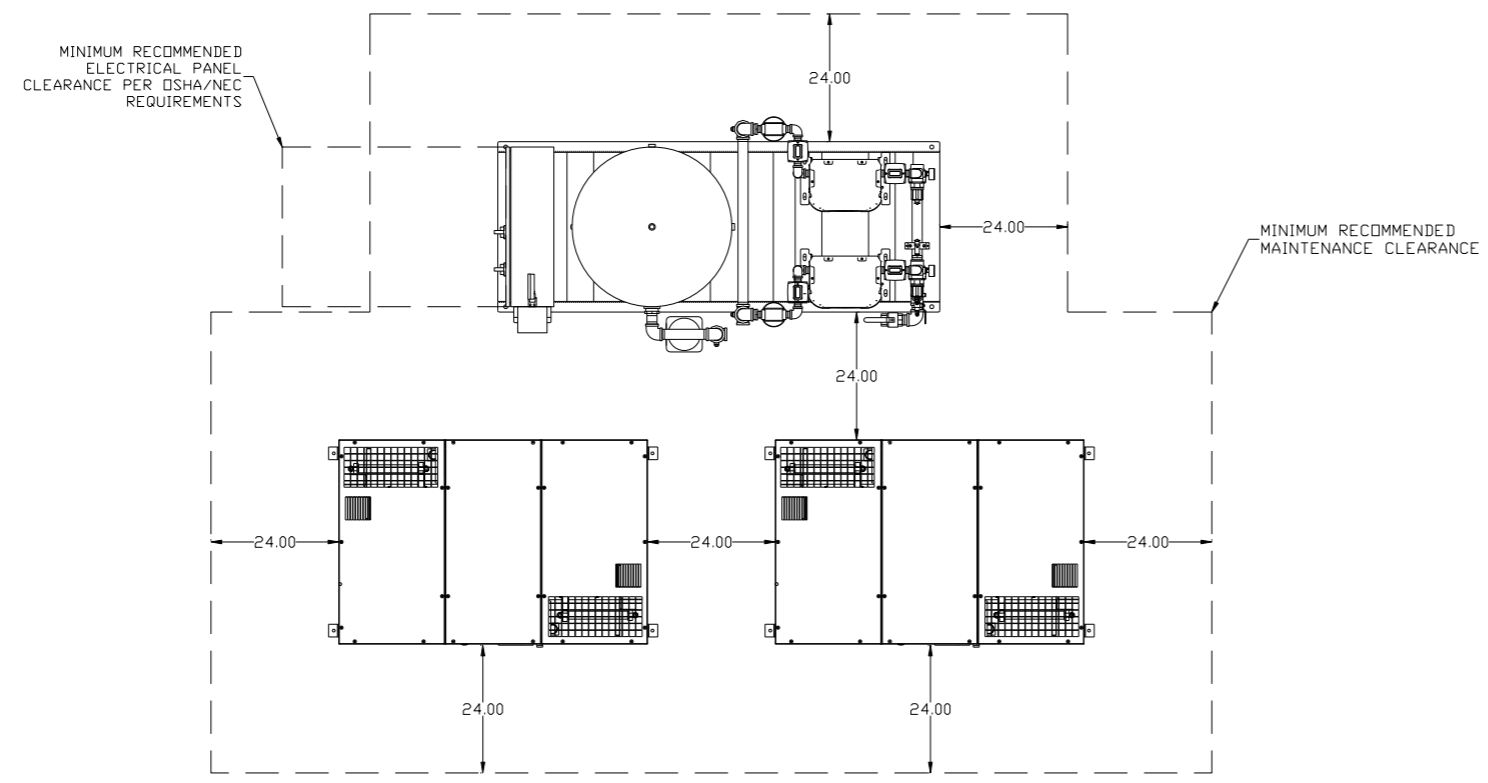


LEGEND	
	RELIEF VALVE
	INTAKE FILTER
	AIR FILTER
	BALL VALVE
	CHECK VALVE
	REGULATOR
	SEPARATOR
	FLEX LINE
	HIGH TEMP SWITCH
	UNION

- NOTES:
- 1.) SHEET 1, UNIT LAYOUT.
 - 2.) SHEET 2, UNIT FLOW SCHEMATIC.
 - 3.) OUTLET CONNECTION: 2" FNPT X 1-1/2".
 - 4.) POWER CONNECTION: 1- 208, 230, OR 460 VOLT.

SYMBOL LEGEND		AUTOCAD REL2008 LT		DO NOT SCALE DRAWING FOR DIMENSIONS	
	= MINUS DRAFT		= ADDITIONAL CONTROL REQ'D	Drawings to conform to the current revision of the following ANSI standards: Y14.3 Multi and sectional view dgs, Y14.5M Dimensioning and tolerancing	
	= PLUS DRAFT		= BRINELL HARDNESS	SCALE: 1:18	
TOLERANCES NOT SPECIFIED		INCH		Sheet 2 of 2	
CONFIDENTIAL DISCLOSURE: This drawing is the property of the POWEREX, INC. of the SCOTT FETZER COMPANY and subject to return on demand. Its contents are confidential and must not be copied or submitted to outside parties for use or examination.		DRAWN BY	CHECKED BY	APPROVED BY	MFG/MRKTG
		RK	AEK	JA	CT
		4/23/13	4/23/13	4/23/13	4/23/13
MATERIAL: N/A				150 PRODUCTION DRIVE, HARRISON, OHIO 45030 Ph: 888-769-7979 FAX: (513) 367-3125	
PART NAME: 60HP ENCLOSE SCROLL FLOW SCHEMATIC		DWG NO: LSED3006		SIZE: D	

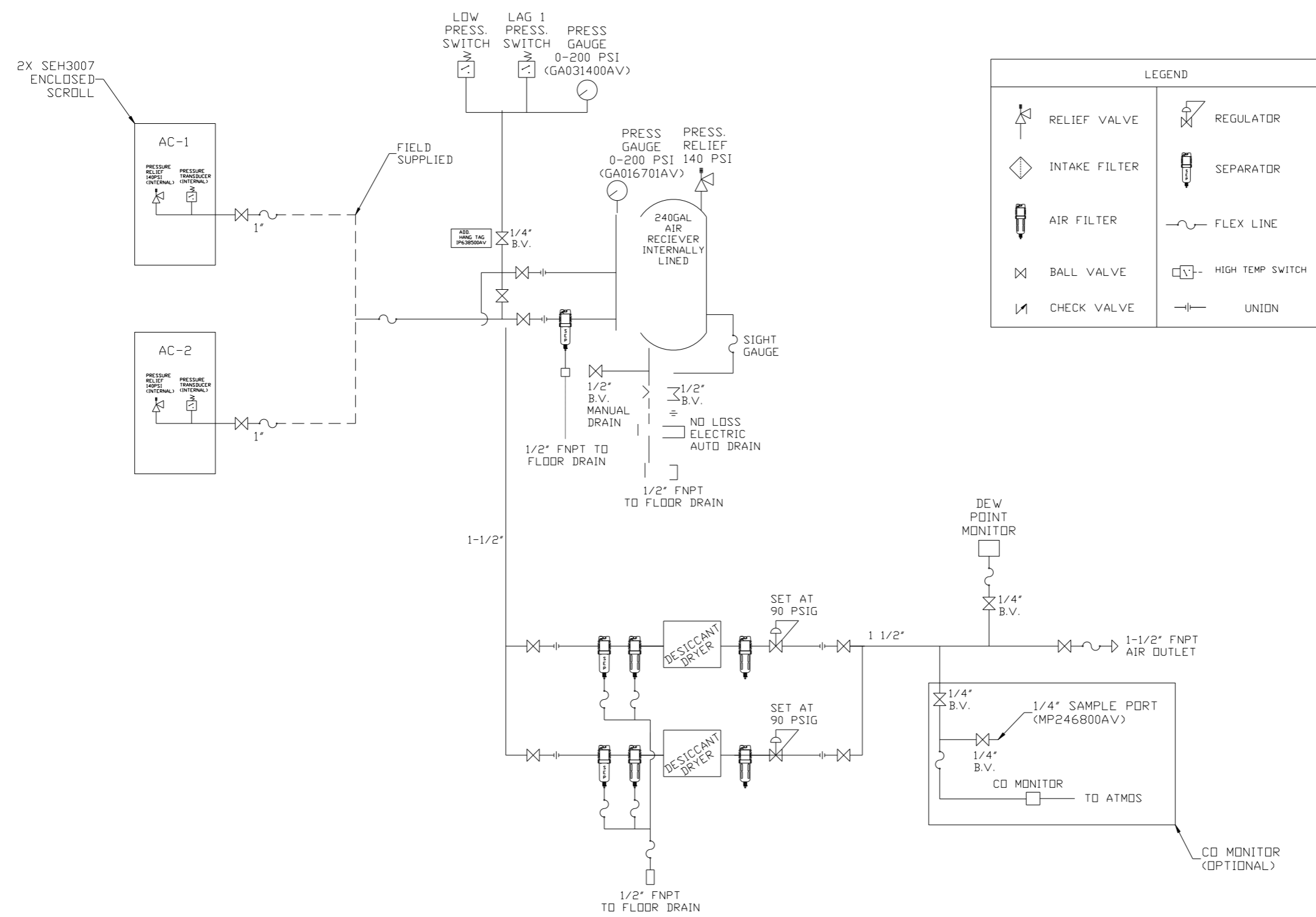
REV	ZONE	REVISION	DATE	ECN	NAME	CHKD
B-1	ALL	RELEASE TO PRODUCTION	4/23/13	PXEC0032	RK	AEK
C-1	1 ALL	UPDATED TO NANO DRYERS	9/8/17	PXEC0174	AEK	GES
D-1	1 ALL	UPDATED SKID/FILTER, ADDED BRACKETS	2/8/18	PXEC0225	MAH	GES



NOTES:
 1.) SHEET 1, UNIT LAYOUT.
 2.) SHEET 2, UNIT FLOW SCHEMATIC.
 3.) OUTLET CONNECTION: 2" FNPT X 1-1/2".
 4.) POWER CONNECTION: 1- 208, 230, OR 460 VOLT.
 5.) WHEN PACKAGE IS INSTALLED INTO THE FACILITY, MAKE SURE THAT THE INSTALLER REFERENCES TABLE 110.26 (A) (1) FOR MINIMUM WORKING AREA.

SYMBOL LEGEND		= ADDITIONAL CONTROL REQ'D		Drawings to conform to the current revision of the following ANSI standards: Y14.3 Multi and sectional view dgs. Y14.5M Dimensioning and tolerancing
⊖	MINUS DRAFT	⊕	PLUS DRAFT	
⊖	MINUS DRAFT	⊕	PLUS DRAFT	
⊖	MINUS DRAFT	⊕	PLUS DRAFT	
TOLERANCES NOT SPECIFIED		AUTOCAD REL2008 LT		DO NOT SCALE DRAWING FOR DIMENSIONS
.XX ±		INCH		Sheet 1 of 2
.XXX ±				SCALE 1:18
∠(DEG) ±				
CONFIDENTIAL DISCLOSURE		This drawing is the property of the POWEREX, INC. of the SCOTT FETZER COMPANY and subject to return on demand. Its contents are confidential and must not be copied or submitted to outside parties for use or examination.		
BRAWN BY	CHECKED BY	APPROVED BY	MFG/MKTG	
RK	AEK	JA	CT	
4/23/13	4/23/13	4/23/13	4/23/13	
MATERIAL N/A		PART NAME		
60HP ENCLOSE SCROLL		240GAL DUAL DESICCANT LAB PACKAGE		
DVG NO		LSED3006		SIZE D

REV	ZONE	REVISION	DATE	ECN	NAME	CHKD
B-1	ALL	RELEASE TO PRODUCTION	4/23/13	PXEC0032	RK	AEK
C-1	1	UPDATED TO MANG DRYERS	9/8/17	PXEC0174	AEK	GES
D-1	1	UPDATED SKID/FILTER, ADDED BRACKETS	2/8/18	PXEC0229	MAH	GES



LEGEND	
	RELIEF VALVE
	INTAKE FILTER
	AIR FILTER
	BALL VALVE
	CHECK VALVE
	REGULATOR
	SEPARATOR
	FLEX LINE
	HIGH TEMP SWITCH
	UNION

- NOTES:
- 1.) SHEET 1, UNIT LAYOUT.
 - 2.) SHEET 2, UNIT FLOW SCHEMATIC.
 - 3.) OUTLET CONNECTION: 2" FNPT X 1-1/2".
 - 4.) POWER CONNECTION: 1- 208, 230, OR 460 VOLT.

SYMBOL LEGEND		AUTOCAD REL2008 LT		DO NOT SCALE DRAWING FOR DIMENSIONS	
	MINUS DRAFT	INCH	SCALE	Sheet 2 of 2	1:18
	PLUS DRAFT				
	ADDITIONAL CONTROL REQ'D				
	BRINELL HARDNESS				
TOLERANCES NOT SPECIFIED		DRAWINGS TO CONFORM TO THE CURRENT REVISION OF THE FOLLOWING ANSI STANDARDS: Y14.3 Multi and sectional view dgs Y14.3M Dimensioning and tolerancing			
CONFIDENTIAL DISCLOSURE This drawing is the property of the POWEREX, INC. of the SCOTT FEITZER COMPANY and subject to return on demand. Its contents are confidential and must not be copied or submitted to outside parties for use or examination.		DRAWN BY	CHECKED BY	APPROVED BY	MFG/MRKTG
		RK	AEK	JA	CT
		4/23/13	4/23/13	4/23/13	4/23/13
MATERIAL		N/A			
PART NAME		60HP ENCLOSE SCROLL			
DWG NO		LSED3006			
SIZE		D			

