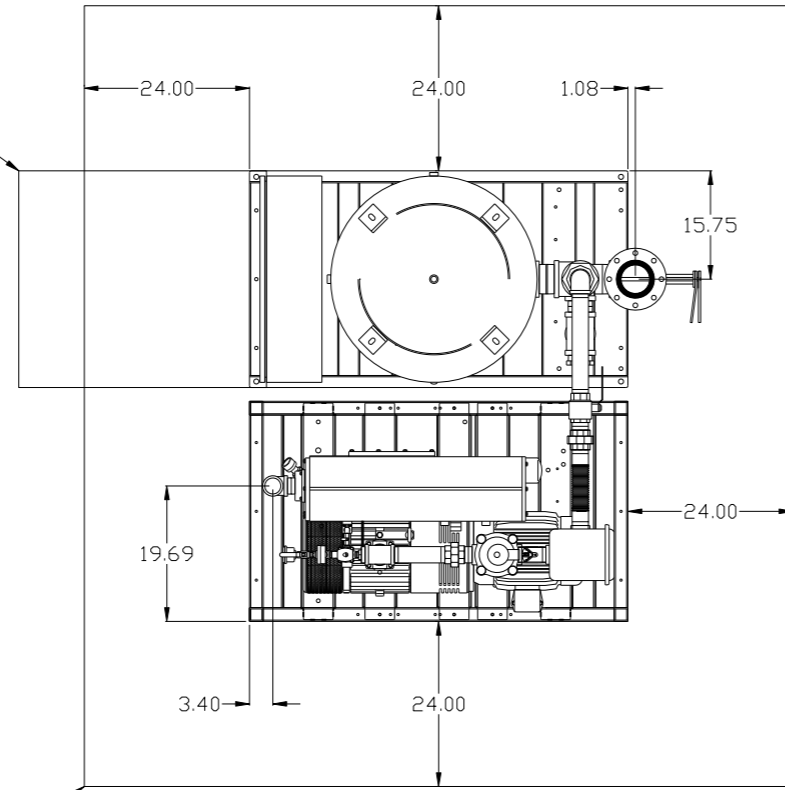
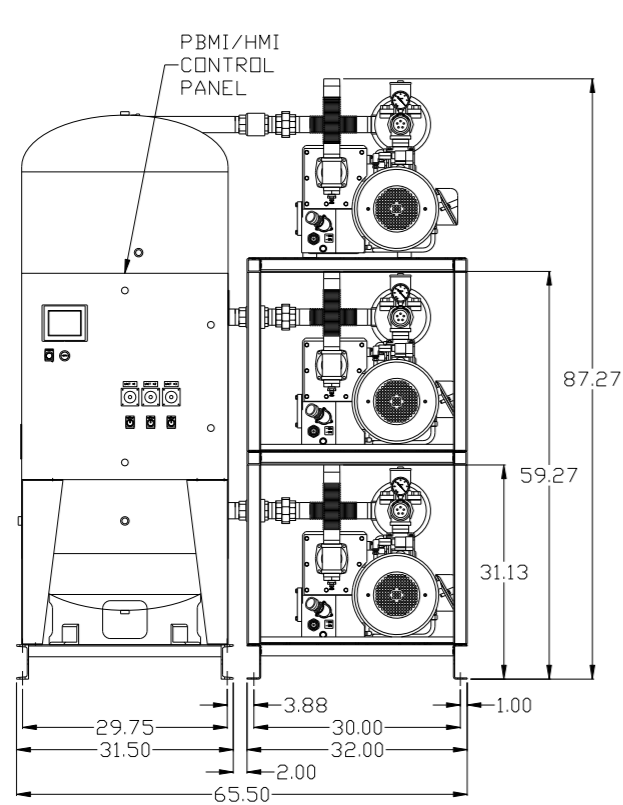


REV	ZONE	REVISION	DATE	ECN	NAME	CHKD
B-1	ALL	RELEASE TO PRODUCTION	1/2/13	PKEC003	BFH	DMS
C-1	1 ALL	ADDED 2" CLEARANCE TO PBM SHEETS	4/10/15	PKEC009	AEK	GES

MINIMUM RECOMMENDED ELECTRICAL PANEL CLEARANCE PER OSHA/ NEC

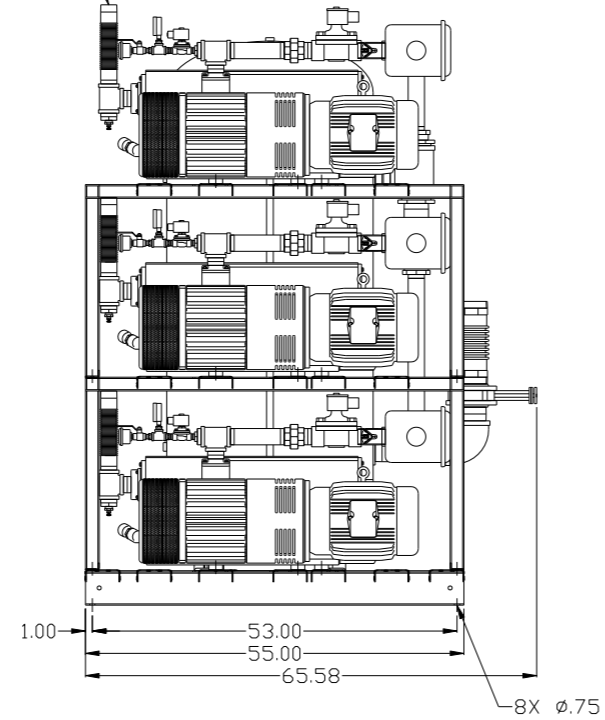


MINIMUM RECOMMENDED MAINTENANCE CLEARANCE



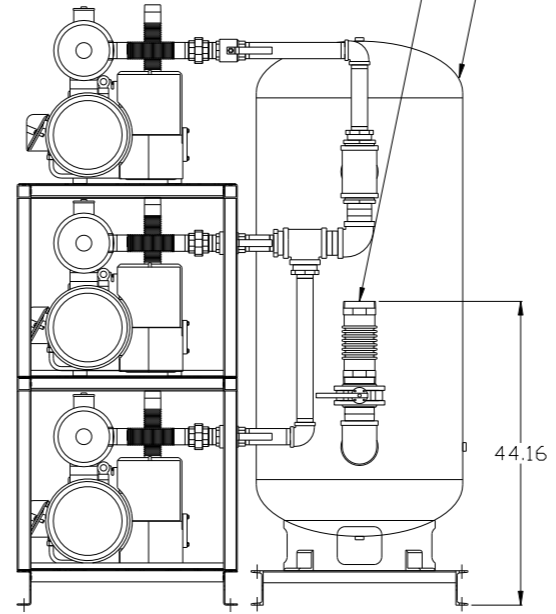
PBMI/HMI CONTROL PANEL

3X 2" MNPT OUTLET



4" MNPT AIR INLET

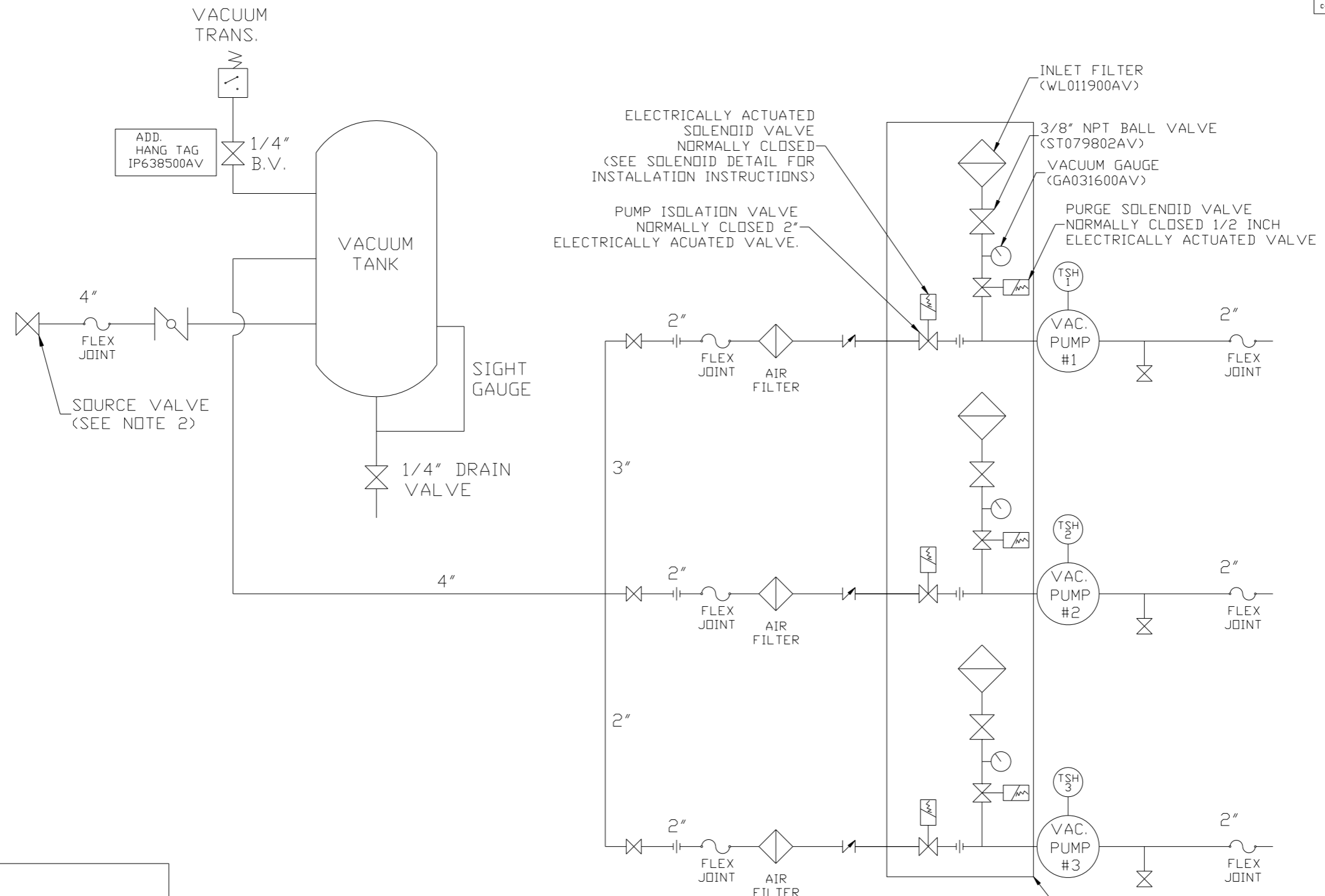
200GAL ASME RECEIVER



NOTE: AUTO PURGE IS OPTIONAL.

SYMBOL LEGEND ⊖ = MINUS DRAFT ⊕ = PLUS DRAFT TOLERANCES NOT SPECIFIED .XX ± .XXX ± Z (DEG) ±		= ADDITIONAL CONTROL REQ'D = BRINELL HARDNESS		Drawings to conform to the current revision of the following ANSI standards: Y14.3 Multi and sectional view dgs. Y14.5M Dimensioning and tolerancing
AUTOCAD REL2008 LT INCH		DO NOT SCALE DRAWING FOR DIMENSIONS Sheet 1 of 2 SCALE 1:14		
CONFIDENTIAL DISCLOSURE This drawing is the property of POWEREX, INC. of the SCOTT FEITZER COMPANY and subject to return on demand. Its contents are confidential and must not be copied or submitted to outside parties for use or examination.		DRAWN BY BFH	CHECKED BY DMS	APPROVED BY JBC CT
MATERIAL N/A		12/04/12	1/2/13	1/2/13 1/2/13
PART NAME 10HP LAB VACUUM 200G TRIPLEX		POWEREX 150 PRODUCTION DRIVE, HARRISON, OHIO 45030 Ph 888-769-7979 FAX (513) 367-3125		SIZE LVPT1005 D

REV	ZONE	REVISION	DATE	ECN	NAME	CHKD
B-1	ALL	RELEASE TO PRODUCTION	1/2/13	PKE0003	BFH	DMS
C-1	1 ALL	ADDED 2" CLEARANCE TO PBM SHEETS	4/10/15	PKE0093	AEK	GES



ELECTRICALLY ACTUATED SOLENOID VALVE NORMALLY CLOSED (SEE SOLENOID DETAIL FOR INSTALLATION INSTRUCTIONS)

PUMP ISOLATION VALVE NORMALLY CLOSED 2" ELECTRICALLY ACTUATED VALVE.

NOTE:
A 1/4 INCH VENT PLUG IS LOCATED IN THE FILTER HOUSING.

AUTO PURGE IS OPTIONAL

LEGEND

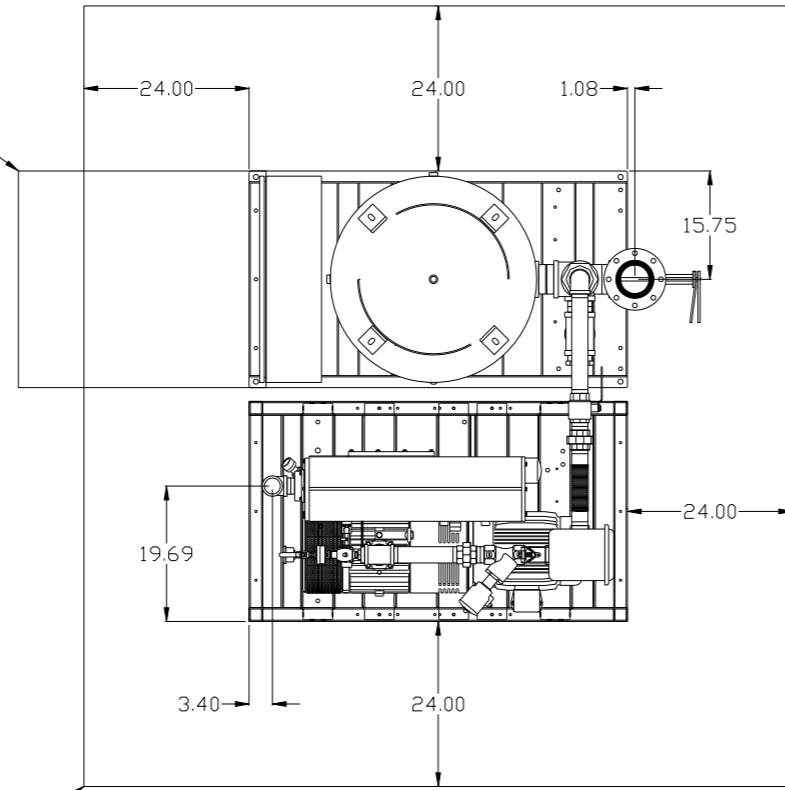
	TEMP. SWITCH		VACUUM SWITCH
	BUTTERFLY VALVE		CHECK VALVE
	AIR FILTER		FLEX LINE
	BALL VALVE		UNION

NOTE:
1) TSH - TEMPERATURE SWITCH HIGH
2) PER NFPA THE SYSTEM WILL REQUIRE A SOURCE VALVE (SUPPLIED BY OTHERS).

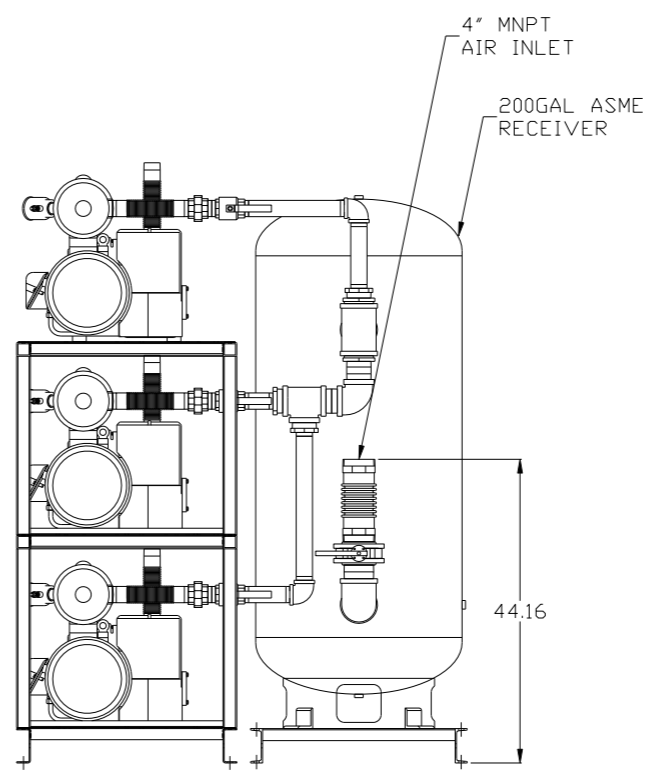
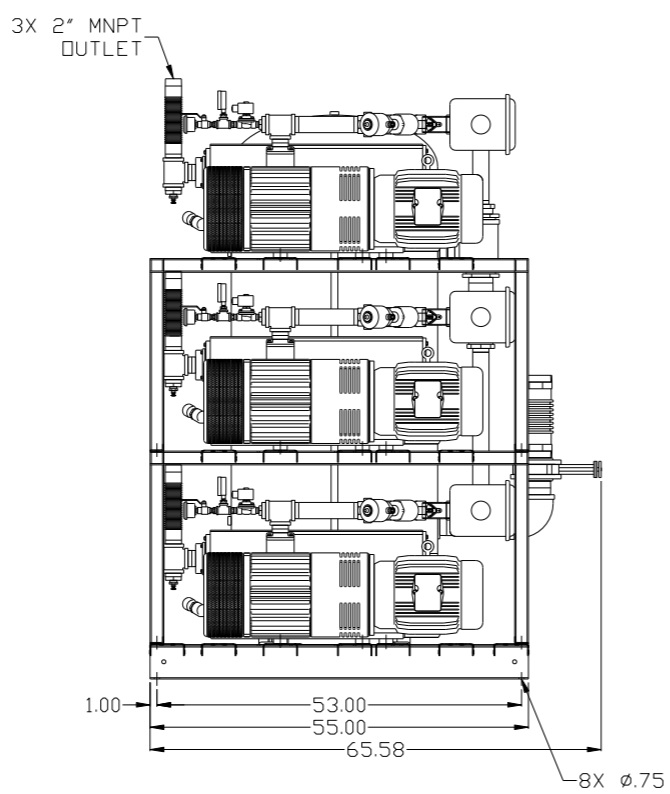
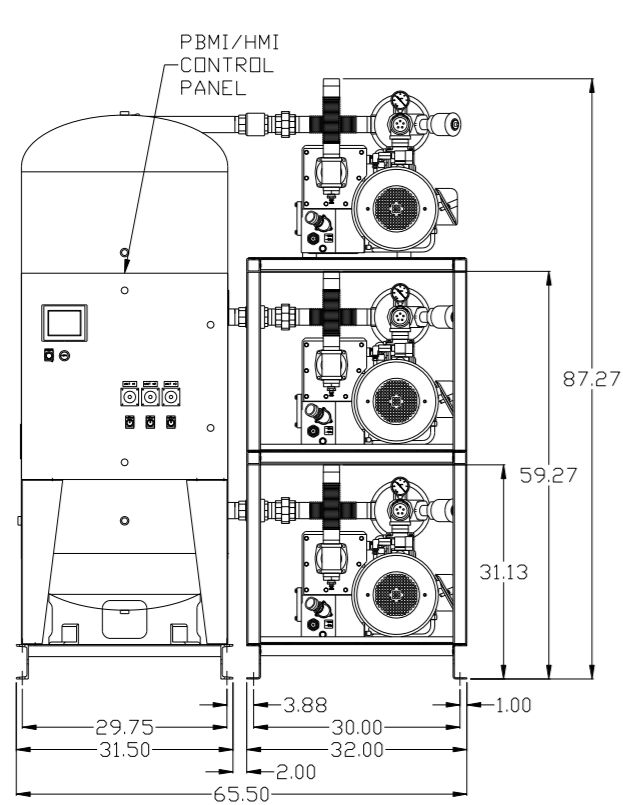
SYMBOL LEGEND			= ADDITIONAL CONTROL REQ'D		Drawings to conform to the current revision of the following ANSI standards: Y14.3 Multi and sectional view dgs Y14.5M Dimensioning and tolerancing
	= MINUS DRAFT		= BRINELL HARDNESS		
TOLERANCES NOT SPECIFIED		AUTOCAD REL2008 LT		DO NOT SCALE DRAWING FOR DIMENSIONS	
.XX ±		INCH		SCALE 1: 14	
CONFIDENTIAL DISCLOSURE This drawing is the property of POWEREX, INC. of the SCOTT FITZGER COMPANY and subject to return on demand. Its contents are confidential and must not be copied or submitted to outside parties for use or examination.					
DRAWN BY	CHECKED BY	APPROVED BY	MFG/MRKTG		
BFH	DMS	JBC	CT		
12/05/12	1/2/13	1/2/13	1/2/13		
MATERIAL		N/A			
PART NAME		TRIPLEX LAB VAC FLOW SCHEMATIC			
DWG NO		LVPT1005		SIZE D	

REV	ZONE	REVISION	DATE	ECN	NAME	CHKD
B-1	ALL	RELEASE TO PRODUCTION	1/2/13	PXEC003	BFH	DMS
C-1	ALL	ADDED 2" CLEARANCE TO PBMI SHEETS	4/10/15	PXEC009	AEK	GES

MINIMUM RECOMMENDED ELECTRICAL PANEL CLEARANCE PER OSHA/ NEC



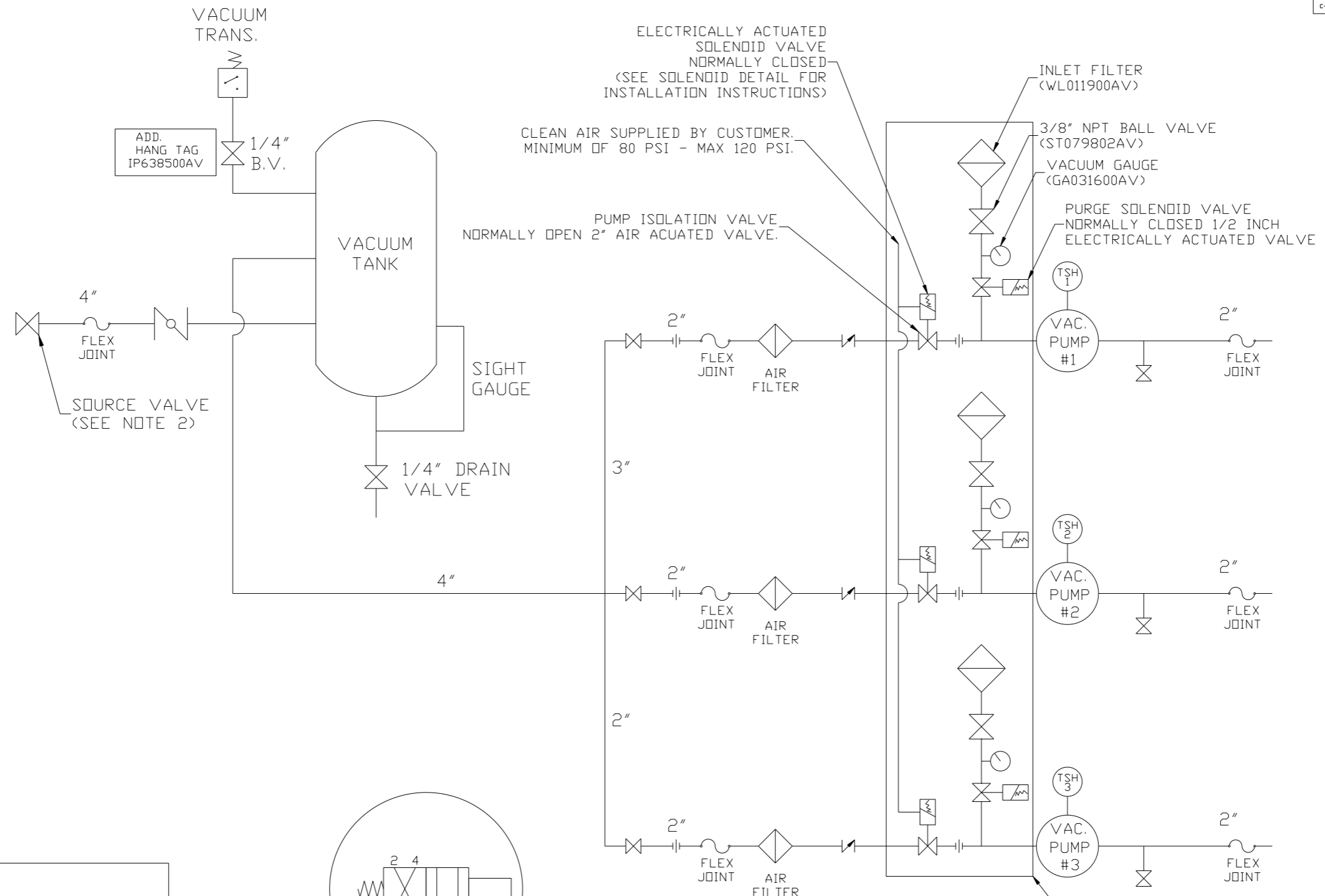
MINIMUM RECOMMENDED MAINTENANCE CLEARANCE



NOTE: AUTO PURGE IS OPTIONAL.

SYMBOL LEGEND ⊖ = MINUS DRAFT ⊕ = PLUS DRAFT ∅ = ADDITIONAL CONTROL REQ'D HRC = BRINELL HARDNESS		Drawings to conform to the current revision of the following ANSI standards: Y14.3 Multi and sectional view dgs. Y14.5M Dimensioning and tolerancing	
TOLERANCES NOT SPECIFIED .XX ± .XXX ± \angle (DEG) ±		DO NOT SCALE DRAWING FOR DIMENSIONS Sheet 1 of 2 SCALE 1:14	
CONFIDENTIAL DISCLOSURE This drawing is the property of POWEREX, INC. of the SCOTT FEITZER COMPANY and subject to return on demand. Its contents are confidential and must not be copied or submitted to outside parties for use or examination.			
MATERIAL N/A		PART NAME 10HP LAB VACUUM 200G TRIPLEX	
DRAWN BY BFH		CHECKED BY DMS	
APPROVED BY JBC		MFG/MKTG CT	
DATE 12/04/12		DATE 1/2/13	
DATE 1/2/13		DATE 1/2/13	
DWG NO LVPT1005		SIZE D	

REV	ZONE	REVISION	DATE	ECN	NAME	CHKD
B-1	ALL	RELEASE TO PRODUCTION	1/2/13	PXEC003	BFH	DMS
C-1	1 ALL	ADDED 2" CLEARANCE TO PBM SHEETS	4/10/15	PXEC003	AEK	GES



ELECTRICALLY ACTUATED SOLENOID VALVE NORMALLY CLOSED (SEE SOLENOID DETAIL FOR INSTALLATION INSTRUCTIONS)

CLEAN AIR SUPPLIED BY CUSTOMER. MINIMUM OF 80 PSI - MAX 120 PSI.

PUMP ISOLATION VALVE NORMALLY OPEN 2" AIR ACUATED VALVE.

INLET FILTER (WL011900AV)

3/8" NPT BALL VALVE (ST079802AV)

VACUUM GAUGE (GA031600AV)

PURGE SOLENOID VALVE NORMALLY CLOSED 1/2 INCH ELECTRICALLY ACTUATED VALVE

ADD. HANG TAG IP638500AV

VACUUM TRANS.

1/4" B.V.

VACUUM TANK

SIGHT GAUGE

1/4" DRAIN VALVE

SOURCE VALVE (SEE NOTE 2)

2"

FLEX JOINT AIR FILTER

TSH 1

VAC. PUMP #1

2"

FLEX JOINT

3"

2"

FLEX JOINT AIR FILTER

TSH 2

VAC. PUMP #2

2"

FLEX JOINT

2"

2"

FLEX JOINT AIR FILTER

TSH 3

VAC. PUMP #3

2"

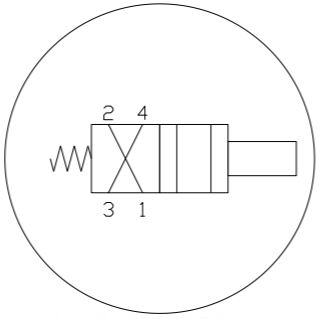
FLEX JOINT

AUTO PURGE IS OPTIONAL

NOTE: A 1/4 INCH VENT PLUG IS LOCATED IN THE FILTER HOUSING.

LEGEND

	TEMP. SWITCH		VACUUM SWITCH
	BUTTERFLY VALVE		CHECK VALVE
	AIR FILTER		FLEX LINE
	BALL VALVE		UNION



SOLENOID DETAIL:
 1) VALVE - INPUT #1
 2) MUFFLER - INPUT #2
 3) SUPPLY AIR - INPUT #4

NOTE:
 1) TSH - TEMPERATURE SWITCH HIGH
 2) PER NFPA THE SYSTEM WILL REQUIRE A SOURCE VALVE (SUPPLIED BY OTHERS).

SYMBOL LEGEND		AUTOCAD REL2008 LT		DO NOT SCALE DRAWING FOR DIMENSIONS	
	MINUS DRAFT		ADDITIONAL CONTROL REQ'D	Drawings to conform to the current revision of the following ANSI standards: Y14.3 Multi and sectional view dgs. Y14.5M Dimensioning and tolerancing	
	PLUS DRAFT		BRINELL HARDNESS	SCALE 1:14	
TOLERANCES NOT SPECIFIED		INCH		Sheet 2 of 2	
CONFIDENTIAL DISCLOSURE This drawing is the property of POWEREX, INC. of the SCOTT FETZER COMPANY and subject to return on demand. Its contents are confidential and must not be copied or submitted to outside parties for use or examination.		DRAWN BY	CHECKED BY	APPROVED BY	MFG/MKTG
		BFH	DMS	JBC	CT
MATERIAL		12/05/12	1/2/13	1/2/13	1/2/13
PART NAME				SIZE	
TRIPLEX LAB VAC FLOW SCHEMATIC		150 PRODUCTION DRIVE, HARRISON, OHIO 45030 Ph: 888-769-7979 FAX: (513) 367-3125		D	
DWG NO		LVPT1005		LVP1005B.dwg	

8

7

6

5

4

3

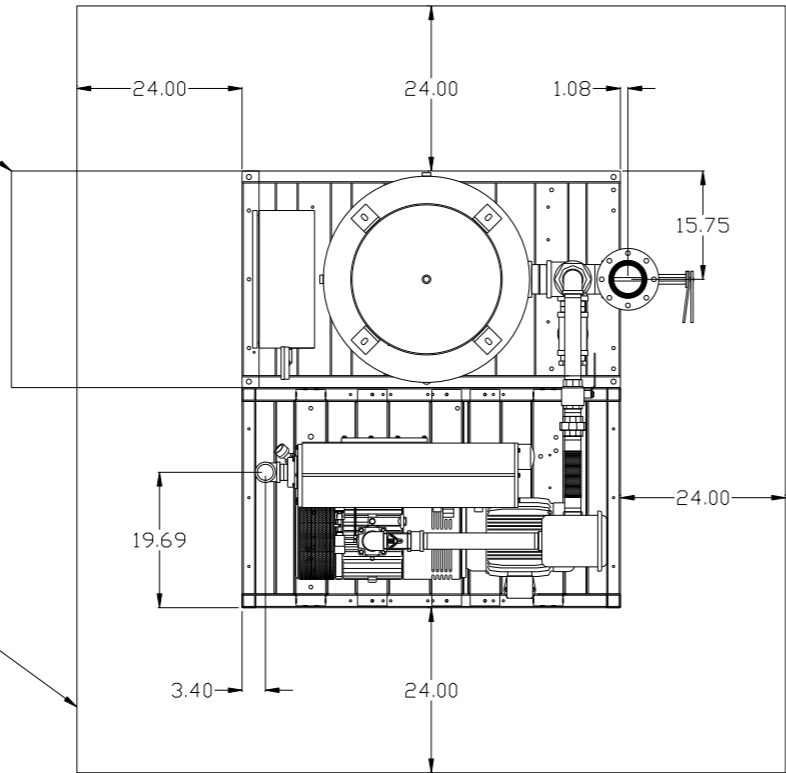
2

1

REV	ZONE	REVISION	DATE	ECN	NAME	CHKD
B-1	ALL	RELEASE TO PRODUCTION	1/2/13	PXEC003	BFH	DMS
C-1	ALL	ADDED 2" CLEARANCE TO PBM SHEETS	4/10/15	PXEC009	AEK	GES

MINIMUM RECOMMENDED
ELECTRICAL PANEL
CLEARANCE PER OSHA/ NEC

MINIMUM RECOMMENDED
MAINTENANCE CLEARANCE

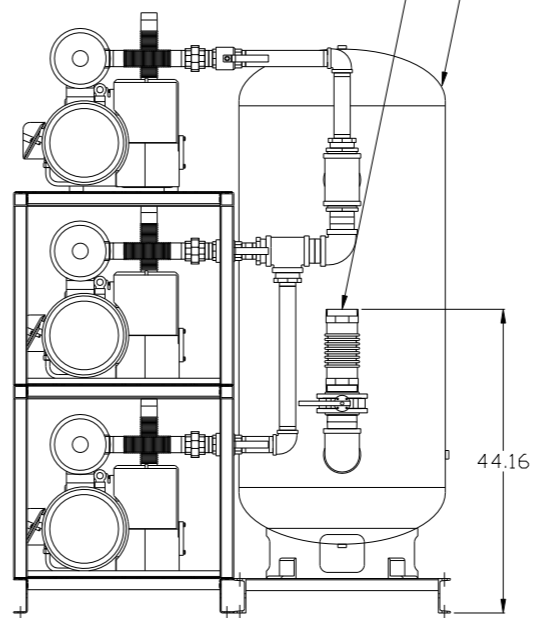
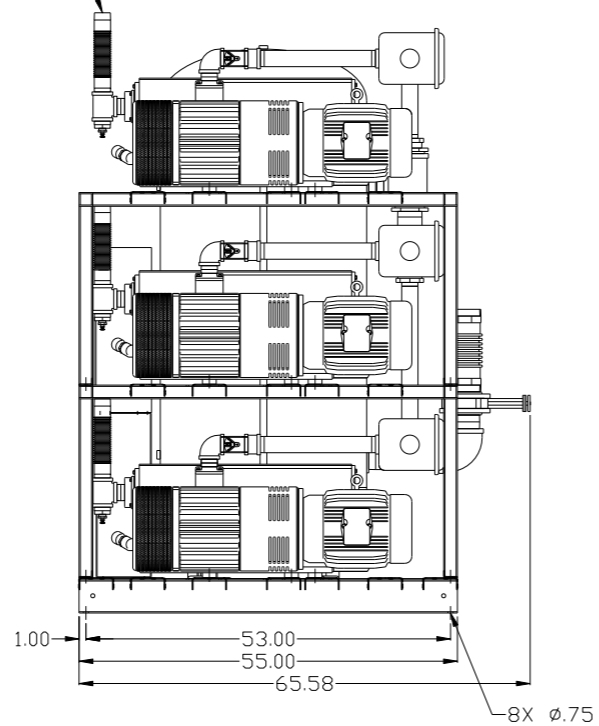
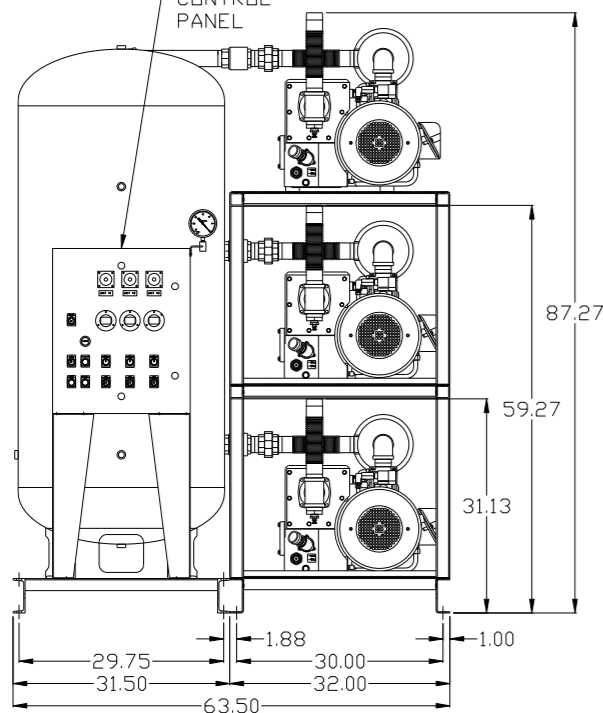


BASIC
CONTROL
PANEL

3X 2" MNPT
OUTLET

4" MNPT
AIR INLET

200GAL ASME
RECEIVER



SYMBOL LEGEND ⊖ = MINUS DRAFT ⊕ = PLUS DRAFT Ⓢ = ADDITIONAL CONTROL REQ'D Ⓜ = BRINELL HARDNESS		Drawings to conform to the current revision of the following ANSI standards: Y14.3 Multi and sectional view dgs. Y14.5M Dimensioning and tolerancing	
TOLERANCES NOT SPECIFIED .XX ± .XXX ± \angle (DEG) ±		DO NOT SCALE DRAWING FOR DIMENSIONS AUTOCAD REL2008 LT INCH Sheet 1 of 2 SCALE 1:14	
CONFIDENTIAL DISCLOSURE This drawing is the property of POWEREX, INC. of the SCOTT FEITZER COMPANY and subject to return on demand. Its contents are confidential and must not be copied or submitted to outside parties for use or examination.		DRAWN BY: BFH CHECKED BY: DMS APPROVED BY: JBC, CT 12/04/12 1/2/13 1/2/13 1/2/13	
MATERIAL: N/A		 150 PRODUCTION DRIVE, HARRISON, OHIO 45030 Ph: 888-769-7979 FAX: (513) 367-3125	
PART NAME: 10HP LAB VACUUM 200G TRIPLEX		DWG NO: LVPT1005 SIZE: D	

8

7

6

5

4

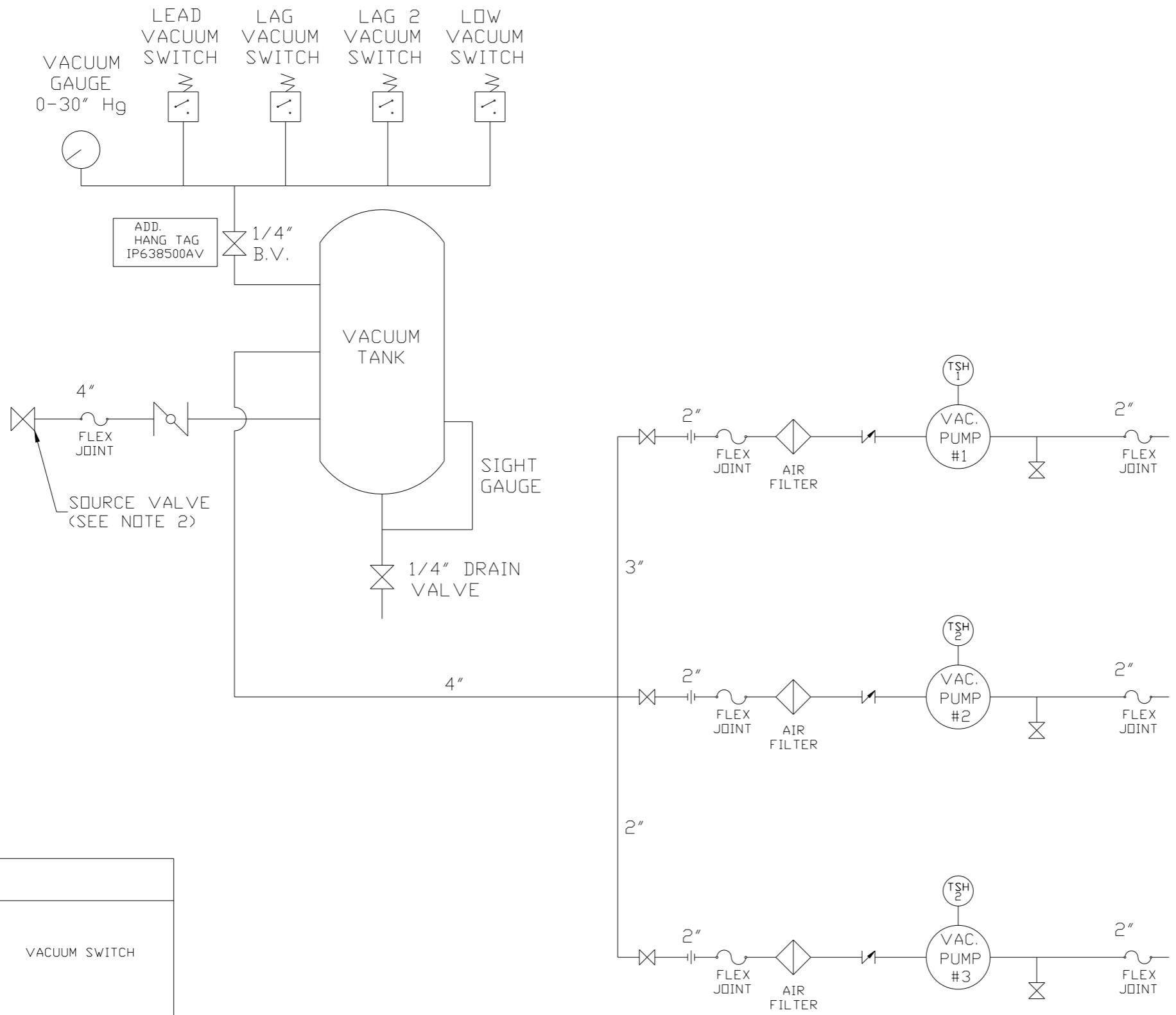
3

2

1

LVPT1005B.dwg

REV	ZONE	REVISION	DATE	ECN	NAME	CHKD
B-1	ALL	RELEASE TO PRODUCTION	1/2/13	PXEC003	BFH	DMS
C-1	ALL	ADDED 2" CLEARANCE TO PBM SHEETS	4/10/15	PXEC003	AEK	GES



LEGEND

	TEMP. SWITCH		VACUUM SWITCH
	BUTTERFLY VALVE		CHECK VALVE
	AIR FILTER		FLEX LINE
	BALL VALVE		UNION

NOTE:
 1) TSH - TEMPERATURE SWITCH HIGH
 2) PER NFPA THE SYSTEM WILL REQUIRE A SOURCE VALVE (SUPPLIED BY OTHERS).

NOTE:
 A 1/4 INCH VENT PLUG IS LOCATED IN THE FILTER HOUSING.

SYMBOL LEGEND			= ADDITIONAL CONTROL REQ'D		Drawings to conform to the current revision of the following ANSI standards:	
⊖ = MINUS DRAFT			= BRINELL HARDNESS		Y14.3 Multi and sectional view dsgs. Y14.5M Dimensioning and tolerancing	
⊕ = PLUS DRAFT		AUTOCAD REL2008 LT		DO NOT SCALE DRAWING FOR DIMENSIONS		
TOLERANCES NOT SPECIFIED		INCH		Sheet 2 of 2		SCALE 1:14
CONFIDENTIAL DISCLOSURE This drawing is the property of POWEREX, INC. of the SCOTT FETZER COMPANY and subject to return on demand. Its contents are confidential and must not be copied or submitted to outside parties for use or examination.						
DRAWN BY		CHECKED BY		APPROVED BY		MFG/MKTG
BFH		DMS		JBC		CT
12/05/12		1/2/13		1/2/13		1/2/13
MATERIAL		N/A				
PART NAME		TRIPLEX LAB VAC		150 PRODUCTION DRIVE, HARRISON, OHIO 45030 Ph: 888-769-7979 FAX: (513) 367-3125		
DWG NO		LVPT1005		SIZE D		
FLOW SCHEMATIC				LVPT1005B.dwg		