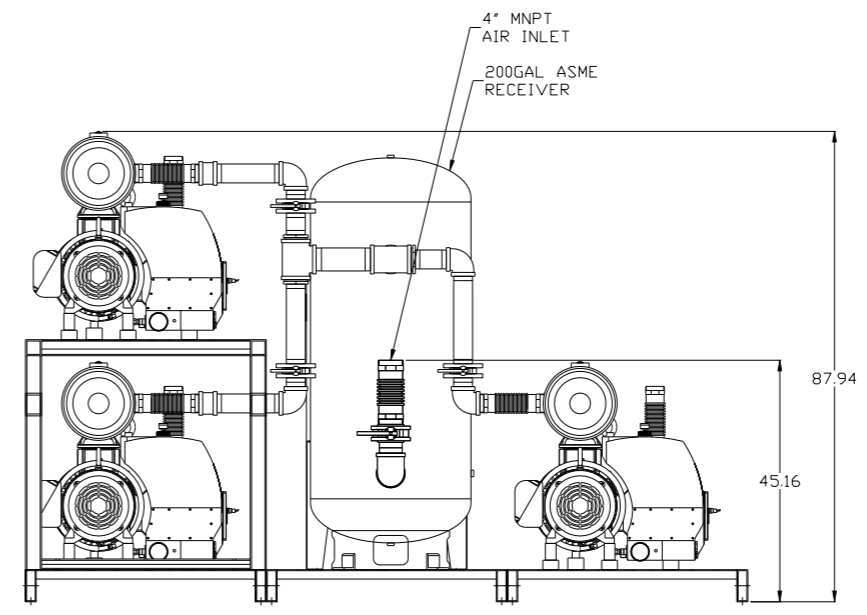
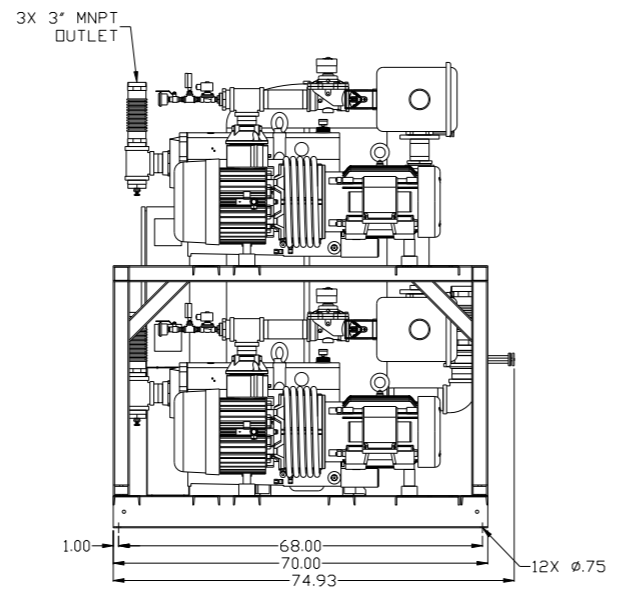
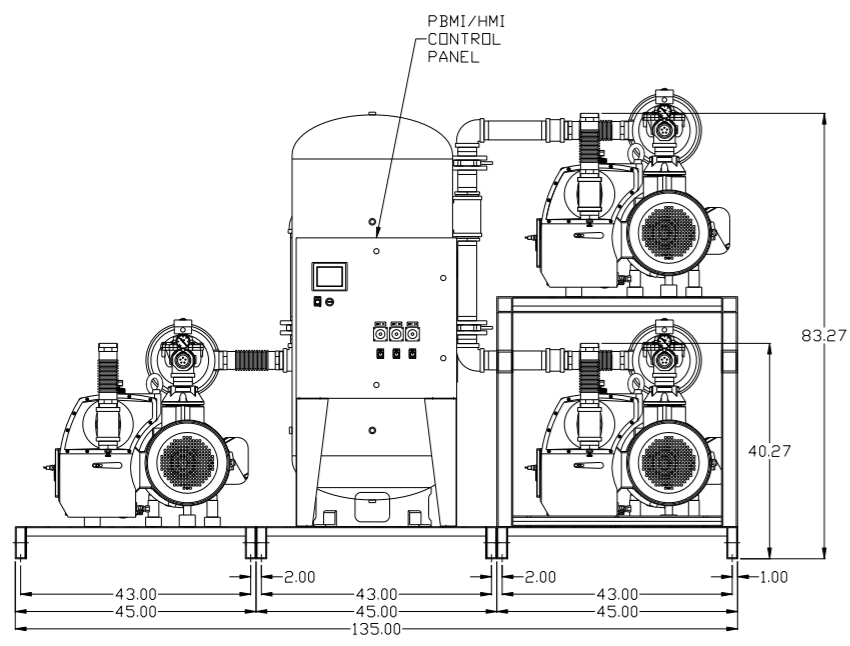
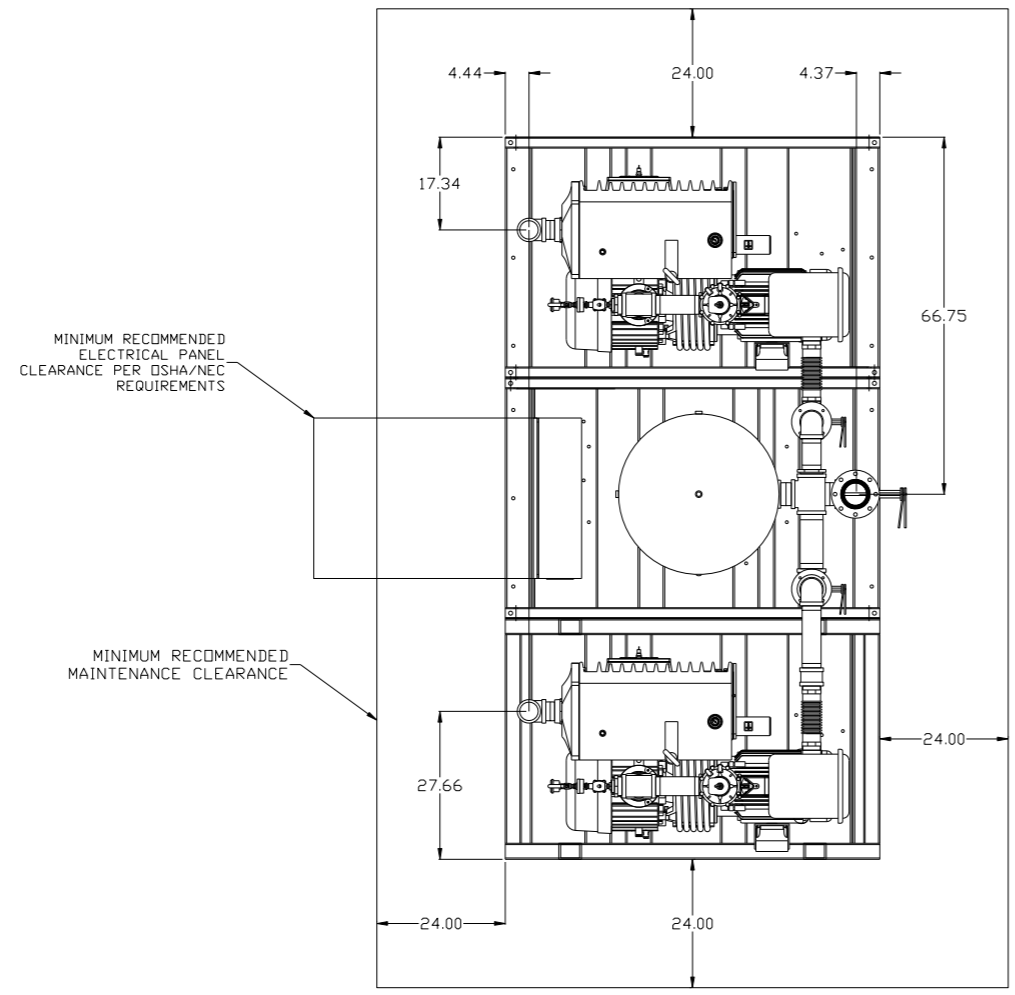


8 7 6 5 4 3 2 1

REV	ZONE	REVISION	DATE	ECN	NAME	CHKD
B-1	ALL	RELEASE TO PRODUCTION	1/2/13	PKEC0003	AEK	DMS
C-1	ALL	ADDED CENTER OF GRAVITY SHEETS	7/10/15	PKEC0093	AEK	GES



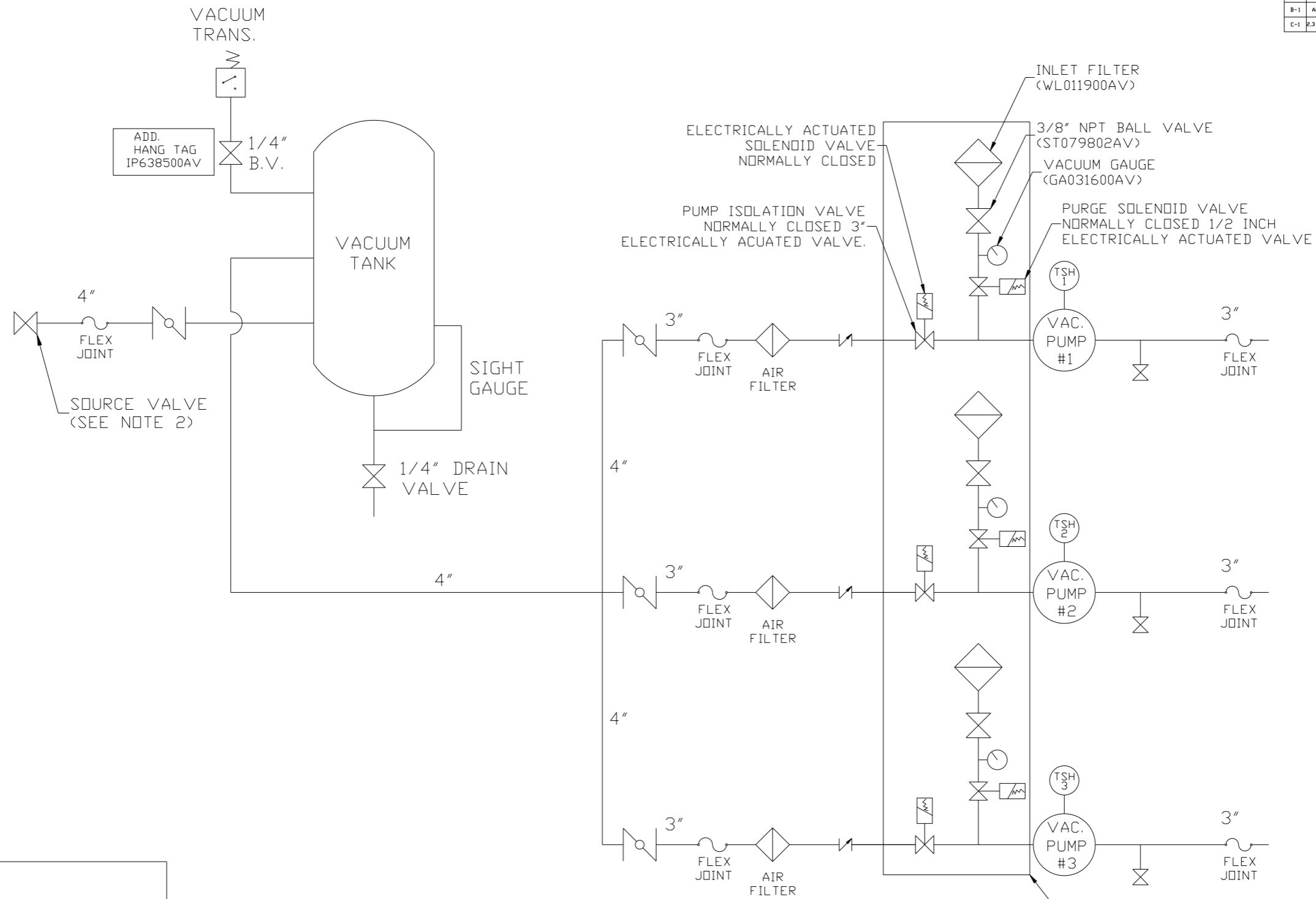
NOTE: AUTO PURGE IS OPTIONAL.

SYMBOL LEGEND ⊖ = MINUS DRAFT ⊕ = PLUS DRAFT .XX ± .XXX ± <Z< DEG > ±		= ADDITIONAL CONTROL REQ'D = BRINELL HARDNESS		Drawings to conform to the current revision of the following ANSI standards: Y14.3 Multi and sectional view dsgs. Y14.5M Dimensioning and tolerancing	
TOLERANCES NOT SPECIFIED INCH		AUTOCAD REL2008 LT DO NOT SCALE DRAWING FOR DIMENSIONS Sheet 2 of 4 SCALE 1:18			
CONFIDENTIAL DISCLOSURE This drawing is the property of POWEREX, INC. of the SCOTT FEITZER COMPANY and subject to return on demand. Its contents are confidential and must not be copied or submitted to outside parties for use or examination.					
DRAWN BY AEK		CHECKED BY DMS		APPROVED BY JBC CT	
MATERIAL N/A		11/15/12 1/2/13 1/2/13 1/2/13			
PART NAME 15HP LAB VACUUM 200GAL TRIPLEX		 150 PRODUCTION DRIVE, HARRISON, OHIO 45030 Ph 888-769-7979 FAX (513) 367-3125		DWG NO LVPT1505 SIZE D	

8 7 6 5 4 3 2 1

LVPT1505.dwg

REV	ZONE	REVISION	DATE	ECN	NAME	CHKD
B-1	ALL	RELEASE TO PRODUCTION	1/2/13	PXEC0003	AEK	DMS
C-1	B,3 ALL	ADDED CENTER OF GRAVITY SHEETS	7/10/15	PXEC0093	AEK	GES



NOTE:
A 1/4 INCH VENT PLUG IS
LOCATED IN THE FILTER HOUSING.

AUTO PURGE
IS OPTIONAL

LEGEND

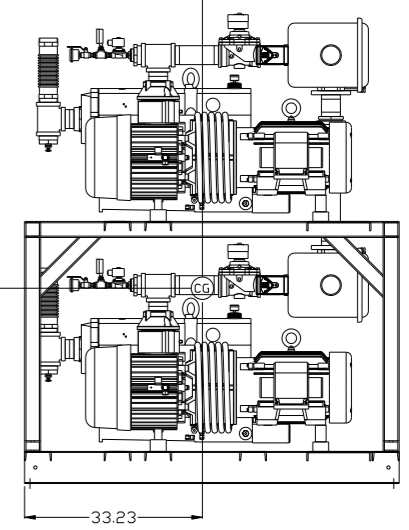
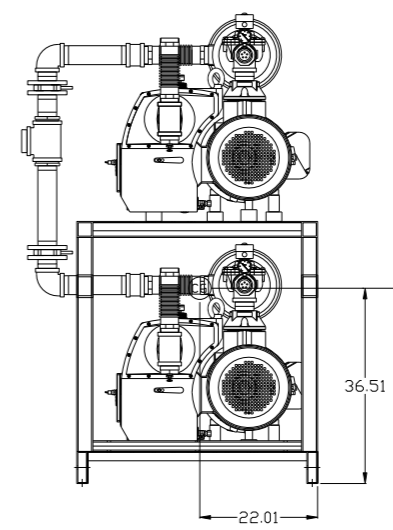
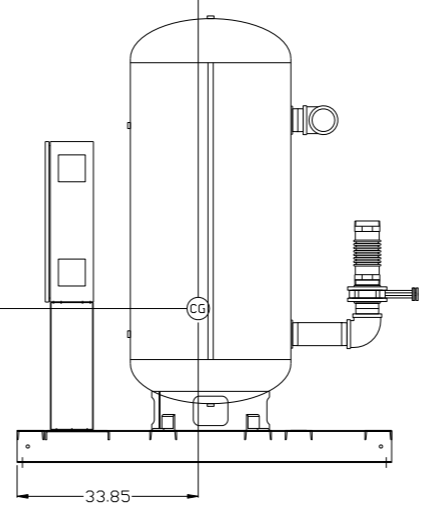
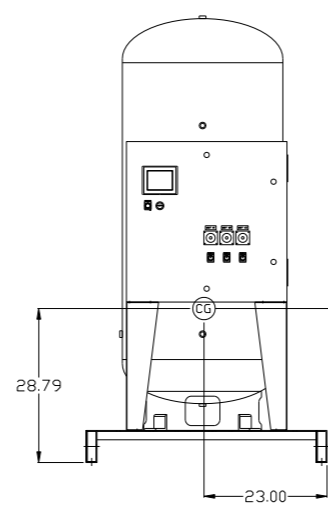
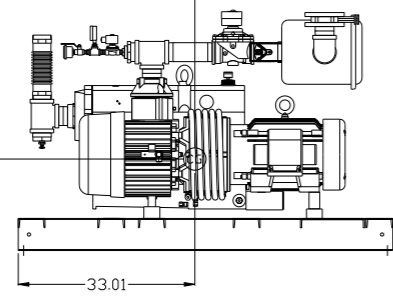
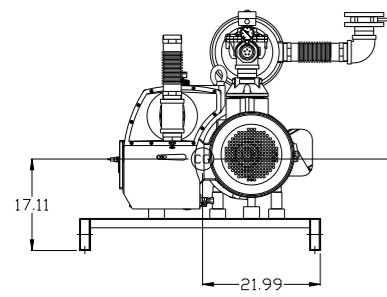
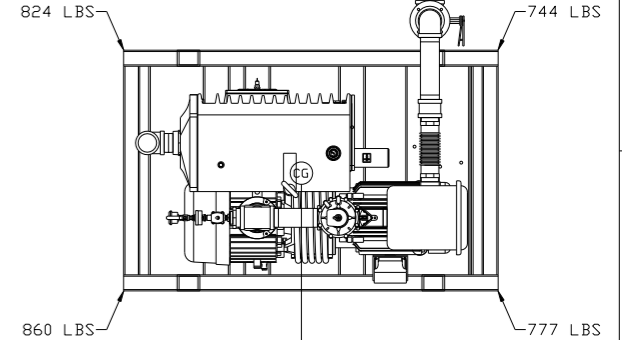
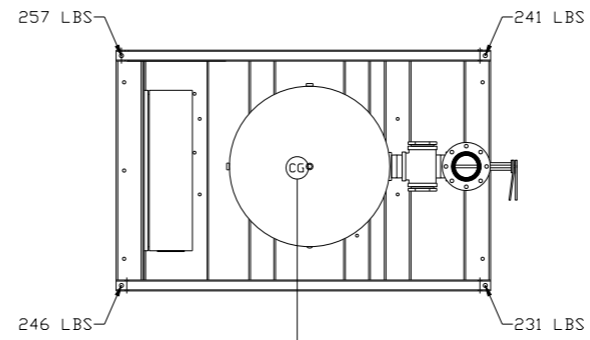
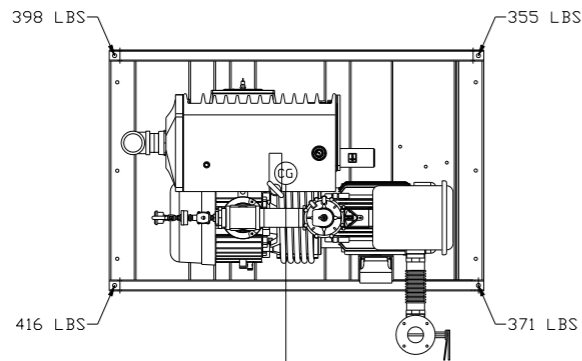
	TEMP. SWITCH		VACUUM SWITCH
	BUTTERFLY VALVE		CHECK VALVE
	AIR FILTER		FLEX LINE
	BALL VALVE		UNION

NOTE:
1) TSH - TEMPERATURE SWITCH HIGH
2) PER NFPA THE SYSTEM WILL REQUIRE A SOURCE VALVE (SUPPLIED BY OTHERS).

SYMBOL LEGEND			ADDITIONAL CONTROL REQ'D	Drawings to conform to the current revision of the following ANSI standards:	
	MINUS DRAFT		BRINELL HARDNESS	Y14.3 Multi and sectional view dsgs. Y14.5M Dimensioning and tolerancing	
TOLERANCES NOT SPECIFIED		AUTOCAD REL2008 LT		DO NOT SCALE DRAWING FOR DIMENSIONS	
.XX ±	.XXX ±	INCH		Sheet 2 of 4	SCALE 1:18
CONFIDENTIAL DISCLOSURE This drawing is the property of POWEREX, INC. of the SCOTT FETZER COMPANY and subject to return on demand. Its contents are confidential and must not be copied or submitted to outside parties for use or examination.					
DRAWN BY	CHECKED BY	ENGINEERING	MFG/MKTG		
AEK	DMS	JBC	CT		
11/15/12	1/2/13	1/2/13	1/2/13		
MATERIAL		N/A			
PART NAME		TRIPLEX LAB VACUUM			
DWG NO		LVPT1505			
SIZE		D			

8 7 6 5 4 3 2 1

REV	ZONE	REVISION	DATE	ECN	NAME	CHKD
C-1	R,3 ALL	ADDED CENTER OF GRAVITY SHEETS	7/10/15	PXEC0093	AEK	GES



PUMP SKID #2
 TOTAL WEIGHT: 1540 LBS
 C.O.G. DIMENSIONS
 X (FRONT): -21.99"
 Y (RIGHT): 33.01"
 Z (HEIGHT): 17.11"

TANK/PANEL SKID
 TOTAL WEIGHT: 975 LBS
 C.O.G. DIMENSIONS
 X (FRONT): -23.00"
 Y (RIGHT): 33.85"
 Z (HEIGHT): 28.79"

PUMP SKID #1
 TOTAL WEIGHT: 3205 LBS
 C.O.G. DIMENSIONS
 X (FRONT): -22.02"
 Y (RIGHT): 33.23"
 Z (HEIGHT): 36.51"

⊙ DENOTES CENTER OF GRAVITY (CG)

SYMBOL LEGEND	⊙ = MINUS DRAFT	⊕ = PLUS DRAFT	⊖ = ADDITIONAL CONTROL REQ'D	⊖ = BRINELL HARDNESS	Drawings to conform to the current revision of the following ANSI standards: Y14.3 Multi and sectional view dgs. Y14.5M Dimensioning and tolerancing
----------------------	-----------------	----------------	------------------------------	----------------------	--

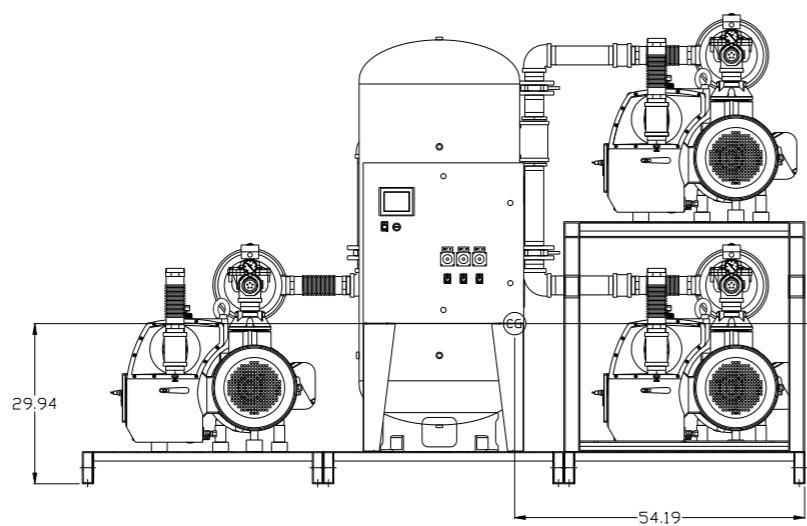
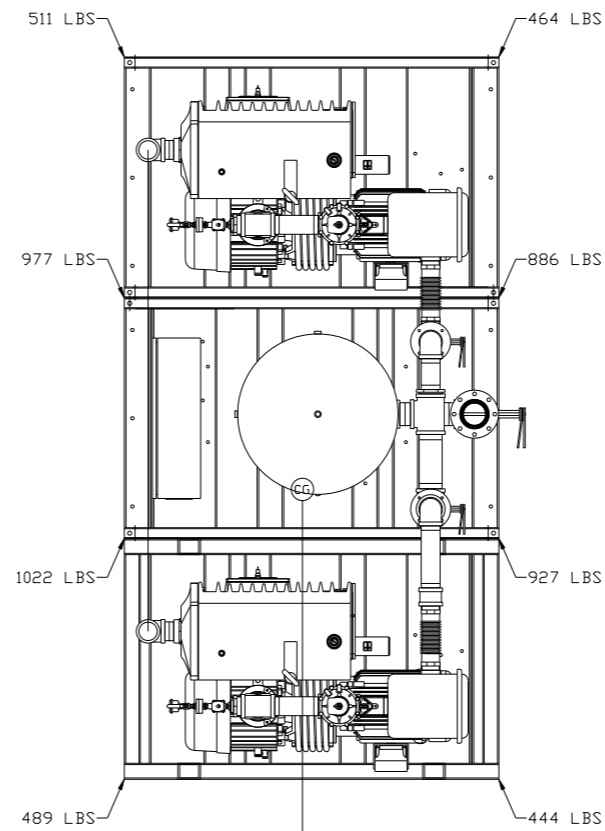
TOLERANCES NOT SPECIFIED	AUTOCAD REL2008 LT	DO NOT SCALE DRAWING FOR DIMENSIONS
.XX ± .XXX ± ∠(DEG) ±	INCH	Sheet 3 of 4
		SCALE 1: 18

CONFIDENTIAL DISCLOSURE This drawing is the property of POWEREX, INC. of the SCOTT FELTZER COMPANY and subject to return on demand. Its contents are confidential and must not be copied or submitted to outside parties for use or examination.	DRAWN BY	CHECKED BY	APPROVED BY	DATE
	AEK	GES	KMD RJR	7/10/15 7/10/15 7/10/15 7/10/15

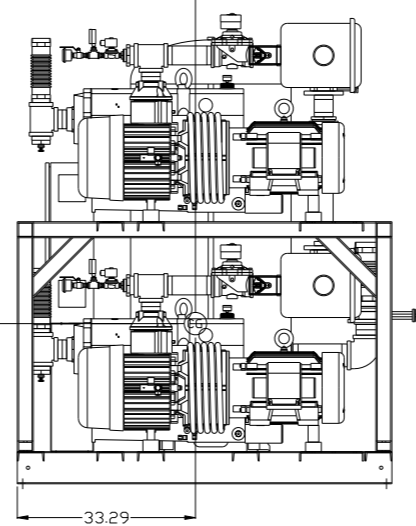
MATERIAL	N/A	 150 PRODUCTION DRIVE, HARRISON, OHIO 45030 Ph: 888-769-7979 FAX: (513) 367-3125
PART NAME	15HP LAB VACUUM 200GAL TRIPLEX	
DWG NO	LVPT1505	

LVPT1505.dwg

REV	ZONE	REVISION	DATE	ECN	NAME	CHKD
C-1	R-3 ALL	ADDED CENTER OF GRAVITY SHEETS	7/10/15	PXEC0093	AEK	GES



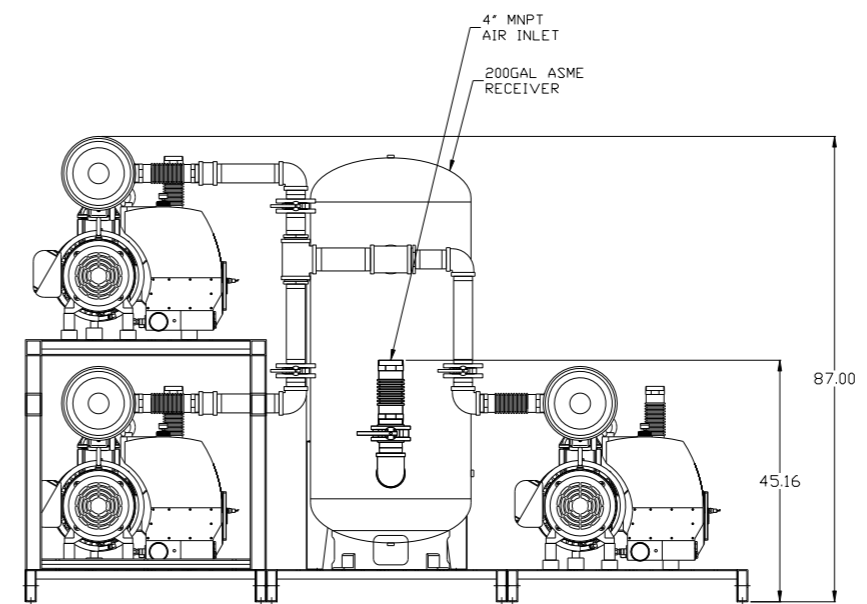
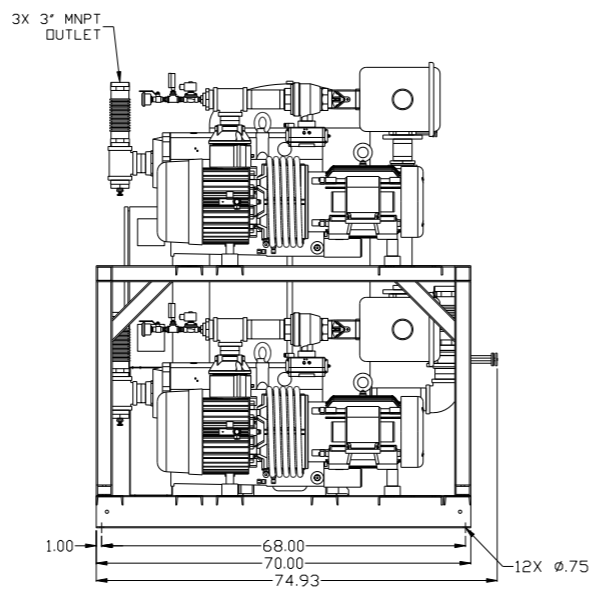
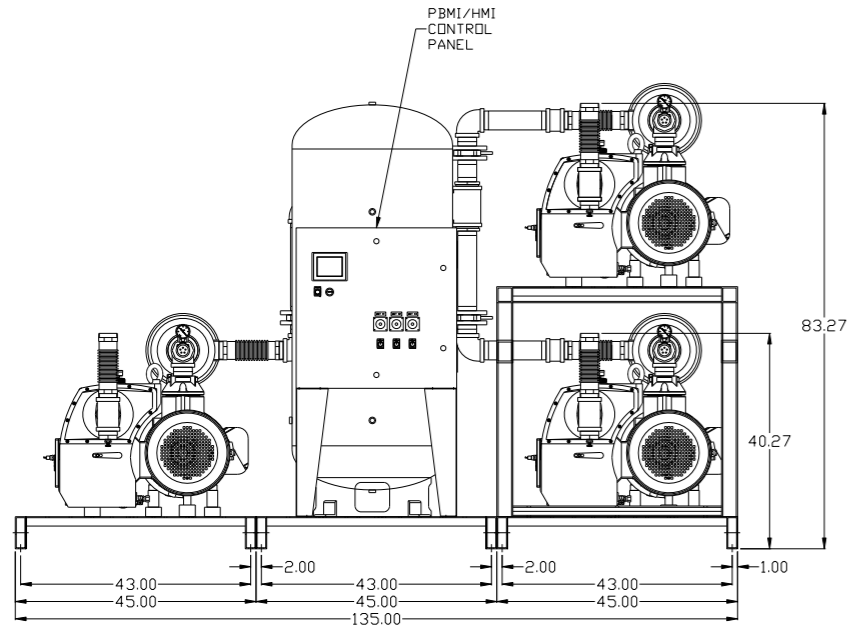
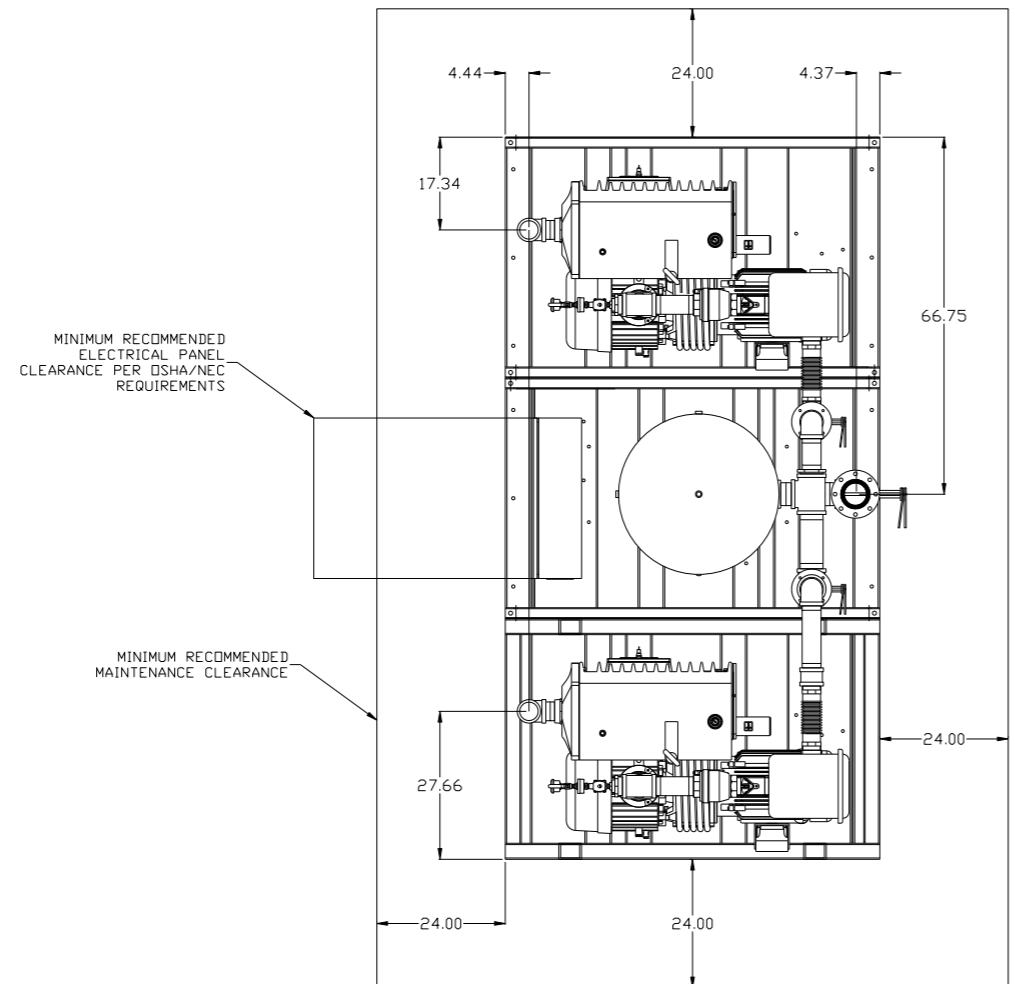
SYSTEM
 TOTAL WEIGHT: 5720 LBS
 C.O.G. DIMENSIONS
 X (FRONT): -54.19"
 Y (RIGHT): 33.29"
 Z (HEIGHT): 29.94"



DENOTES CENTER OF GRAVITY (CG)

SYMBOL LEGEND ⊖ = MINUS DRAFT ⊕ = PLUS DRAFT TOLERANCES NOT SPECIFIED .XX ± .XXX ± <<DEG> ±		= ADDITIONAL CONTROL REQ'D = BRINELL HARDNESS		Drawings to conform to the current revision of the following ANSI standards: Y14.3 Multi and sectional view dgs. Y14.5M Dimensioning and tolerancing	
AUTOCAD REL2008 LT INCH		DO NOT SCALE DRAWING FOR DIMENSIONS Sheet 4 of 4 SCALE 1:18		CONFIDENTIAL DISCLOSURE This drawing is the property of POWEREX, INC. of the SCOTT FETZER COMPANY and subject to return on demand. Its contents are confidential and must not be copied or submitted to outside parties for use or examination.	
DRAWN BY AEK	CHECKED BY GES	APPROVED BY KMD	MFG/MKTG RJR	7/10/15	7/10/15
MATERIAL N/A		POWEREX 150 PRODUCTION DRIVE, HARRISON, OHIO 45030 Ph: 888-769-7979 FAX: (513) 367-3125		DWG NO LVPT1505	SIZE D
PART NAME 15HP LAB VACUUM 200GAL TRIPLEX		LVPT1505.dwg			

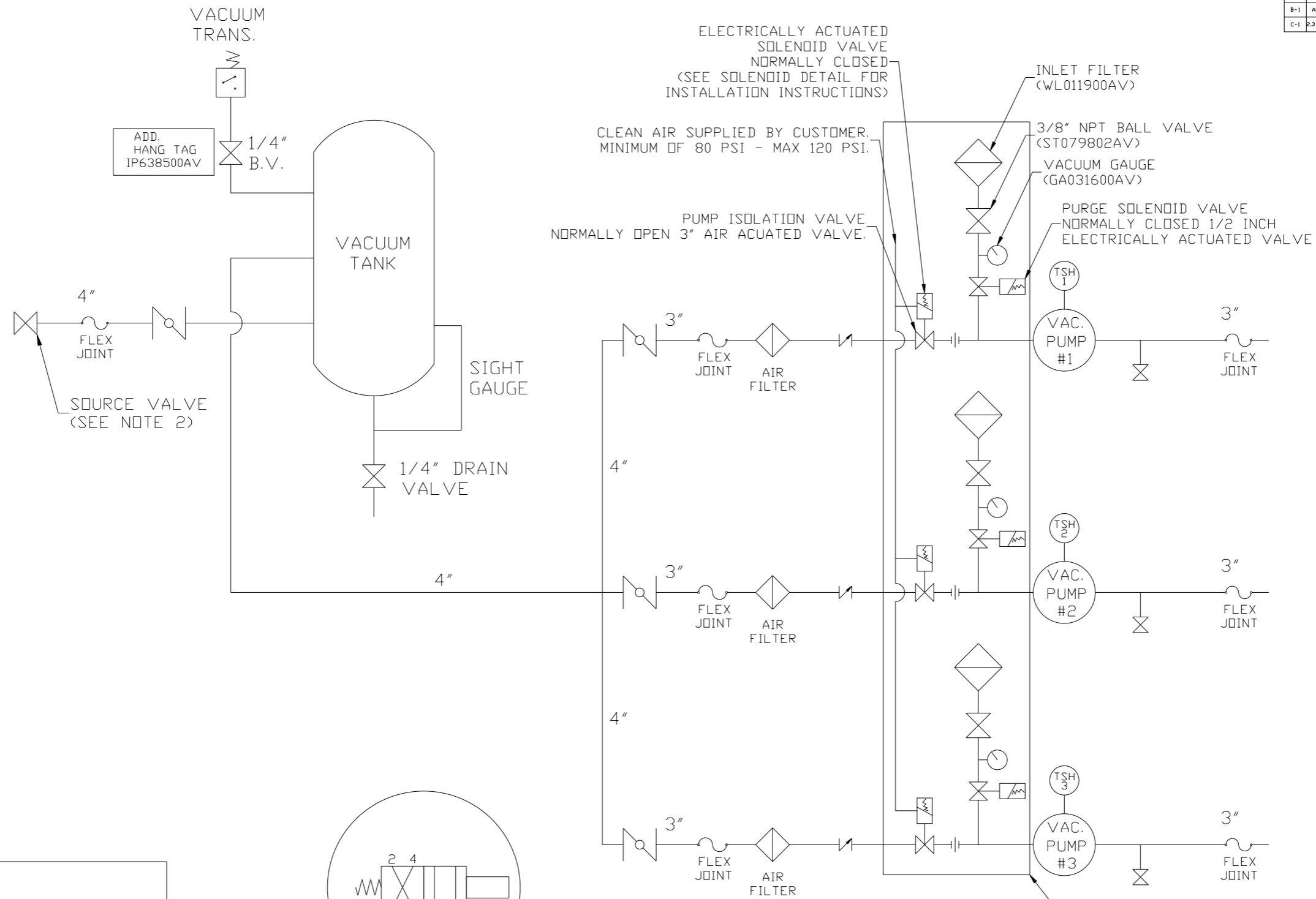
REV	ZONE	REVISION	DATE	ECN	NAME	CHKD
B-1	ALL	RELEASE TO PRODUCTION	1/2/13	PKEC0003	AEK	DMS
C-1	ALL	ADDED CENTER OF GRAVITY SHEETS	7/10/15	PKEC0093	AEK	GES



NOTE: AUTO PURGE IS OPTIONAL.

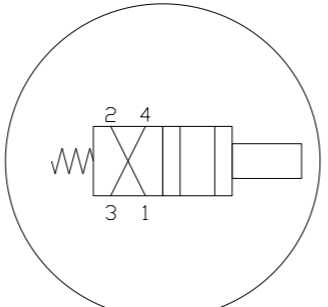
SYMBOL LEGEND ⊖ = MINUS DRAFT ⊕ = PLUS DRAFT TOLERANCES NOT SPECIFIED: .XX ± .XXX ± \angle DEG ±		= ADDITIONAL CONTROL REQ'D = BRINELL HARDNESS		Drawings to conform to the current revision of the following ANSI standards: Y14.3 Multi and sectional view dsgs. Y14.5M Dimensioning and tolerancing	
AUTOCAD REL2008 LT INCH		DO NOT SCALE DRAWING FOR DIMENSIONS Sheet 2 of 4 SCALE 1:18		CONFIDENTIAL DISCLOSURE This drawing is the property of POWEREX, INC. of the SCOTT FEITZER COMPANY and subject to return on demand. Its contents are confidential and must not be copied or submitted to outside parties for use or examination.	
DRAWN BY AEK		CHECKED BY DMS		APPROVED BY JBC CT	
11/15/12		1/2/13		1/2/13 1/2/13	
MATERIAL N/A		POWEREX 150 PRODUCTION DRIVE, HARRISON, OHIO 45030 Ph 888-769-7979 FAX (513) 367-3125		SIZE D	
PART NAME 15HP LAB VACUUM 200GAL TRIPLEX		DWG NO LVPT1505		SIZE D	

REV	ZONE	REVISION	DATE	ECN	NAME	CHKD
B-1	ALL	RELEASE TO PRODUCTION	1/2/13	PXEC0003	AEK	DMS
C-1	B-3 ALL	ADDED CENTER OF GRAVITY SHEETS	7/10/15	PXEC0093	AEK	GES



LEGEND

	TEMP. SWITCH		VACUUM SWITCH
	BUTTERFLY VALVE		CHECK VALVE
	AIR FILTER		FLEX LINE
	BALL VALVE		UNION



SOLENOID DETAIL:
 1) VALVE - INPUT #1
 2) MUFFLER - INPUT #2
 3) SUPPLY AIR - INPUT #4

NOTE:
 1) TSH - TEMPERATURE SWITCH HIGH
 2) PER NFPA THE SYSTEM WILL REQUIRE A SOURCE VALVE (SUPPLIED BY OTHERS).

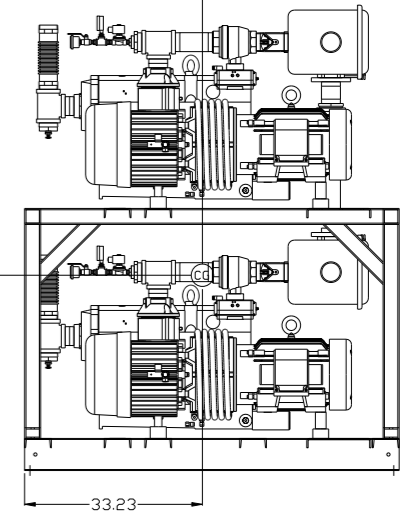
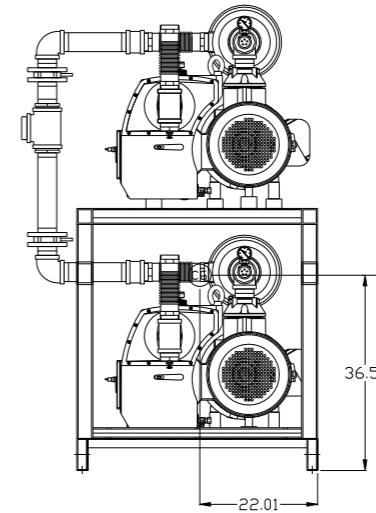
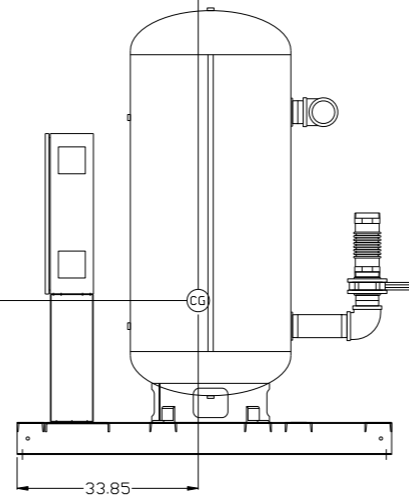
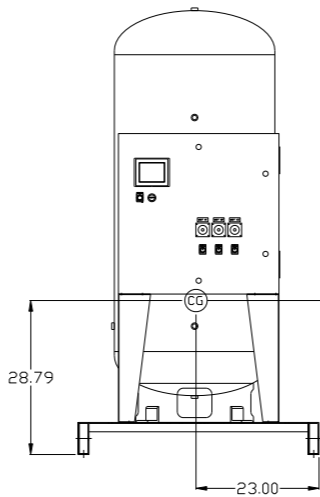
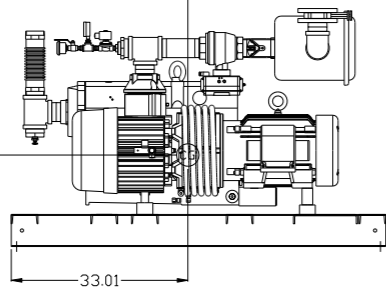
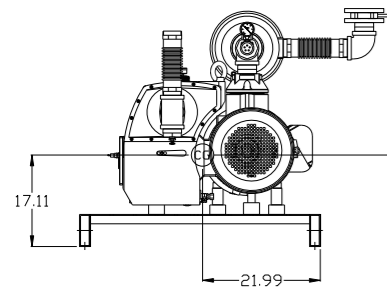
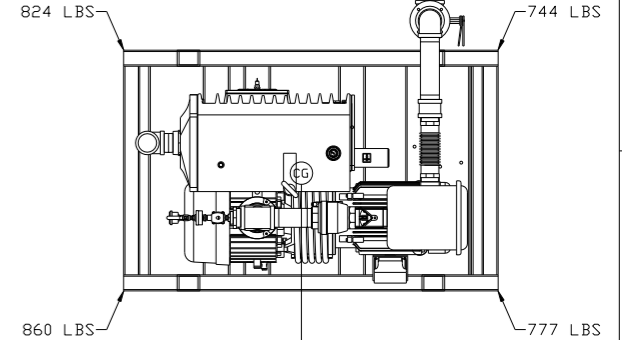
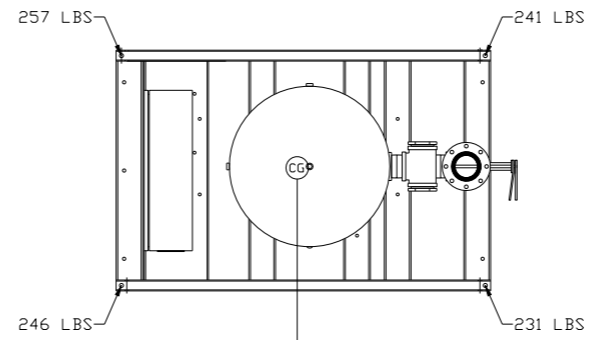
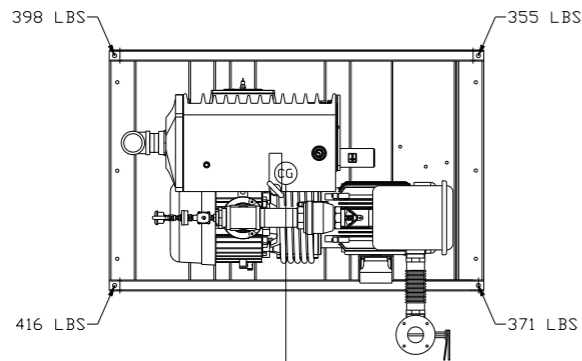
NOTE:
 A 1/4 INCH VENT PLUG IS LOCATED IN THE FILTER HOUSING.

AUTO PURGE IS OPTIONAL

SYMBOL LEGEND			ADDITIONAL CONTROL REQ'D	Drawings to conform to the current revision of the following ANSI standards	
	MINUS DRAFT		BRINELL HARDNESS	Y14.3 Multi and sectional view dgs. Y14.5M Dimensioning and tolerancing	
TOLERANCES NOT SPECIFIED		AUTOCAD REL2008 LT		DO NOT SCALE DRAWING FOR DIMENSIONS	
.XX ±	.XXX ±	INCH		Sheet 2 of 4	SCALE 1:18
CONFIDENTIAL DISCLOSURE This drawing is the property of POWEREX, INC. of the SCOTT FETZER COMPANY and subject to return on demand. Its contents are confidential and must not be copied or submitted to outside parties for use or examination.					
DRAWN BY	CHECKED BY	ENGINEERING	MFG/MKTG	APPROVED BY	
AEK	DMS	JBC	CT		
MATERIAL		N/A		11/15/12 1/2/13 1/2/13 1/2/13	
PART NAME		TRIPLEX LAB VACUUM		SIZE D	
FLOW SCHEMATIC		LVPT1505		LVPT1505.dwg	

8 7 6 5 4 3 2 1

REV	ZONE	REVISION	DATE	ECN	NAME	CHKD
C-1	R,3 ALL	ADDED CENTER OF GRAVITY SHEETS	7/10/15	PXEC0093	AEK	GES



PUMP SKID #2
 TOTAL WEIGHT: 1540 LBS
 C.O.G. DIMENSIONS
 X (FRONT): -21.99"
 Y (RIGHT): 33.01"
 Z (HEIGHT): 17.11"

TANK/PANEL SKID
 TOTAL WEIGHT: 975 LBS
 C.O.G. DIMENSIONS
 X (FRONT): -23.00"
 Y (RIGHT): 33.85"
 Z (HEIGHT): 28.79"

PUMP SKID #1
 TOTAL WEIGHT: 3205 LBS
 C.O.G. DIMENSIONS
 X (FRONT): -22.02"
 Y (RIGHT): 33.23"
 Z (HEIGHT): 36.51"

⊙ DENOTES CENTER OF GRAVITY (CG)

SYMBOL LEGEND	⊙ = MINUS DRAFT	⊕ = PLUS DRAFT	⊕ = ADDITIONAL CONTROL REQ'D	⊕ = BRINELL HARDNESS	Drawings to conform to the current revision of the following ANSI standards: Y14.3 Multi and sectional view dgs. Y14.5M Dimensioning and tolerancing
----------------------	-----------------	----------------	------------------------------	----------------------	--

TOLERANCES NOT SPECIFIED	AUTOCAD REL2008 LT	DO NOT SCALE DRAWING FOR DIMENSIONS
.XX ± .XXX ± ∠(DEG) ±	INCH	Sheet 3 of 4
		SCALE 1: 18

CONFIDENTIAL DISCLOSURE This drawing is the property of POWEREX, INC. of the SCOTT FELTZER COMPANY and subject to return on demand. Its contents are confidential and must not be copied or submitted to outside parties for use or examination.			
DRAWN BY	CHECKED BY	APPROVED BY	ENGINEERING MFG/MRKTG
AEK	GES	KMD	RJR
7/10/15	7/10/15	7/10/15	7/10/15

MATERIAL	N/A	 150 PRODUCTION DRIVE, HARRISON, OHIO 45030 Ph: 888-769-7979 FAX: (513) 367-3125
PART NAME	15HP LAB VACUUM 200GAL TRIPLEX	
DWG NO	LVPT1505	
SIZE	D	

8 7 6 5 4 3 2 1

8

7

6

5

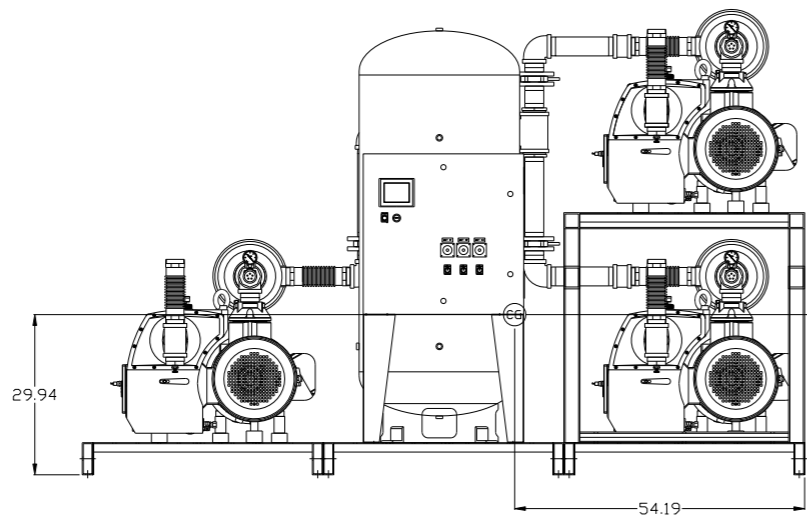
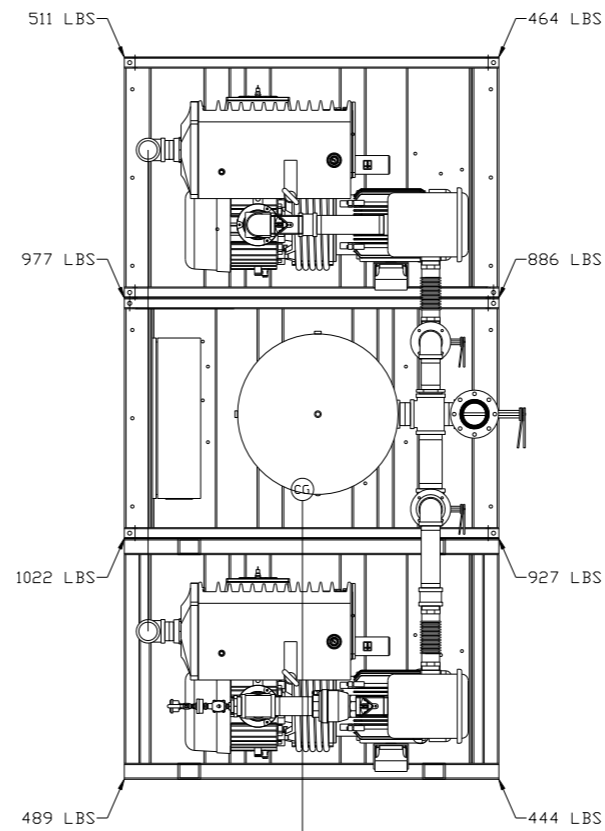
4

3

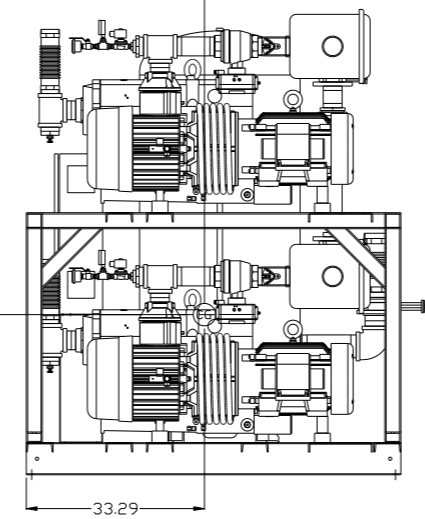
2

1

REV	ZONE	REVISION	DATE	ECN	NAME	CHKD
C-1	R,3 ALL	ADDED CENTER OF GRAVITY SHEETS	7/10/15	PXEC0093	AEK	GES



SYSTEM
 TOTAL WEIGHT: 5720 LBS
 C.O.G. DIMENSIONS
 X (FRONT): -54.19"
 Y (RIGHT): 33.29"
 Z (HEIGHT): 29.94"



DENOTES CENTER OF GRAVITY (CG)

SYMBOL LEGEND ⊖ = MINUS DRAFT ⊕ = PLUS DRAFT TOLERANCES NOT SPECIFIED .XX ± .XXX ± <<DEG> ±		= ADDITIONAL CONTROL REQ'D = BRINELL HARDNESS		Drawings to conform to the current revision of the following ANSI standards: Y14.3 Multi and sectional view dgs. Y14.5M Dimensioning and tolerancing	
AUTOCAD REL2008 LT INCH		DO NOT SCALE DRAWING FOR DIMENSIONS Sheet 4 of 4 SCALE 1:18		CONFIDENTIAL DISCLOSURE This drawing is the property of POWEREX, INC. of the SCOTT FETZER COMPANY and subject to return on demand. Its contents are confidential and must not be copied or submitted to outside parties for use or examination.	
DRAWN BY AEK	CHECKED BY GES	APPROVED BY KMD	MFG/MKTG RJR	7/10/15	7/10/15
MATERIAL N/A		POWEREX 150 PRODUCTION DRIVE, HARRISON, OHIO 45030 Ph: 888-769-7979 FAX: (513) 367-3125		DWG NO LVPT1505	SIZE D
PART NAME 15HP LAB VACUUM 200GAL TRIPLEX		LVPT1505.dwg			

8

7

6

5

4

3

2

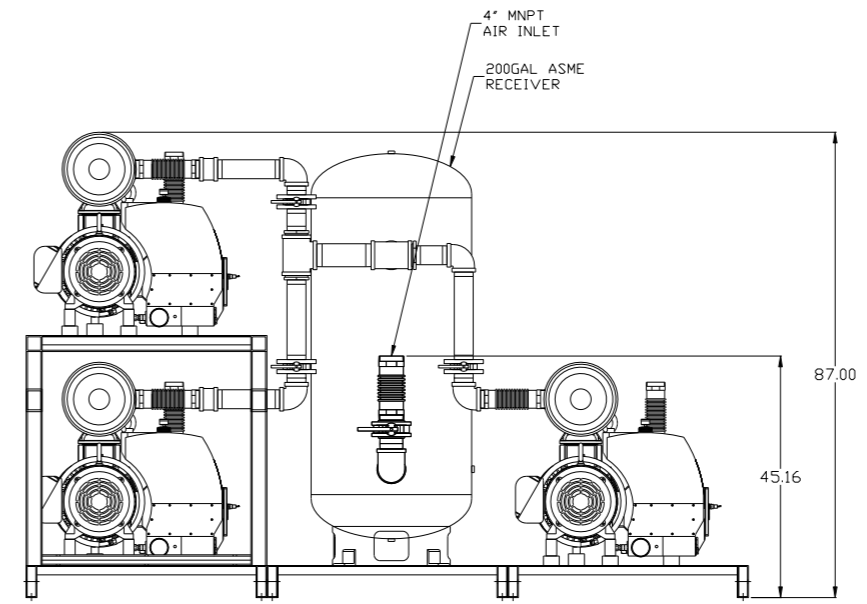
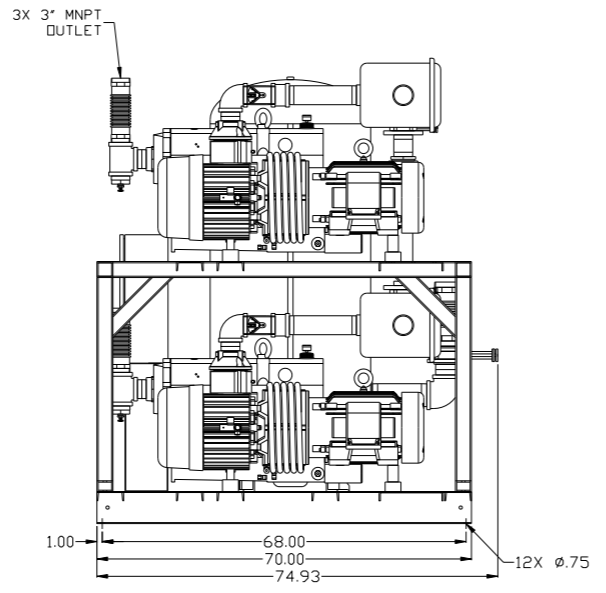
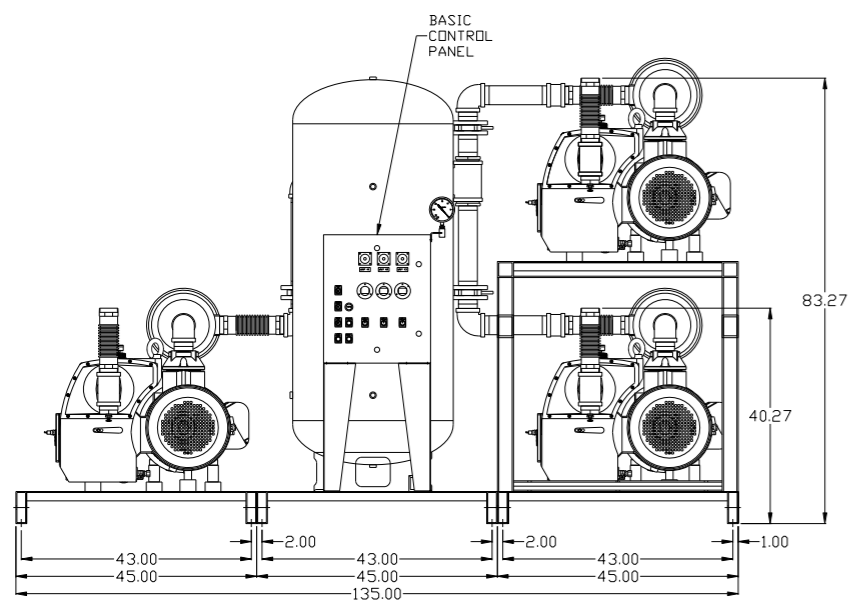
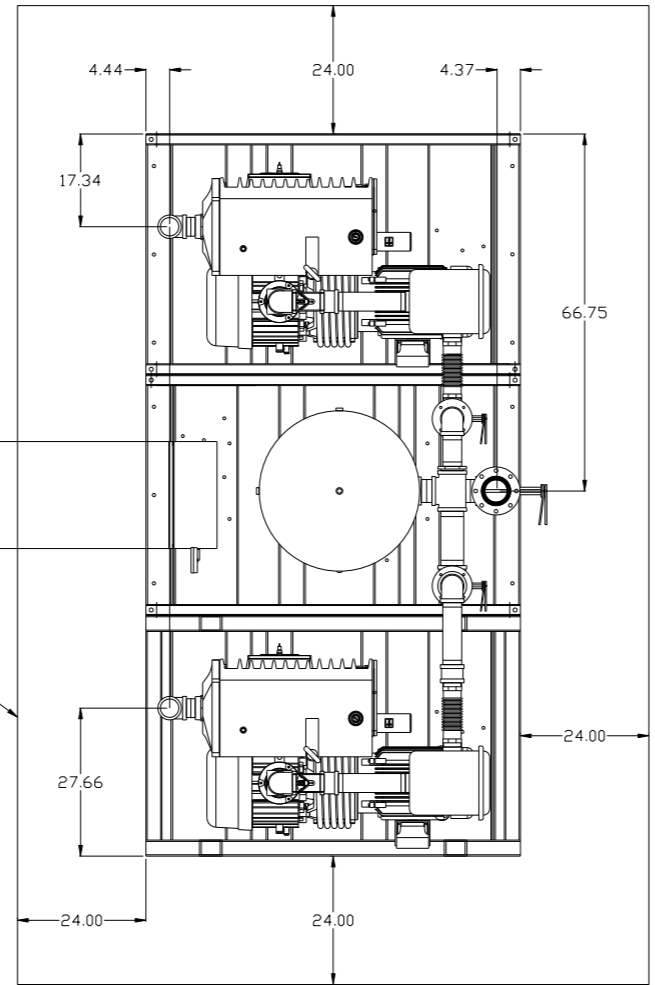
1

8 7 6 5 4 3 2 1

REV	ZONE	REVISION	DATE	ECN	NAME	CHKD
B-1	ALL	RELEASE TO PRODUCTION	1/2/13	PKEC0003	AEK	DMS
C-1	2,3 ALL	ADDED CENTER OF GRAVITY SHEETS	7/10/15	PKEC0093	AEK	GES

MINIMUM RECOMMENDED ELECTRICAL PANEL CLEARANCE PER OSHA/NEC REQUIREMENTS

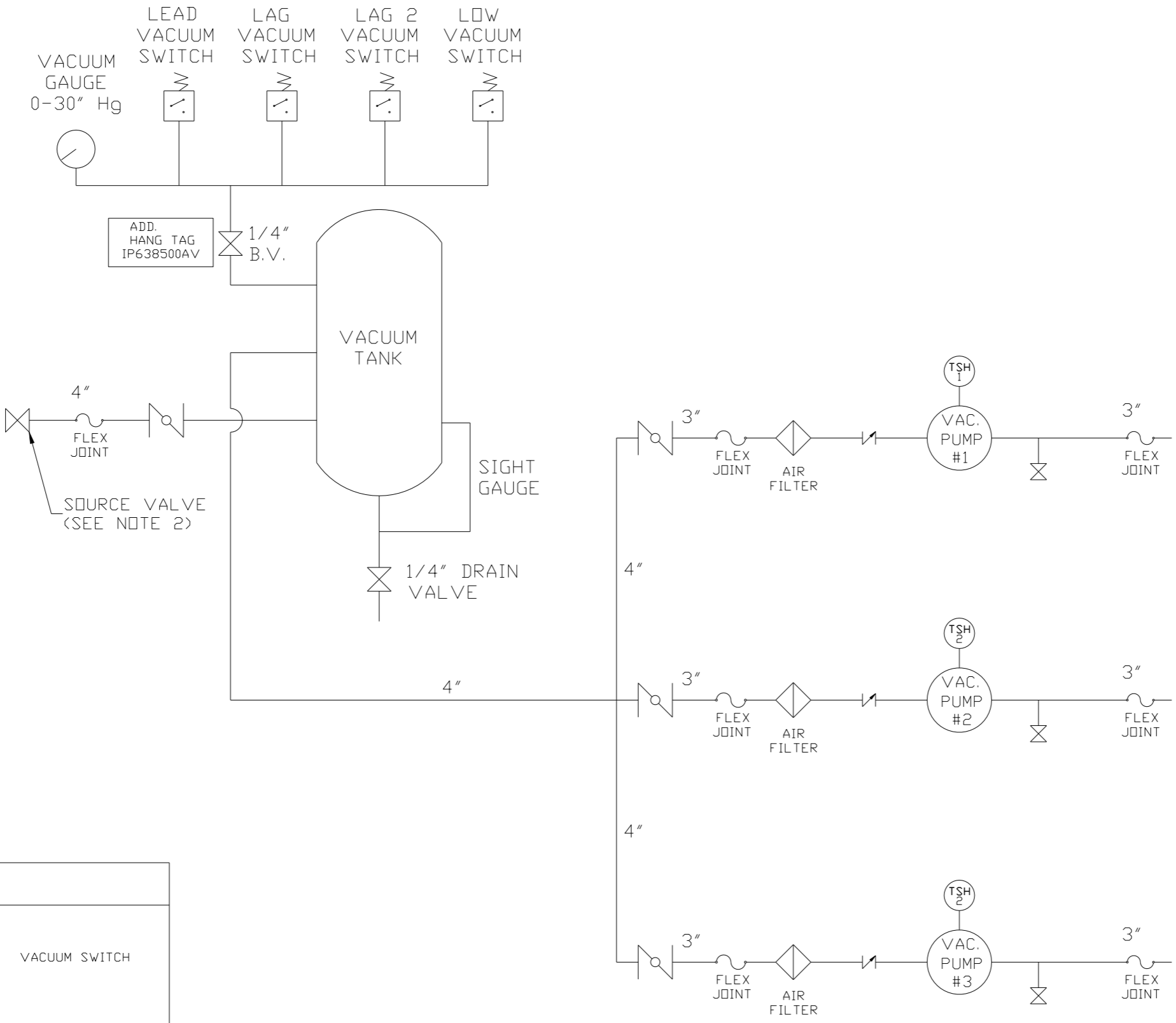
MINIMUM RECOMMENDED MAINTENANCE CLEARANCE



SYMBOL LEGEND ⊖ = MINUS DRAFT ⊕ = PLUS DRAFT .XX ± .XXX ± \angle(DEG) ±		= ADDITIONAL CONTROL REQ'D = BRINELL HARDNESS		Drawings to conform to the current revision of the following ANSI standards: Y14.3 Multi and sectional view dgs. Y14.5M Dimensioning and tolerancing	
TOLERANCES NOT SPECIFIED .XX ± .XXX ± \angle(DEG) ±		AUTOCAD REL2008 LT INCH		DO NOT SCALE DRAWING FOR DIMENSIONS Sheet 2 of 4 SCALE 1:18	
CONFIDENTIAL DISCLOSURE This drawing is the property of POWEREX, INC. of the SCOTT FETZER COMPANY and subject to return on demand. Its contents are confidential and must not be copied or submitted to outside parties for use or examination.					
DRAWN BY AEK		CHECKED BY DMS		APPROVED BY JBC CT	
11/15/12		1/2/13		1/2/13 1/2/13	
MATERIAL N/A		POWEREX 150 PRODUCTION DRIVE, HARRISON, OHIO 45030 Ph 888-769-7979 FAX (513) 367-3125		SIZE LVPT1505 D	
PART NAME 15HP LAB VACUUM 200GAL TRIPLEX		DWG NO LVPT1505		SIZE D	

8 7 6 5 4 3 2 1

REV	ZONE	REVISION	DATE	ECN	NAME	CHKD
B-1	ALL	RELEASE TO PRODUCTION	1/2/13	PXEC0003	AEK	DMS
C-1	B,3 ALL	ADDED CENTER OF GRAVITY SHEETS	7/10/15	PXEC0093	AEK	GES



LEGEND

	TEMP. SWITCH		VACUUM SWITCH
	BUTTERFLY VALVE		CHECK VALVE
	AIR FILTER		FLEX LINE
	BALL VALVE		UNION

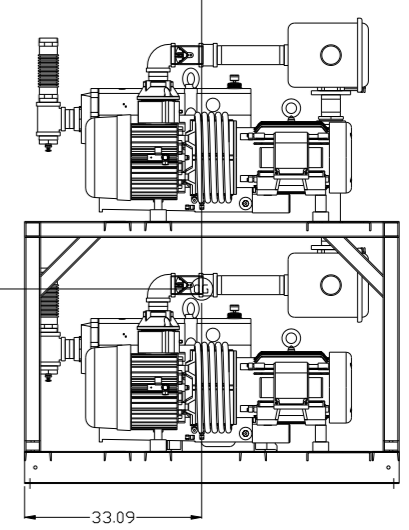
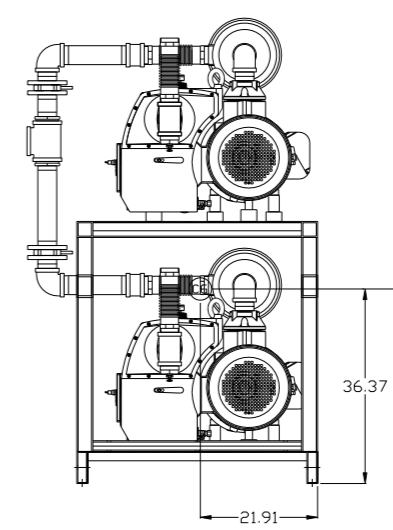
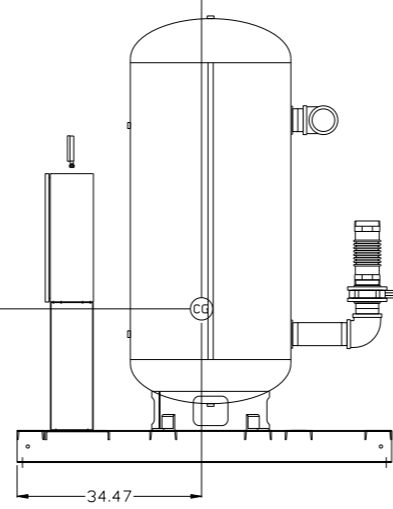
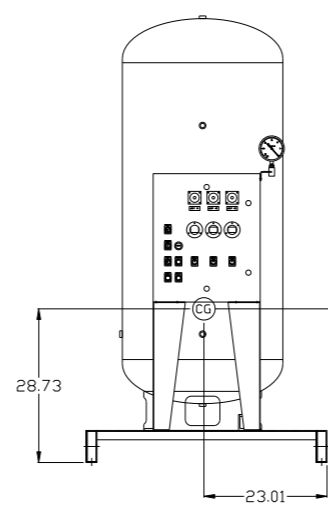
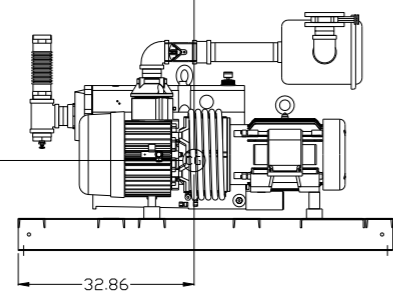
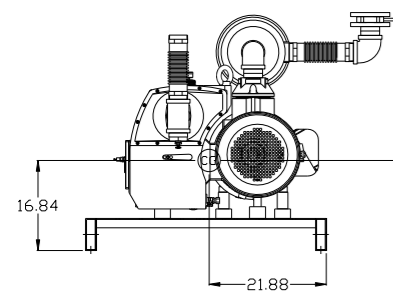
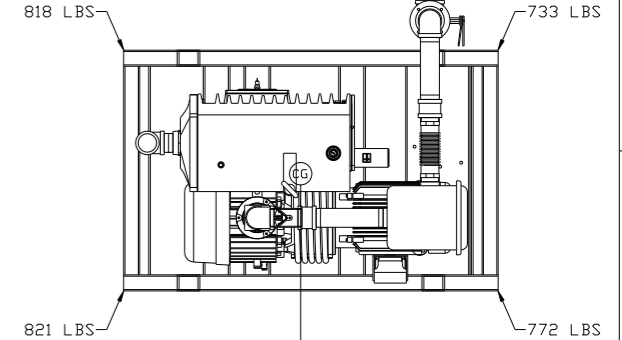
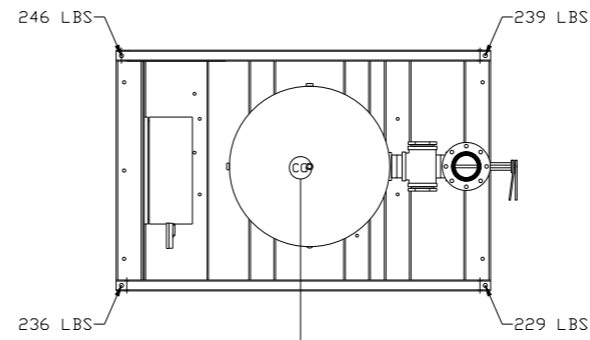
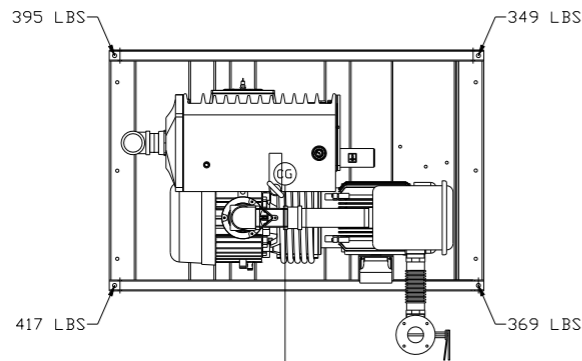
NOTE:
 1) TSH - TEMPERATURE SWITCH HIGH
 2) PER NFPA THE SYSTEM WILL REQUIRE A SOURCE VALVE (SUPPLIED BY OTHERS).

NOTE:
 A 1/4 INCH VENT PLUG IS LOCATED IN THE FILTER HOUSING.

SYMBOL LEGEND			ADDITIONAL CONTROL REQ'D	Drawings to conform to the current revision of the following ANSI standards:
	MINUS DRAFT		BRINELL HARDNESS	Y14.3 Multi and sectional view dsgs. Y14.5M Dimensioning and tolerancing
	PLUS DRAFT			
TOLERANCES NOT SPECIFIED	AUTOCAD REL2008 LT	DO NOT SCALE DRAWING FOR DIMENSIONS		
.XX ±		Sheet 2 of 4	SCALE	1:18
.XXX ±				
<DEG> ±				
CONFIDENTIAL DISCLOSURE		This drawing is the property of POWEREX, INC. of the SCOTT FETZER COMPANY and subject to return on demand. Its contents are confidential and must not be copied or submitted to outside parties for use or examination.		
DRAWN BY	CHECKED BY	ENGINEERING	MFG/MKTG	
AEK	DMS	JBC	CT	
11/15/12	1/2/13	1/2/13	1/2/13	
MATERIAL		N/A		
PART NAME		TRIPLEX LAB VACUUM FLOW SCHEMATIC		
DWG NO		LVPT1505		
SIZE		D		

8 7 6 5 4 3 2 1

REV	ZONE	REVISION	DATE	ECN	NAME	CHKD
C-1	R,3 ALL	ADDED CENTER OF GRAVITY SHEETS	7/10/15	PXEC0093	AEK	GES



PUMP SKID #2
 TOTAL WEIGHT: 1530 LBS
 C.O.G. DIMENSIONS
 X (FRONT): -21.88"
 Y (RIGHT): 32.86"
 Z (HEIGHT): 16.84"

TANK/PANEL SKID
 TOTAL WEIGHT: 950 LBS
 C.O.G. DIMENSIONS
 X (FRONT): -23.01"
 Y (RIGHT): 34.47"
 Z (HEIGHT): 28.73"

PUMP SKID #1
 TOTAL WEIGHT: 3185 LBS
 C.O.G. DIMENSIONS
 X (FRONT): -21.91"
 Y (RIGHT): 33.09"
 Z (HEIGHT): 36.37"

Ⓞ DENOTES CENTER OF GRAVITY (CG)

SYMBOL LEGEND	Ⓞ = MINUS DRAFT	Ⓢ = PLUS DRAFT	Ⓢ = ADDITIONAL CONTROL REQ'D	Ⓢ = BRINELL HARDNESS	Drawings to conform to the current revision of the following ANSI standards: Y14.3 Multi and sectional view dgs. Y14.5M Dimensioning and tolerancing
----------------------	-----------------	----------------	------------------------------	----------------------	--

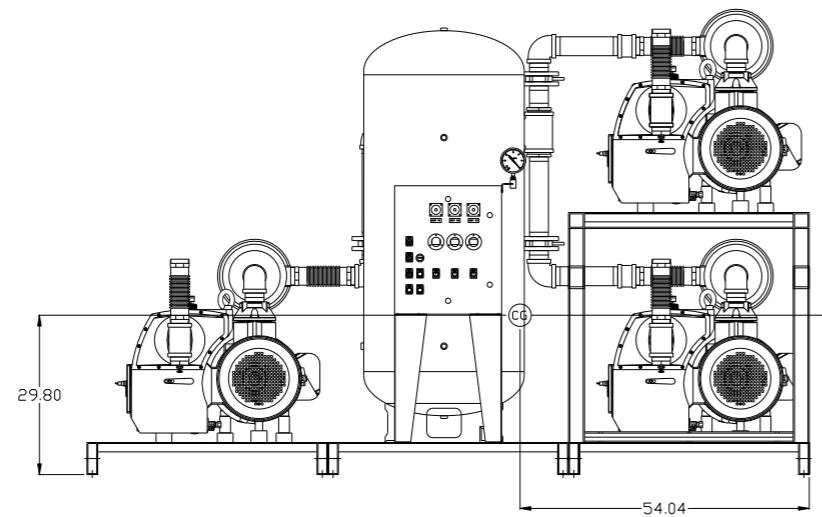
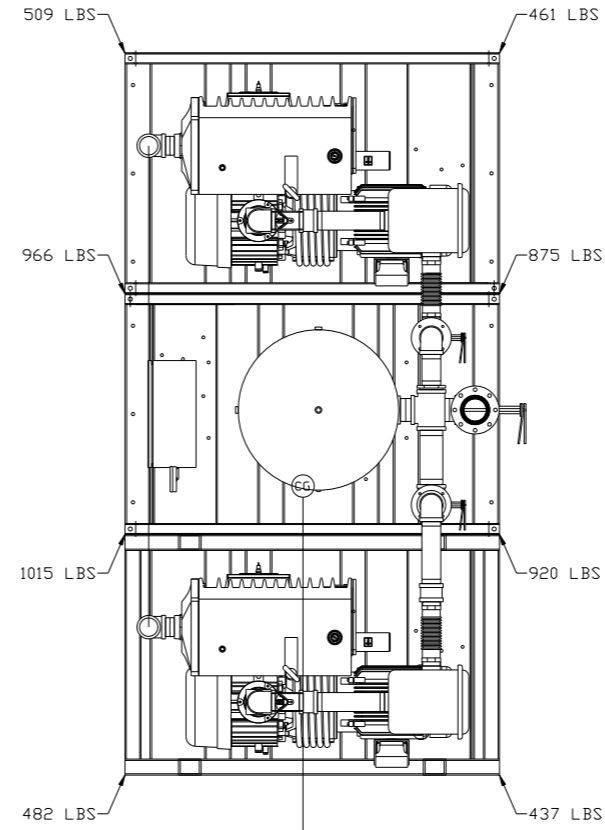
TOLERANCES NOT SPECIFIED	AUTOCAD REL2008 LT	DO NOT SCALE DRAWING FOR DIMENSIONS
.XX ± .XXX ± ∠(DEG) ±	INCH	Sheet 3 of 4
		SCALE 1: 18

CONFIDENTIAL DISCLOSURE This drawing is the property of POWEREX, INC. of the SCOTT FEITZER COMPANY and subject to return on demand. Its contents are confidential and must not be copied or submitted to outside parties for use or examination.	DRAWN BY	CHECKED BY	APPROVED BY	DATE
	AEK	GES	KMD RJR	7/10/15

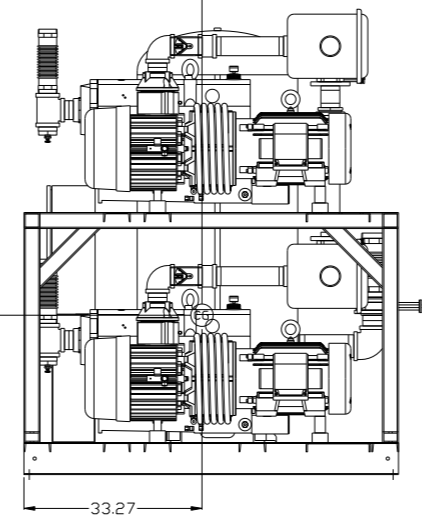
MATERIAL	N/A	 150 PRODUCTION DRIVE, HARRISON, OHIO 45030 Ph: 888-769-7979 FAX: (513) 367-3125
PART NAME	15HP LAB VACUUM 200GAL TRIPLEX	
DWG NO	LVPT1505	SIZE D

8 7 6 5 4 3 2 1

REV	ZONE	REVISION	DATE	ECN	NAME	CHKD
C-1	R,3 ALL	ADDED CENTER OF GRAVITY SHEETS	7/10/15	PXEC0093	AEK	GES



SYSTEM
 TOTAL WEIGHT: 5665 LBS
 C.O.G. DIMENSIONS
 X (FRONT): -54.04"
 Y (RIGHT): 33.27"
 Z (HEIGHT): 29.80"



DENOTES CENTER OF GRAVITY (CG)

SYMBOL LEGEND ⊖ = MINUS DRAFT ⊕ = PLUS DRAFT .XX ± .XXX ± << DEG > ±		= ADDITIONAL CONTROL REQ'D = BRINELL HARDNESS		Drawings to conform to the current revision of the following ANSI standards: Y14.3 Multi and sectional view dsgs. Y14.5M Dimensioning and tolerancing	
TOLERANCES NOT SPECIFIED AUTOCAD REL2008 LT INCH		DO NOT SCALE DRAWING FOR DIMENSIONS Sheet 4 of 4 SCALE 1:18		CONFIDENTIAL DISCLOSURE This drawing is the property of POWEREX, INC. of the SCOTT FETZER COMPANY and subject to return on demand. Its contents are confidential and must not be copied or submitted to outside parties for use or examination.	
DRAWN BY AEK		CHECKED BY GES		APPROVED BY ENGINEERING MFG/MRKTG KMD RJR	
MATERIAL N/A		7/10/15		7/10/15 7/10/15 7/10/15	
PART NAME 15HP LAB VACUUM 200GAL TRIPLEX		DWG NO LVPT1505		SIZE D	