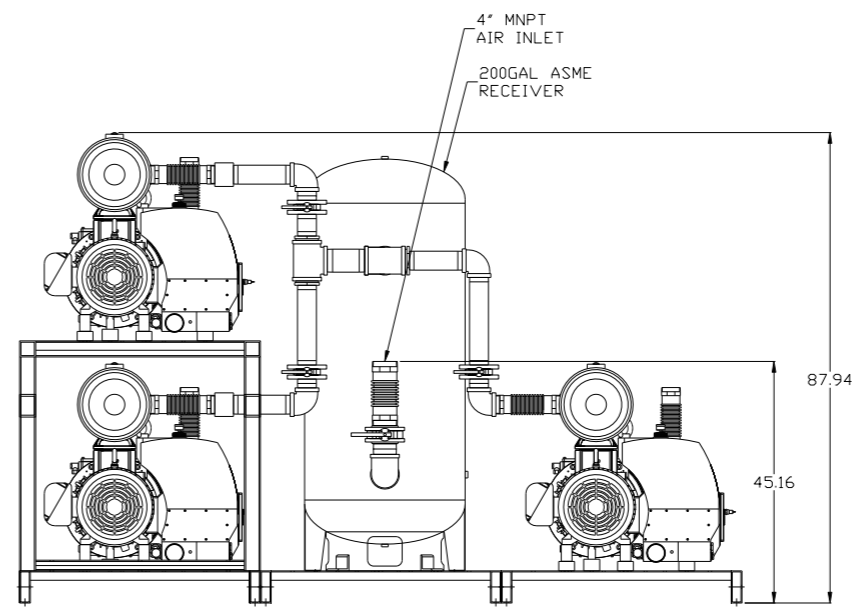
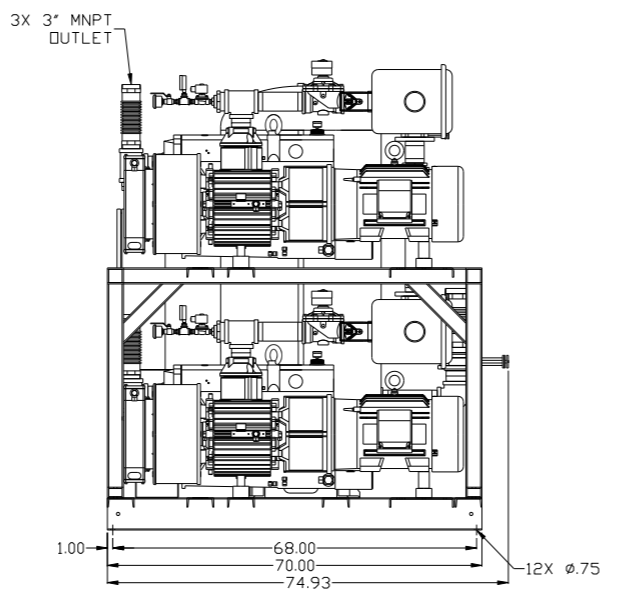
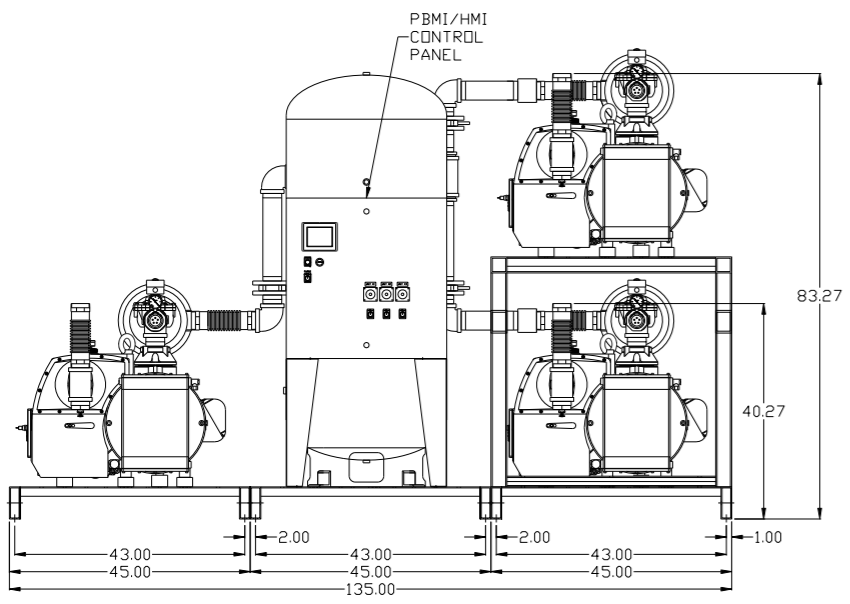
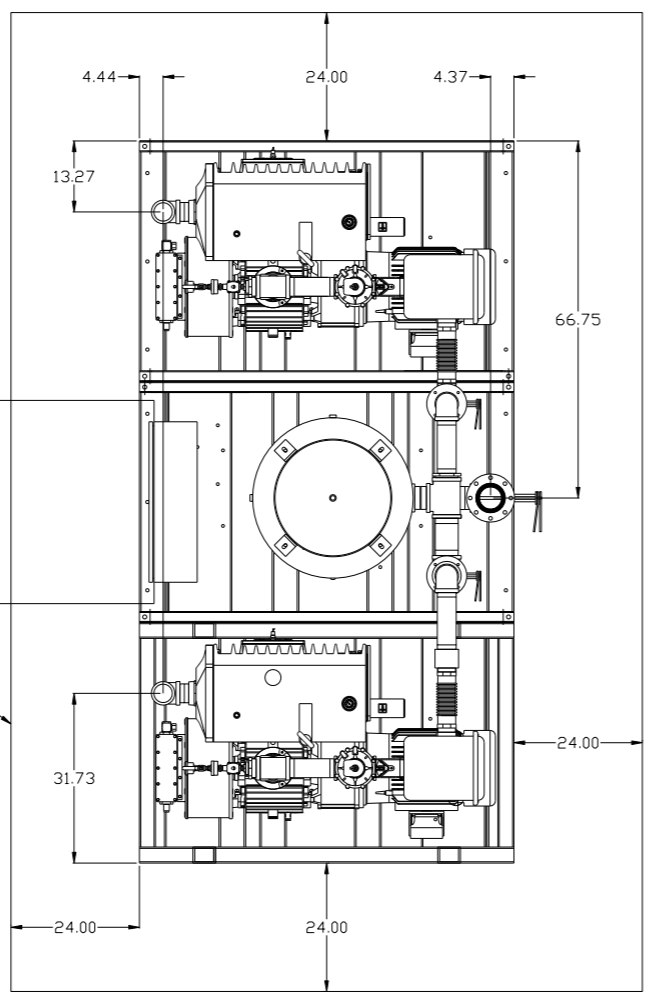


8 7 6 5 4 3 2 1

REV	ZONE	REVISION	DATE	ECN	NAME	CHKD
B-1	ALL	RELEASE TO PRODUCTION	1/2/13	PKE0003	AEK	DMS



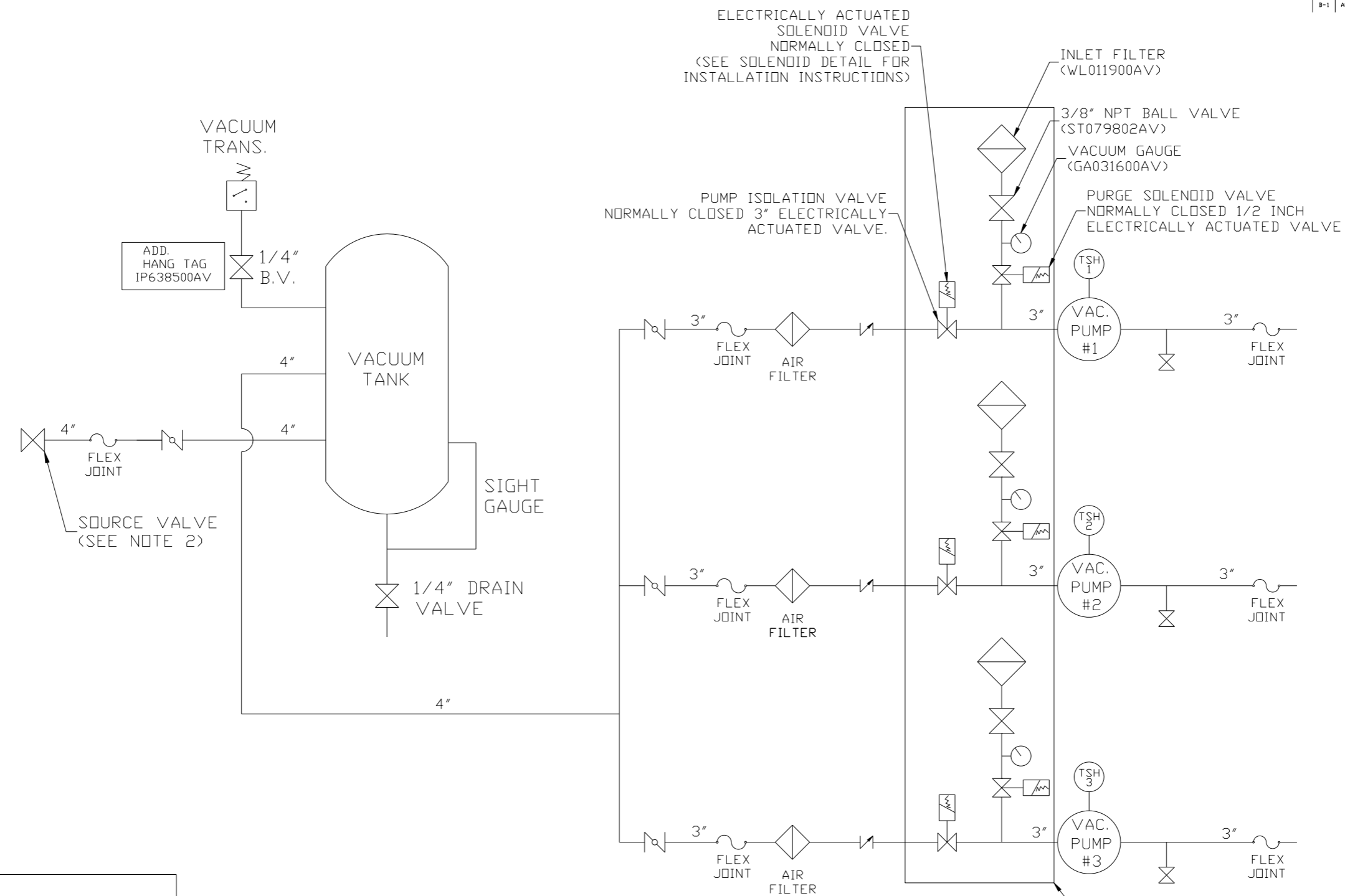
NOTE: AUTO PURGE IS OPTIONAL.

SYMBOL LEGEND ⊖ = MINUS DRAFT ⊕ = PLUS DRAFT TOLERANCES NOT SPECIFIED .XX ± .XXX ± \angle (DEG) ±		= ADDITIONAL CONTROL REQ'D = BRINELL HARDNESS		Drawings to conform to the current revision of the following ANSI standards: Y14.3 Multi- and sectional view dgs. Y14.5M Dimensioning and tolerancing
AUTOCAD REL2008 LT INCH		DO NOT SCALE DRAWING FOR DIMENSIONS Sheet 1 of 2 SCALE 1:18		
CONFIDENTIAL DISCLOSURE This drawing is the property of POWEREX, INC. of the SCOTT FEITZER COMPANY and subject to return on demand. Its contents are confidential and must not be copied or submitted to outside parties for use or examination.				
DRAWN BY AEK	CHECKED BY DMS	APPROVED BY JBC	MFG/MKTG CT	
11/15/12	1/2/13	1/2/13	1/2/13	
MATERIAL N/A		POWEREX 150 PRODUCTION DRIVE, HARRISON, OHIO 45030 Ph: 888-769-7979 FAX: (513) 367-3125		
PART NAME 20HP VACUUM 200GAL TRIPLEX		DWG NO LVPT2005	SIZE D	

8 7 6 5 4 3 2 1

LVPT2005B.dwg

REV	ZONE	REVISION	DATE	ECN	NAME	CHKD
B-1	ALL	RELEASE TO PRODUCTION	1/2/13	PKE0003	AEK	DMS



ELECTRICALLY ACTUATED SOLENOID VALVE NORMALLY CLOSED (SEE SOLENOID DETAIL FOR INSTALLATION INSTRUCTIONS)

INLET FILTER (WL011900AV)

3/8" NPT BALL VALVE (ST079802AV)

VACUUM GAUGE (GA031600AV)

PUMP ISOLATION VALVE NORMALLY CLOSED 3" ELECTRICALLY ACTUATED VALVE.

PURGE SOLENOID VALVE NORMALLY CLOSED 1/2 INCH ELECTRICALLY ACTUATED VALVE

VACUUM TRANS.

ADD. HANG TAG IP638500AV

1/4" B.V.

VACUUM TANK

SIGHT GAUGE

1/4" DRAIN VALVE

SOURCE VALVE (SEE NOTE 2)

NOTE: A 1/4 INCH VENT PLUG IS LOCATED IN THE FILTER HOUSING.

AUTO PURGE IS OPTIONAL

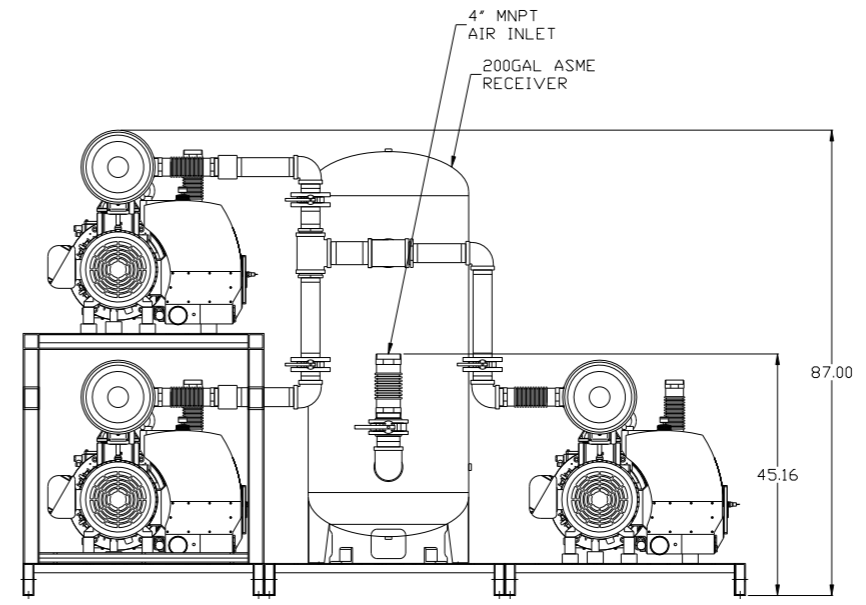
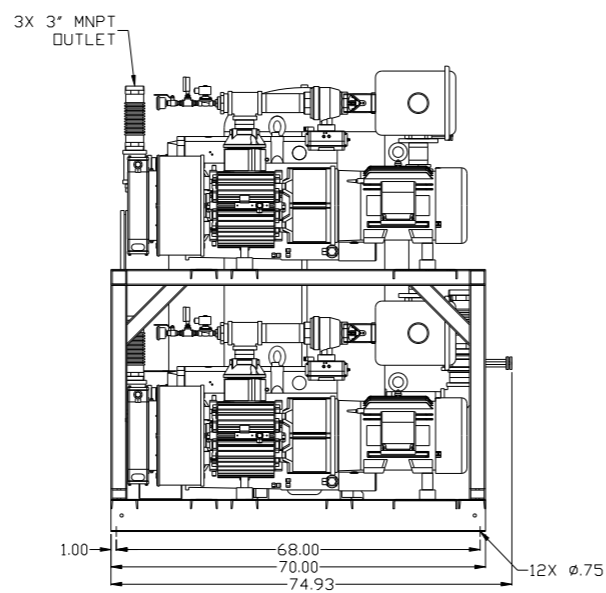
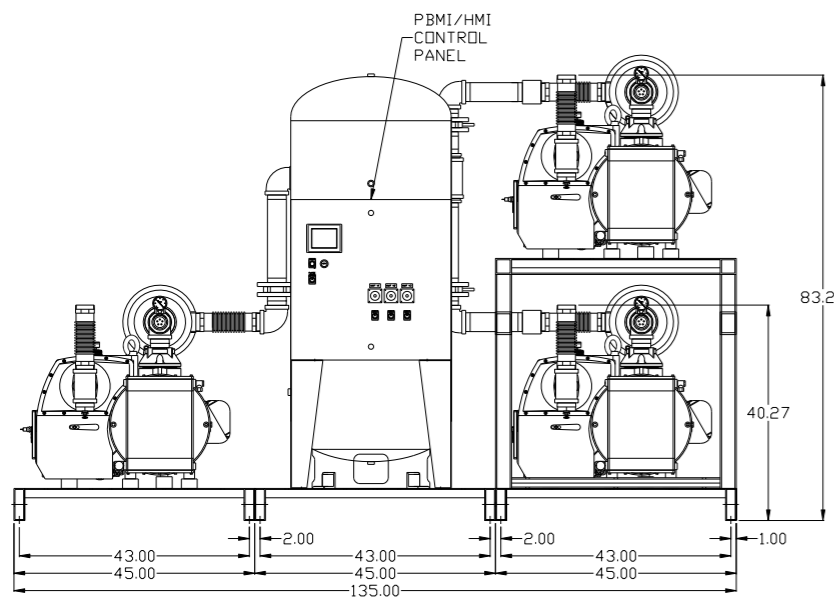
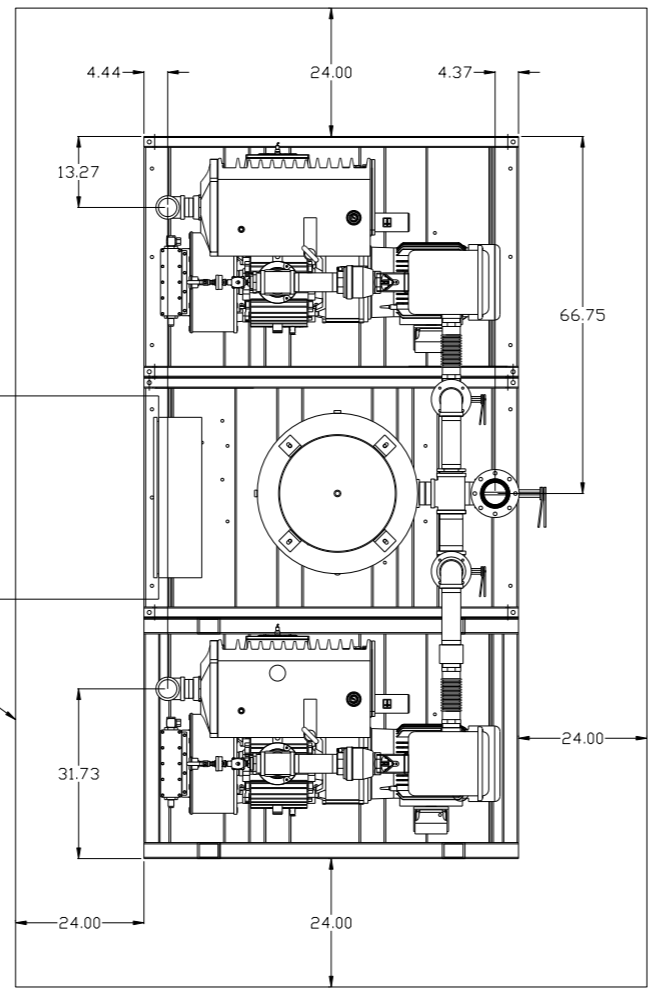
LEGEND

	TEMP. SWITCH		VACUUM SWITCH
	AIR FILTER		CHECK VALVE
	BALL VALVE		FLEX LINE
	BUTTERFLY VALVE		UNION

NOTE:
1) TSH - TEMPERATURE SWITCH HIGH
2) PER NFPA THE SYSTEM WILL REQUIRE A SOURCE VALVE (SUPPLIED BY OTHERS).

SYMBOL LEGEND			ADDITIONAL CONTROL REQ'D	Drawings to conform to the current revision of the following ANSI standards:	
	MINUS DRAFT		BRINELL HARDNESS	Y14.3 Multi and sectional view dsgs. Y14.5M Dimensioning and tolerancing	
TOLERANCES NOT SPECIFIED		AUTOCAD REL2008 LT	DO NOT SCALE DRAWING FOR DIMENSIONS		
.XX ±		INCH	Sheet 2 of 2	SCALE 1:16	
CONFIDENTIAL DISCLOSURE This drawing is the property of POWEREX, INC. of the SCOTT FETZER COMPANY and subject to return on demand. Its contents are confidential and must not be copied or submitted to outside parties for use or examination.					
DRAWN BY	CHECKED BY	APPROVED BY	MFG/MRKTG		
AEK	DMS	JBC	CT		
11/15/12	1/2/13	1/2/13	1/2/13		
MATERIAL		N/A			
PART NAME		TRIPLEX LAB VACUUM FLOW SCHEMATIC			
DWG NO		LVPT2005		SIZE D	

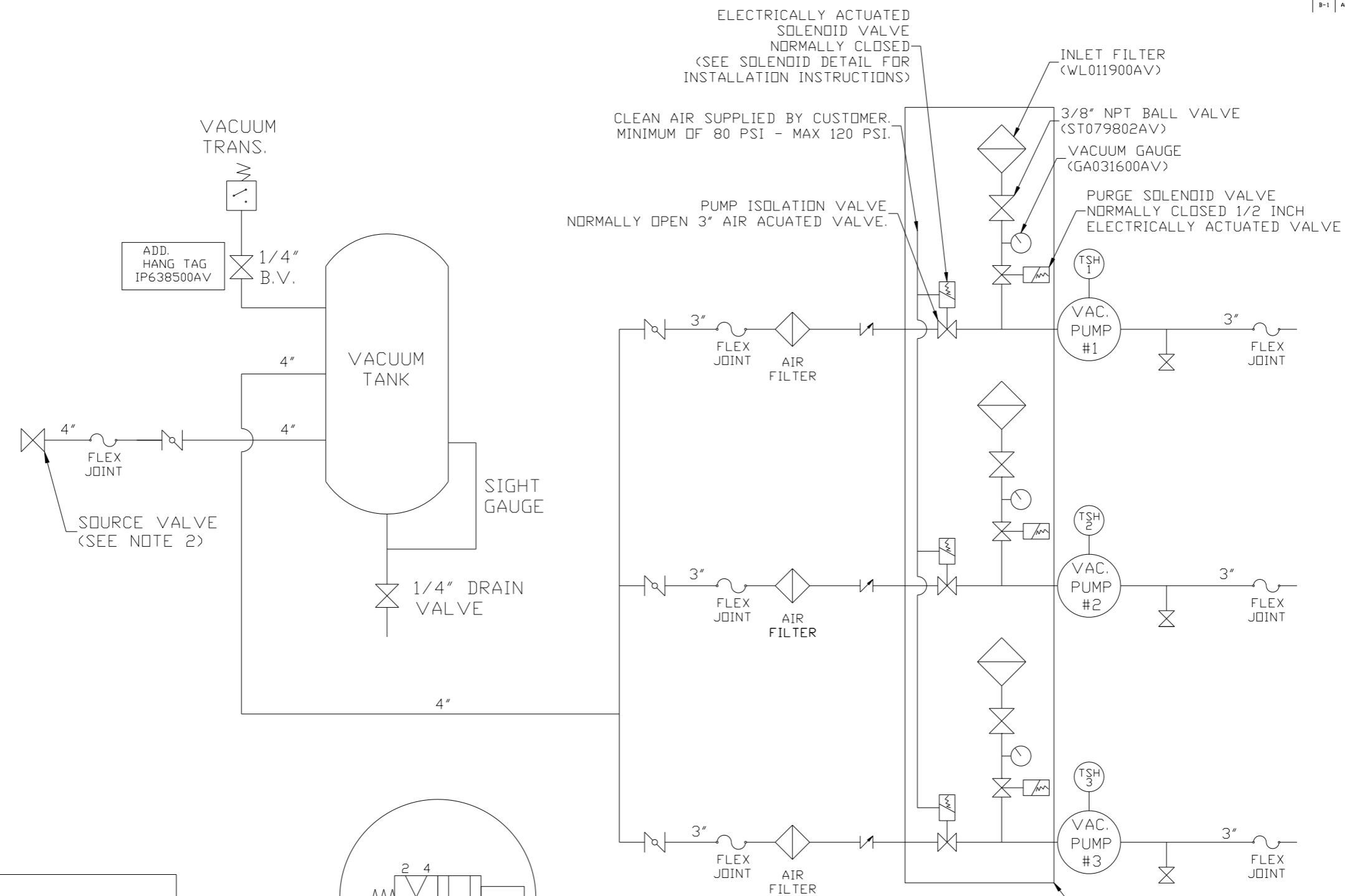
REV	ZONE	REVISION	DATE	ECN	NAME	CHKD
B-1	ALL	RELEASE TO PRODUCTION	1/2/13	PKE0003	AEK	DMS



NOTE: AUTO PURGE IS OPTIONAL.

SYMBOL LEGEND ⊖ = MINUS DRAFT ⊕ = PLUS DRAFT TOLERANCES NOT SPECIFIED .XX ± .XXX ± \angle (DEG) ±		= ADDITIONAL CONTROL REQ'D = BRINELL HARDNESS		Drawings to conform to the current revision of the following ANSI standards: Y14.3 Multi and sectional view dgs. Y14.5M Dimensioning and tolerancing
AUTOCAD REL2008 LT INCH		DO NOT SCALE DRAWING FOR DIMENSIONS Sheet 1 of 2 SCALE 1:18		
CONFIDENTIAL DISCLOSURE This drawing is the property of POWEREX, INC. of the SCOTT FEITZER COMPANY and subject to return on demand. Its contents are confidential and must not be copied or submitted to outside parties for use or examination.				
DRAWN BY AEK		CHECKED BY DMS		
APPROVED BY JBC		MFG/MKTG CT		
11/15/12		1/2/13 1/2/13 1/2/13		
MATERIAL N/A				
PART NAME 20HP VACUUM 200GAL TRIPLEX		DRAWN BY AEK CHECKED BY DMS APPROVED BY JBC MFG/MKTG CT 11/15/12 1/2/13 1/2/13 1/2/13 POWEREX 150 PRODUCTION DRIVE, HARRISON, OHIO 45030 Ph: 888-769-7979 FAX: (513) 367-3125		
DWG NO LVPT2005		SIZE D		

REV	ZONE	REVISION	DATE	ECN	NAME	CHKD
B-1	ALL	RELEASE TO PRODUCTION	1/2/13	PKC0003	AEK	DMS



ADD. HANG TAG IP638500AV

ELECTRICALLY ACTUATED SOLENOID VALVE NORMALLY CLOSED (SEE SOLENOID DETAIL FOR INSTALLATION INSTRUCTIONS)

CLEAN AIR SUPPLIED BY CUSTOMER. MINIMUM OF 80 PSI - MAX 120 PSI.

3/8" NPT BALL VALVE (ST079802AV)

VACUUM GAUGE (GA031600AV)

PURGE SOLENOID VALVE NORMALLY CLOSED 1/2 INCH ELECTRICALLY ACTUATED VALVE

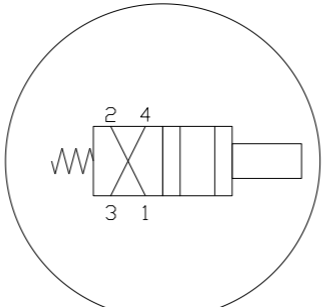
PUMP ISOLATION VALVE NORMALLY OPEN 3" AIR ACUATED VALVE.

NOTE: A 1/4 INCH VENT PLUG IS LOCATED IN THE FILTER HOUSING.

AUTO PURGE IS OPTIONAL

LEGEND

	TEMP. SWITCH		VACUUM SWITCH
	AIR FILTER		CHECK VALVE
	BALL VALVE		FLEX LINE
	UNION		



SOLENOID DETAIL:
 1) VALVE - INPUT #1
 2) MUFFLER - INPUT #2
 3) SUPPLY AIR - INPUT #4

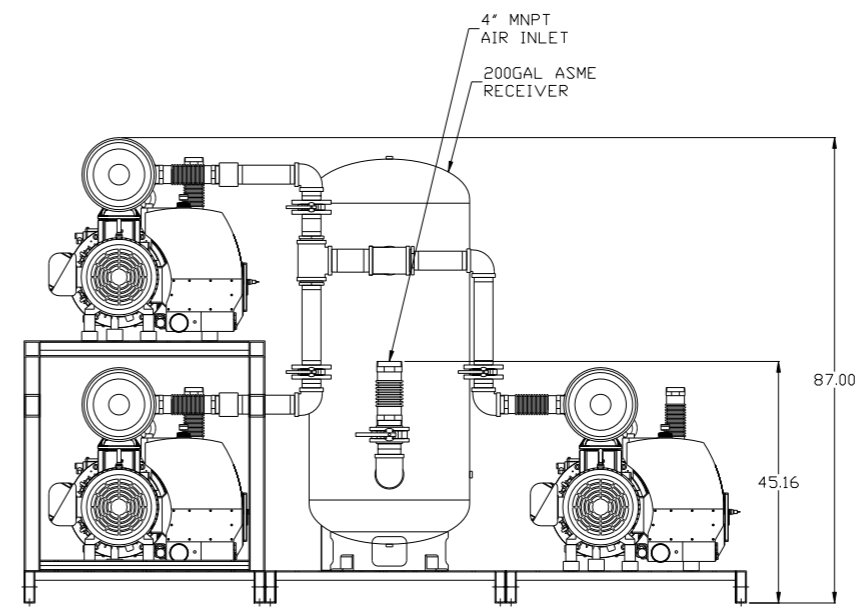
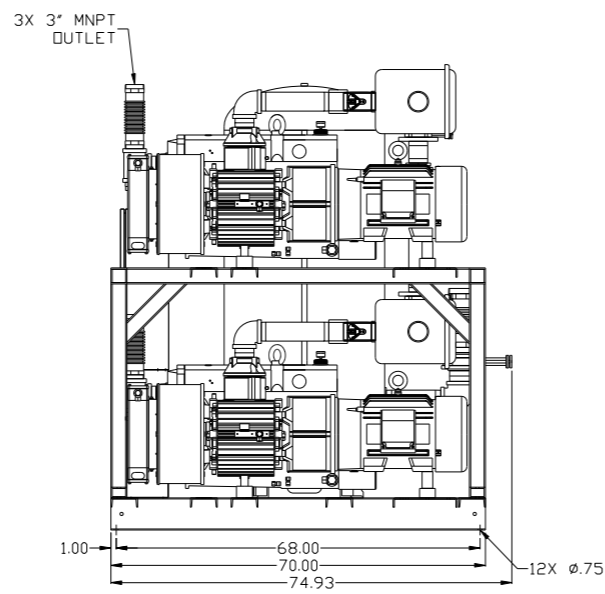
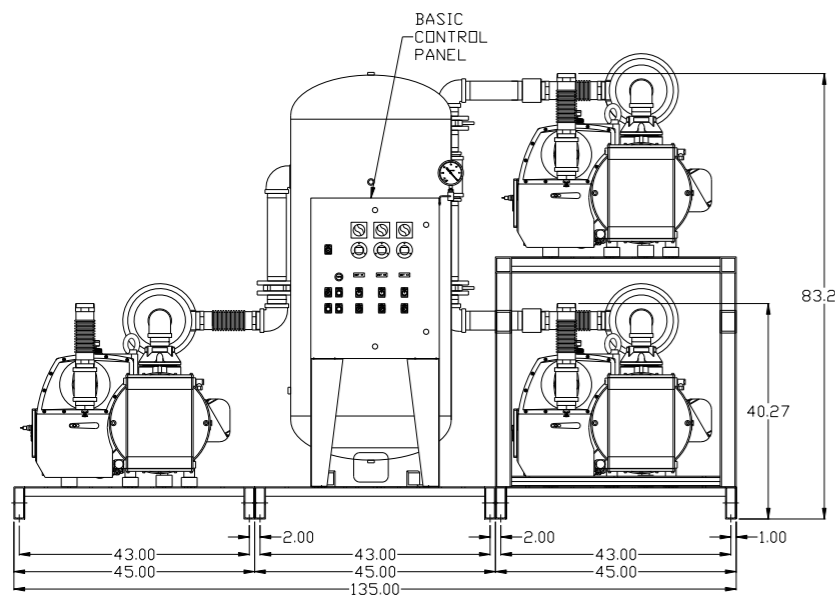
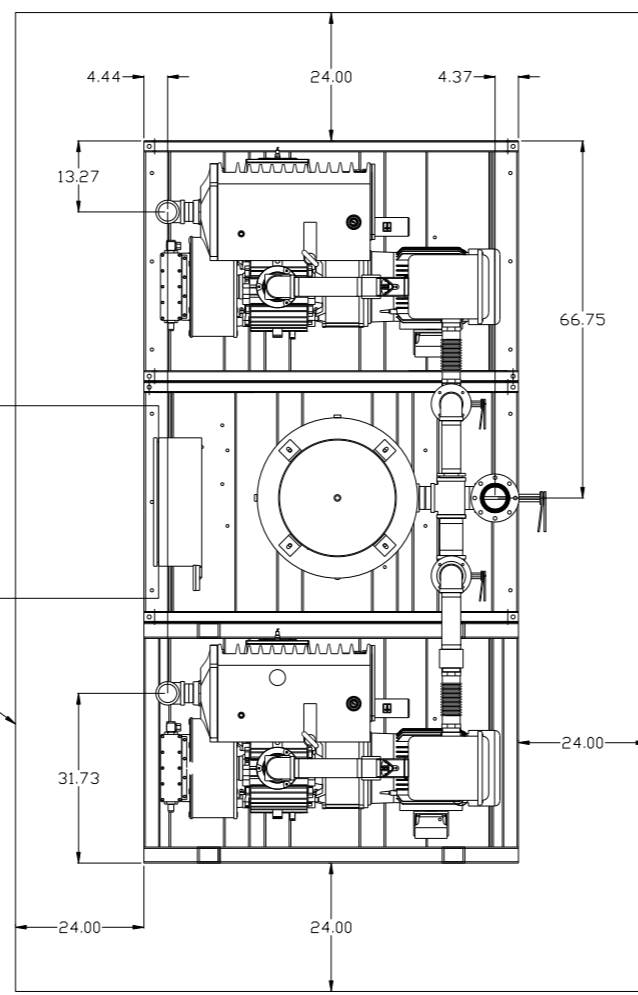
NOTE:
 1) TSH - TEMPERATURE SWITCH HIGH
 2) PER NFPA THE SYSTEM WILL REQUIRE A SOURCE VALVE (SUPPLIED BY OTHERS).

SYMBOL LEGEND			ADDITIONAL CONTROL REQ'D	Drawings to conform to the current revision of the following ANSI standards	
	MINUS DRAFT		BRINELL HARDNESS	Y14.3 Multi and sectional view dgs. Y14.5M Dimensioning and tolerancing	
TOLERANCES NOT SPECIFIED		AUTOCAD REL2008 LT		DO NOT SCALE DRAWING FOR DIMENSIONS	
.XX ±		INCH		SCALE 1:16	
.XXX ±					
<DEG> ±					
CONFIDENTIAL DISCLOSURE					
This drawing is the property of POWEREX, INC. of the SCOTT FELTZER COMPANY and subject to return on demand. Its contents are confidential and must not be copied or submitted to outside parties for use or examination.					
DRAWN BY		CHECKED BY	APPROVED BY	MFG/MKTG	
AEK		DMS	JBC	CT	
11/15/12		1/2/13	1/2/13	1/2/13	
MATERIAL		N/A			
PART NAME		TRIPLEX LAB VACUUM		150 PRODUCTION DRIVE, HARRISON, OHIO 45030 Ph 888-769-7979 FAX (513) 367-3125	
DWG NO		LVPT2005		SIZE D	
FLOW SCHEMATIC				LVP2005B.dwg	

REV	ZONE	REVISION	DATE	ECN	NAME	CHKD
B-1	ALL	RELEASE TO PRODUCTION	1/2/13	PKEC0003	AEK	DMS

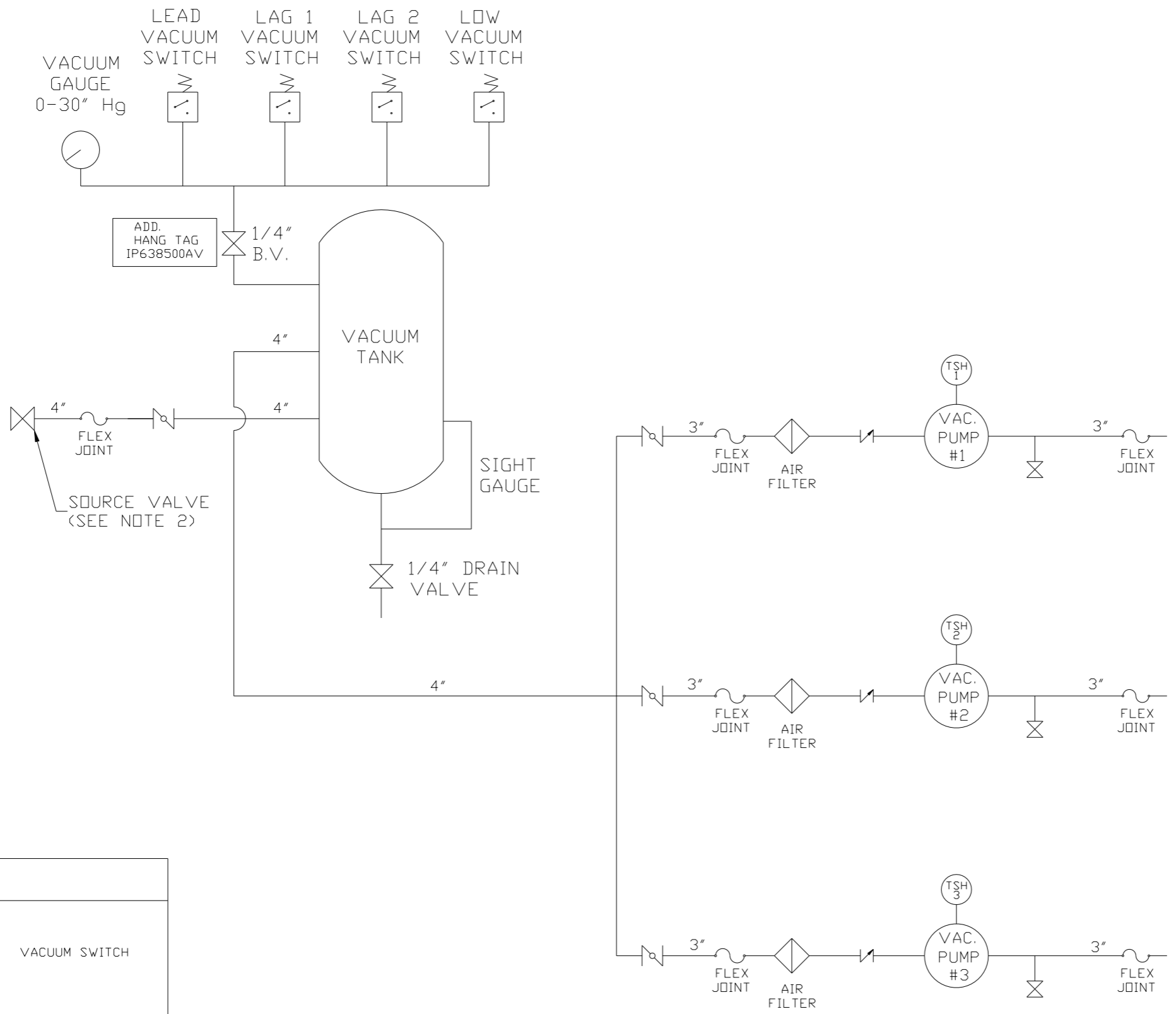
MINIMUM RECOMMENDED ELECTRICAL PANEL CLEARANCE PER OSHA/ NEC

MINIMUM RECOMMENDED MAINTENANCE CLEARANCE



SYMBOL LEGEND ⊖ = MINUS DRAFT ⊕ = PLUS DRAFT TOLERANCES NOT SPECIFIED .XX ± .XXX ± \angle (DEG) ±		= ADDITIONAL CONTROL REQ'D = BRINELL HARDNESS		Drawings to conform to the current revision of the following ANSI standards: Y14.3 Multi and sectional view dgs. Y14.5M Dimensioning and tolerancing	
AUTOCAD REL2008 LT INCH		DO NOT SCALE DRAWING FOR DIMENSIONS Sheet 1 of 2 SCALE 1:18		CONFIDENTIAL DISCLOSURE This drawing is the property of POWEREX, INC. of the SCOTT FEITZER COMPANY and subject to return on demand. Its contents are confidential and must not be copied or submitted to outside parties for use or examination.	
DRAWN BY AEK		CHECKED BY DMS		APPROVED BY JBC CT	
MATERIAL N/A		DATE 11/15/12		DATE 1/2/13	
PART NAME 20HP VACUUM 200GAL TRIPLEX		DWG NO LVPT2005		SIZE D	

REV	ZONE	REVISION	DATE	ECN	NAME	CHKD
B-1	ALL	RELEASE TO PRODUCTION	1/2/13	PKE0003	AEK	DMS



LEGEND

	TEMP. SWITCH		VACUUM SWITCH
	AIR FILTER		CHECK VALVE
	BALL VALVE		FLEX LINE
	BUTTERFLY VALVE		UNION

NOTE:
 1) TSH - TEMPERATURE SWITCH HIGH
 2) PER NFPA THE SYSTEM WILL REQUIRE A SOURCE VALVE (SUPPLIED BY OTHERS).

NOTE:
 A 1/4 INCH VENT PLUG IS LOCATED IN THE FILTER HOUSING.

SYMBOL LEGEND			= ADDITIONAL CONTROL REQ'D		Drawings to conform to the current revision of the following ANSI standards:	
⊖ = MINUS DRAFT			= BRINELL HARDNESS		Y14.3 Multi and sectional view dsgs. Y14.5M Dimensioning and tolerancing	
⊕ = PLUS DRAFT				DO NOT SCALE DRAWING FOR DIMENSIONS		
TOLERANCES NOT SPECIFIED		AUTOCAD REL2008 LT	INCH		Sheet 2 of 2	
.XX ±				SCALE		1:16
.XXX ±						
<<DEG> ±						
CONFIDENTIAL DISCLOSURE						
This drawing is the property of POWEREX, INC. of the SCOTT FETZER COMPANY and subject to return on demand. Its contents are confidential and must not be copied or submitted to outside parties for use or examination.						
DRAWN BY		CHECKED BY	APPROVED BY	MFG/MKTG		
AEK		DMS	JBC	CT		
11/15/12		1/2/13	1/2/13	1/2/13		
MATERIAL		N/A				
PART NAME		TRIPLEX LAB VACUUM		150 PRODUCTION DRIVE, HARRISON, OHIO 45030 Ph: 888-769-7979 FAX: (513) 367-3125		
FLOW SCHEMATIC		LVPT2005		SIZE D		