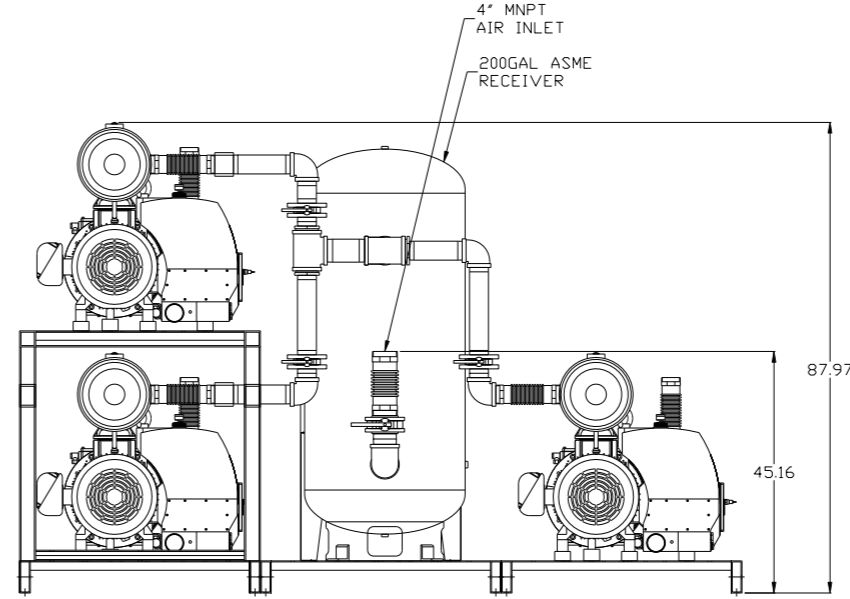
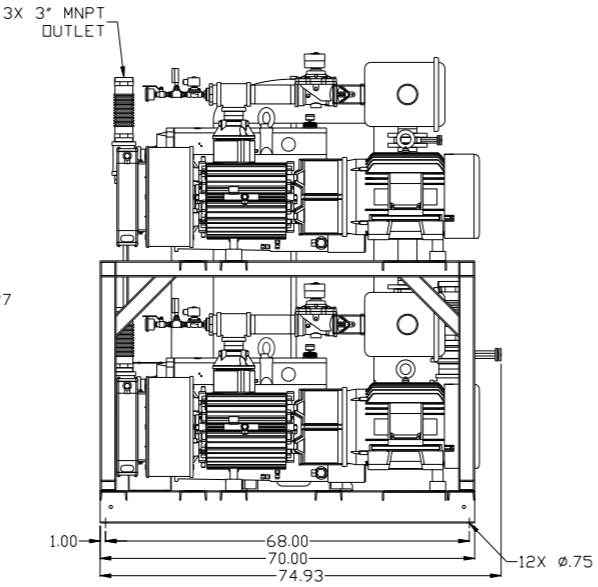
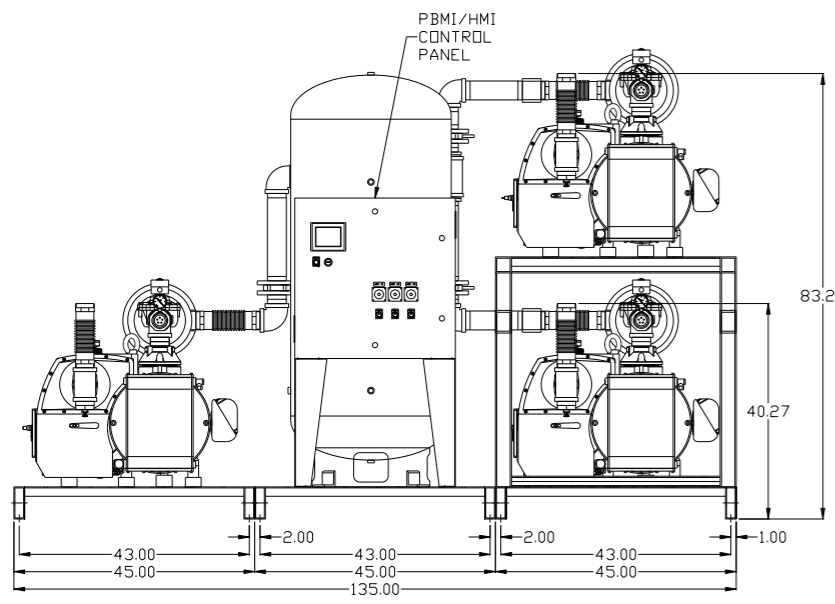
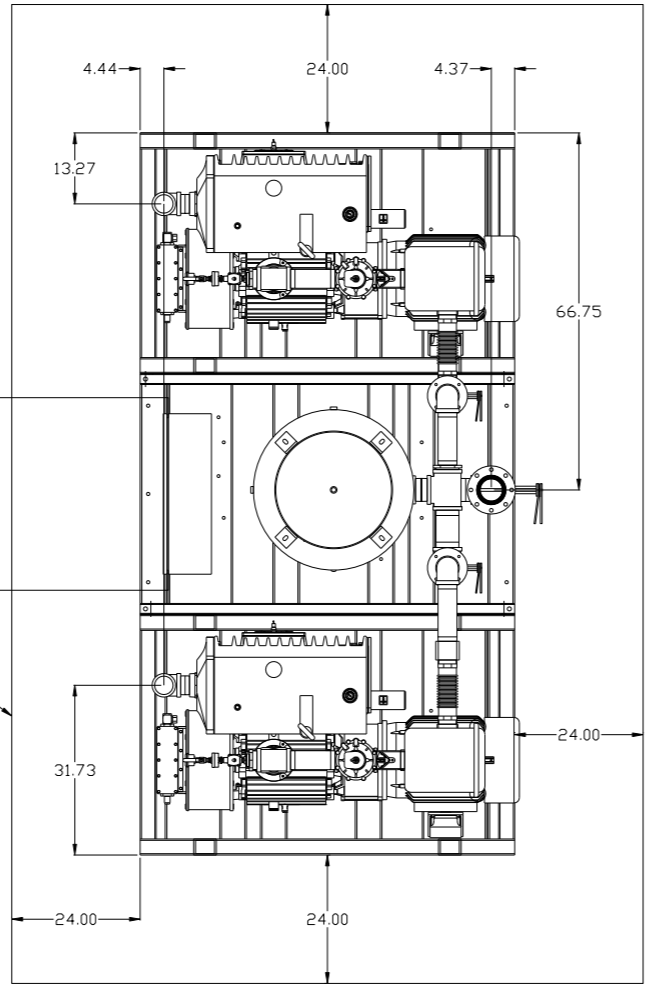


REV	ZONE	REVISION	DATE	ECN	NAME	CHKD
B-1	ALL	RELEASE TO PRODUCTION	1/2/13	PKEC0003	AEK	DMS

MINIMUM RECOMMENDED ELECTRICAL PANEL CLEARANCE PER OSHA/ NEC

MINIMUM RECOMMENDED MAINTENANCE CLEARANCE



NOTE: AUTO PURGE IS OPTIONAL.

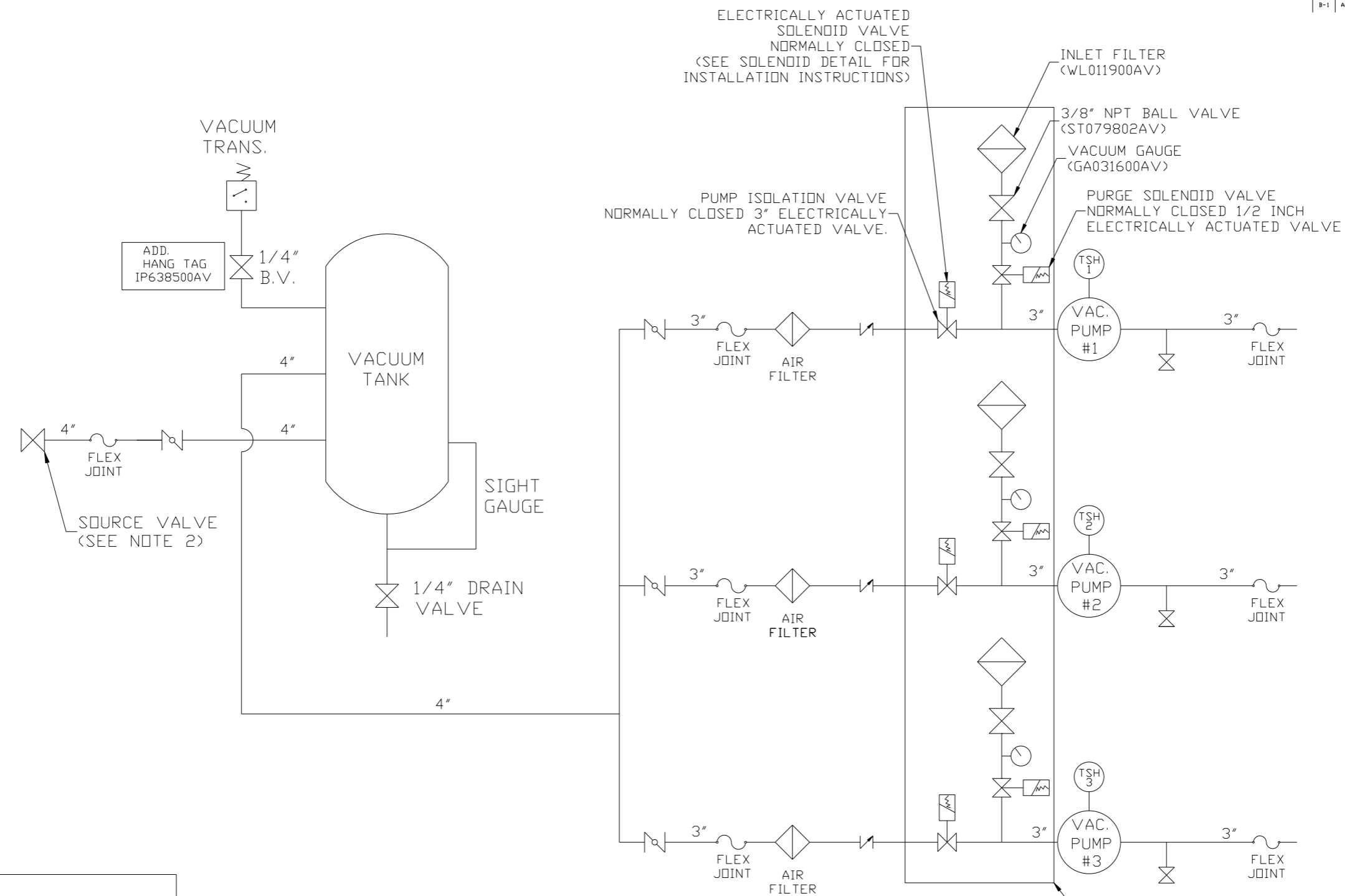
<p>SYMBOL LEGEND</p> <p>⊖ = MINUS DRAFT</p> <p>⊕ = PLUS DRAFT</p> <p>.XX ±</p> <p>.XXX ±</p> <p><< DEG >> ±</p>	<p>⊕ = ADDITIONAL CONTROL REQ'D</p> <p>⊖ = BRINELL HARDNESS</p>	<p>Drawings to conform to the current revision of the following ANSI standards:</p> <p>Y14.3 Multi and sectional view dgs.</p> <p>Y14.5M Dimensioning and tolerancing</p>
--	---	---

TOLERANCES NOT SPECIFIED	AUTOCAD REL2008 LT	DO NOT SCALE DRAWING FOR DIMENSIONS
	INCH	SCALE 1:18

<p>CONFIDENTIAL DISCLOSURE</p> <p>This drawing is the property of POWEREX, INC. of the SCOTT FEITZER COMPANY and subject to return on demand. Its contents are confidential and must not be copied or submitted to outside parties for use or examination.</p>			
DRAWN BY	CHECKED BY	APPROVED BY	
AEK	DMS	JBC	CT
11/16/12	1/2/13	1/2/13	1/2/13

MATERIAL	N/A	<p>150 PRODUCTION DRIVE, HARRISON, OHIO 45030</p> <p>Ph 888-769-7979 FAX (513) 367-3125</p>
PART NAME	25HP VACUUM 200GAL TRIPLEX	
DWG NO	LVPT2505	SIZE D

REV	ZONE	REVISION	DATE	ECN	NAME	CHKD
B-1	ALL	RELEASE TO PRODUCTION	1/2/13	PKC0003	AEK	DMS



VACUUM TRANS.
 1/4" B.V.
 ADD. HANG TAG IP638500AV

PUMP ISOLATION VALVE
 NORMALLY CLOSED 3" ELECTRICALLY ACTUATED VALVE.

INLET FILTER (WL011900AV)

3/8" NPT BALL VALVE (ST079802AV)

VACUUM GAUGE (GA031600AV)

PURGE SOLENOID VALVE
 NORMALLY CLOSED 1/2 INCH ELECTRICALLY ACTUATED VALVE

4" FLEX JOINT
 SOURCE VALVE (SEE NOTE 2)

VACUUM TANK
 SIGHT GAUGE
 1/4" DRAIN VALVE

NOTE:
 A 1/4 INCH VENT PLUG IS LOCATED IN THE FILTER HOUSING.

AUTO PURGE IS OPTIONAL

LEGEND

	TEMP. SWITCH		VACUUM SWITCH
	AIR FILTER		CHECK VALVE
	BALL VALVE		FLEX LINE
	BUTTERFLY VALVE		UNION

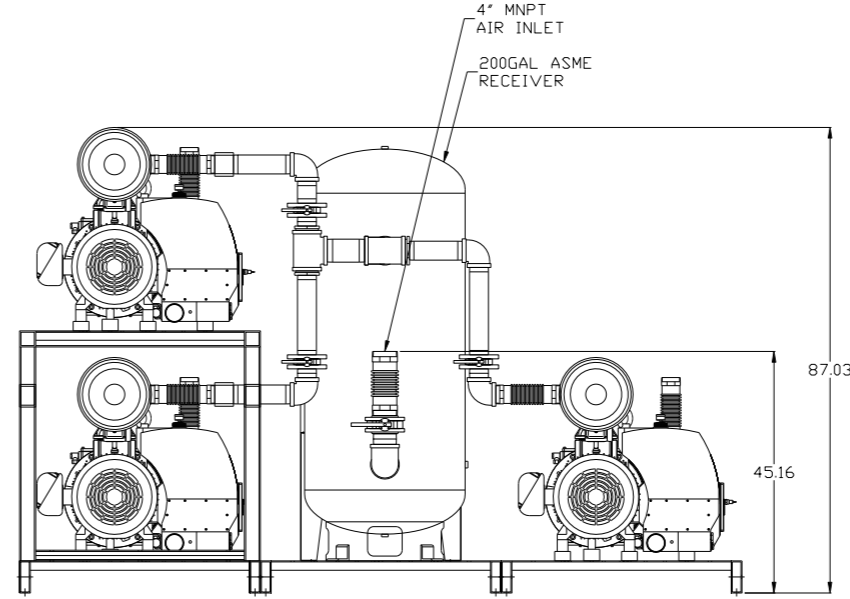
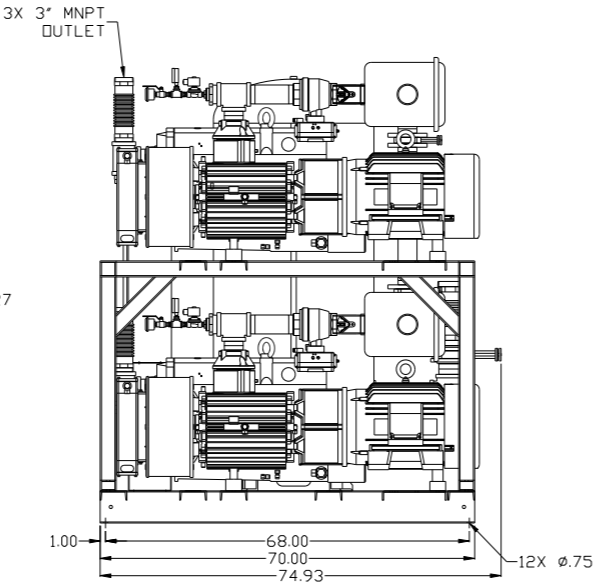
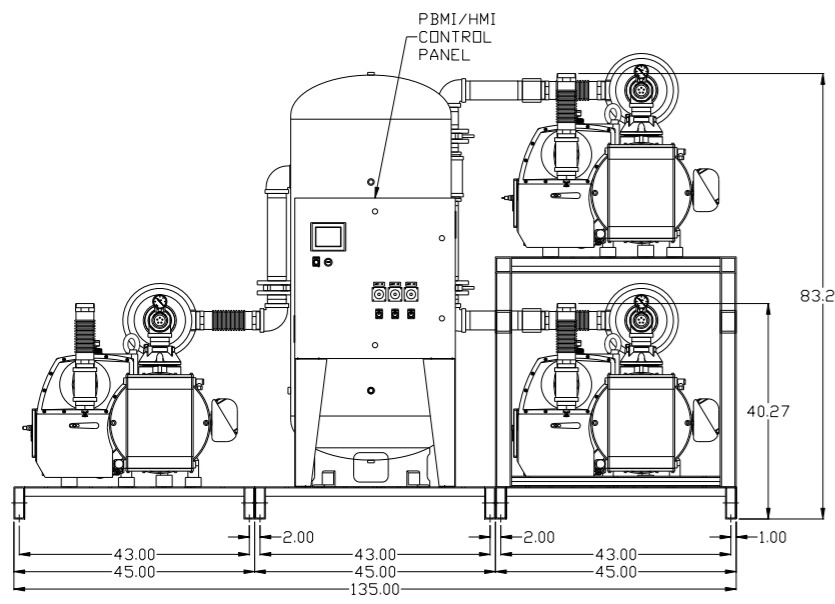
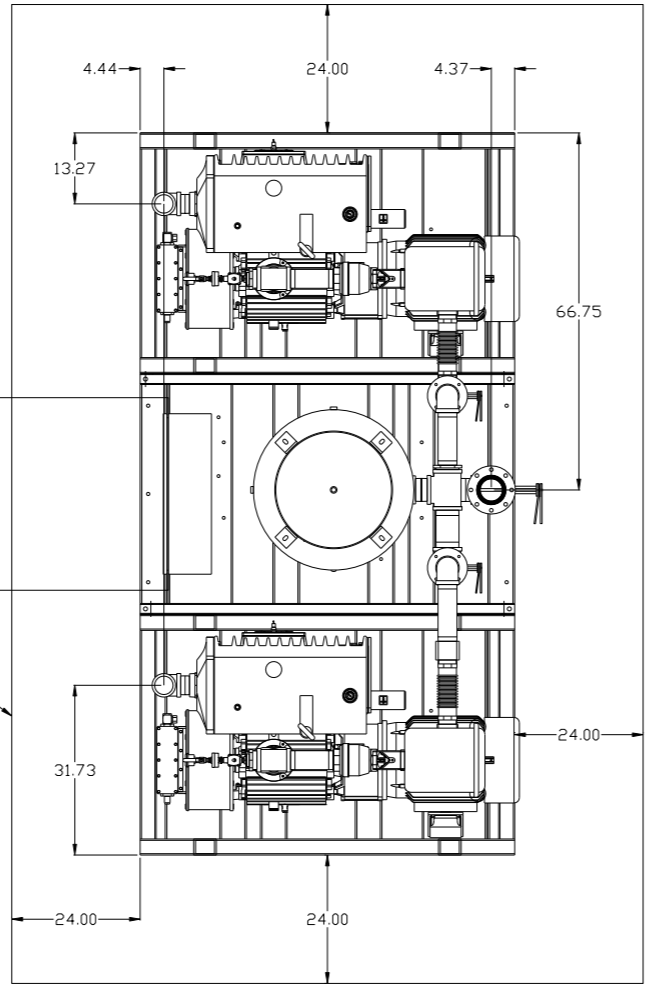
NOTE:
 1) TSH - TEMPERATURE SWITCH HIGH
 2) PER NFPA THE SYSTEM WILL REQUIRE A SOURCE VALVE (SUPPLIED BY OTHERS).

SYMBOL LEGEND ⊖ = MINUS DRAFT ⊕ = PLUS DRAFT ⊕ = BRINELL HARDNESS		= ADDITIONAL CONTROL REQ'D = BRINELL HARDNESS		Drawings to conform to the current revision of the following ANSI standards: Y14.3 Multi and sectional view dgs. Y14.5M Dimensioning and tolerancing	
TOLERANCES NOT SPECIFIED .XX ± .XXX ± <DEG> ±		AUTOCAD REL2008 LT INCH		DO NOT SCALE DRAWING FOR DIMENSIONS Sheet 2 of 2 SCALE 1:16	
CONFIDENTIAL DISCLOSURE This drawing is the property of POWEREX, INC. of the SCOTT FELTZER COMPANY and subject to return on demand. Its contents are confidential and must not be copied or submitted to outside parties for use or examination.					
DRAWN BY AEK		CHECKED BY DMS		APPROVED BY JBC CT	
MATERIAL N/A		DATE 11/16/12		DATE 1/2/13	
PART NAME TRIPLEX LAB VACUUM FLOW SCHEMATIC		 150 PRODUCTION DRIVE, HARRISON, OHIO 45030 Ph 888-769-7979 FAX (513) 367-3125		SIZE LVPT2505 D	

REV	ZONE	REVISION	DATE	ECN	NAME	CHKD
B-1	ALL	RELEASE TO PRODUCTION	1/2/13	PKEC0003	AEK	DMS

MINIMUM RECOMMENDED ELECTRICAL PANEL CLEARANCE PER OSHA/ NEC

MINIMUM RECOMMENDED MAINTENANCE CLEARANCE



NOTE: AUTO PURGE IS OPTIONAL.

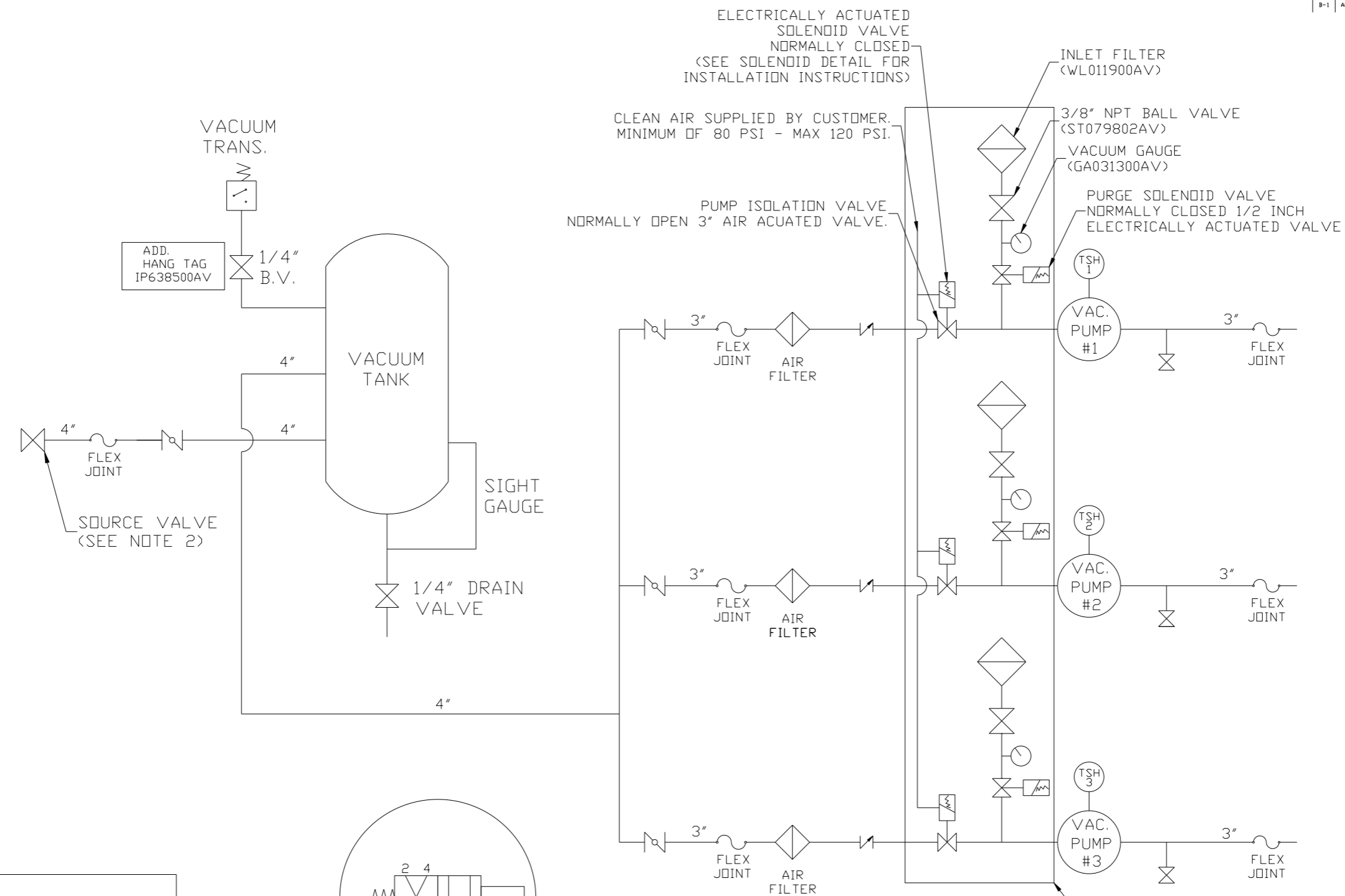
SYMBOL LEGEND ⊖ = MINUS DRAFT ⊕ = PLUS DRAFT TOLERANCES NOT SPECIFIED .XX ± .XXX ± \angle (DEG) ±	= ADDITIONAL CONTROL REQ'D = BRINELL HARDNESS	Drawings to conform to the current revision of the following ANSI standards: Y14.3 Multi and sectional view dgs. Y14.5M Dimensioning and tolerancing
---	--	--

AUTOCAD REL2008 LT	DO NOT SCALE DRAWING FOR DIMENSIONS
INCH	SCALE 1:18

CONFIDENTIAL DISCLOSURE This drawing is the property of POWEREX, INC. of the SCOTT FELTZER COMPANY and subject to return on demand. Its contents are confidential and must not be copied or submitted to outside parties for use or examination.			
DRAWN BY	CHECKED BY	APPROVED BY	DATE
AEK	DMS	JBC	CT
11/16/12	1/2/13	1/2/13	1/2/13

MATERIAL	N/A	 150 PRODUCTION DRIVE, HARRISON, OHIO 45030 Ph: 888-769-7979 FAX: (513) 367-3125
PART NAME	25HP VACUUM 200GAL TRIPLEX	
DWG NO	LVPT2505	SIZE D

REV	ZONE	REVISION	DATE	ECN	NAME	CHKD
B-1	ALL	RELEASE TO PRODUCTION	1/2/13	PKC0003	AEK	DMS



ADD.
HANG TAG
IP638500AV

VACUUM
TRANS.

1/4"
B.V.

VACUUM
TANK

SIGHT
GAUGE

1/4" DRAIN
VALVE

CLEAN AIR SUPPLIED BY CUSTOMER.
MINIMUM OF 80 PSI - MAX 120 PSI.

PUMP ISOLATION VALVE
NORMALLY OPEN 3" AIR ACUATED VALVE.

ELECTRICALLY ACTUATED
SOLENOID VALVE
NORMALLY CLOSED
(SEE SOLENOID DETAIL FOR
INSTALLATION INSTRUCTIONS)

INLET FILTER
(WL011900AV)

3/8" NPT BALL VALVE
(ST079802AV)

VACUUM GAUGE
(GA031300AV)

PURGE SOLENOID VALVE
NORMALLY CLOSED 1/2 INCH
ELECTRICALLY ACTUATED VALVE

(TSH
1)

VAC.
PUMP
#1

(TSH
2)

VAC.
PUMP
#2

(TSH
3)

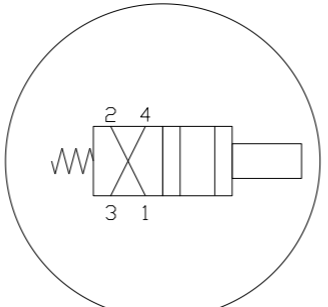
VAC.
PUMP
#3

NOTE:
A 1/4 INCH VENT PLUG IS
LOCATED IN THE FILTER HOUSING.

AUTO PURGE
IS OPTIONAL

LEGEND

	TEMP. SWITCH		VACUUM SWITCH
	AIR FILTER		CHECK VALVE
	BALL VALVE		FLEX LINE
	BUTTERFLY VALVE		UNION



SOLENOID DETAIL:
1) VALVE - INPUT #1
2) MUFFLER - INPUT #2
3) SUPPLY AIR - INPUT #4

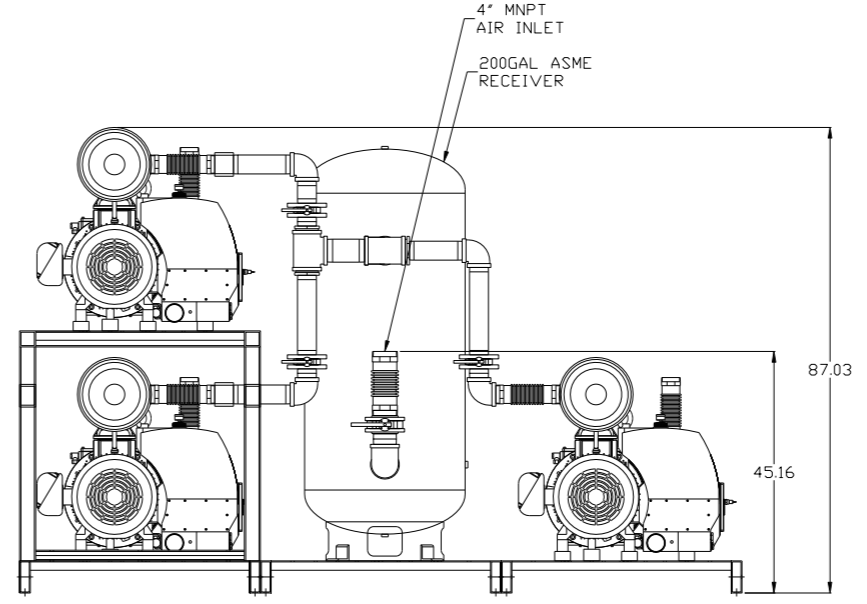
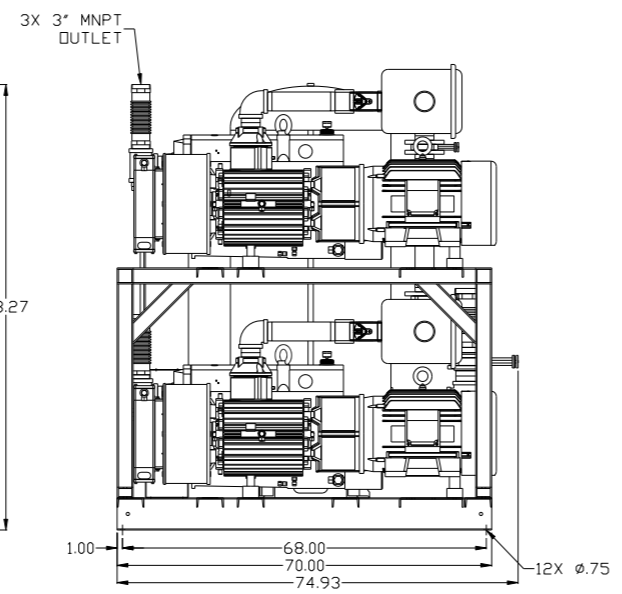
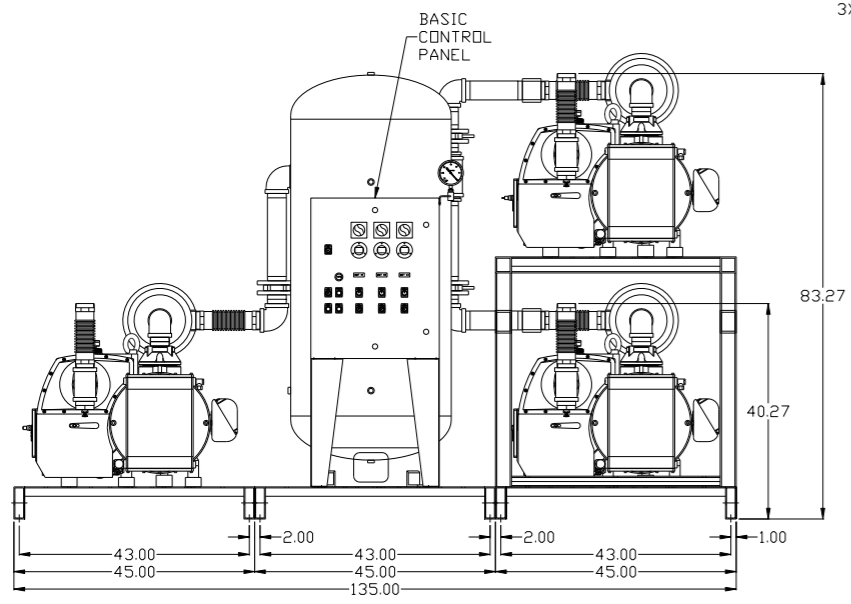
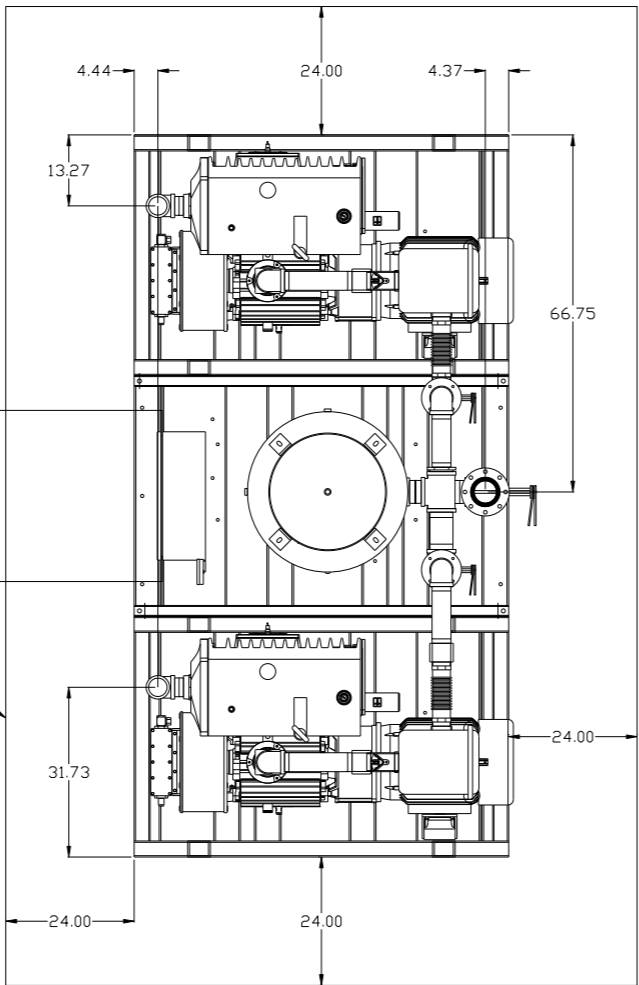
NOTE:
1) TSH - TEMPERATURE SWITCH HIGH
2) PER NFPA THE SYSTEM WILL REQUIRE A SOURCE VALVE (SUPPLIED BY OTHERS).

SYMBOL LEGEND			ADDITIONAL CONTROL REQ'D	Drawings to conform to the current revision of the following ANSI standards
	MINUS DRAFT		BRINELL HARDNESS	Y14.3 Multi and sectional view dgs. Y14.5M Dimensioning and tolerancing
TOLERANCES NOT SPECIFIED		AUTOCAD REL2008 LT		DO NOT SCALE DRAWING FOR DIMENSIONS
.XX ±		INCH		SCALE 1:16
.XXX ±				
<DEG> ±				
CONFIDENTIAL DISCLOSURE This drawing is the property of POWEREX, INC. of the SCOTT FETZER COMPANY and subject to return on demand. Its contents are confidential and must not be copied or submitted to outside parties for use or examination.				
DRAWN BY		CHECKED BY	APPROVED BY	MFG/MKTG
AEK		DMS	JBC	CT
11/16/12		1/2/13	1/2/13	1/2/13
MATERIAL		N/A		
PART NAME		TRIPLEX LAB VACUUM FLOW SCHEMATIC		
DWG NO		LVPT2505		SIZE D

REV	ZONE	REVISION	DATE	ECN	NAME	CHKD
B-1	ALL	RELEASE TO PRODUCTION	1/2/13	PKEC0003	AEK	DMS

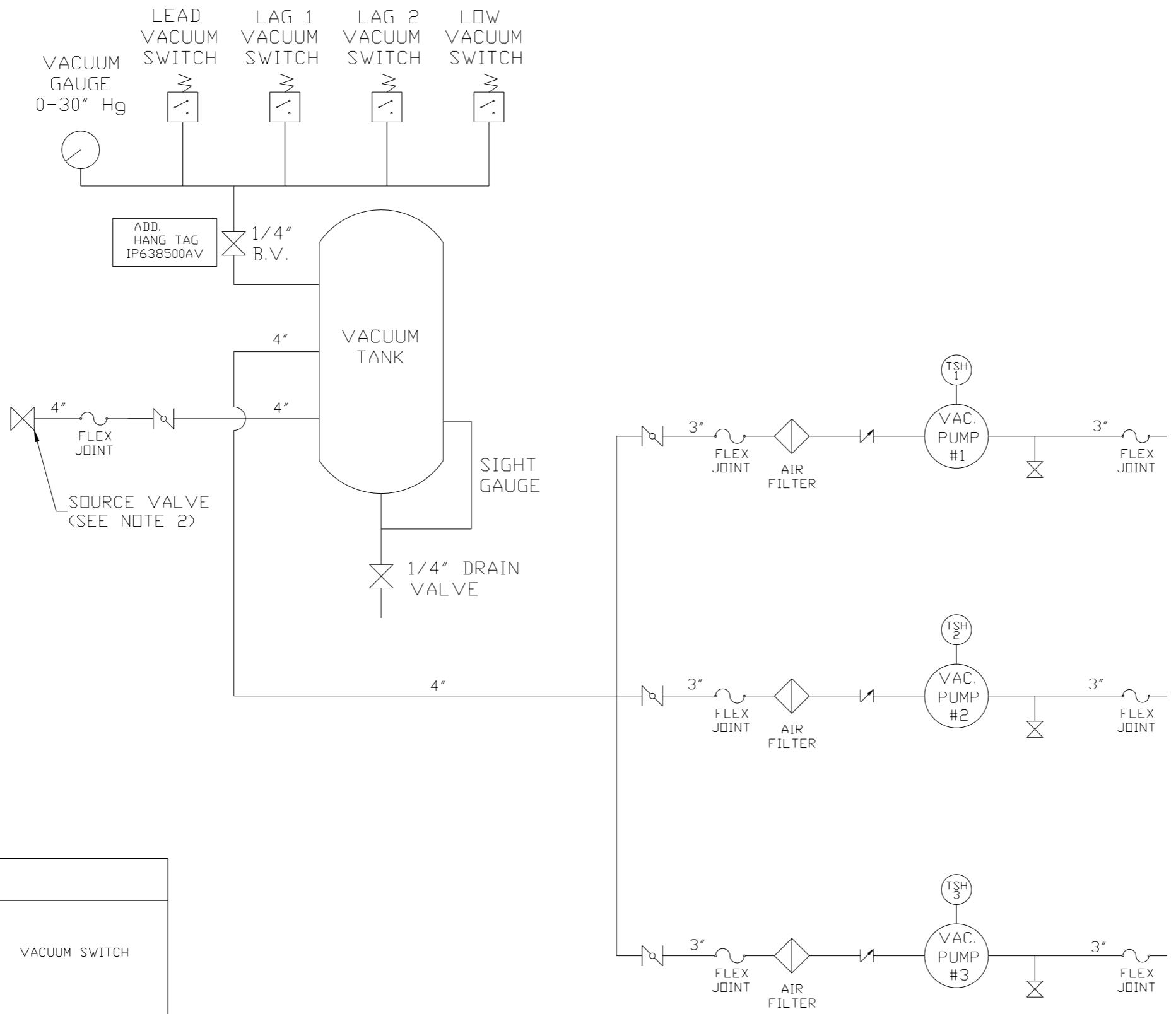
MINIMUM RECOMMENDED ELECTRICAL PANEL CLEARANCE PER OSHA/ NEC

MINIMUM RECOMMENDED MAINTENANCE CLEARANCE



SYMBOL LEGEND ⊖ = MINUS DRAFT ⊕ = PLUS DRAFT .XX ± .XXX ± << DEG >> ±		= ADDITIONAL CONTROL REQ'D = BRINELL HARDNESS		Drawings to conform to the current revision of the following ANSI standards: Y14.3 Multi and sectional view dgs. Y14.5M Dimensioning and tolerancing	
TOLERANCES NOT SPECIFIED .XX ± .XXX ± << DEG >> ±		AUTOCAD REL2008 LT INCH		DO NOT SCALE DRAWING FOR DIMENSIONS Sheet 1 of 2 SCALE 1:18	
CONFIDENTIAL DISCLOSURE This drawing is the property of POWEREX, INC. of the SCOTT FELTZER COMPANY and subject to return on demand. Its contents are confidential and must not be copied or submitted to outside parties for use or examination.					
DRAWN BY AEK		CHECKED BY DMS		APPROVED BY JBC CT	
11/16/12		1/2/13		1/2/13 1/2/13	
MATERIAL N/A		PART NAME 25HP VACUUM 200GAL TRIPLEX		DWG NO LVPT2505	
		150 PRODUCTION DRIVE, HARRISON, OHIO 45030 Ph: 888-769-7979 FAX: (513) 367-3125		SIZE D	

REV	ZONE	REVISION	DATE	ECN	NAME	CHKD
B-1	ALL	RELEASE TO PRODUCTION	1/2/13	PKE0003	AEK	DMS



LEGEND

	TEMP. SWITCH		VACUUM SWITCH
	AIR FILTER		CHECK VALVE
	BALL VALVE		FLEX LINE
	BUTTERFLY VALVE		UNION

NOTE:
 1) TSH - TEMPERATURE SWITCH HIGH
 2) PER NFPA THE SYSTEM WILL REQUIRE A SOURCE VALVE (SUPPLIED BY OTHERS).

NOTE:
 A 1/4 INCH VENT PLUG IS LOCATED IN THE FILTER HOUSING.

SYMBOL LEGEND			= ADDITIONAL CONTROL REQ'D		Drawings to conform to the current revision of the following ANSI standards:	
⊖ = MINUS DRAFT			= BRINELL HARDNESS		Y14.3 Multi and sectional view dgs. Y14.5M Dimensioning and tolerancing	
⊕ = PLUS DRAFT				TOLERANCES NOT SPECIFIED		DO NOT SCALE DRAWING FOR DIMENSIONS
.XX ±		AUTOCAD REL2008 LT		Sheet 2 of 2		SCALE 1:16
.XXX ±				CONFIDENTIAL DISCLOSURE		
<DEG> ±				This drawing is the property of POWEREX, INC. of the SCOTT FETZER COMPANY and subject to return on demand. Its contents are confidential and must not be copied or submitted to outside parties for use or examination.		
MATERIAL		N/A		DRAWN BY		CHECKED BY
PART NAME		TRIPLEX LAB VACUUM FLOW SCHEMATIC		AEK		DMS
DWG NO		LVPT2505		11/16/12		1/2/13
SIZE		D		1/2/13		1/2/13