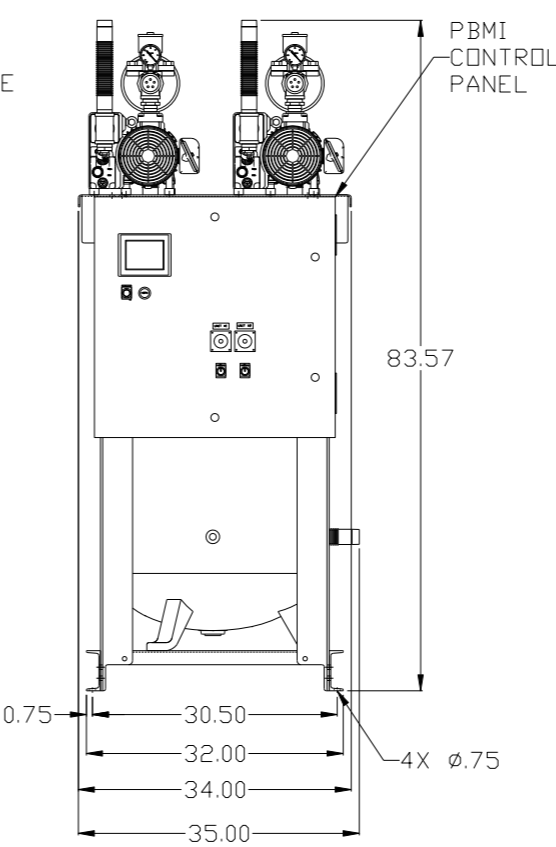
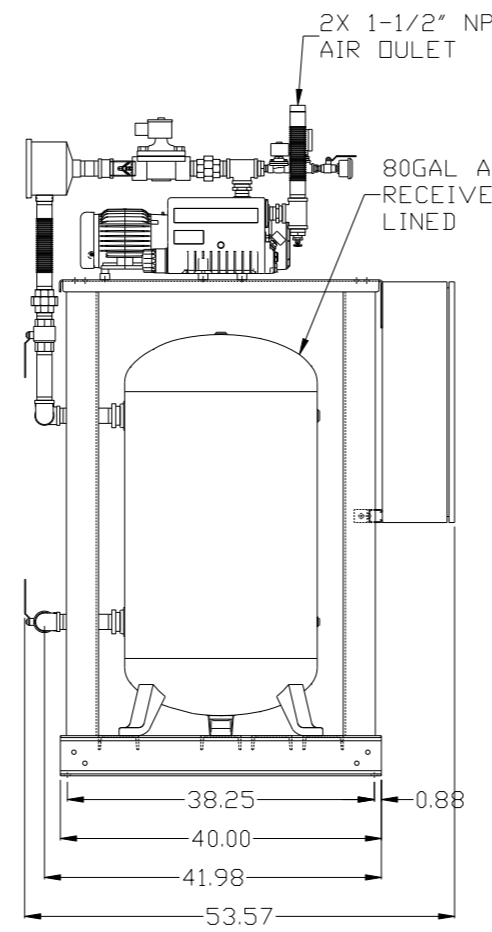
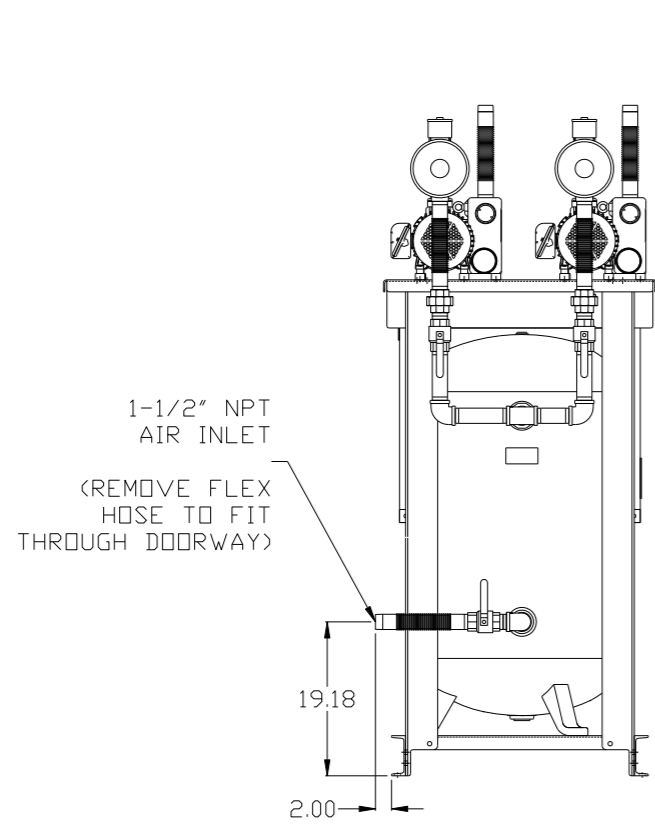
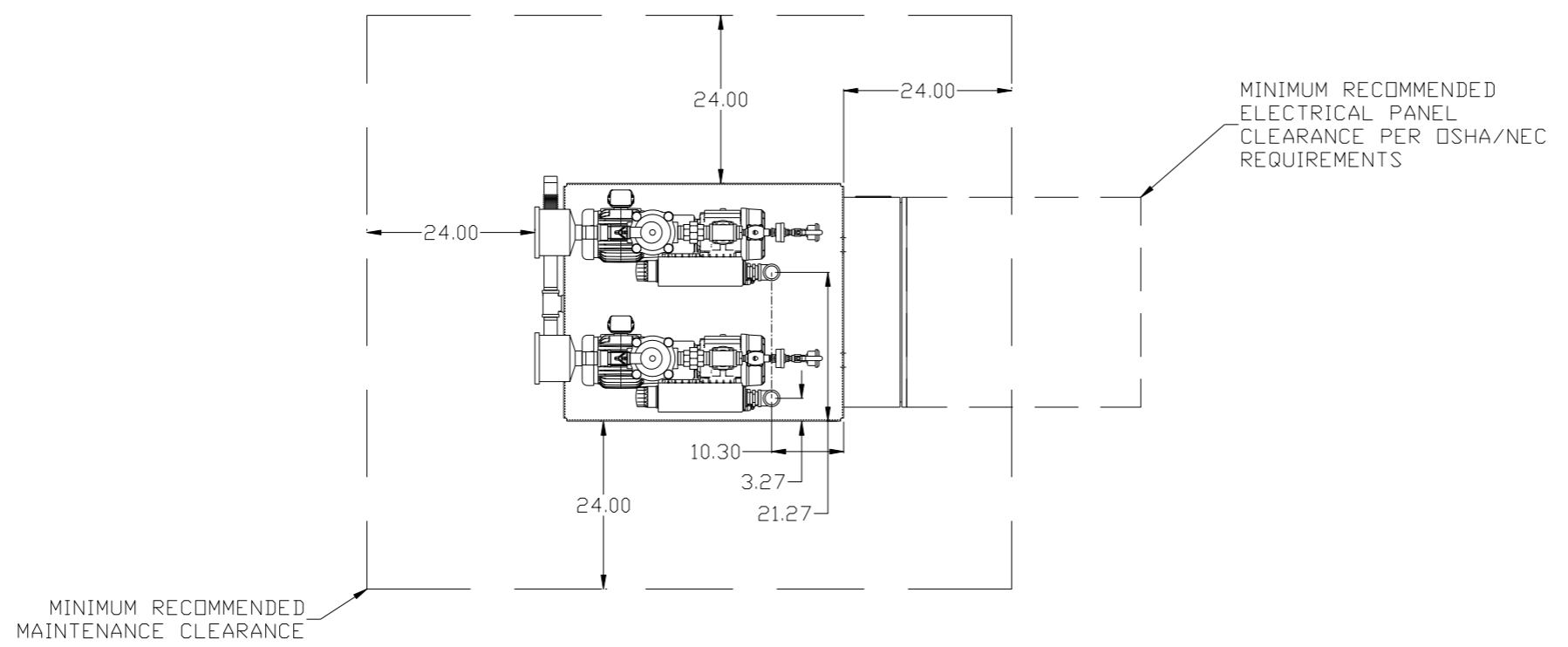


8 7 6 5 4 3 2 1

| REV | ZONE | REVISION | DATE | ECN | NAME | CHKD |
|-----|-------|-------------------------------|---------|----------|------|------|
| B-1 | ALL | RELEASE TO PRODUCTION | 1/2/13 | PXEC003 | GES | DMS |
| C-1 | I ALL | UPDATED TO NEW RA SERIES PUMP | 7/8/16 | PXEC0148 | AEK | KMB |
| D-1 | I ALL | ADDED LINING NOTE TO TANK | 4/13/18 | PXEC0229 | MAH | GES |

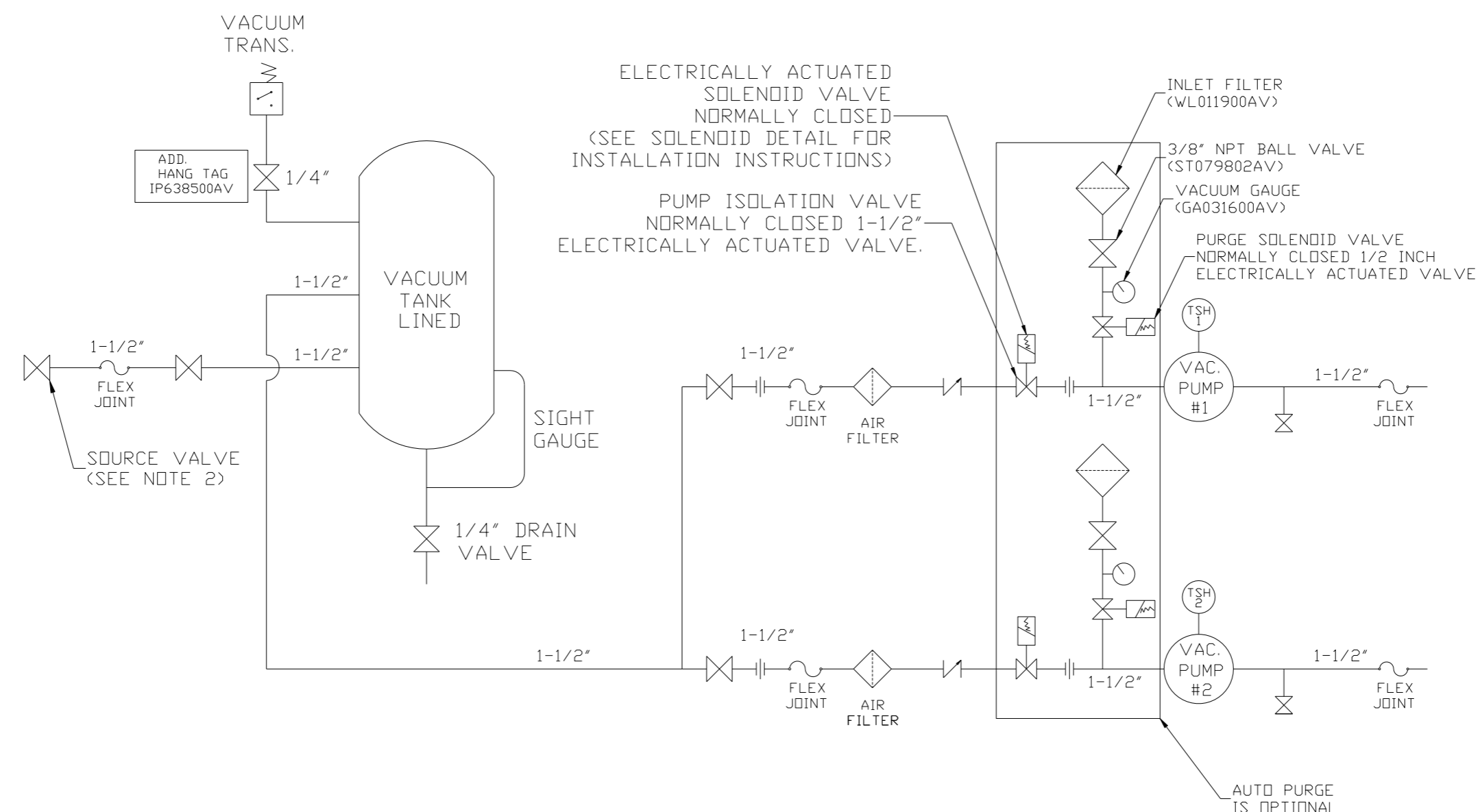


NOTE: AUTO PURGE IS OPTIONAL.

| | | | |
|---|-------------------|--|-----------------|
| SYMBOL LEGEND ⊖ = MINUS DRAFT ⊕ = PLUS DRAFT ∅ = ADDITIONAL CONTROL REQ'D HB = BRINELL HARDNESS | | Drawings to conform to the current revision of the following ANSI standards: Y14.3 Multi and sectional view dgs. Y14.5M Dimensioning and tolerancing | |
| TOLERANCES NOT SPECIFIED .XX ± .XXX ± \angle(DEG.) ± | | DO NOT SCALE DRAWING FOR DIMENSIONS AUTOCAD REL2008 LT INCH Sheet 1 of 2 SCALE 1:12 | |
| CONFIDENTIAL DISCLOSURE This drawing is the property of POWEREX, INC. of the SCOTT FETZER COMPANY and subject to return on demand. Its contents are confidential and must not be copied or submitted to outside parties for use or examination. | | | |
| DRAWN BY GES | CHECKED BY DMS | APPROVED BY JBC | MFG/MRKTG CT |
| MATERIAL N/A | | POWEREX 150 PRODUCTION DRIVE, HARRISON, OHIO 45030 Ph: 888-769-7979 FAX: (513) 367-3125 | |
| PART NAME 2HP LAB VACUUM 80G DUPLEX TANK MOUNTED | | DWG NO LVVD0203 | SIZE D |

8 7 6 5 4 3 2 1

| REV | ZONE | REVISION | DATE | ECN | NAME | CHKD |
|-----|-------|-------------------------------|---------|----------|------|------|
| B-1 | ALL | RELEASE TO PRODUCTION | 1/2/13 | PKE0003 | GES | DMS |
| C-1 | 1 ALL | UPDATED TO NEW RA SERIES PUMP | 7/8/16 | PKEC0148 | AEK | KMB |
| D-1 | 1 ALL | ADDED LINING NOTE TO TANK | 4/13/18 | PKEC0229 | MAH | GES |



ELECTRICALLY ACTUATED SOLENOID VALVE NORMALLY CLOSED (SEE SOLENOID DETAIL FOR INSTALLATION INSTRUCTIONS)

PUMP ISOLATION VALVE NORMALLY CLOSED 1-1/2" ELECTRICALLY ACTUATED VALVE.

INLET FILTER (WL011900AV)

3/8" NPT BALL VALVE (ST079802AV)

VACUUM GAUGE (GA031600AV)

PURGE SOLENOID VALVE NORMALLY CLOSED 1/2 INCH ELECTRICALLY ACTUATED VALVE

ADD. HANG TAG IP638500AV

VACUUM TRANS.

VACUUM TANK LINED

SIGHT GAUGE

1/4" DRAIN VALVE

1-1/2" FLEX JOINT

SOURCE VALVE (SEE NOTE 2)

1-1/2" FLEX JOINT

AIR FILTER

1-1/2"

VAC. PUMP #1

1-1/2" FLEX JOINT

1-1/2" FLEX JOINT

AIR FILTER

1-1/2"

VAC. PUMP #2

1-1/2" FLEX JOINT

AUTO PURGE IS OPTIONAL

NOTE:
A 1/4 INCH VENT PLUG IS LOCATED IN THE FILTER HOUSING.

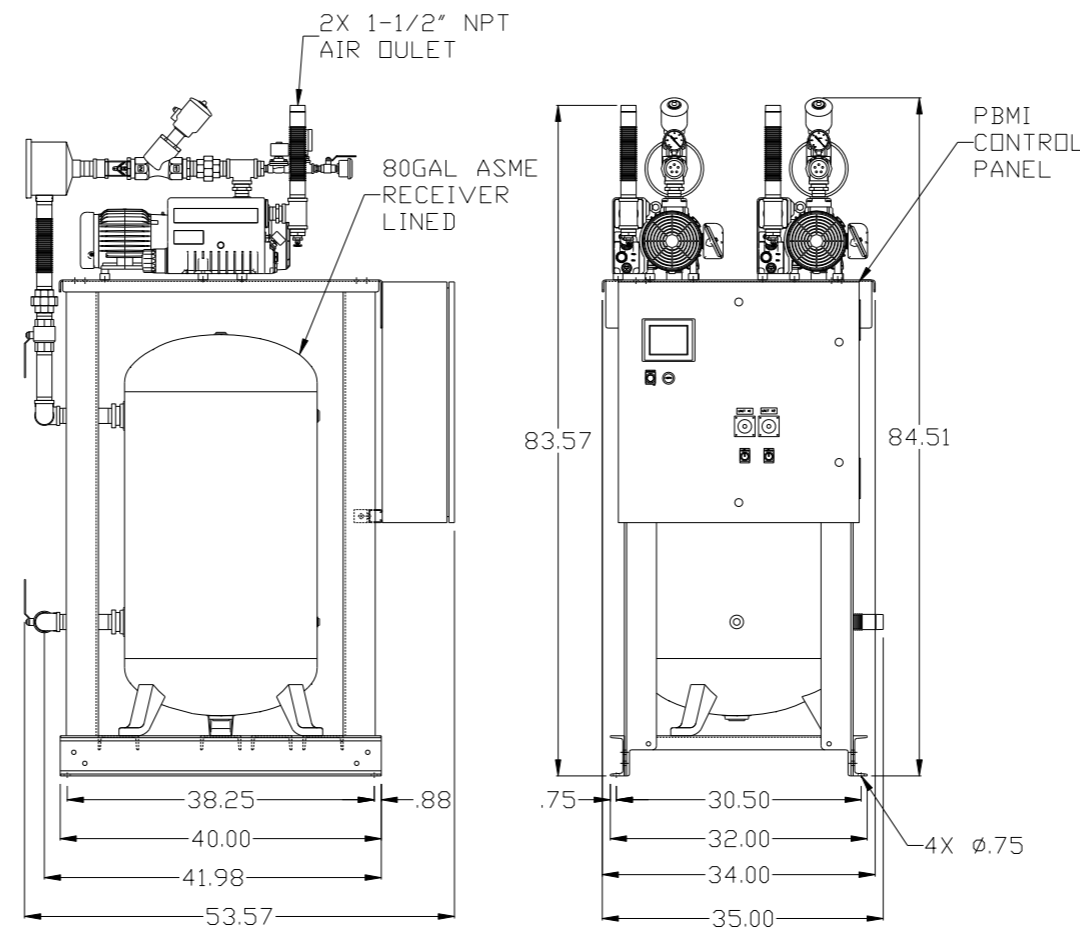
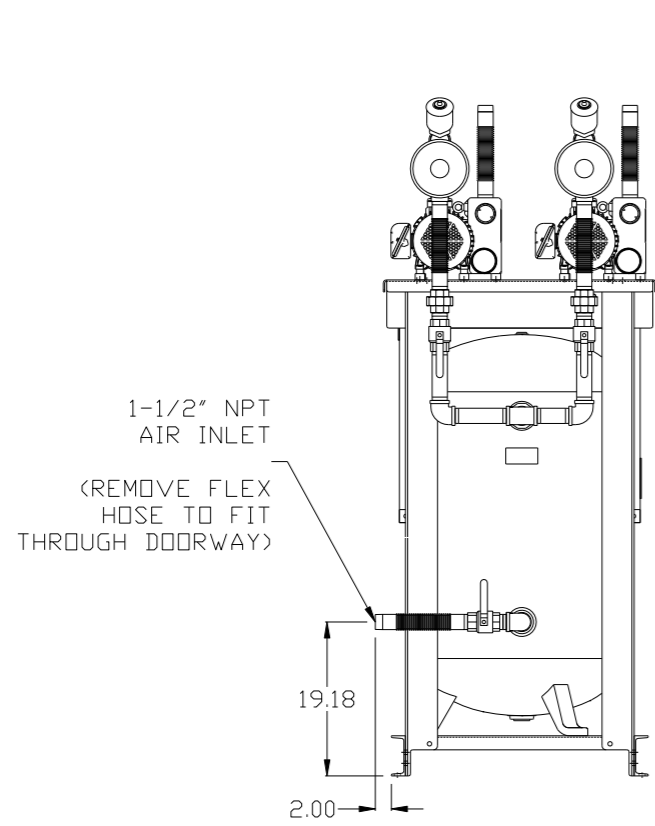
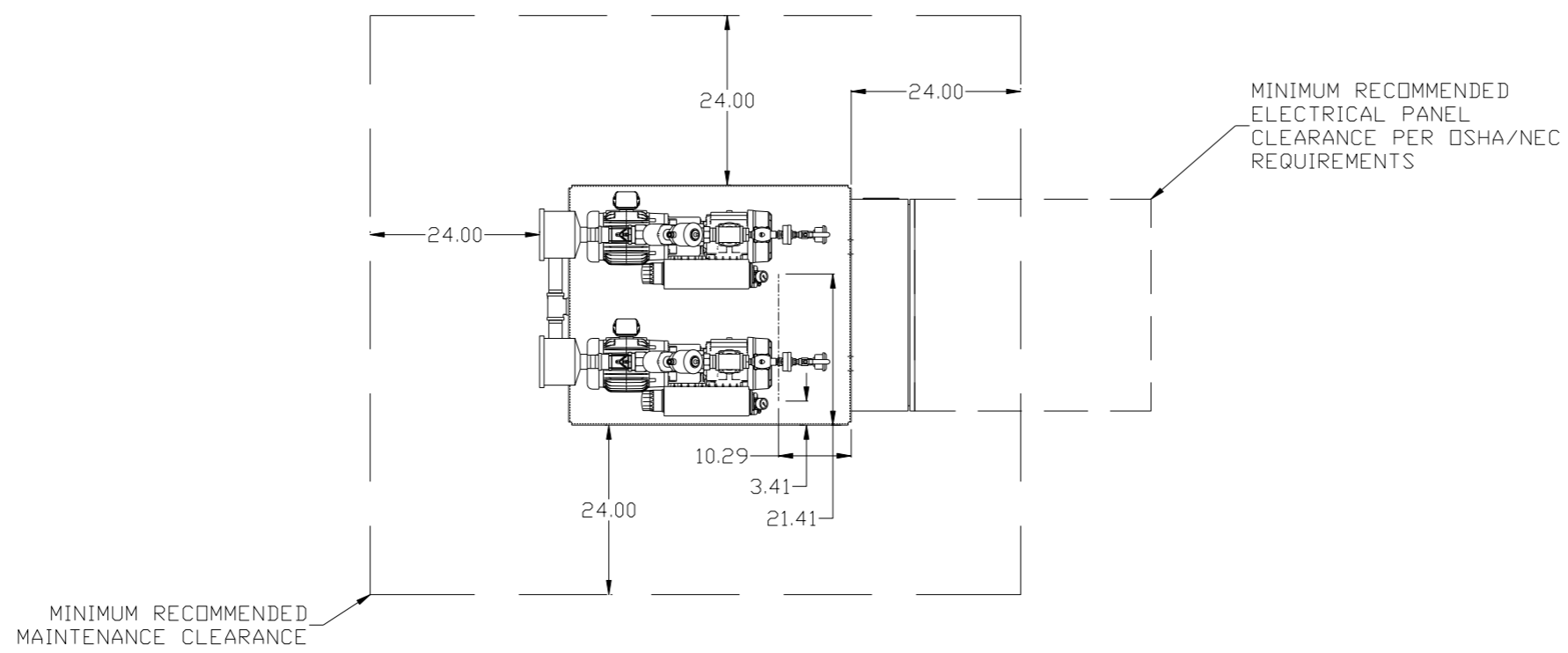
LEGEND

| | | | |
|--|-----------------|--|---------------|
| | TEMP. SWITCH | | VACUUM SWITCH |
| | BUTTERFLY VALVE | | CHECK VALVE |
| | AIR FILTER | | FLEX LINE |
| | BALL VALVE | | UNION |

NOTE:
1) TSH - TEMPERATURE SWITCH HIGH
2) PER NFPA THE SYSTEM WILL REQUIRE A SOURCE VALVE (SUPPLIED BY OTHERS).

| SYMBOL LEGEND | | AUTOCAD REL2008 LT | | DO NOT SCALE DRAWING FOR DIMENSIONS | |
|---|--------------------------|---|-------|-------------------------------------|------|
| ⊖ | MINUS DRAFT | INCH | SCALE | Sheet 2 of 2 | 1:12 |
| ⊕ | PLUS DRAFT | TOLERANCES NOT SPECIFIED | | | |
| ⊖ | ADDITIONAL CONTROL REQ'D | DRAWINGS TO CONFORM TO THE CURRENT REVISION OF THE FOLLOWING ANSI STANDARDS | | | |
| ⊕ | BINELL HARDNESS | Y14.3 Multi and sectional view dgs. Y14.5M Dimensioning and tolerancing | | | |
| CONFIDENTIAL DISCLOSURE | | DRAWN BY | | APPROVED BY | |
| This drawing is the property of POWEREX, INC. of the SCOTT FETZER COMPANY and subject to return on demand. Its contents are confidential and must not be copied or submitted to outside parties for use or examination. | | GES | | DMS | |
| MATERIAL | | CHECKED BY | | ENGINEERING | |
| N/A | | JBC | | MFG/MRKTG | |
| PART NAME | | 11/20/12 | | 1/2/13 | |
| DUPLIX LAB VACUUM FLOW SCHEMATIC | | 1/2/13 | | 1/2/13 | |
| DWG NO | | SIZE | | | |
| LVVD0203 | | D | | | |

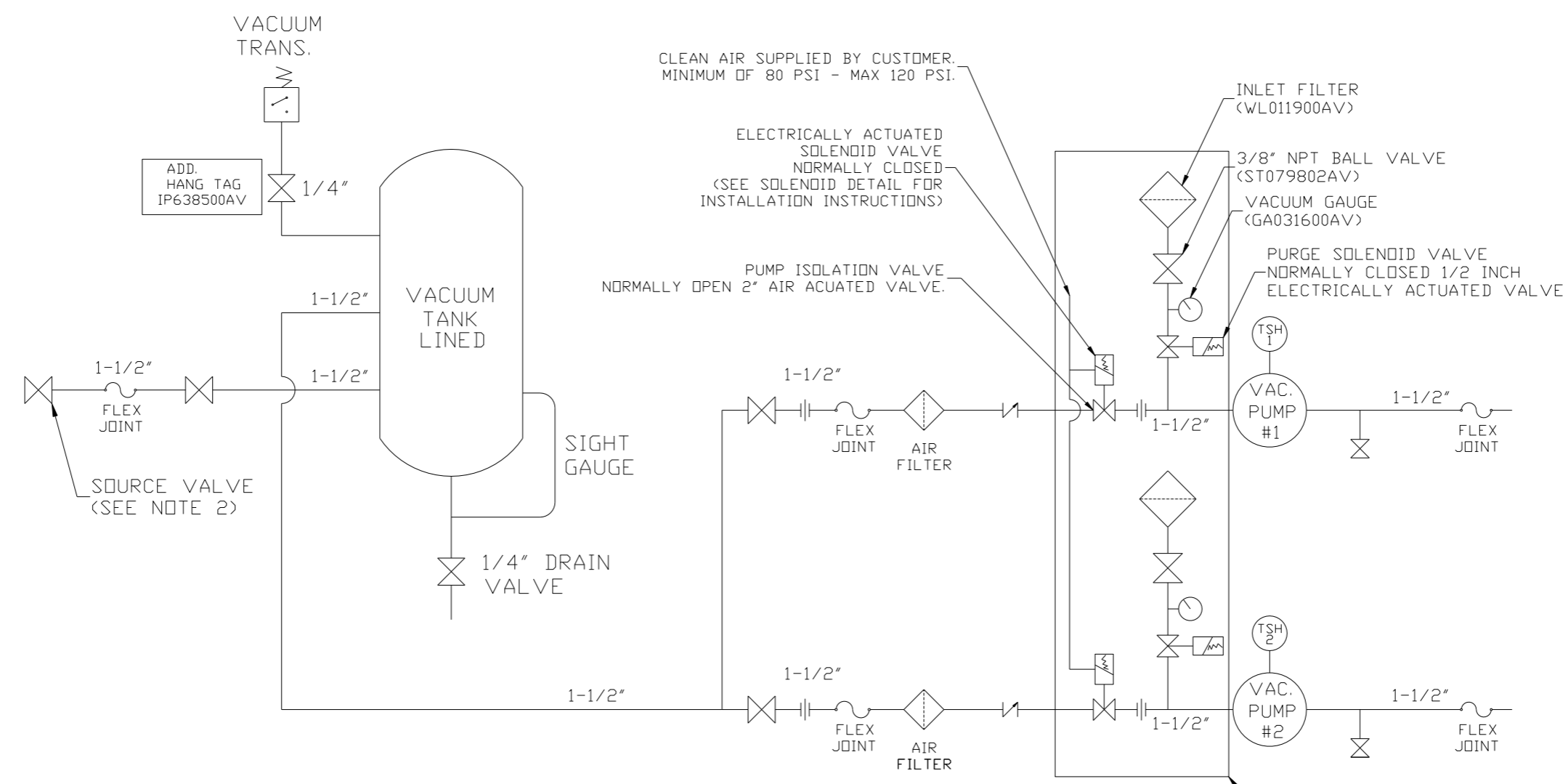
| REV | ZONE | REVISION | DATE | ECN | NAME | CHKD |
|-----|-------|-------------------------------|---------|----------|------|------|
| B-1 | ALL | RELEASE TO PRODUCTION | 1/2/13 | PXEC003 | GES | DMS |
| C-1 | 1 ALL | UPDATED TO NEW RA SERIES PUMP | 7/8/16 | PXEC0148 | AEK | KMB |
| D-1 | 1 ALL | ADDED LINING NOTE TO TANK | 4/13/18 | PXEC0229 | MAH | GES |



NOTE: AUTO PURGE IS OPTIONAL.

| | | | |
|--|-------------------|---|-----------------|
| SYMBOL LEGEND ⊖ = MINUS DRAFT ⊕ = PLUS DRAFT ∅ = ADDITIONAL CONTROL REQ'D HRC = BRINELL HARDNESS | | Drawings to conform to the current revision of the following ANSI standards: Y14.3 Multi and sectional view dsgs. Y14.5M Dimensioning and tolerancing | |
| TOLERANCES NOT SPECIFIED .XX ± .XXX ± \angle (DEG) ± | | AUTOCAD REL2008 LT INCH DO NOT SCALE DRAWING FOR DIMENSIONS Sheet 1 of 2 SCALE 1:12 | |
| CONFIDENTIAL DISCLOSURE This drawing is the property of POWEREX, INC. of the SCOTT FELTZER COMPANY and subject to return on demand. Its contents are confidential and must not be copied or submitted to outside parties for use or examination. | | | |
| DRAWN BY GES | CHECKED BY DMS | APPROVED BY JBC | MFG/MRKTG CT |
| MATERIAL N/A | | POWEREX 150 PRODUCTION DRIVE, HARRISON, OHIO 45030 Ph: 888-769-7979 FAX: (513) 367-3125 | |
| PART NAME 2HP LAB VACUUM 80G DUPLEX TANK MOUNTED | | DWG NO LVVD0203 | SIZE D |

| REV | ZONE | REVISION | DATE | ECN | NAME | CHKD |
|-----|-------|-------------------------------|---------|----------|------|------|
| B-1 | ALL | RELEASE TO PRODUCTION | 1/2/13 | PXEC003 | GES | DMS |
| C-1 | 1 ALL | UPDATED TO NEW RA SERIES PUMP | 7/8/16 | PXEC0148 | AEK | KMB |
| D-1 | 1 ALL | ADDED LINING NOTE TO TANK | 4/13/18 | PXEC0229 | MAH | GES |



CLEAN AIR SUPPLIED BY CUSTOMER.
MINIMUM OF 80 PSI - MAX 120 PSI.

ELECTRICALLY ACTUATED
SOLENOID VALVE
NORMALLY CLOSED
(SEE SOLENOID DETAIL FOR
INSTALLATION INSTRUCTIONS)

PUMP ISOLATION VALVE
NORMALLY OPEN 2" AIR ACUATED VALVE.

INLET FILTER
(WL011900AV)

3/8" NPT BALL VALVE
(ST079802AV)

VACUUM GAUGE
(GA031600AV)

PURGE SOLENOID VALVE
NORMALLY CLOSED 1/2 INCH
ELECTRICALLY ACTUATED VALVE

ADD.
HANG TAG
IP638500AV

VACUUM
TRANS.

VACUUM
TANK
LINED

SIGHT
GAUGE

1/4" DRAIN
VALVE

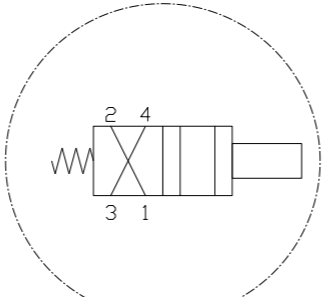
SOURCE VALVE
(SEE NOTE 2)

NOTE:
A 1/4 INCH VENT PLUG IS
LOCATED IN THE FILTER HOUSING.

AUTO PURGE
IS OPTIONAL

LEGEND

| | | | |
|--|-----------------|--|---------------|
| | TEMP. SWITCH | | VACUUM SWITCH |
| | BUTTERFLY VALVE | | CHECK VALVE |
| | AIR FILTER | | FLEX LINE |
| | BALL VALVE | | UNION |

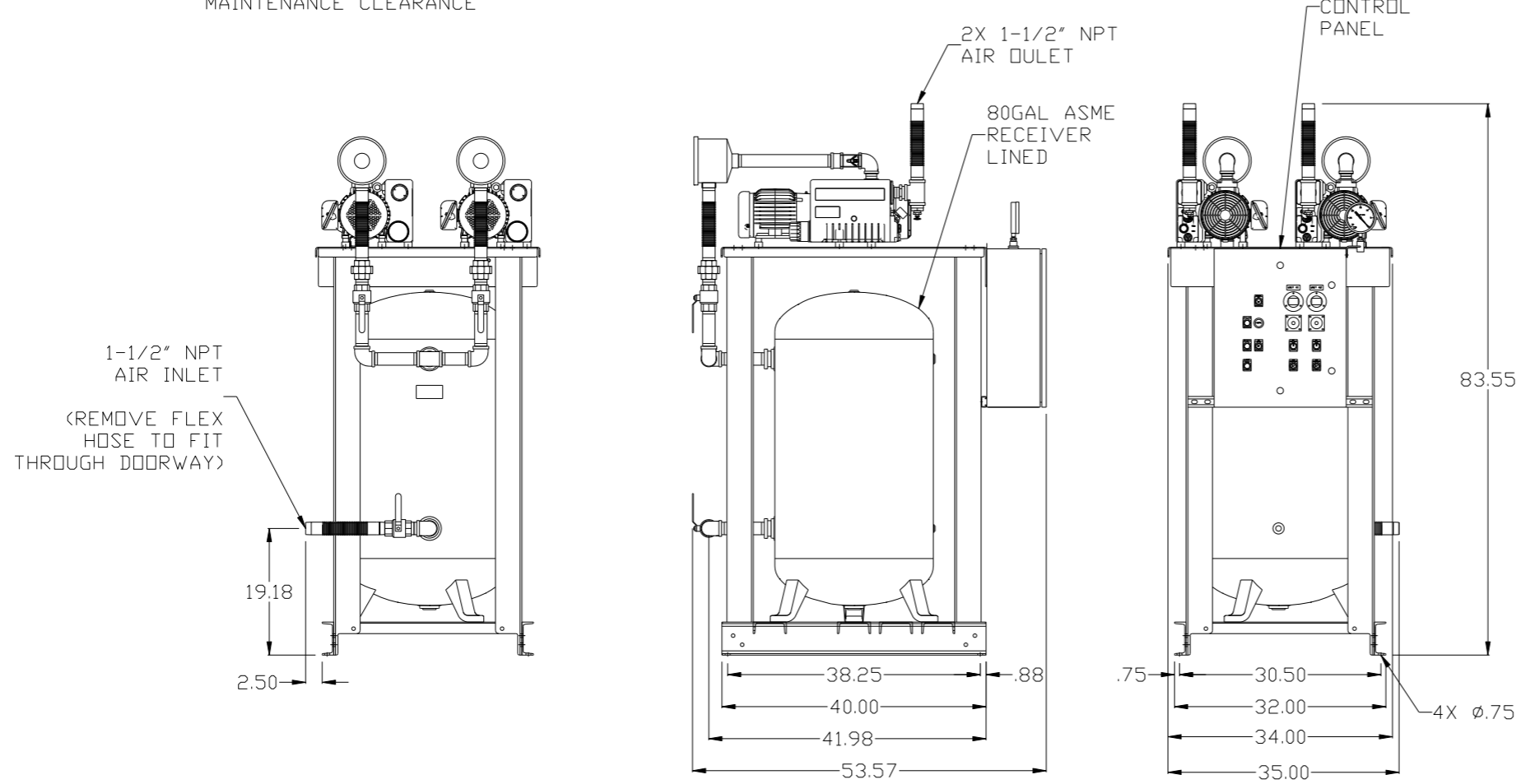
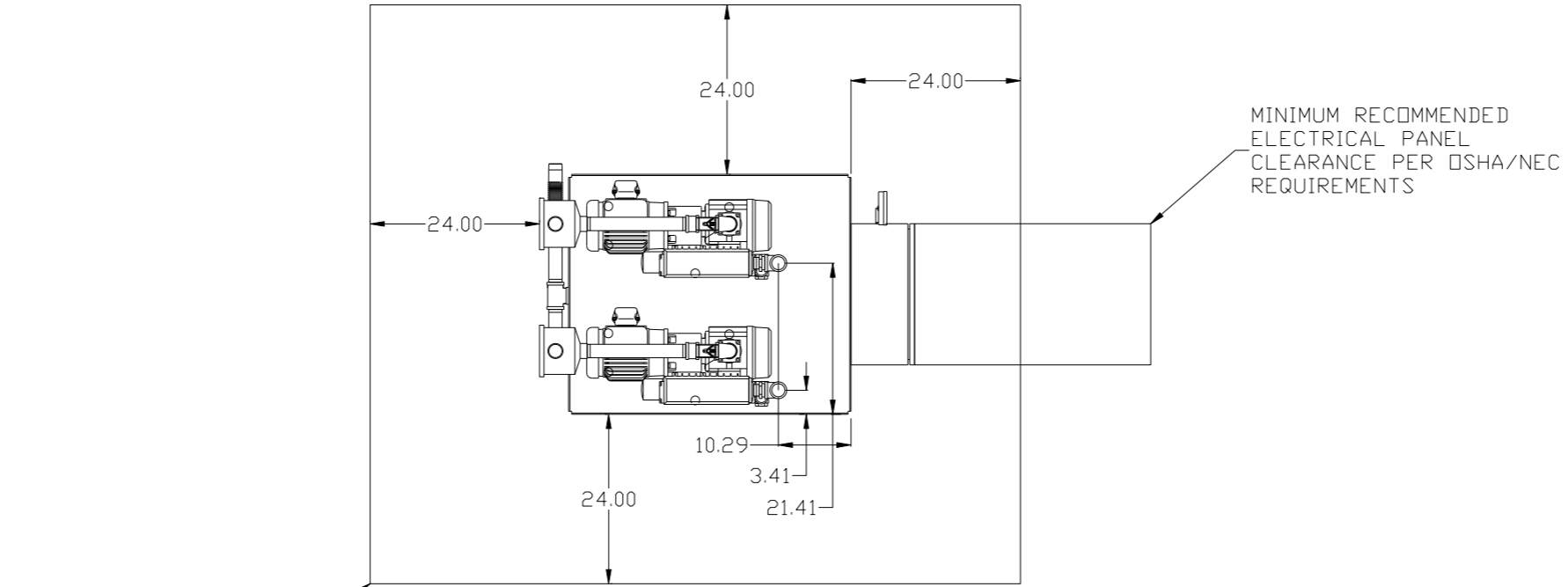


SOLENOID DETAIL:
1) VALVE - INPUT #1
2) MUFFLER - INPUT #2
3) SUPPLY AIR - INPUT #4

NOTE:
1) TSH - TEMPERATURE SWITCH HIGH
2) PER NFPA THE SYSTEM WILL REQUIRE A SOURCE VALVE (SUPPLIED BY OTHERS).

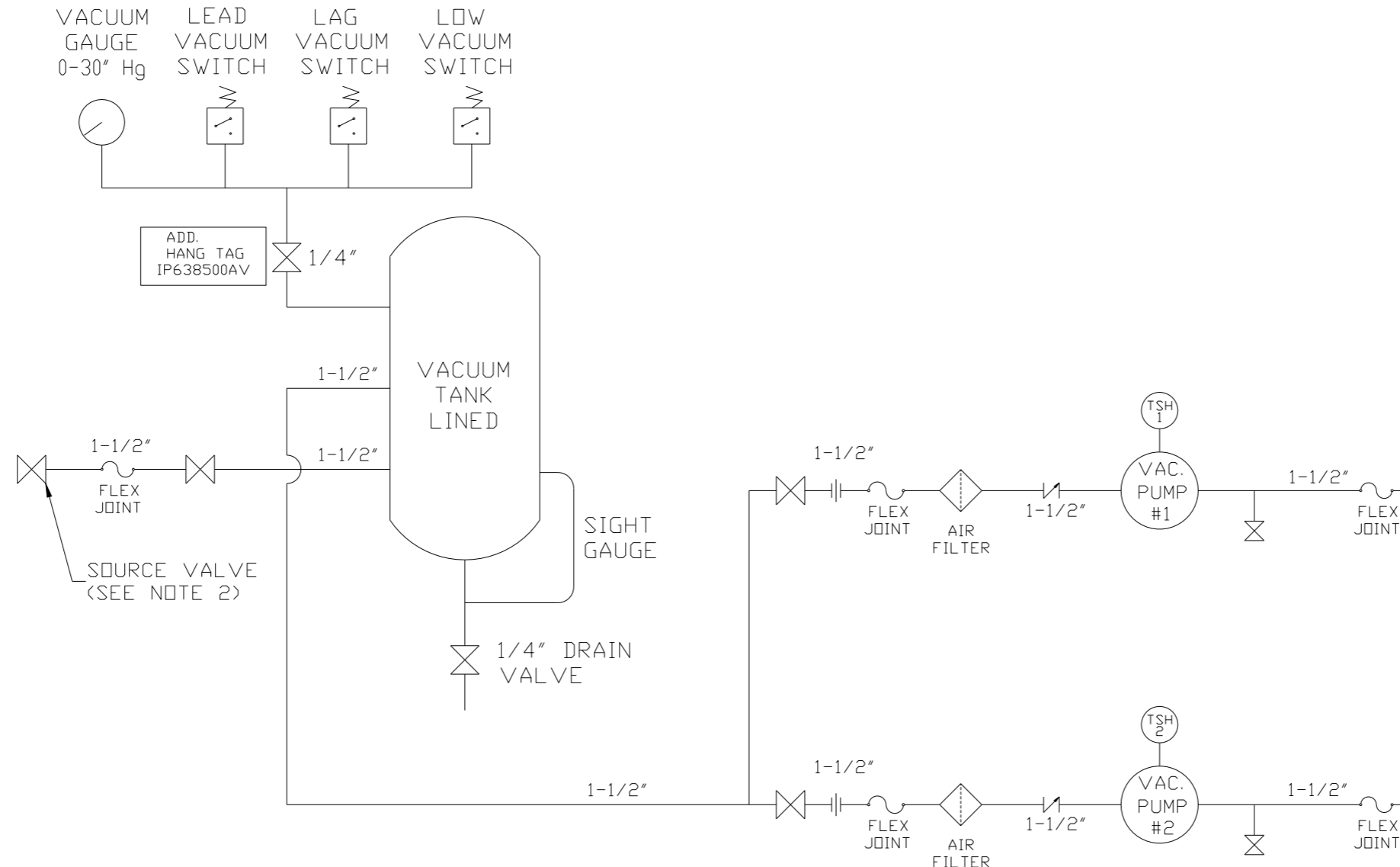
| SYMBOL LEGEND | | AUTOCAD REL2008 LT | | DO NOT SCALE DRAWING FOR DIMENSIONS | |
|--|-------------|--|-------|--|------|
| ⊖ | MINUS DRAFT | INCH | SCALE | Sheet 2 of 2 | 1:12 |
| ⊕ | PLUS DRAFT | Drawings to conform to the current revision of the following ANSI standards: Y14.3 Multi and sectional view dgs. Y14.5M Dimensioning and tolerancing | | | |
| TOLERANCES NOT SPECIFIED | | SCALE | | SCALE | |
| .XX ± | | INCH | | 1:12 | |
| .XXX ± | | | | | |
| <DEG> ± | | | | | |
| CONFIDENTIAL DISCLOSURE This drawing is the property of POWEREX, INC. of the SCOTT FETZER COMPANY and subject to return on demand. Its contents are confidential and must not be copied or submitted to outside parties for use or examination. | | | | | |
| DRAWN BY | | CHECKED BY | | APPROVED BY | |
| GES | | DMS | | JBC CT | |
| 11/20/12 | | 1/2/13 | | 1/2/13 1/2/13 | |
| MATERIAL | | N/A | | POWEREX | |
| PART NAME | | DUPLIX LAB VACUUM | | 150 PRODUCTION DRIVE, HARRISON, OHIO 45030 Ph: 888-769-7979 FAX: (513) 367-3125 | |
| FLOW SCHEMATIC | | LVVD0203 | | SIZE D | |

| REV | ZONE | REVISION | DATE | ECN | NAME | CHKD |
|-----|-------|-------------------------------|---------|----------|------|------|
| B-1 | ALL | RELEASE TO PRODUCTION | 1/2/13 | PXEC0003 | GES | DMS |
| C-1 | 1 ALL | UPDATED TO NEW RA SERIES PUMP | 7/8/16 | PXEC0148 | AEX | KMB |
| B-1 | 1 ALL | ADDED LINING NOTE TO TANK | 4/13/18 | PXEC0229 | MAH | GES |



| | | | | |
|---|--|--|--|---|
| SYMBOL LEGEND ⊖ = MINUS DRAFT ⊕ = PLUS DRAFT HRC = BRINELL HARDNESS | | = ADDITIONAL CONTROL REQ'D = BRINELL HARDNESS | | Drawings to conform to the current revision of the following ANSI standards: Y14.3 Multi and sectional view dgs Y14.5M Dimensioning and tolerancing |
| TOLERANCES NOT SPECIFIED .XX ± .XXX ± \angle(DEG.) ± | | AUTOCAD REL2008 LT INCH | | DO NOT SCALE DRAWING FOR DIMENSIONS Sheet 1 of 2 SCALE 1:12 |
| CONFIDENTIAL DISCLOSURE This drawing is the property of POWEREX, INC. of the SCOTT FETZER COMPANY and subject to return on demand. Its contents are confidential and must not be copied or submitted to outside parties for use or examination. | | | | |
| DRAWN BY GES | | CHECKED BY DMS | | APPROVED BY ENGINEERING MFG/MRKTG JBC CT |
| MATERIAL N/A | | DATE 11/20/12 1/2/13 1/2/13 1/2/13 | | SIZE D |
| PART NAME 2HP LAB VACUUM 80G DUPLEX TANK MOUNTED | | DWG NO LVVD0203 | | SIZE D |

| REV | ZONE | REVISION | DATE | ECN | NAME | CHKD |
|-----|-------|-------------------------------|---------|----------|------|------|
| B-1 | ALL | RELEASE TO PRODUCTION | 1/2/13 | PKE0003 | GES | DMS |
| C-1 | 1 ALL | UPDATED TO NEW RA SERIES PUMP | 7/8/16 | PKE00148 | AEX | KMB |
| B-1 | 1 ALL | ADDED LINING NOTE TO TANK | 4/13/18 | PKE00289 | MAH | GES |



NOTE:
A 1/4 INCH VENT PLUG IS
LOCATED IN THE FILTER HOUSING.

LEGEND

| | | | |
|--|-----------------|--|---------------|
| | TEMP. SWITCH | | VACUUM SWITCH |
| | BUTTERFLY VALVE | | CHECK VALVE |
| | AIR FILTER | | FLEX LINE |
| | BALL VALVE | | UNION |

NOTE:
1) TSH - TEMPERATURE SWITCH HIGH
2) PER NFPA THE SYSTEM WILL REQUIRE A SOURCE VALVE (SUPPLIED BY OTHERS).

| | | | | | | |
|--|--|--------------------|----------------------------|--|--|--|
| SYMBOL LEGEND | | | = ADDITIONAL CONTROL REQ'D | | Drawings to conform to the current revision of the following ANSI standards. | |
| ⊖ = MINUS DRAFT | | | = BRINELL HARDNESS | | Y14.3 Multi and sectional view dgs. Y14.5M Dimensioning and tolerancing | |
| ⊕ = PLUS DRAFT | | | | DO NOT SCALE DRAWING FOR DIMENSIONS | | |
| TOLERANCES NOT SPECIFIED | | AUTOCAD REL2008 LT | Sheet 2 of 2 | | SCALE 1:12 | |
| .XX ± | | | | | | |
| .XXX ± | | | | | | |
| <Z(DEG) ± | | | | | | |
| CONFIDENTIAL DISCLOSURE This drawing is the property of POWEREX, INC. of the SCOTT FETZER COMPANY and subject to return on demand. Its contents are confidential and must not be copied or submitted to outside parties for use or examination. | | | | | | |
| DRAWN BY | | CHECKED BY | APPROVED BY | | MFG/MKTG | |
| GES | | DMS | JBC | | CT | |
| 11/20/12 | | 1/2/13 | 1/2/13 | | 1/2/13 | |
| MATERIAL | | N/A | | | | |
| PART NAME | | DUPLX LAB VACUUM | | 150 PRODUCTION DRIVE, HARRISON, OHIO 45030 Ph: 888-769-7979 FAX: (513) 367-3125 | | |
| FLOW SCHEMATIC | | LVVD0203 | | SIZE D | | |