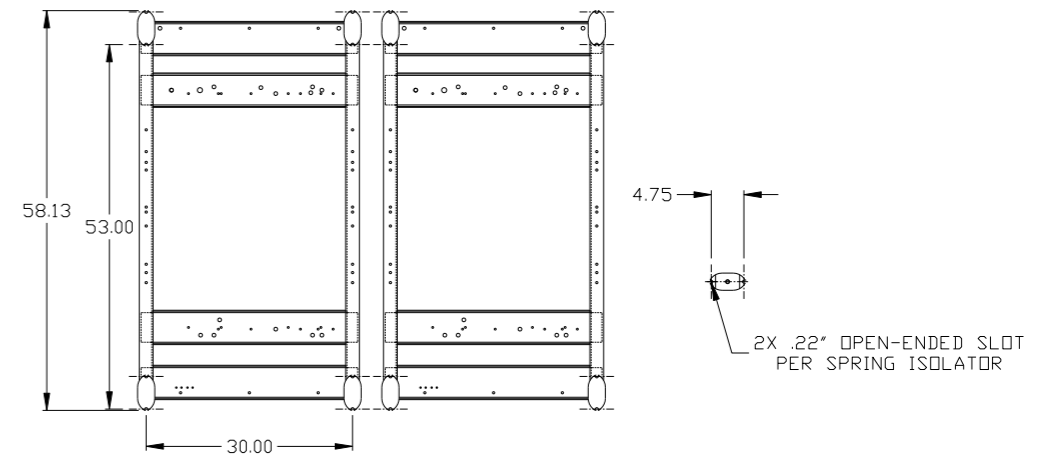


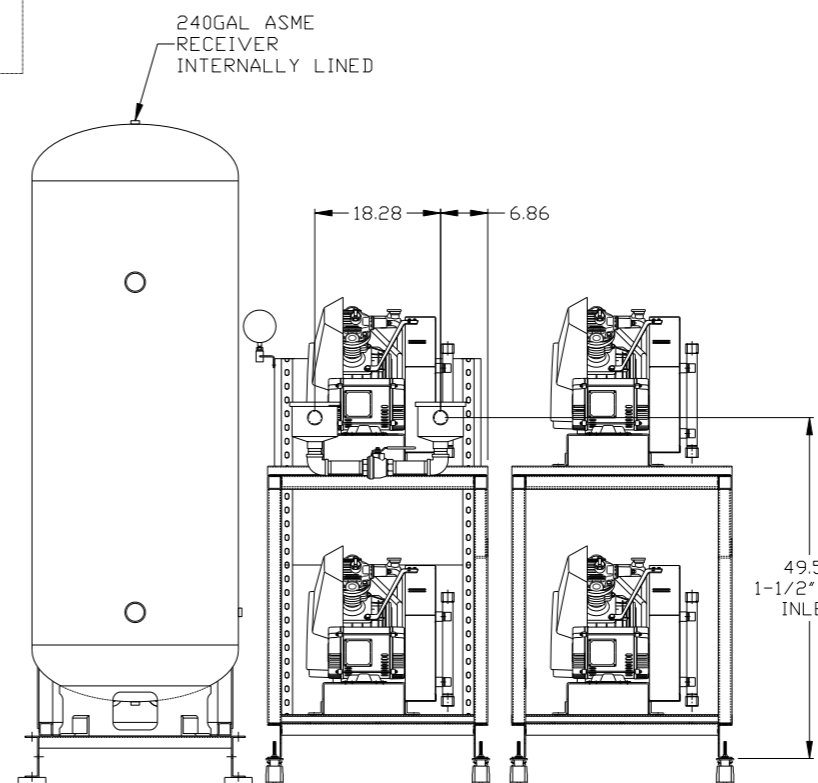
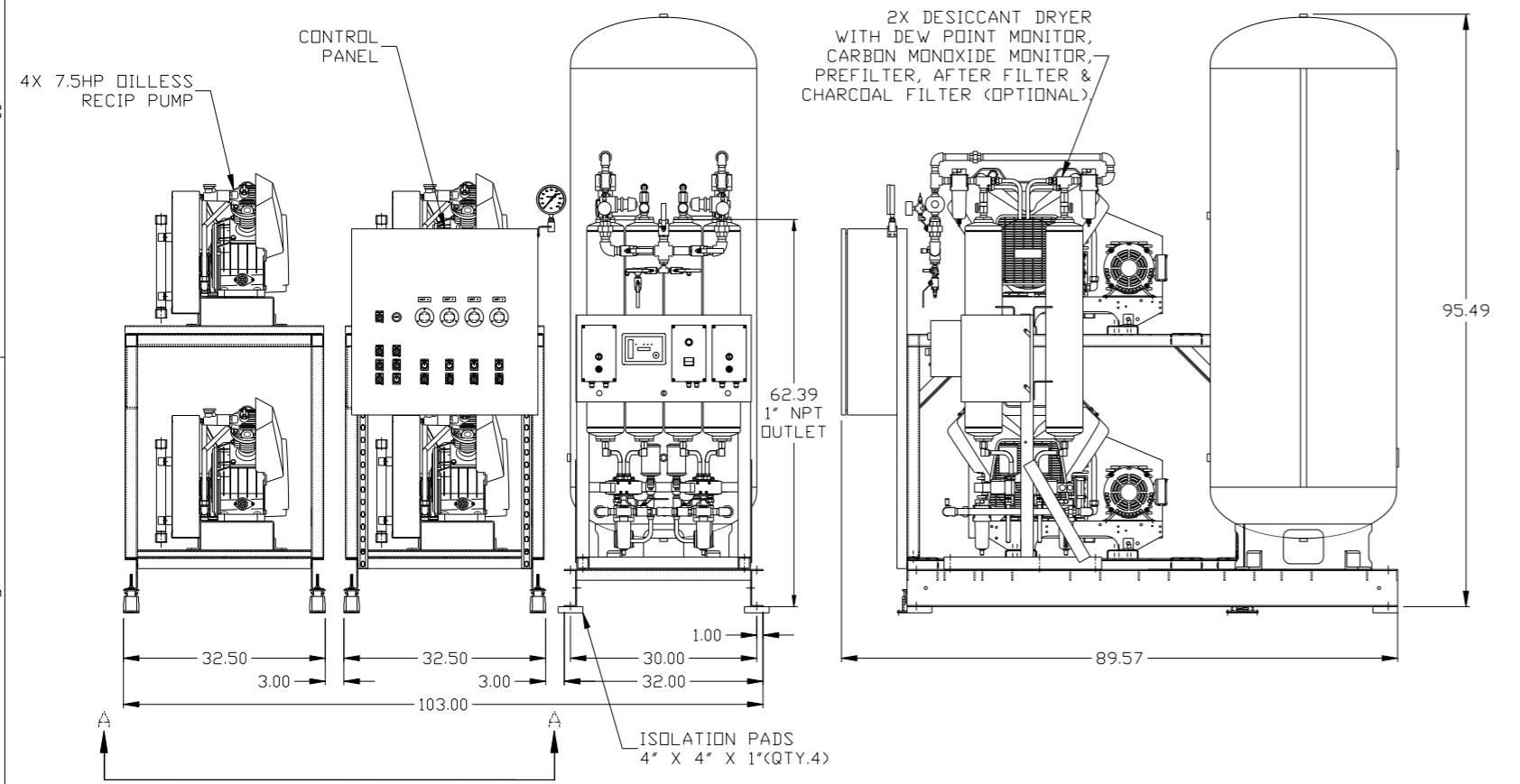
REV	ZONE	REVISION	DATE	ECN	NAME	CHKD
B-1	ALL	RELEASE TO PRODUCTION	11/30/10	22407	AEK	GES
C-1	ALL	ADDED PMI SHEETS	9/19/11	22609	AEK	GES
D-1	2 ALL	ADDED/UPDATED FLEX LINES	12/12/13	PXEC0030	AEK	GES
E-1	1 ALL	UPDATED DRYER OUTLET ORIENTATION AND REMOVED AFTER COOLER BRACKETS	04/01/15	PXEC0100	MJD	GES
F-1	1 ALL	CHANGED TO NEW BG DESIGN	7/14/16	PXEC0130	AEK	GES

MINIMUM RECOMMENDED ELECTRICAL PANEL CLEARANCE PER OSHA/NEC REQUIREMENTS

MINIMUM RECOMMENDED MAINTENANCE CLEARANCE



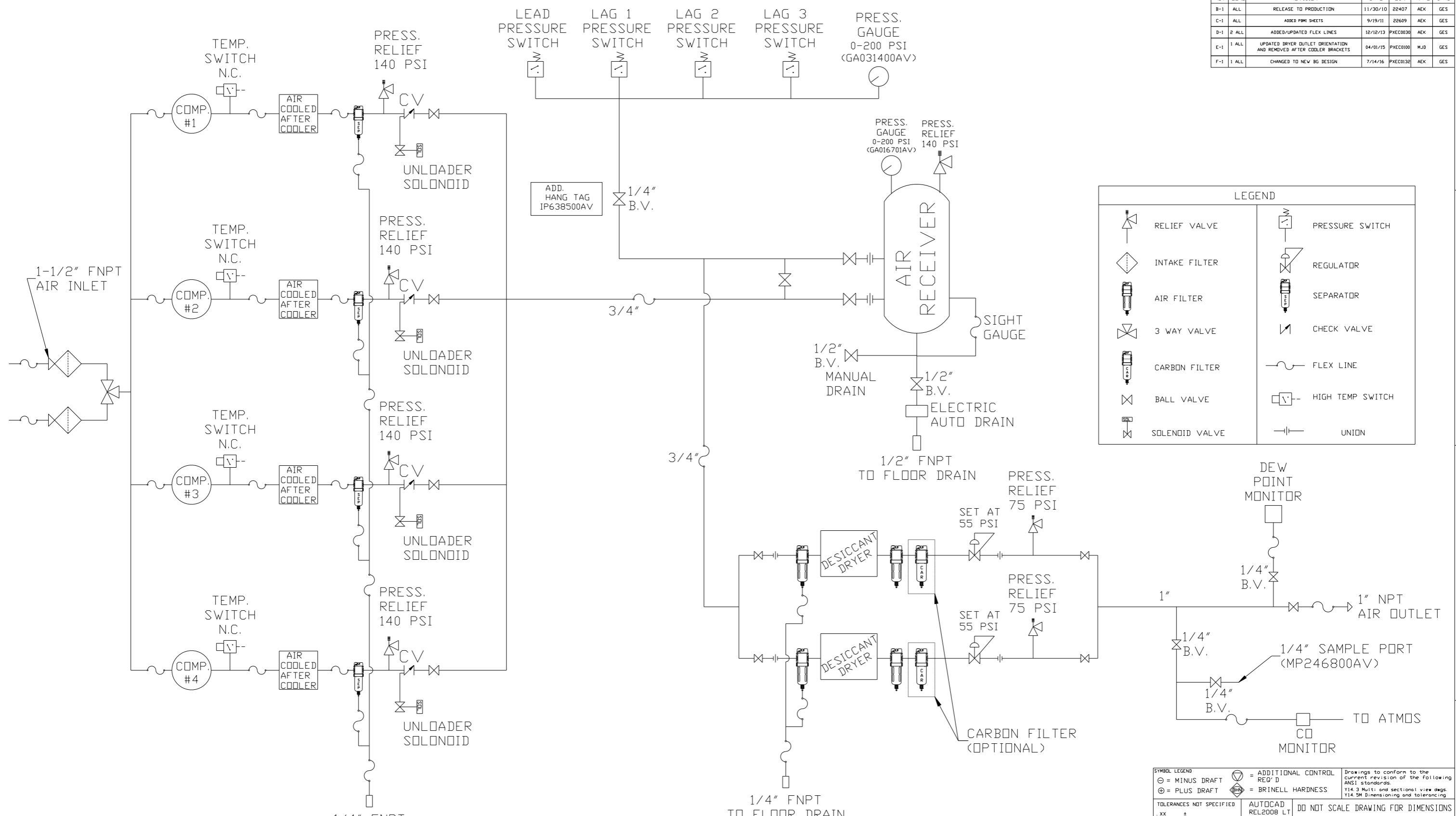
VIEW A-A



NOTE: SYSTEM DESIGNED IN COMPLIANCE WITH U.S. NFPA '99, LATEST EDITION.

<b>SYMBOL LEGEND</b> ⊖ = MINUS DRAFT ⊕ = PLUS DRAFT TOLERANCES NOT SPECIFIED .XX ± .XXX ± <math>\angle</math> (DEG) ±		= ADDITIONAL CONTROL REQ'D = BRINELL HARDNESS Drawings to conform to the current revision of the following ANSI standards: Y14.3 Multi and sectional view dgs. Y14.5M Dimensioning and tolerancing	
AUTOCAD REL2008 LT <b>INCH</b>		<b>DO NOT SCALE DRAWING FOR DIMENSIONS</b> Sheet 1 of 2 SCALE 1:12	
<b>CONFIDENTIAL DISCLOSURE</b> This drawing is the property of POWEREX, INC. of the SCOTT FEITZER COMPANY and subject to return on demand. Its contents are confidential and must not be copied or submitted to outside parties for use or examination.		DRAWN BY: AEK CHECKED BY: GES APPROVED BY: DMS, RJR 11/30/10 11/30/10 11/30/10 11/30/10	
MATERIAL: N/A		<b>POWEREX</b> 150 PRODUCTION DRIVE, HARRISON, OHIO 45030 Ph: 888-769-7979 Fax: (513) 367-3125	
PART NAME: QUADPLEX OILLESS RECIP 7.5HP 240GAL BASEMOUNT DUPLEX DESICCANT		DWG NO: MPQ0608X5 SIZE: D	

REV	ZONE	REVISION	DATE	ECN	NAME	CHKD
B-1	ALL	RELEASE TO PRODUCTION	11/30/10	22407	AEK	GES
C-1	ALL	ADDED P&ID SHEETS	9/19/11	22609	AEK	GES
D-1	2 ALL	ADDED/UPDATED FLEX LINES	12/12/13	PXEC030	AEK	GES
E-1	1 ALL	UPDATED DRYER OUTLET ORIENTATION AND REMOVED AFTER COOLER BRACKETS	04/01/15	PXEC0100	MJD	GES
F-1	1 ALL	CHANGED TO NEW BG DESIGN	7/14/16	PXEC0130	AEK	GES

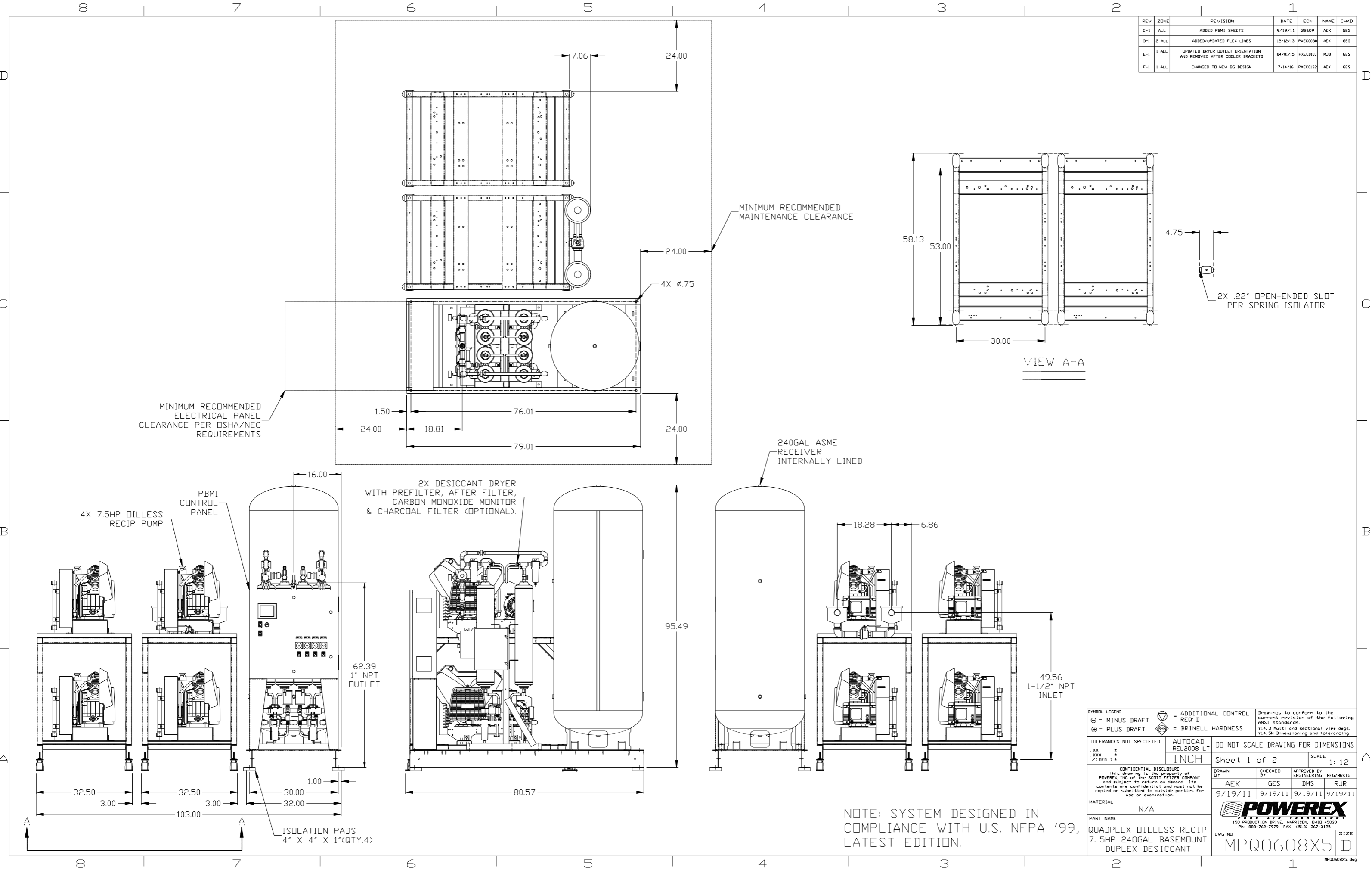


	RELIEF VALVE		PRESSURE SWITCH
	INTAKE FILTER		REGULATOR
	AIR FILTER		SEPARATOR
	3 WAY VALVE		CHECK VALVE
	CARBON FILTER		FLEX LINE
	BALL VALVE		HIGH TEMP SWITCH
	SOLENOID VALVE		UNION

- NOTES:
- 1) IF LAG 3 COMPRESSOR IS ENERGIZED ALARM WILL OCCUR.
  - 2) PIPING TO THE INLET BY OTHERS AND TO BE PER NFPA99
  - 3) INSTRUMENTS DOWN STREAM OF SOURCE VALVE TO BE SUPPLIED BY OTHERS.

SYMBOL LEGEND ⊖ = MINUS DRAFT ⊕ = PLUS DRAFT TOLERANCES NOT SPECIFIED .XX ± .XXX ± <math>\angle</math>(DEG.) ±		= ADDITIONAL CONTROL REQ'D = BRINELL HARDNESS	Drawings to conform to the current revision of the following ANSI standards Y14.3 Multi and sectional view dgs. Y14.5M Dimensioning and tolerancing
AUTOCAD REL2008 LT INCH		DO NOT SCALE DRAWING FOR DIMENSIONS Sheet 2 of 2 SCALE 1:12	
CONFIDENTIAL DISCLOSURE This drawing is the property of POWEREX, INC. OF THE SCOTT FETZER COMPANY and subject to return on demand. Its contents are confidential and must not be copied or submitted to outside parties for use or examination.		DRAWN BY AEK	CHECKED BY GES
MATERIAL N/A		APPROVED BY DMS	MFG/MKTG RJR
PART NAME QUAD RECIP MED PACKAGE FLOW SCHEMATIC		DATE 11/30/10	DATE 11/30/10
DWG NO MPQ0608X5		SIZE D	

REV	ZONE	REVISION	DATE	ECN	NAME	CHKD
C-1	ALL	ADDED PBMI SHEETS	9/19/11	22609	AEK	GES
D-1	2 ALL	ADDED/UPDATED FLEX LINES	12/12/13	PXEC0030	AEK	GES
E-1	1 ALL	UPDATED DRYER OUTLET ORIENTATION AND REMOVED AFTER COOLER BRACKETS	04/01/15	PXEC0100	MJD	GES
F-1	1 ALL	CHANGED TO NEW BG DESIGN	7/14/16	PXEC0130	AEK	GES



MINIMUM RECOMMENDED ELECTRICAL PANEL CLEARANCE PER OSHA/NEC REQUIREMENTS

MINIMUM RECOMMENDED MAINTENANCE CLEARANCE

VIEW A-A

2X .22" OPEN-ENDED SLOT PER SPRING ISOLATOR

240GAL ASME RECEIVER INTERNALLY LINED

2X DESICCANT DRYER WITH PREFILTER, AFTER FILTER, CARBON MONOXIDE MONITOR & CHARCOAL FILTER (OPTIONAL).

4X 7.5HP DILLESS RECIP PUMP

PBMI CONTROL PANEL

62.39 1" NPT OUTLET

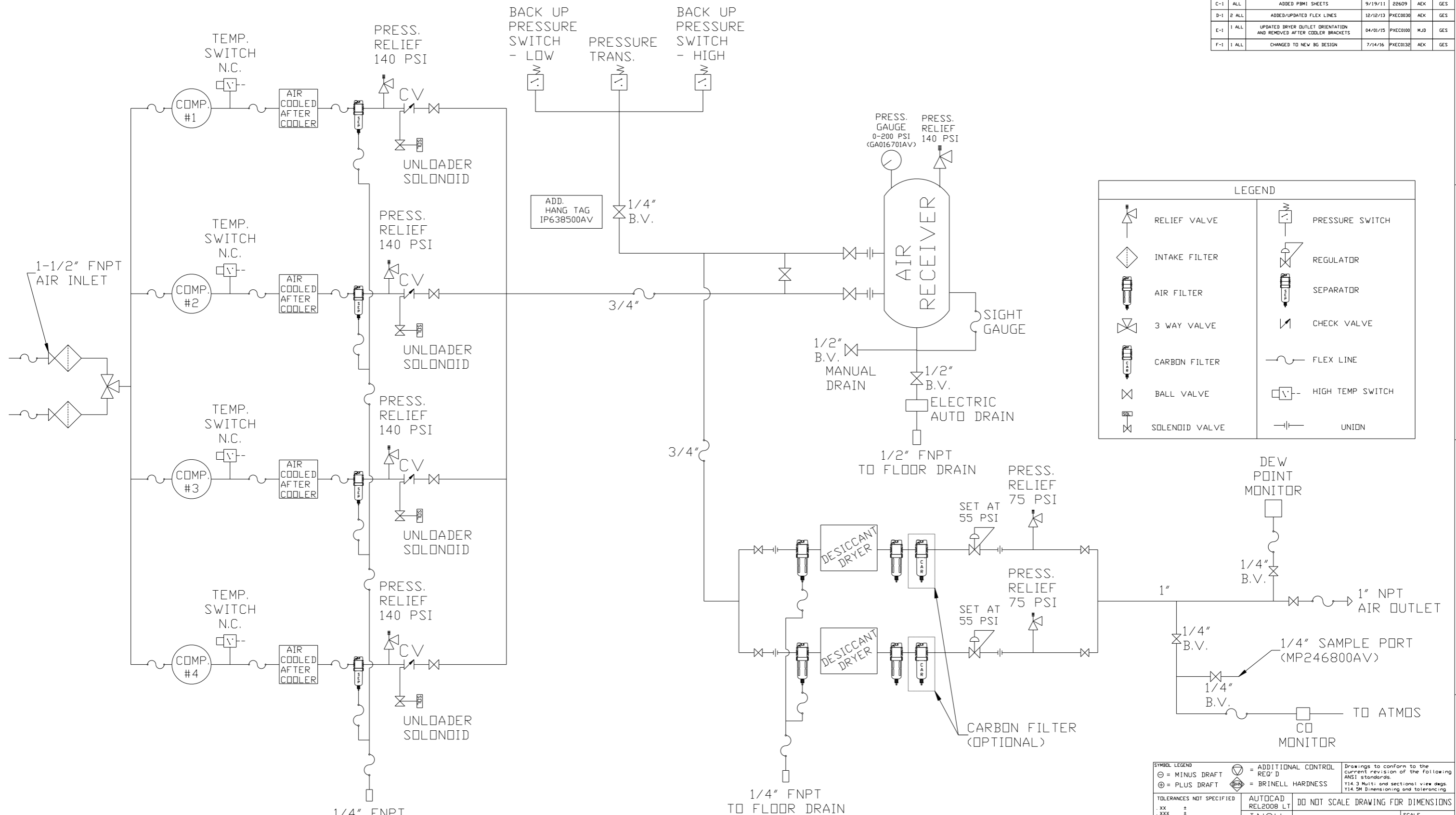
49.56 1-1/2" NPT INLET

ISOLATION PADS 4" X 4" X 1"(QTY.4)

NOTE: SYSTEM DESIGNED IN COMPLIANCE WITH U.S. NFPA '99, LATEST EDITION.

<b>SYMBOL LEGEND</b> ⊖ = MINUS DRAFT ⊕ = PLUS DRAFT .XX ± .XXX ± <math>\angle</math> (DEG) ±		= ADDITIONAL CONTROL REQ'D = BRINELL HARDNESS		Drawings to conform to the current revision of the following ANSI standards: Y14.3 Multi and sectional view dgs. Y14.5M Dimensioning and tolerancing
<b>TOLERANCES NOT SPECIFIED</b> INCH		<b>AUTOCAD</b> REL2008 LT		<b>DO NOT SCALE DRAWING FOR DIMENSIONS</b> Sheet 1 of 2 SCALE 1:12
<b>CONFIDENTIAL DISCLOSURE</b> This drawing is the property of POWEREX, INC. of the SCOTT FELTZER COMPANY and subject to return on demand. Its contents are confidential and must not be copied or submitted to outside parties for use or examination.		DRAWN BY AEK	CHECKED BY GES	APPROVED BY ENGINEERING MFG/MKTG DMS RJR
<b>MATERIAL</b> N/A		DATE 9/19/11	DATE 9/19/11	DATE 9/19/11
<b>PART NAME</b> QUADPLEX DILLESS RECIP 7.5HP 240GAL BASEMOUNT DUPLEX DESICCANT		<b>POWEREX</b> 150 PRODUCTION DRIVE, HARRISON, OHIO 45030 Ph: 888-769-7979 FAX: (513) 367-3125		DWG NO MPQ0608X5

REV	ZONE	REVISION	DATE	ECN	NAME	CHKD
C-1	ALL	ADDED PBM1 SHEETS	9/19/11	22609	AEK	GES
D-1	2 ALL	ADDED/UPDATED FLEX LINES	12/12/13	PXEC0030	AEK	GES
E-1	1 ALL	UPDATED DRYER OUTLET ORIENTATION AND REMOVED AFTER COOLER BRACKETS	04/01/15	PXEC0100	MJD	GES
F-1	1 ALL	CHANGED TO NEW BG DESIGN	7/14/16	PXEC0130	AEK	GES



	RELIEF VALVE		PRESSURE SWITCH
	INTAKE FILTER		REGULATOR
	AIR FILTER		SEPARATOR
	3 WAY VALVE		CHECK VALVE
	CARBON FILTER		FLEX LINE
	BALL VALVE		HIGH TEMP SWITCH
	SOLENOID VALVE		UNION

- NOTES:
- 1) IF LAG 3 COMPRESSOR IS ENERGIZED ALARM WILL OCCUR.
  - 2) PIPING TO THE INLET BY OTHERS AND TO BE PER NFPA99
  - 3) INSTRUMENTS DOWN STREAM OF SOURCE VALVE TO BE SUPPLIED BY OTHERS.

SYMBOL LEGEND ⊖ = MINUS DRAFT ⊕ = PLUS DRAFT TOLERANCES NOT SPECIFIED .XX ± .XXX ± <math>\angle</math> (DEG.) ±		= ADDITIONAL CONTROL REQ'D = BRINELL HARDNESS	Drawings to conform to the current revision of the following ANSI standards Y14.3 Multi and sectional view dgs. Y14.5M Dimensioning and tolerancing
AUTOCAD REL2008 LT INCH		DO NOT SCALE DRAWING FOR DIMENSIONS Sheet 2 of 2 SCALE 1:12	
CONFIDENTIAL DISCLOSURE This drawing is the property of POWEREX, INC. OF THE SCOTT FETZER COMPANY and subject to return on demand. Its contents are confidential and must not be copied or submitted to outside parties for use or examination.		DRAWN BY AEK	CHECKED BY GES
MATERIAL N/A		APPROVED BY DMS	MFG/MKTG RJR
PART NAME QUAD RECIP MED PACKAGE FLOW SCHEMATIC		 150 PRODUCTION DRIVE, HARRISON, OHIO 45030 Ph: 888-769-7979 FAX: (513) 367-3125	
DWG NO MPQ0608X5		SIZE D	