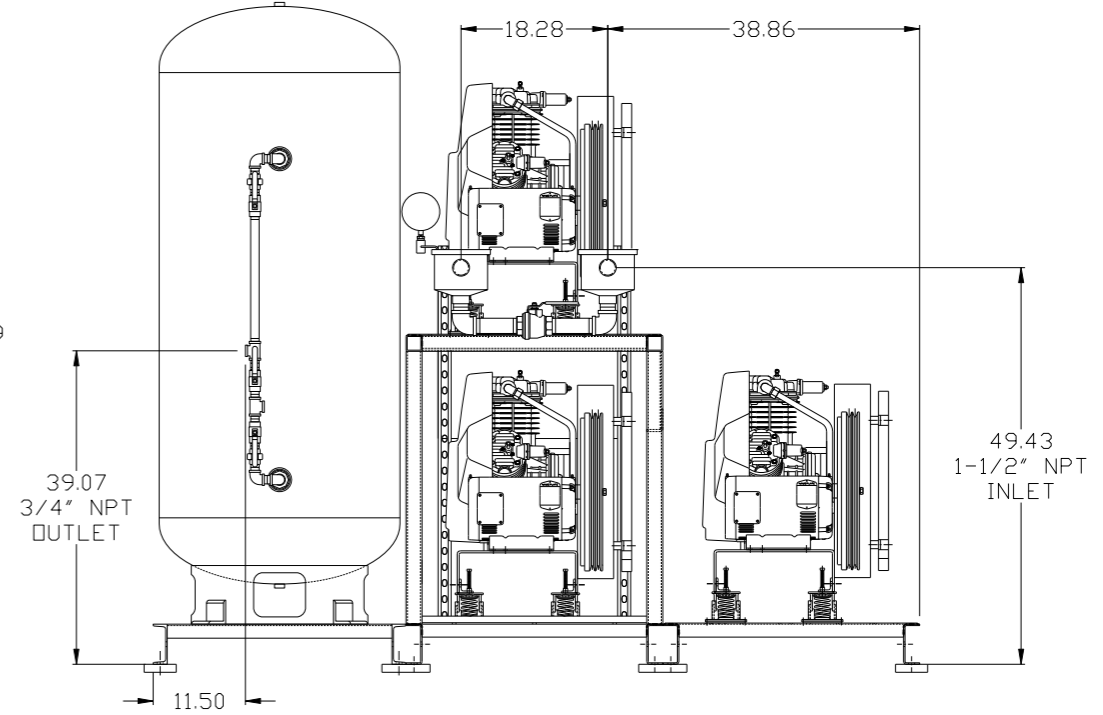
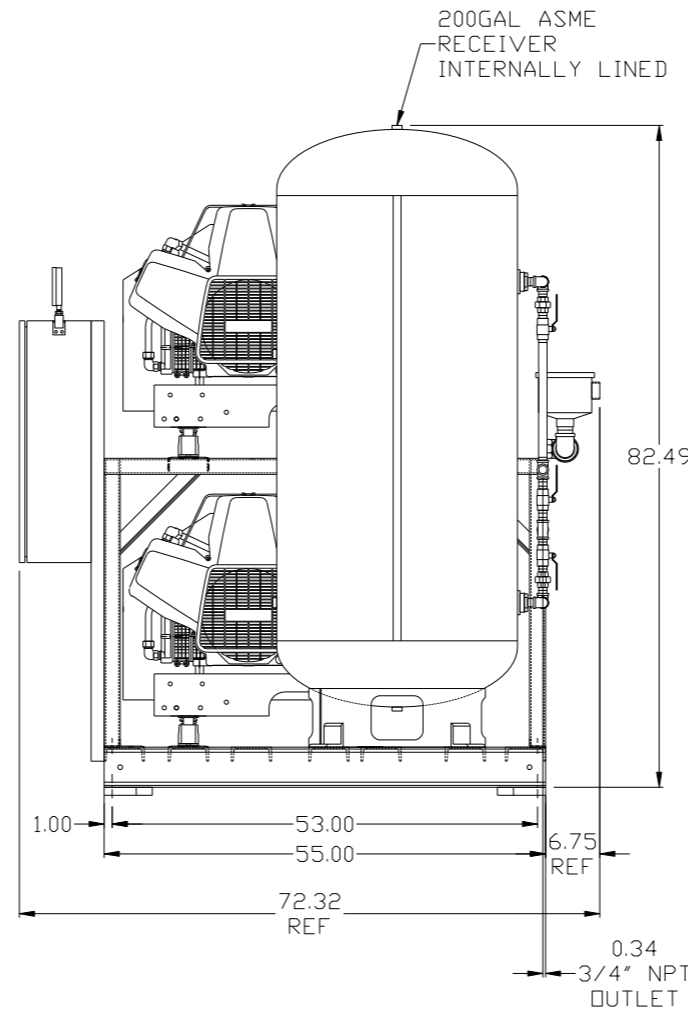
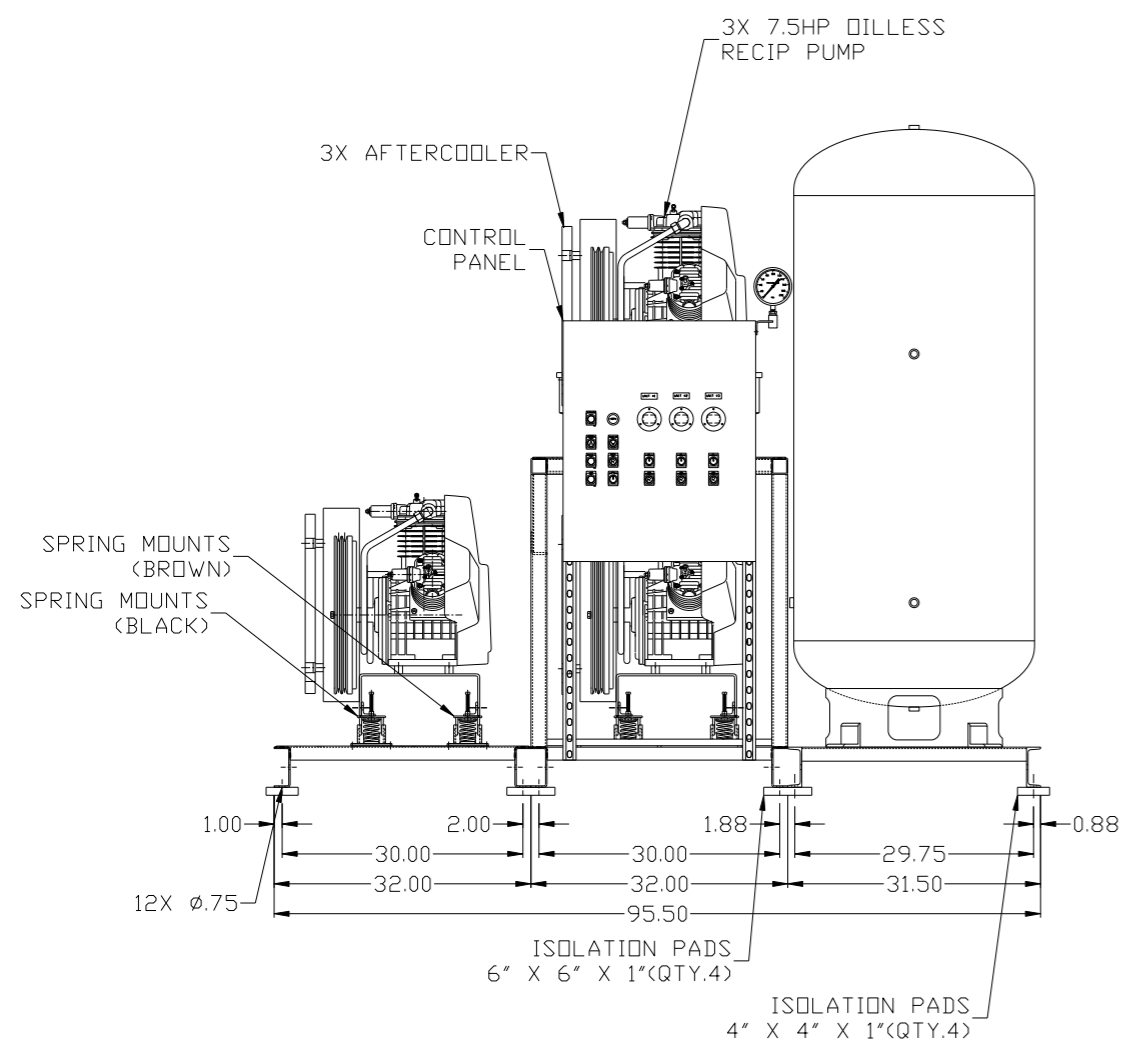


REV	ZONE	REVISION	DATE	ECN	NAME	CHKD
B-1	ALL	RELEASE TO PRODUCTION	2/2/10	22347	AEK	GES
C-1	1 ALL	UPDATED PUMP FRAMES	4/15/10	22407	AEK	GES
D-1	1 BB	UPDATED SPRING ISOLATOR CALLOUT	11/22/10	22348	AEK	GES
E-1	1 BB	UPDATED SPRING ISOLATOR CALLOUT	5/20/11	22546	GES	DMS
F-1	2 B4	MOVED PRESSURE SENSING LINE	02/09/16	PXEC0133	MJD	AEK
G-1	2 B7-D7	CHANGED 3/4" TO 1-1/4"	8/28/17	PXEC0187	AEK	KMB
H-1	1 BB	CHANGED REAR SPRING MOUNTS TO BLACK	5/4/18	PXEC0232	MAH	GES

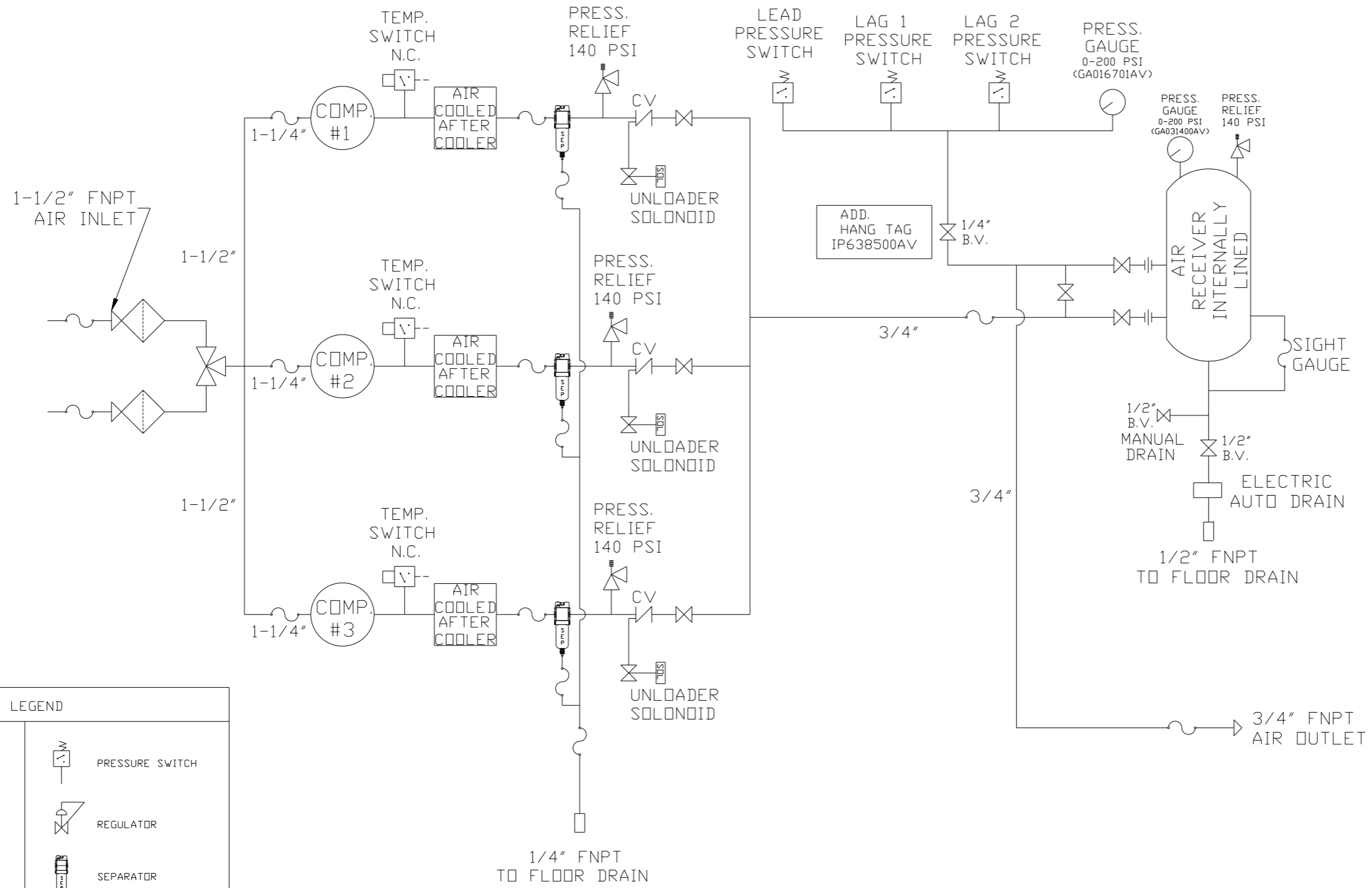


NOTE: A MINIMUM OF 24" CLEARANCE IS RECOMMENDED AROUND THE ENTIRE UNIT.

NOTE: SYSTEM DESIGNED IN COMPLIANCE WITH U.S. NFPA '99, LATEST EDITION.

SYMBOL LEGEND		= ADDITIONAL CONTROL REQ'D		Drawings to conform to the current revision of the following ANSI standards:	
⊖	MINUS DRAFT	⊕	PLUS DRAFT	⊖	BRINELL HARDNESS
TOLERANCES NOT SPECIFIED		AUTOCAD REL2008 LT		DO NOT SCALE DRAWING FOR DIMENSIONS	
.XX ±		INCH		Sheet 1 of 2	SCALE 1:12
.XXX ±		CONFIDENTIAL DISCLOSURE		This drawing is the property of POWEREX, INC. of the SCOTT FETZER COMPANY and subject to return on demand. Its contents are confidential and must not be copied or submitted to outside parties for use or examination.	
<< DEG >> ±		DRAWN BY	CHECKED BY	APPROVED BY	DATE
		AEK	GES	DMS	DFG
		2/2/10	2/2/10	2/2/10	2/2/10
MATERIAL		N/A		 150 PRODUCTION DRIVE, HARRISON, OHIO 45030 Ph: 888-769-7979 FAX: (513) 367-3125	
PART NAME		TRIPLEX OILLESS RECIP. 7.5HP BASEMOUNT 200 GAL PACKAGE		DWG NO	SIZE
				MPT0758X2	D

REV	ZONE	REVISION	DATE	ECN	NAME	CHKD
B-1	ALL	RELEASE TO PRODUCTION	2/2/10	22347	AEK	GES
C-1	1 ALL	UPDATED PUMP FRAMES	4/15/10	22407	AEK	GES
D-1	1 BB	UPDATED SPRING ISOLATOR CALLOUT	11/22/10	22348	AEK	GES
E-1	1 BB	UPDATED SPRING ISOLATOR CALLOUT	5/20/11	22546	GES	DMS
F-1	2 B4	MOVED PRESSURE SENSING LINE	02/09/16	PXEC0133	MJD	AEK
G-1	2 B7-D7	CHANGED 3/4" TO 1-1/4"	8/28/17	PXEC0187	AEK	KMB
H-1	1 BB	CHANGED REAR SPRING MOUNTS TO BLACK	5/4/18	PXEC0232	MAH	GES



LEGEND	
	RELIEF VALVE
	INTAKE FILTER
	AIR FILTER
	3 WAY VALVE
	CARBON FILTER
	BALL VALVE
	SOLENOID VALVE
	PRESSURE SWITCH
	REGULATOR
	SEPARATOR
	CHECK VALVE
	FLEX LINE
	HIGH TEMP SWITCH
	UNION

- NOTES:
- 1) IF LAG 2 COMPRESSOR IS ENERGIZED ALARM WILL OCCUR.
 - 2) PIPING TO THE INLET BY OTHERS AND TO BE PER NFPA99
 - 3) INSTRUMENTS DOWN STREAM OF SOURCE VALVE TO BE SUPPLIED BY OTHERS.

SYMBOL LEGEND ⊖ = MINUS DRAFT ⊕ = PLUS DRAFT		⊕ = ADDITIONAL CONTROL REQ'D HRC = BRINELL HARDNESS		Drawings to conform to the current revision of the following ANSI standards: Y14.3 Multi and sectional view dings Y14.5M Dimensioning and tolerancing	
TOLERANCES NOT SPECIFIED .XX ± .XXX ± << DEG > ±		AUTOCAD REL2008 LT INCH		DO NOT SCALE DRAWING FOR DIMENSIONS Sheet 2 of 2 SCALE 1:12	
CONFIDENTIAL DISCLOSURE This drawing is the property of POWEREX, INC. of the SCOTT FETZER COMPANY and subject to return on demand. Its contents are confidential and must not be copied or submitted to outside parties for use or examination.					
DRAWN BY AEK		CHECKED BY GES		APPROVED BY ENGINEERING MFG/MKTG DMS DFG	
MATERIAL N/A		 150 PRODUCTION DRIVE, HARRISON, OHIO 45030 Ph: 888-769-7979 FAX: (513) 367-3125		PART NAME TRIPLEX OILLESS RECIP. BASEMOUNT PACKAGE FLOW SCHEMATIC	
DWG NO MPT0758X2				SIZE D	