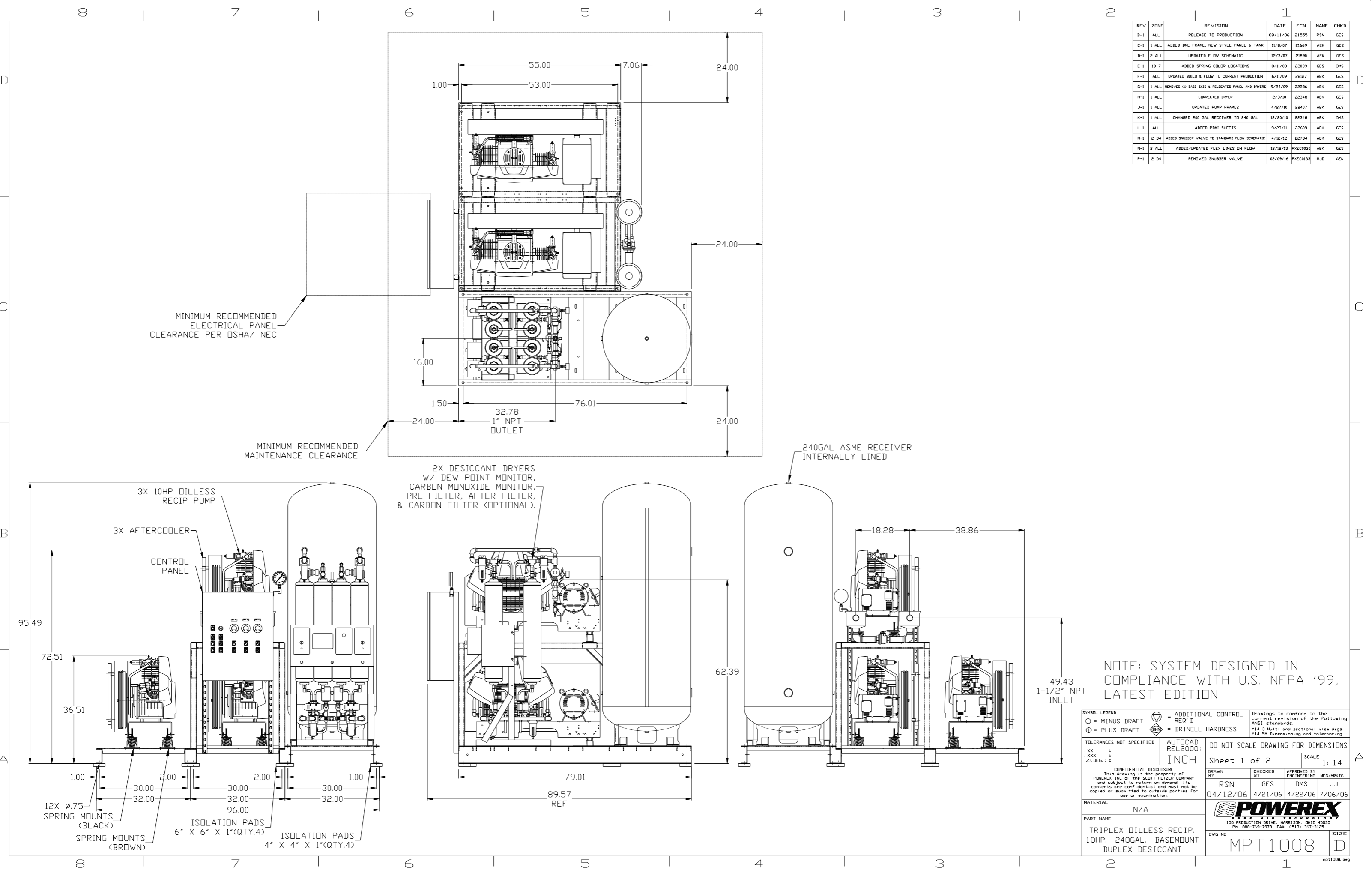
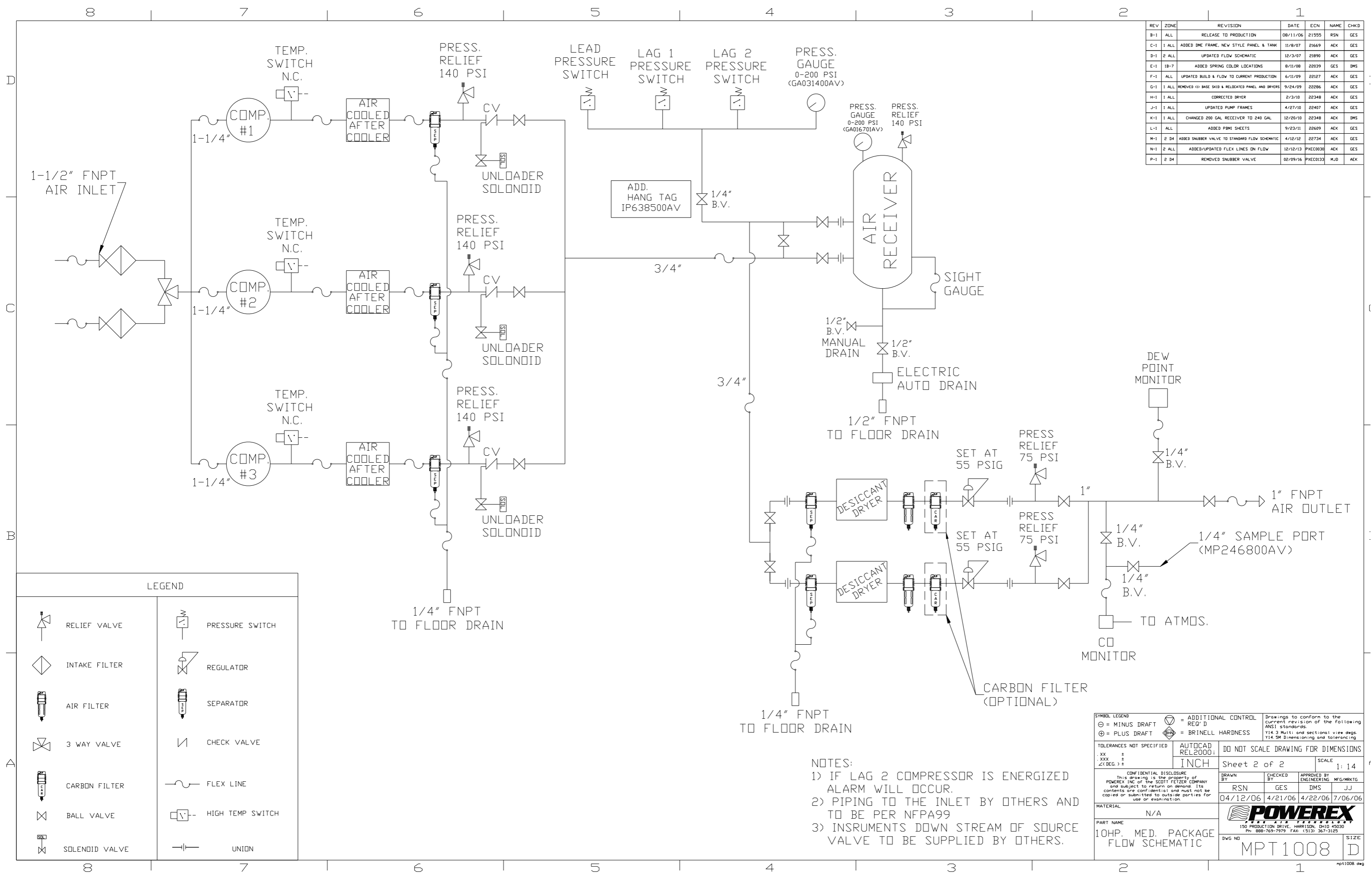


REV	ZONE	REVISION	DATE	ECN	NAME	CHKD
B-1	ALL	RELEASE TO PRODUCTION	08/11/06	21555	RSN	GES
C-1	1 ALL	ADDED DME FRAME, NEW STYLE PANEL & TANK	11/8/07	21669	AEK	GES
D-1	2 ALL	UPDATED FLOW SCHEMATIC	12/3/07	21890	AEK	GES
E-1	1B-7	ADDED SPRING COLOR LOCATIONS	8/11/08	22039	GES	DMS
F-1	ALL	UPDATED BUILD & FLOW TO CURRENT PRODUCTION	6/11/09	22127	AEK	GES
G-1	1 ALL	REMOVED (1) BASE SKID & RELOCATED PANEL AND DRYERS	9/24/09	22286	AEK	GES
H-1	1 ALL	CORRECTED DRYER	2/3/10	22348	AEK	GES
J-1	1 ALL	UPDATED PUMP FRAMES	4/27/10	22407	AEK	GES
K-1	1 ALL	CHANGED 200 GAL RECEIVER TO 240 GAL	12/20/10	22348	AEK	DMS
L-1	ALL	ADDED P&ID SHEETS	9/23/11	22609	AEK	GES
M-1	2 D4	ADDED SNUBBER VALVE TO STANDARD FLOW SCHEMATIC	4/12/12	22734	AEK	GES
N-1	2 ALL	ADDED/UPDATED FLEX LINES ON FLOW	12/12/13	PXEC0030	AEK	GES
P-1	2 D4	REMOVED SNUBBER VALVE	02/09/16	PXEC0133	MJD	AEK



NOTE: SYSTEM DESIGNED IN COMPLIANCE WITH U.S. NFPA '99, LATEST EDITION

SYMBOL LEGEND ⊖ = MINUS DRAFT ⊕ = PLUS DRAFT ⊕ = ADDITIONAL CONTROL REQ'D ⊕ = BRINELL HARDNESS		Drawings to conform to the current revision of the following ANSI standards: Y14.3 Multi and sectional view dgs. Y14.5M Dimensioning and tolerancing	
TOLERANCES NOT SPECIFIED .XX ± .XXX ± \angle (DEG) ±		AUTOCAD REL2000: INCH	
CONFIDENTIAL DISCLOSURE This drawing is the property of POWEREX, INC. of the SCOTT FELTZER COMPANY and subject to return on demand. Its contents are confidential and must not be copied or submitted to outside parties for use or examination.		DO NOT SCALE DRAWING FOR DIMENSIONS Sheet 1 of 2 SCALE 1:14	
DRAWN BY: RSN CHECKED BY: GES APPROVED BY: ENGINEERING MFG/MKTG: DMS JJ 04/12/06 4/21/06 4/22/06 7/06/06		POWEREX 150 PRODUCTION DRIVE, HARRISON, OHIO 45030 Ph: 888-769-7979 Fax: (513) 367-3125	
MATERIAL: N/A		TRIPLEX OILLESS RECIP. 10HP. 240GAL. BASEMOUNT DUPLEX DESICCANT DWG NO: MPT1008 SIZE: D	



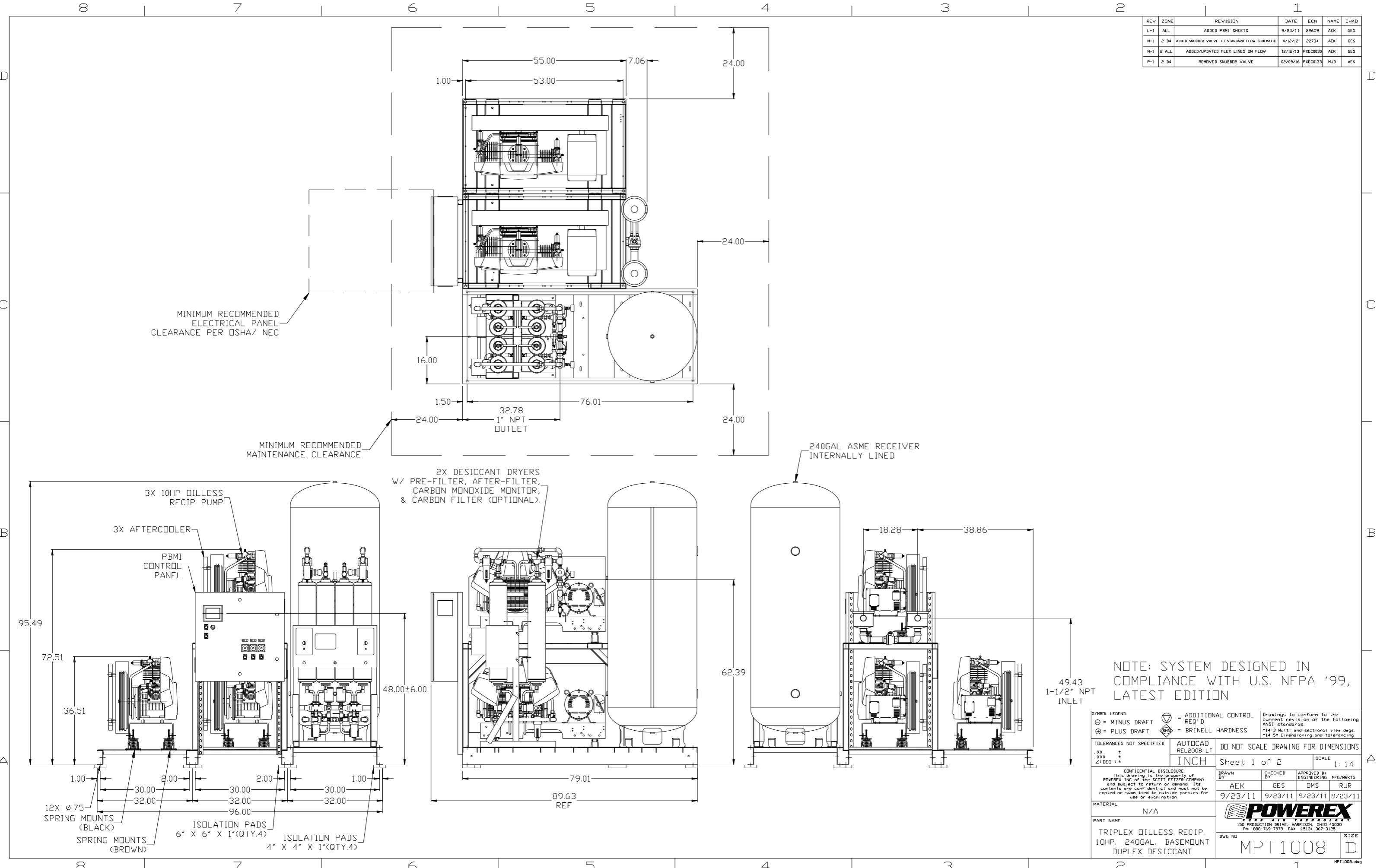
REV	ZONE	REVISION	DATE	ECN	NAME	CHKD
B-1	ALL	RELEASE TO PRODUCTION	08/11/06	21555	RSN	GES
C-1	1 ALL	ADDED DME FRAME, NEW STYLE PANEL & TANK	11/8/07	21669	AEX	GES
D-1	2 ALL	UPDATED FLOW SCHEMATIC	12/3/07	21890	AEX	GES
E-1	1B-7	ADDED SPRING COLOR LOCATIONS	8/11/08	22839	GES	DMS
F-1	ALL	UPDATED BUILD & FLOW TO CURRENT PRODUCTION	6/11/09	22127	AEX	GES
G-1	1 ALL	REMOVED (1) BASE SHD & RELOCATED PANEL AND DRYERS	9/24/09	22286	AEX	GES
H-1	1 ALL	CORRECTED DRYER	2/3/10	22348	AEX	GES
J-1	1 ALL	UPDATED PUMP FRAMES	4/27/10	22407	AEX	GES
K-1	1 ALL	CHANGED 200 GAL RECEIVER TO 240 GAL	12/20/10	22348	AEX	DMS
L-1	ALL	ADDED P&ID SHEETS	9/23/11	22609	AEX	GES
M-1	2 D4	ADDED SNUBBER VALVE TO STANDARD FLOW SCHEMATIC	4/12/12	22734	AEX	GES
N-1	2 ALL	ADDED/UPDATED FLEX LINES ON FLOW	12/12/13	PXEC0030	AEX	GES
P-1	2 D4	REMOVED SNUBBER VALVE	02/09/16	PXEC0133	MJD	AEX

LEGEND	
	RELIEF VALVE
	INTAKE FILTER
	AIR FILTER
	3 WAY VALVE
	CARBON FILTER
	BALL VALVE
	SOLENOID VALVE
	PRESSURE SWITCH
	REGULATOR
	SEPARATOR
	CHECK VALVE
	FLEX LINE
	HIGH TEMP SWITCH
	UNION

- NOTES:
- 1) IF LAG 2 COMPRESSOR IS ENERGIZED ALARM WILL OCCUR.
 - 2) PIPING TO THE INLET BY OTHERS AND TO BE PER NFPA99
 - 3) INSTRUMENTS DOWN STREAM OF SOURCE VALVE TO BE SUPPLIED BY OTHERS.

SYMBOL LEGEND			= ADDITIONAL CONTROL REQ'D	Drawings to conform to the current revision of the following ANSI standards:
	= MINUS DRAFT		= BRINELL HARDNESS	Y14.3 Multi and sectional view dngs. Y14.5M Dimensioning and tolerancing
TOLERANCES NOT SPECIFIED		AUTOCAD REL2000;	DO NOT SCALE DRAWING FOR DIMENSIONS	
.XX ±		INCH	Sheet 2 of 2	SCALE 1:14
.XXX ±				
<DEG> ±				
CONFIDENTIAL DISCLOSURE		This drawing is the property of POWEREX INC. of the SCOTT FETZER COMPANY and subject to return on demand. Its contents are confidential and must not be copied or submitted to outside parties for use or examination.		
DRAWN BY	CHECKED BY	APPROVED BY	MFG/MRKTG	
RSN	GES	DMS	JJ	
04/12/06	4/21/06	4/22/06	7/06/06	
MATERIAL		N/A		
PART NAME		10HP. MED. PACKAGE FLOW SCHEMATIC		
DWG NO		MPT1008		
SIZE		D		

REV	ZONE	REVISION	DATE	ECN	NAME	CHKD
L-1	ALL	ADDED PBMI SHEETS	9/23/11	22609	AEK	GES
M-1	2 D4	ADDED SNUBBER VALVE TO STANDARD FLOW SCHEMATIC	4/12/12	22734	AEK	GES
N-1	2 ALL	ADDED/UPDATED FLEX LINES ON FLOW	12/12/13	PXEC0030	AEK	GES
P-1	2 D4	REMOVED SNUBBER VALVE	02/09/16	PXEC0133	MJD	AEK



SYMBOL LEGEND

⊖ = MINUS DRAFT ⊕ = PLUS DRAFT

⊕ = ADDITIONAL CONTROL REQ'D

⊕ = BRINELL HARDNESS

TOLERANCES NOT SPECIFIED: .XX ±, .XXX ±, \angle (DEG) ±

AUTOCAD REL2008 LT

DO NOT SCALE DRAWING FOR DIMENSIONS

Sheet 1 of 2

SCALE: 1:14

CONFIDENTIAL DISCLOSURE: This drawing is the property of POWEREX, INC. of the SCOTT FELTZER COMPANY and subject to return on demand. Its contents are confidential and must not be copied or submitted to outside parties for use or examination.

DRAWN BY: AEK

CHECKED BY: GES

APPROVED BY: ENGINEERING MFG/MKTG: DMS, RJR

9/23/11 9/23/11 9/23/11 9/23/11

MATERIAL: N/A

PART NAME: TRIPLEX OILLESS RECIP. 10HP. 240GAL. BASEMOUNT DUPLEX DESICCANT

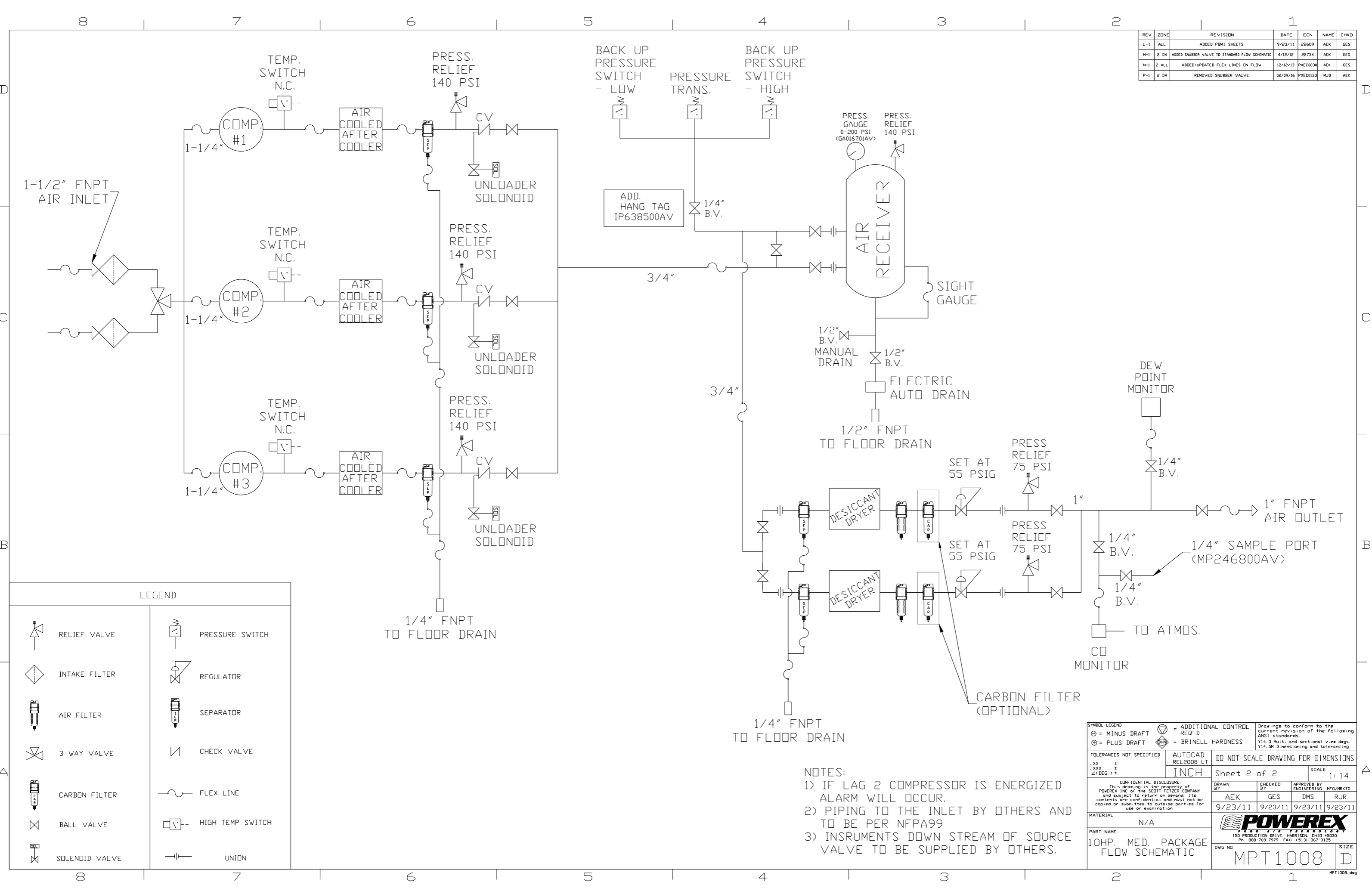
DWG NO: MPT1008

SIZE: D

POWEREX
150 PRODUCTION DRIVE, HARRISON, OHIO 45030
Ph: 888-769-7979 FAX: (513) 367-3125

MPT1008.dwg

REV	ZONE	REVISION	DATE	ECN	NAME	CHKD
L-1	ALL	ADDED PBM1 SHEETS	9/23/11	22609	AEK	GES
M-1	2 D4	ADDED SNUBBER VALVE TO STANDARD FLOW SCHEMATIC	4/12/12	22734	AEK	GES
N-1	2 ALL	ADDED/UPDATED FLEX LINES ON FLOW	12/12/13	PXEC0030	AEK	GES
P-1	2 D4	REMOVED SNUBBER VALVE	02/09/16	PXEC0133	MJD	AEK



LEGEND	
	RELIEF VALVE
	INTAKE FILTER
	AIR FILTER
	3 WAY VALVE
	CARBON FILTER
	BALL VALVE
	SOLENOID VALVE
	PRESSURE SWITCH
	REGULATOR
	SEPARATOR
	CHECK VALVE
	FLEX LINE
	HIGH TEMP SWITCH
	UNION

- NOTES:
- 1) IF LAG 2 COMPRESSOR IS ENERGIZED ALARM WILL OCCUR.
 - 2) PIPING TO THE INLET BY OTHERS AND TO BE PER NFPA99
 - 3) INSTRUMENTS DOWN STREAM OF SOURCE VALVE TO BE SUPPLIED BY OTHERS.

SYMBOL LEGEND ⊖ = MINUS DRAFT ⊕ = PLUS DRAFT ⊕ = BRINELL HARDNESS		= ADDITIONAL CONTROL REQ'D = BRINELL HARDNESS		Drawings to conform to the current revision of the following ANSI standards: Y14.3 Multi and sectional view dgs. Y14.5M Dimensioning and tolerancing					
TOLERANCES NOT SPECIFIED .XX ± .XXX ± <<DEG> ±		AUTOCAD REL2008 LT INCH		DO NOT SCALE DRAWING FOR DIMENSIONS Sheet 2 of 2 SCALE 1:14					
CONFIDENTIAL DISCLOSURE This drawing is the property of POWEREX, INC. OF THE SCOTT FETZER COMPANY and subject to return on demand. Its contents are confidential and must not be copied or submitted to outside parties for use or examination.									
MATERIAL N/A		DRAWN BY AEK 9/23/11		CHECKED BY GES 9/23/11		APPROVED BY ENGINEERING DMS 9/23/11		MFG/MKTG RJR 9/23/11	
PART NAME 10HP. MED. PACKAGE FLOW SCHEMATIC		 150 PRODUCTION DRIVE, HARRISON, OHIO 45030 Ph: 888-769-7979 FAX: (513) 367-3125		DVG NO MPT1008		SIZE D		MPT1008.dwg	