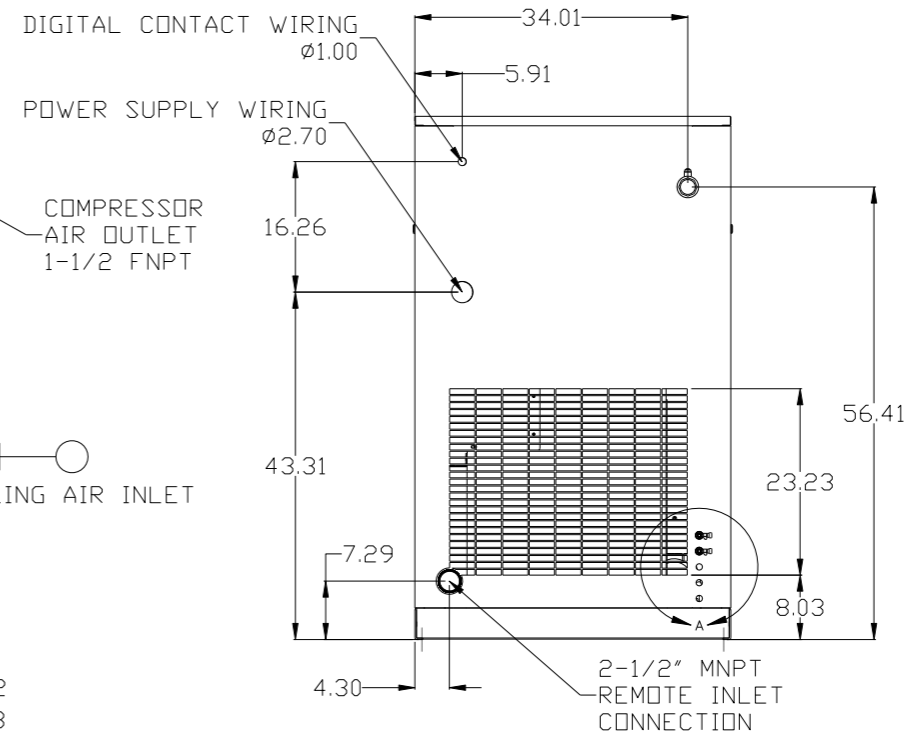
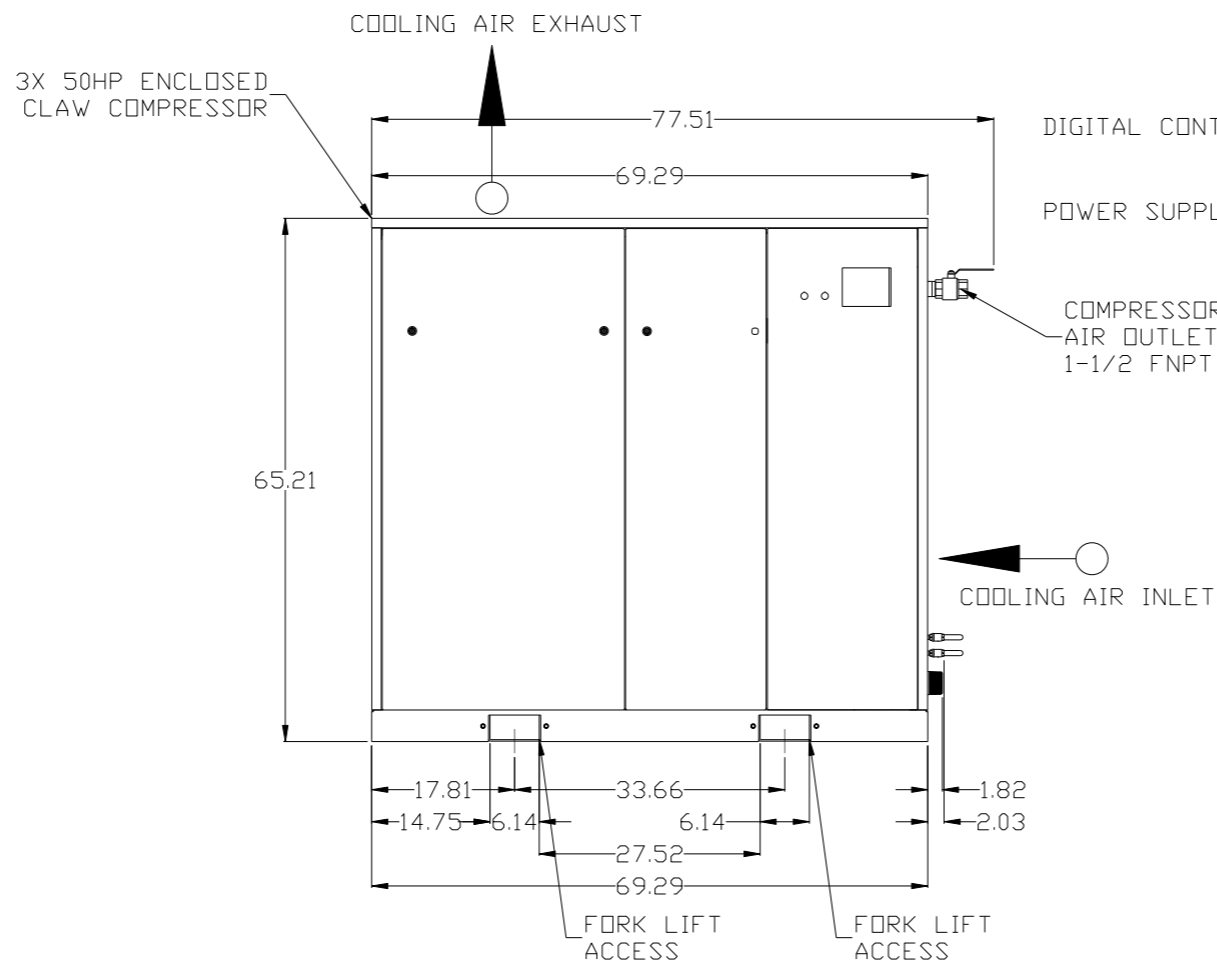
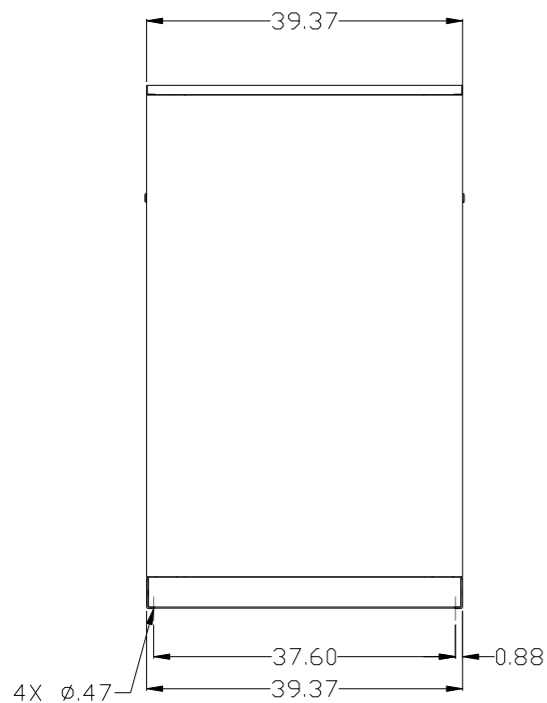
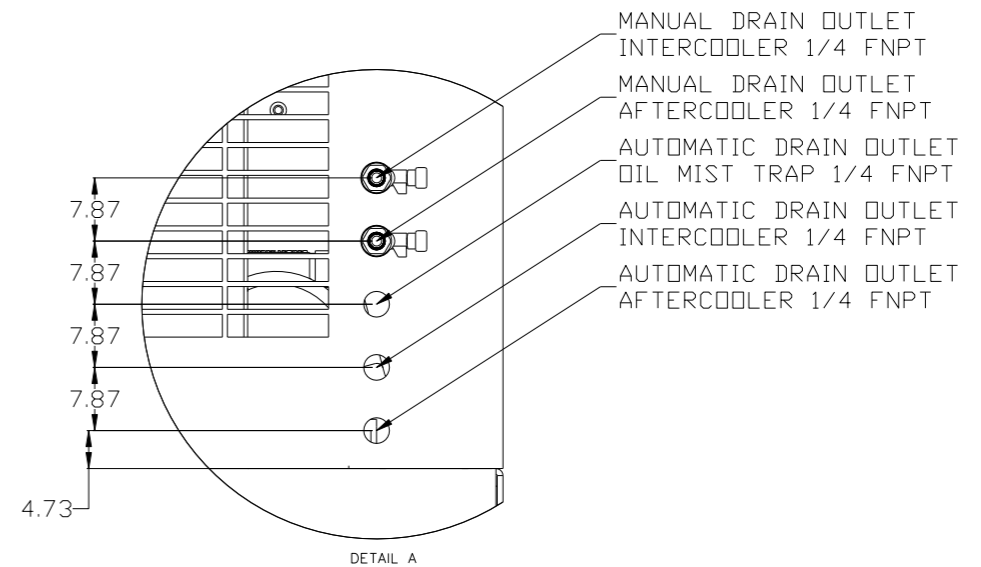
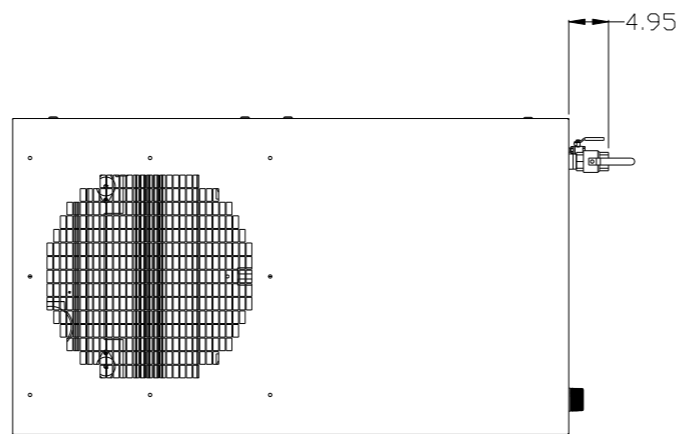


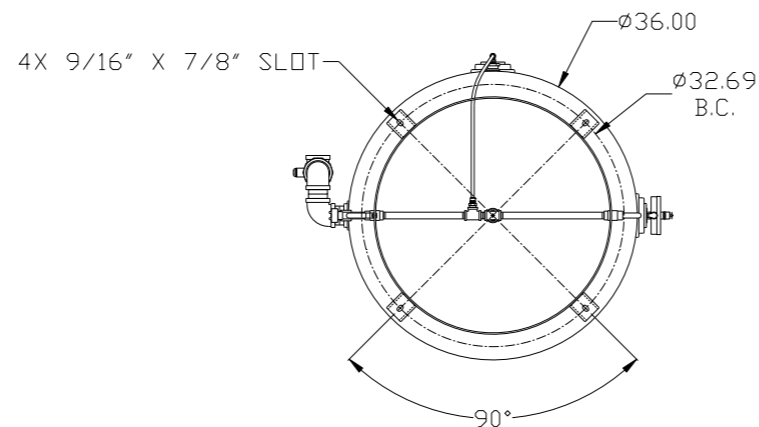
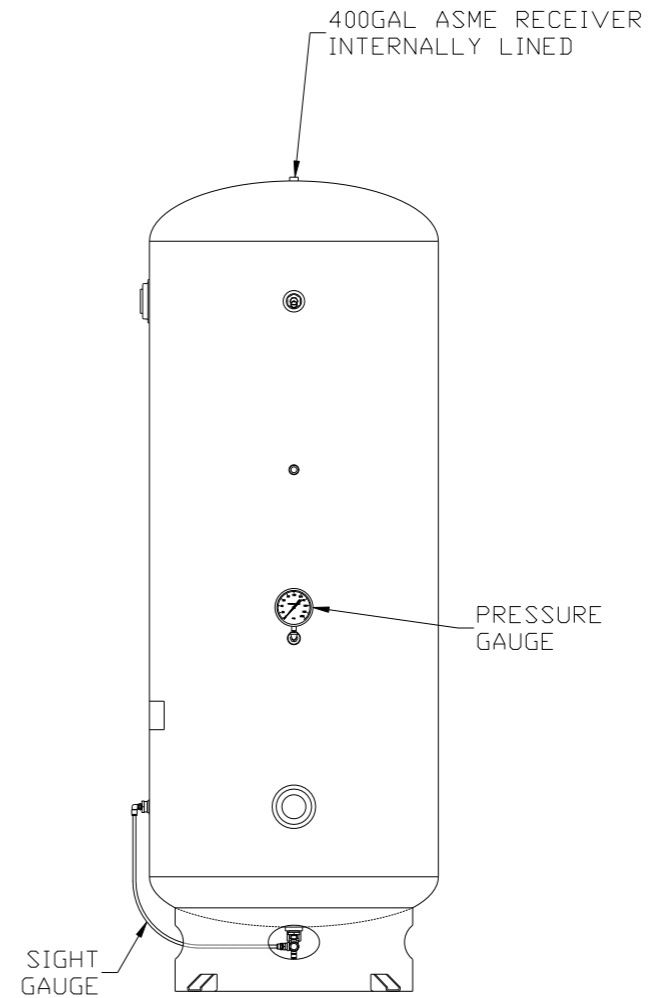
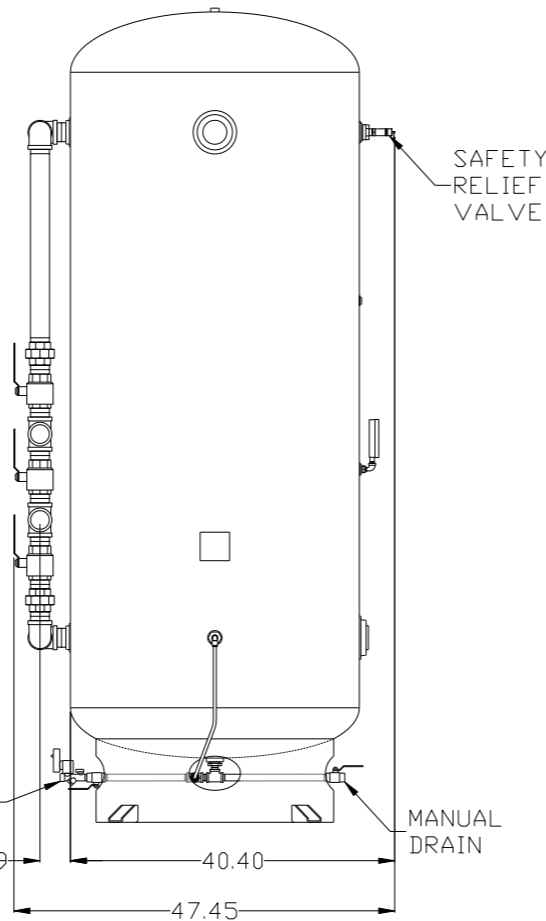
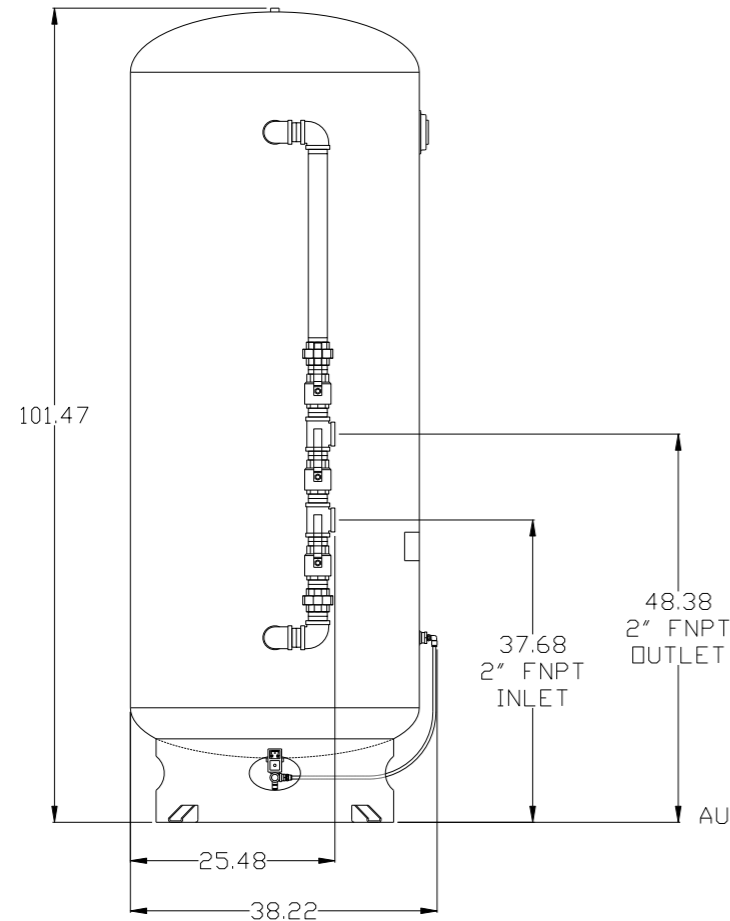
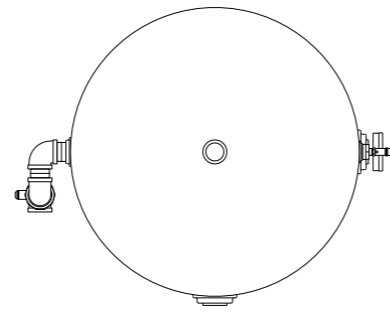
REV	ZONE	REVISION	DATE	ECN	NAME	CHKD
A-1	ALL	RELEASE FOR APPROVAL	6/29/15	PKEC0092	AEK	GES
B-1	ALL	RELEASE TO PRODUCTION	1/29/16	PKEC0141	AEK	GES
C-1	3S ALL	UPDATED TO HAND NDL DRYERS	8/10/17	PKEC0174	AEK	GES
D-1	ALL	ADDED INDIVIDUAL COMPONENT WEIGHTS	4/30/18	PKEC0229	GES	DMS



ENCLOSURE WEIGHT EACH: 2940 LBS

SYMBOL LEGEND ⊖ = MINUS DRAFT ⊕ = PLUS DRAFT \angle (DEG) ±		= ADDITIONAL CONTROL REQ'D = BRINELL HARDNESS		Drawings to conform to the current revision of the following ANSI standards: Y14.3 Multi and sectional view dgs. Y14.5M Dimensioning and tolerancing
TOLERANCES NOT SPECIFIED .XX ± .XXX ± \angle (DEG) ±		AUTOCAD REL2014 LT INCH		DO NOT SCALE DRAWING FOR DIMENSIONS Sheet 1 of 5 SCALE 1:12
CONFIDENTIAL DISCLOSURE This drawing is the property of POWEREX, INC. or the SCOTT FEITZER COMPANY and subject to return on demand. Its contents are confidential and must not be copied or submitted to outside parties for use or examination.				
MATERIAL N/A		DRAWN BY AEK		CHECKED BY GES
PART NAME 50HP CLAW ENCLOSED COMPRESSOR TRIPLEX		APPROVED BY KMD		ENGINEERING MFG/MRKTG JJ
400GAL DUAL DESICCANT PACKAGE		DATE 6/29/15		DATE 6/29/15
DWG NO MTRC0507		DATE 6/29/15		DATE 6/29/15
SIZE D		POWEREX 150 PRODUCTION DRIVE, HARRISON, OHIO 45030 Ph: 888-769-7979 FAX: (513) 367-3125		

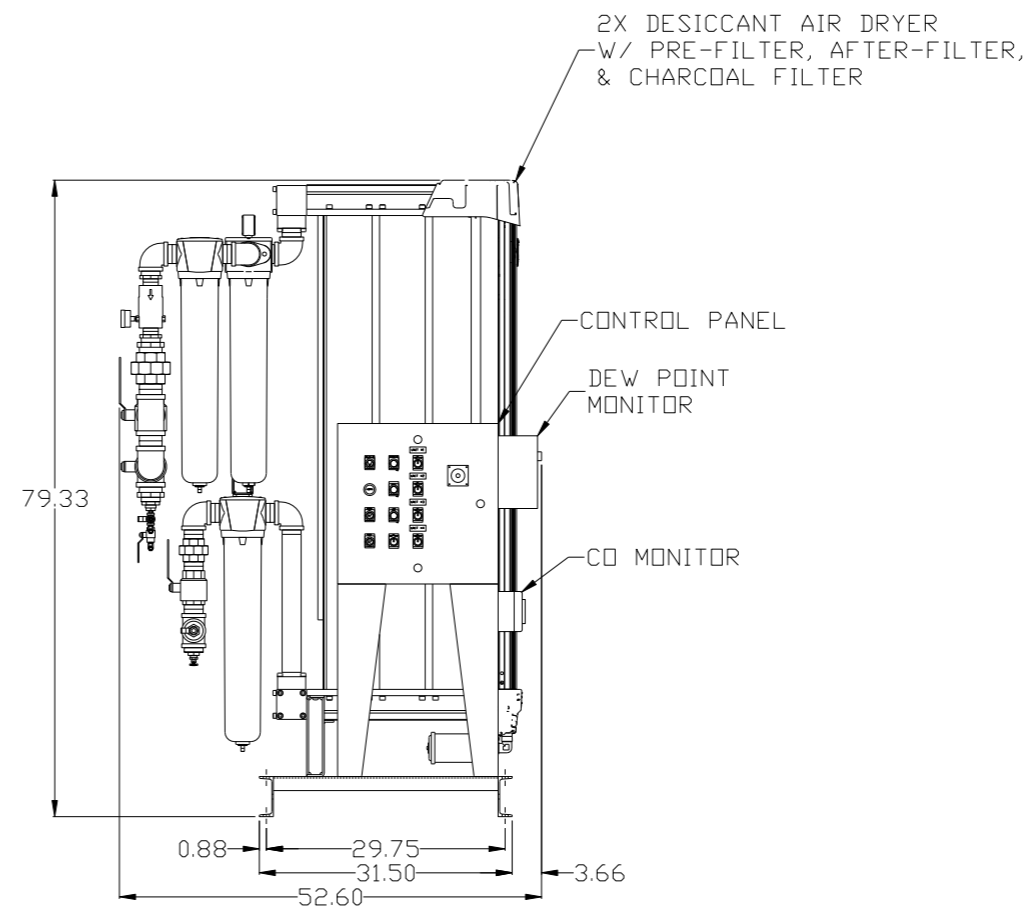
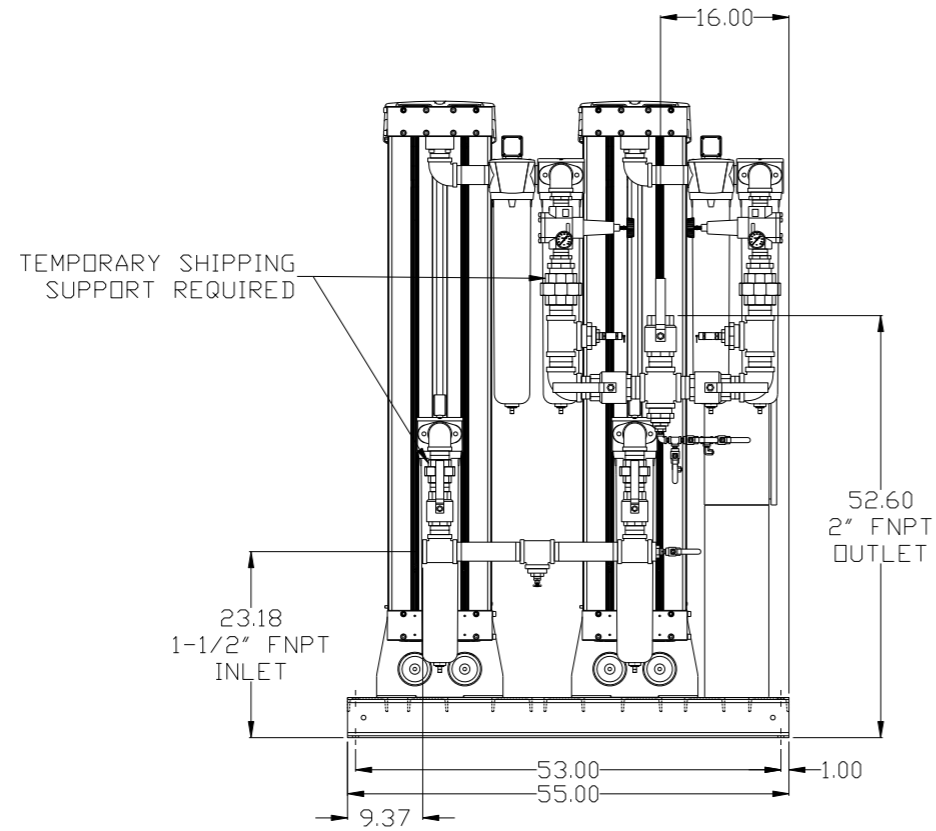
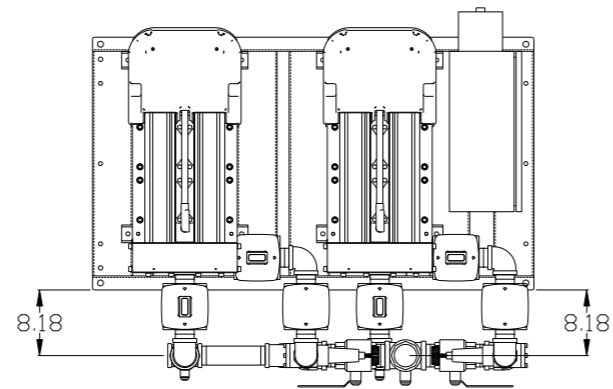
REV	ZONE	REVISION	DATE	ECN	NAME	CHKD
A-1	ALL	RELEASE FOR APPROVAL	6/29/15	PKEC0092	AEK	GES
B-1	ALL	RELEASE TO PRODUCTION	1/29/16	PKEC0141	AEK	GES
C-1	3.5 ALL	UPDATED TO HAND NDL DRYERS	8/10/17	PKEC0174	AEK	GES
D-1	ALL	ADDED INDIVIDUAL COMPONENT WEIGHTS	4/30/18	PKEC0229	GES	DMS



400 GALLON TANK WEIGHT: 740 LBS

SYMBOL LEGEND ⊖ = MINUS DRAFT ⊕ = PLUS DRAFT ∅ = ADDITIONAL CONTROL REQ'D HRC = BRINELL HARDNESS		Drawings to conform to the current revision of the following ANSI standards: Y14.3 Multi and sectional view dsgs. Y14.5M Dimensioning and tolerancing	
TOLERANCES NOT SPECIFIED .XX ± .XXX ± << DEG >> ±		AUTOCAD REL2014 LT INCH DO NOT SCALE DRAWING FOR DIMENSIONS Sheet 2 of 5 SCALE 1:12	
CONFIDENTIAL DISCLOSURE This drawing is the property of POWEREX, INC. of the SCOTT FETZER COMPANY and subject to return on demand. Its contents are confidential and must not be copied or submitted to outside parties for use or examination.		DRAWN BY: AEK CHECKED BY: GES APPROVED BY: ENGINEERING MFG/MRKTG: KMD, JJ 6/29/15 6/29/15 6/29/15 6/29/15	
MATERIAL: N/A		 150 PRODUCTION DRIVE, HARRISON, OHIO 45030 Ph: 888-769-7979 FAX: (513) 367-3125	
PART NAME: SOHP CLAW ENCLOSED COMPRESSOR TRIPLEX 400GAL DUAL DESICCANT PACKAGE		DWG NO: MTRC0507 SIZE: D	

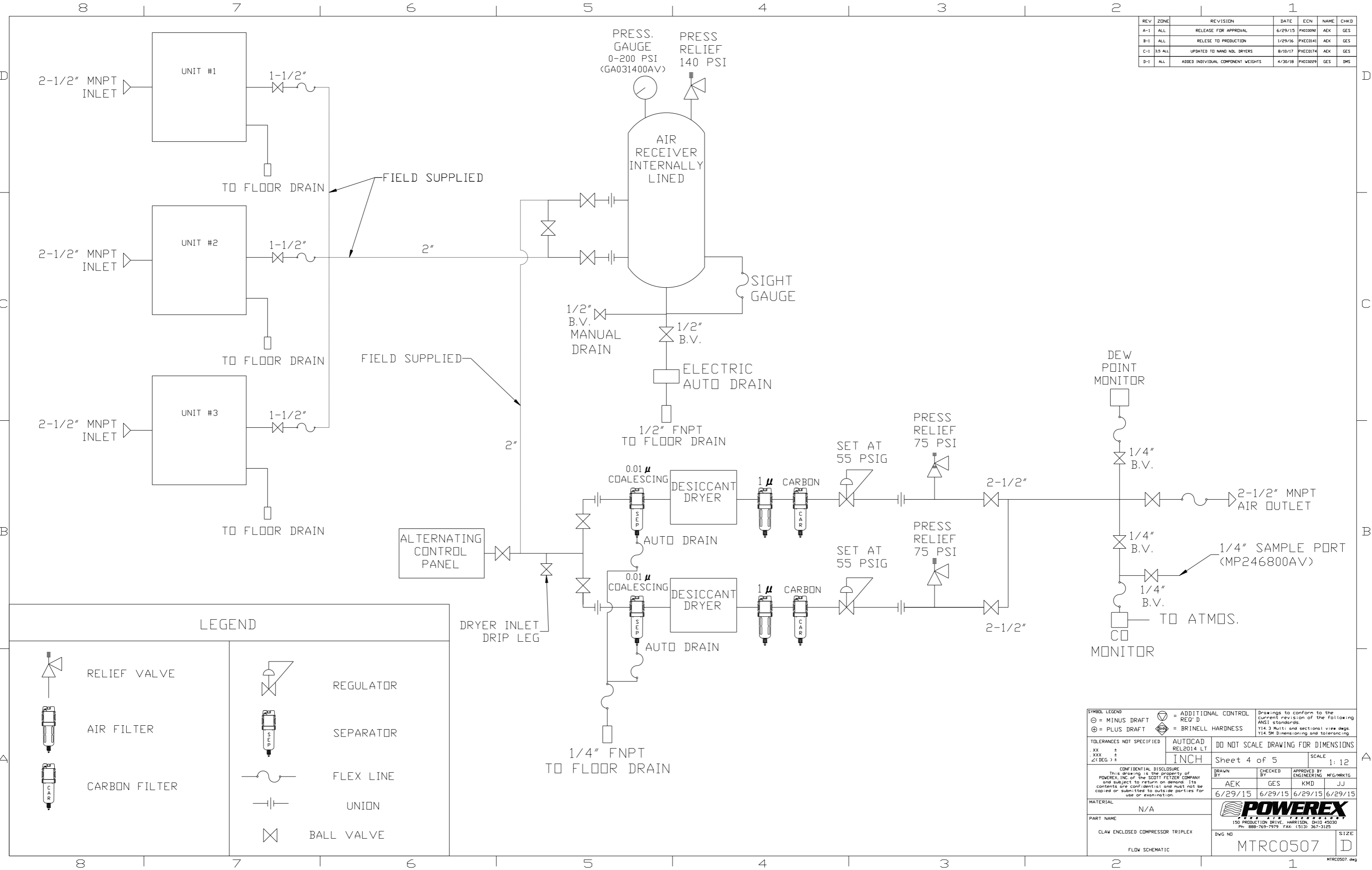
REV	ZONE	REVISION	DATE	ECN	NAME	CHKD
A-1	ALL	RELEASE FOR APPROVAL	6/29/15	PKEC0092	AEK	GES
B-1	ALL	RELEASE TO PRODUCTION	1/29/16	PKEC0141	AEK	GES
C-1	3.5 ALL	UPDATED TO HAND NDL DRYERS	8/10/17	PKEC0174	AEK	GES
D-1	ALL	ADDED INDIVIDUAL COMPONENT WEIGHTS	4/30/18	PKEC0229	GES	DMS



PURIFICATION SKID WEIGHT: 1935 LBS

SYMBOL LEGEND ⊖ = MINUS DRAFT ⊕ = PLUS DRAFT HRC = BRINELL HARDNESS		= ADDITIONAL CONTROL REQ'D = BRINELL HARDNESS		Drawings to conform to the current revision of the following ANSI standards: Y14.3 Multi and sectional view dgs. Y14.5M Dimensioning and tolerancing
TOLERANCES NOT SPECIFIED .XX ± .XXX ± << DEG > ±		AUTOCAD REL2014 LT INCH	DO NOT SCALE DRAWING FOR DIMENSIONS Sheet 3 of 5 SCALE 1:12	
CONFIDENTIAL DISCLOSURE This drawing is the property of POWEREX, INC. of the SCOTT FETZER COMPANY and subject to return on demand. Its contents are confidential and must not be copied or submitted to outside parties for use or examination.		DRAWN BY AEK	CHECKED BY GES	APPROVED BY KMD JJ
MATERIAL N/A		DATE 6/29/15	DATE 6/29/15	DATE 6/29/15
PART NAME SOHP CLAW ENCLOSED COMPRESSOR TRIPLEX 400GAL DUAL DESICCANT PACKAGE		 150 PRODUCTION DRIVE, HARRISON, OHIO 45030 Ph 888-769-7979 FAX (513) 367-3125		DWG NO MTRC0507 SIZE D

REV	ZONE	REVISION	DATE	ECN	NAME	CHKD
A-1	ALL	RELEASE FOR APPROVAL	6/29/15	PXEC0092	AEK	GES
B-1	ALL	RELEASE TO PRODUCTION	1/29/16	PXEC0141	AEK	GES
C-1	3-5	UPDATED TO HANO NDL DRYERS	8/18/17	PXEC0174	AEK	GES
D-1	ALL	ADDED INDIVIDUAL COMPONENT WEIGHTS	4/30/18	PXEC0229	GES	DMS

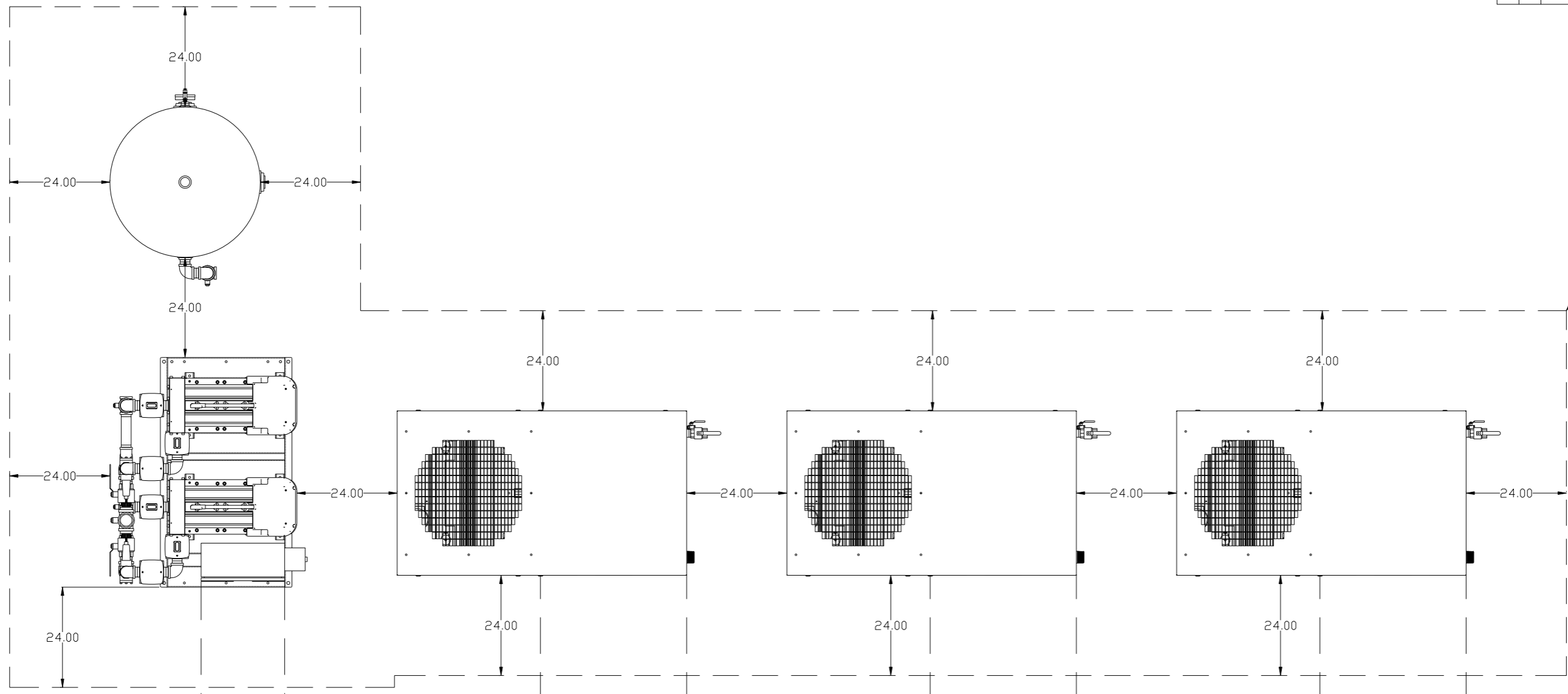


LEGEND

	RELIEF VALVE		REGULATOR
	AIR FILTER		SEPARATOR
	CARBON FILTER		FLEX LINE
			UNION
			BALL VALVE

SYMBOL LEGEND			ADDITIONAL CONTROL REQ'D	Drawings to conform to the current revision of the following ANSI standards:	
	MINUS DRAFT		BRINELL HARDNESS	Y14.3 Multi and sectional view dsgs. Y14.5M Dimensioning and tolerancing	
TOLERANCES NOT SPECIFIED		AUTOCAD REL2014 LT		DO NOT SCALE DRAWING FOR DIMENSIONS	
.XX ±		INCH		Sheet 4 of 5	SCALE 1:12
CONFIDENTIAL DISCLOSURE: This drawing is the property of POWEREX, INC. of the SCOTT FETZER COMPANY and subject to return on demand. Its contents are confidential and must not be copied or submitted to outside parties for use or examination.					
DRAWN BY	CHECKED BY	APPROVED BY	ENGINEERING	MFG/MKTG	
AEK	GES	KMD	JJ		
6/29/15	6/29/15	6/29/15	6/29/15		
MATERIAL		N/A			
PART NAME		CLAW ENCLOSED COMPRESSOR TRIPLEX			
FLOW SCHEMATIC		DWG NO		MTRC0507	
		SIZE		D	

REV	ZONE	REVISION	DATE	ECN	NAME	CHKD
A-1	ALL	RELEASE FOR APPROVAL	6/29/15	PKEC0092	AEK	GES
B-1	ALL	RELEASE TO PRODUCTION	1/29/16	PKEC0141	AEK	GES
C-1	3.5 ALL	UPDATED TO HAND NDL DRYERS	8/10/17	PKEC0174	AEK	GES
D-1	ALL	ADDED INDIVIDUAL COMPONENT WEIGHTS	4/30/18	PKEC0229	GES	DMS



MINIMUM RECOMMENDED ELECTRICAL PANEL CLEARANCE PER OSHA/NEC REQUIREMENTS

MINIMUM RECOMMENDED ELECTRICAL PANEL CLEARANCE PER OSHA/NEC REQUIREMENTS

MINIMUM RECOMMENDED ELECTRICAL PANEL CLEARANCE PER OSHA/NEC REQUIREMENTS

MINIMUM RECOMMENDED ELECTRICAL PANEL CLEARANCE PER OSHA/NEC REQUIREMENTS

TOTAL UNIT WEIGHT: 11,495 LBS

SYMBOL LEGEND ⊖ = MINUS DRAFT ⊕ = PLUS DRAFT TOLERANCES NOT SPECIFIED .XX ± .XXX ± << DEG > ±		⊕ = ADDITIONAL CONTROL REQ'D HRC = BRINELL HARDNESS		Drawings to conform to the current revision of the following ANSI standards: Y14.3 Multi and sectional view dgs. Y14.5M Dimensioning and tolerancing	
AUTOCAD REL2014 LT INCH		DO NOT SCALE DRAWING FOR DIMENSIONS Sheet 5 of 5 SCALE 1:14		CONFIDENTIAL DISCLOSURE This drawing is the property of POWEREX, INC. of the SCOTT FETZER COMPANY and subject to return on demand. Its contents are confidential and must not be copied or submitted to outside parties for use or examination.	
DRAWN BY AEK		CHECKED BY GES		APPROVED BY ENGINEERING MFG/MKTG KMD JJ	
MATERIAL N/A		DATE 6/29/15		DATE 6/29/15 6/29/15 6/29/15 6/29/15	
PART NAME SOHP CLAW ENCLOSED COMPRESSOR TRIPLEX		MATERIAL 400GAL DUAL DESICCANT PACKAGE		POWEREX 150 PRODUCTION DRIVE, HARRISON, OHIO 45030 Ph 888-769-7979 FAX (513) 367-3125	
DWG NO MTRC0507		SIZE D		MTRC0507.dwg	