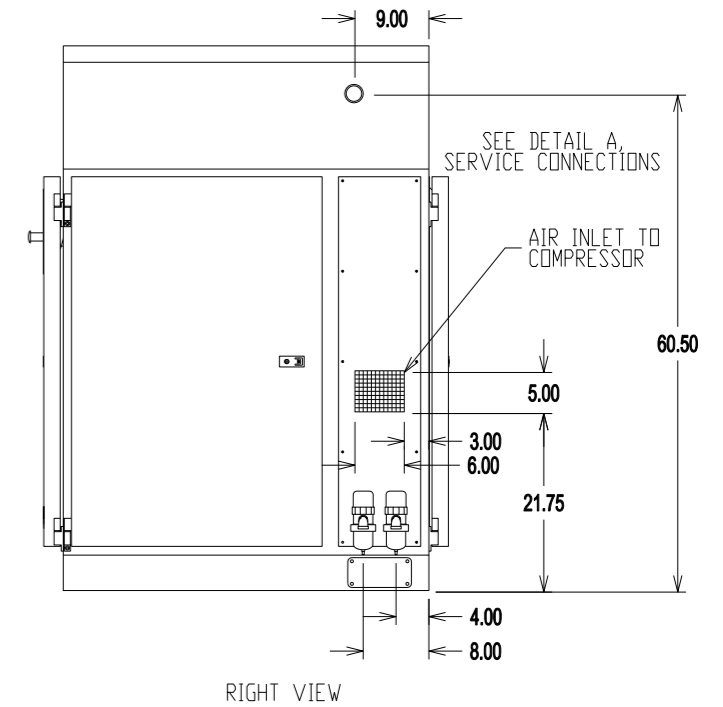
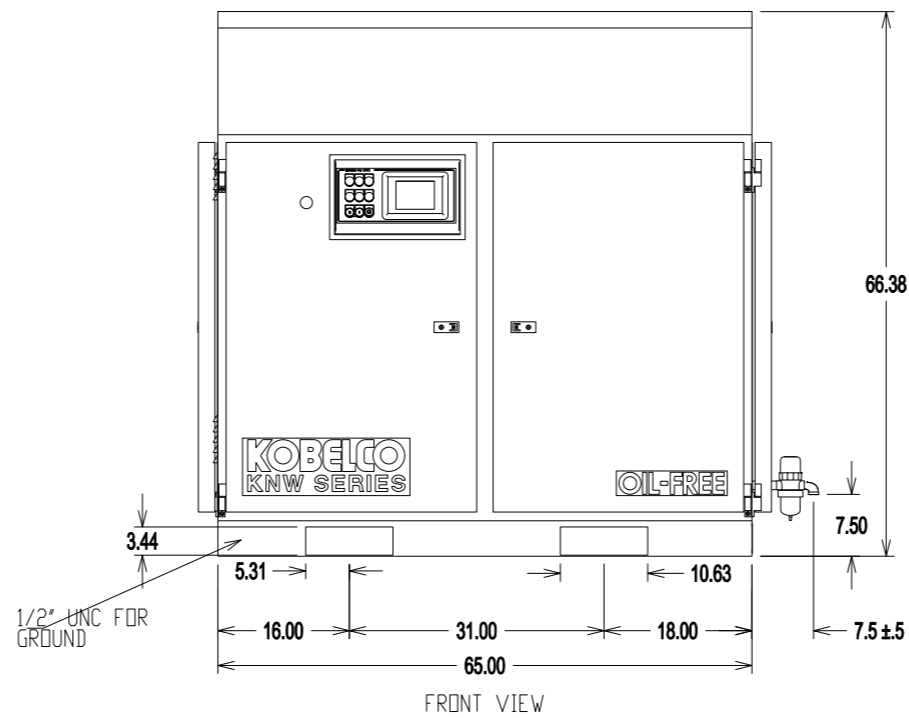
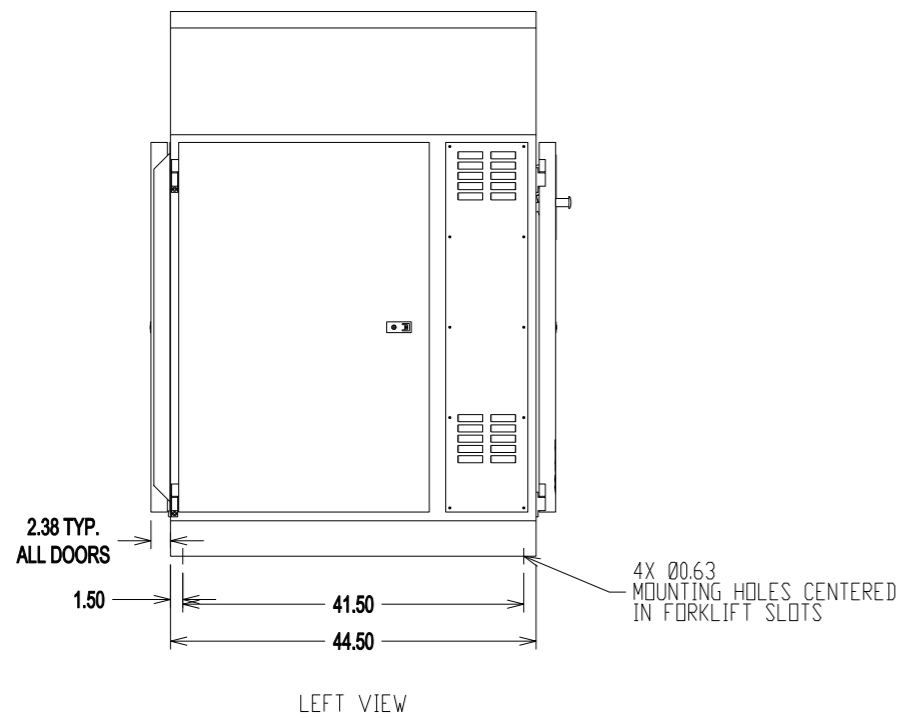
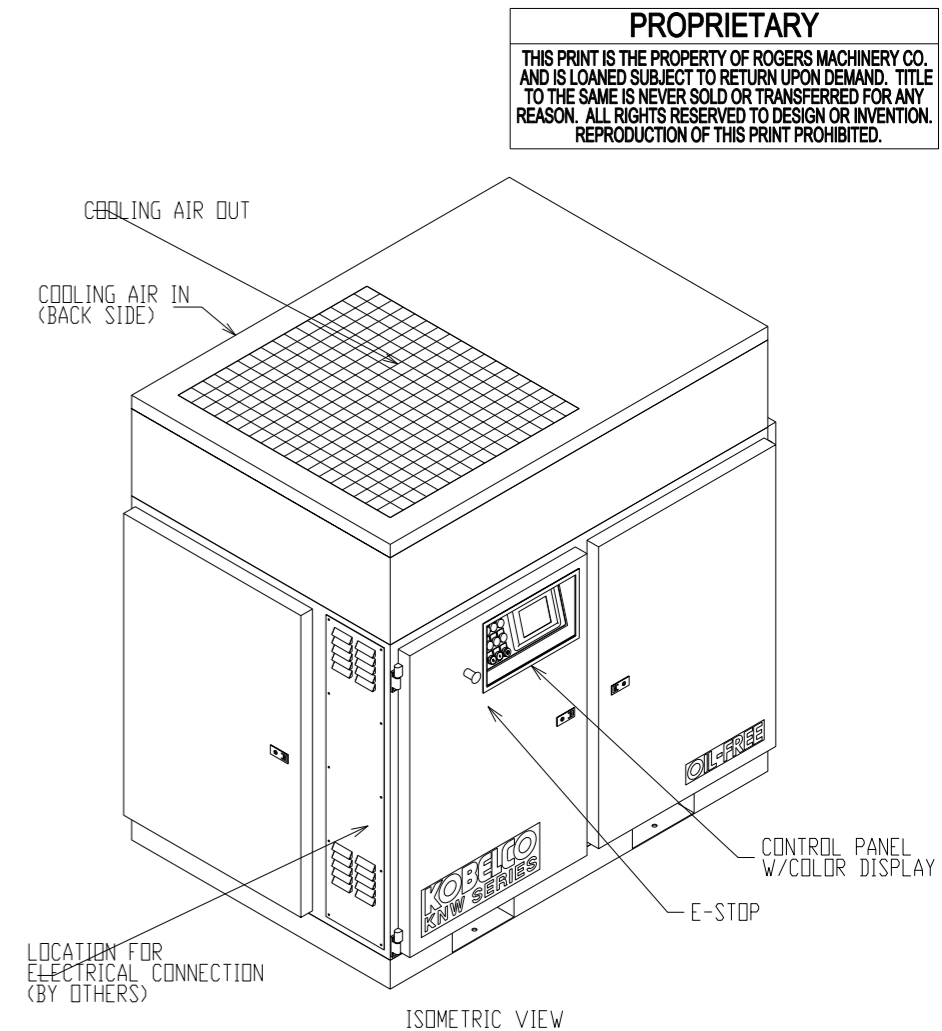
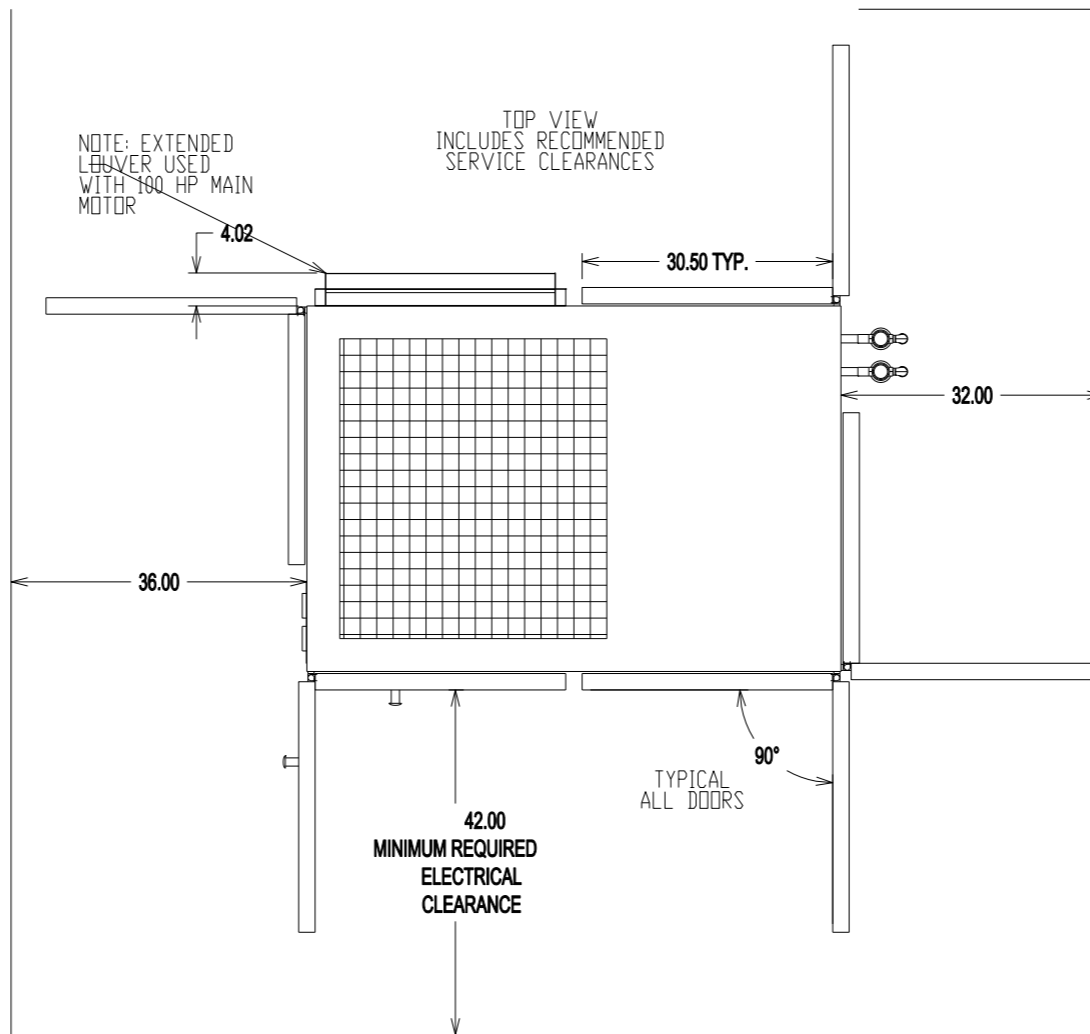
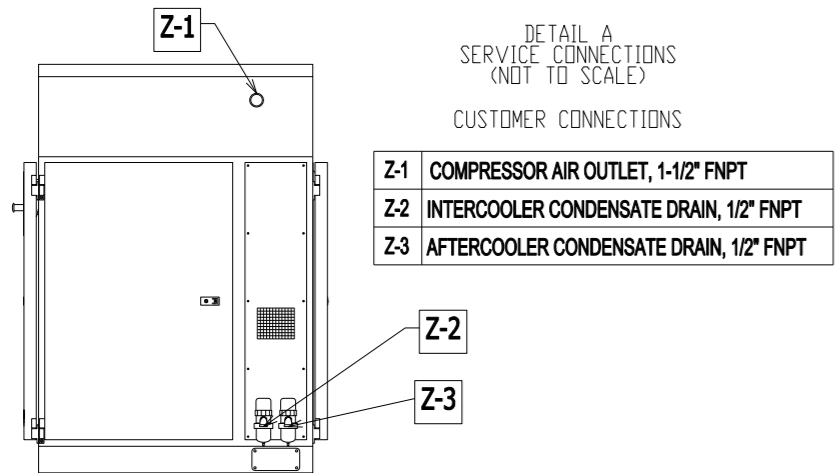


UTILITY REQUIREMENTS

MODEL	PRESSURE	NAMEPLATE HORSEPOWER	COOLING FAN OUTPUT CFM	HEAT REJECTION TO AIR BTU/MIN	APPROX. POWER CONSUMPTION kW	APPROX. SHIPPING WEIGHT LB
A/H	125 PSIG (OPERATING)	50	6500	2350	45	3670
	150 PSIG (MAX WORKING)		6500	2620	50	
B/L	100 PSIG (OPERATING)	50	6500	2590	49	3670
	125 PSIG (OPERATING)		6500	2900	55	
B/H	125 PSIG (OPERATING)	60	6500	3210	60	3740
	150 PSIG (MAX WORKING)		6500	3160	59	
C/L	100 PSIG (OPERATING)	60	6500	3540	66	3880
	125 PSIG (OPERATING)		6500	3940	73	
C/H	125 PSIG (OPERATING)	75	6500	3580	67	3880
	150 PSIG (MAX WORKING)		6500	4020	74	
D/L	100 PSIG (OPERATING)	75	6500	4200	77	3910
	125 PSIG (OPERATING)		6500	4200	77	
D/H	125 PSIG (OPERATING)	100	6500	4420	81	3910
	135 PSIG (MAX WORKING)		6500	4420	81	
E/L	100 PSIG (OPERATING)	100	6500	4420	81	3910

ELECTRICAL REQUIREMENTS: 3Ø, 60Hz, 480V

- NOTES**
 1. PERFORMANCE DATA SHOWN IS FOR STANDARD CONDITIONS OF AMBIENT PRESSURE 14.5 PSIA, AMBIENT TEMPERATURE 80°F, RELATIVE HUMIDITY 60%. OPERATION IN OTHER CONDITIONS WILL AFFECT PERFORMANCE.
 2. VALUES WILL VARY ±4% FOR CAPACITY AND ±5% FOR SPECIFIC POWER.



DIMENSIONS ARE IN INCHES UNLESS OTHERWISE NOTED

ROGERS MACHINERY COMPANY, INC.
 CORPORATE ENGINEERING
 14650 S.W. 72ND AVENUE
 PORTLAND, OREGON 97224
 www.rogers-machinery.com

REV	DATE	BY	CK	DESCRIPTION

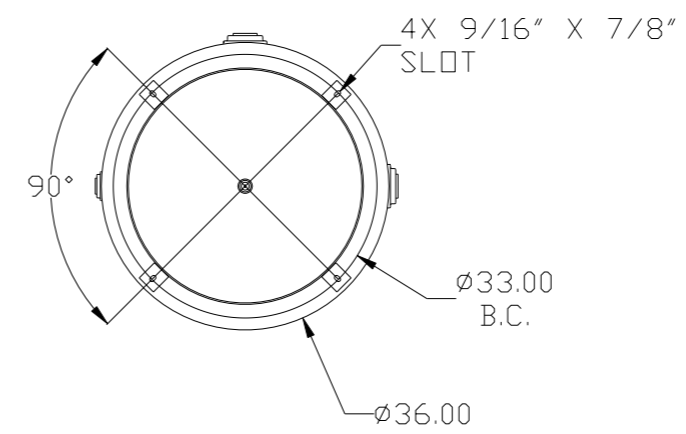
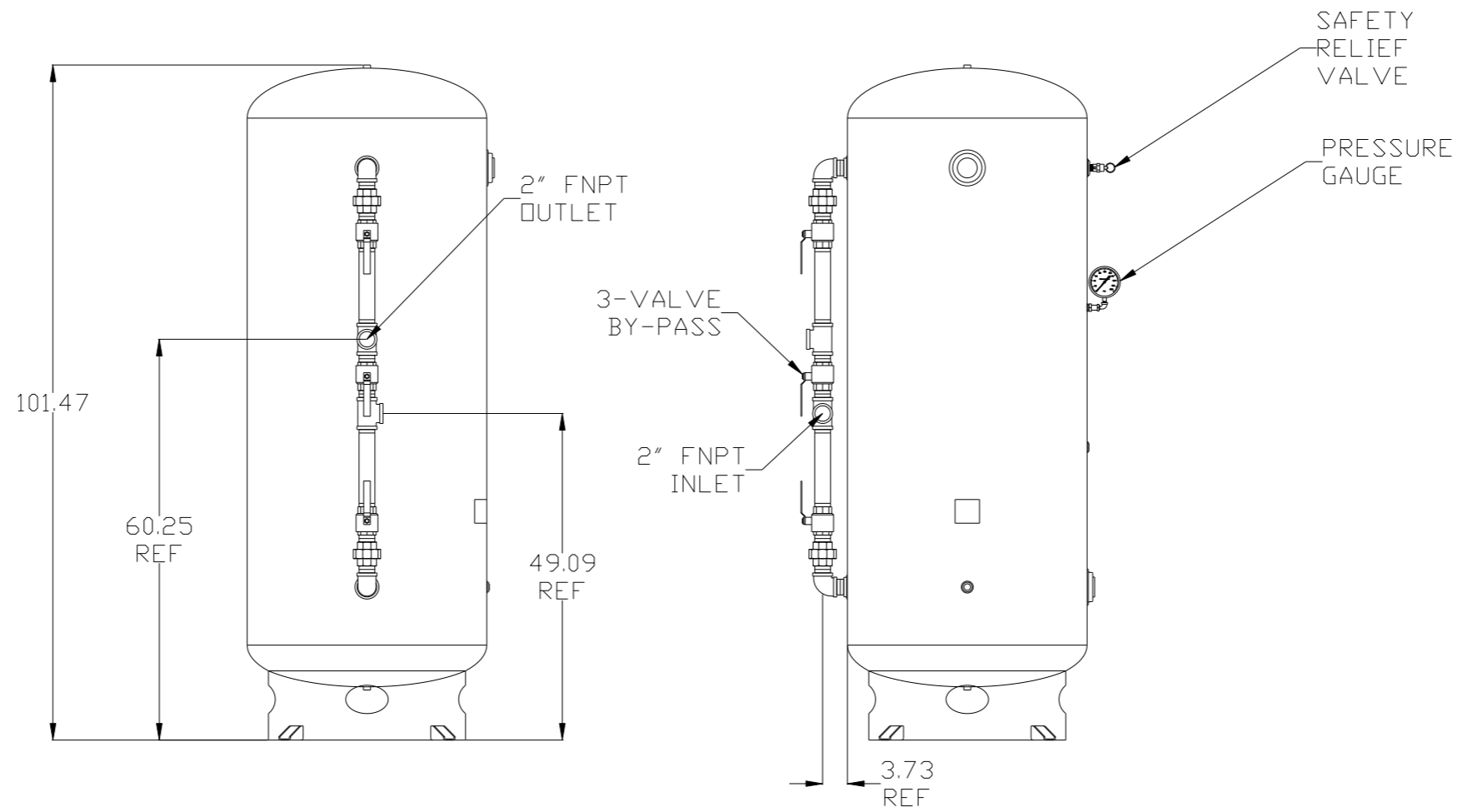
DRAWN	G.E. WILKER	05DEC13
CHECKED		
SIZE	B	SCALE 1:24
SERIAL#	POWEREX - TBD	

COMPRESSOR ASSEMBLY
 KOBELCO KNW SERIES AIR COMPRESSOR
 MODEL KNWA0, AIR-COOLED
 WYE-DELTA STARTER, STANDARD ASSEMBLY

DRAWING NUMBER
K00754A.0
 SHEET 1 OF 1

GALLONS	SIZE	DESIGN PRESSURE	WEIGHT lbs.	DESCRIPTION
400	36 x 101	165 PSI	880	ASME VERTICAL INDUSTRIAL w/BASE RING

REV	ZONE	REVISION	DATE	ECN	NAME	CHKD
A-1	ALL	SUBMITTAL DRAWINGS	8/7/13	PKEC0052	RK	AEK
B-1	ALL	RELEASE FOR PRODUCTION	8/7/13	PKEC0052	RK	AEK
C-1	ALL	CHANGED TANK PSI FROM 200 TO 165	04/26/18	PKEC0229	DMS	GES

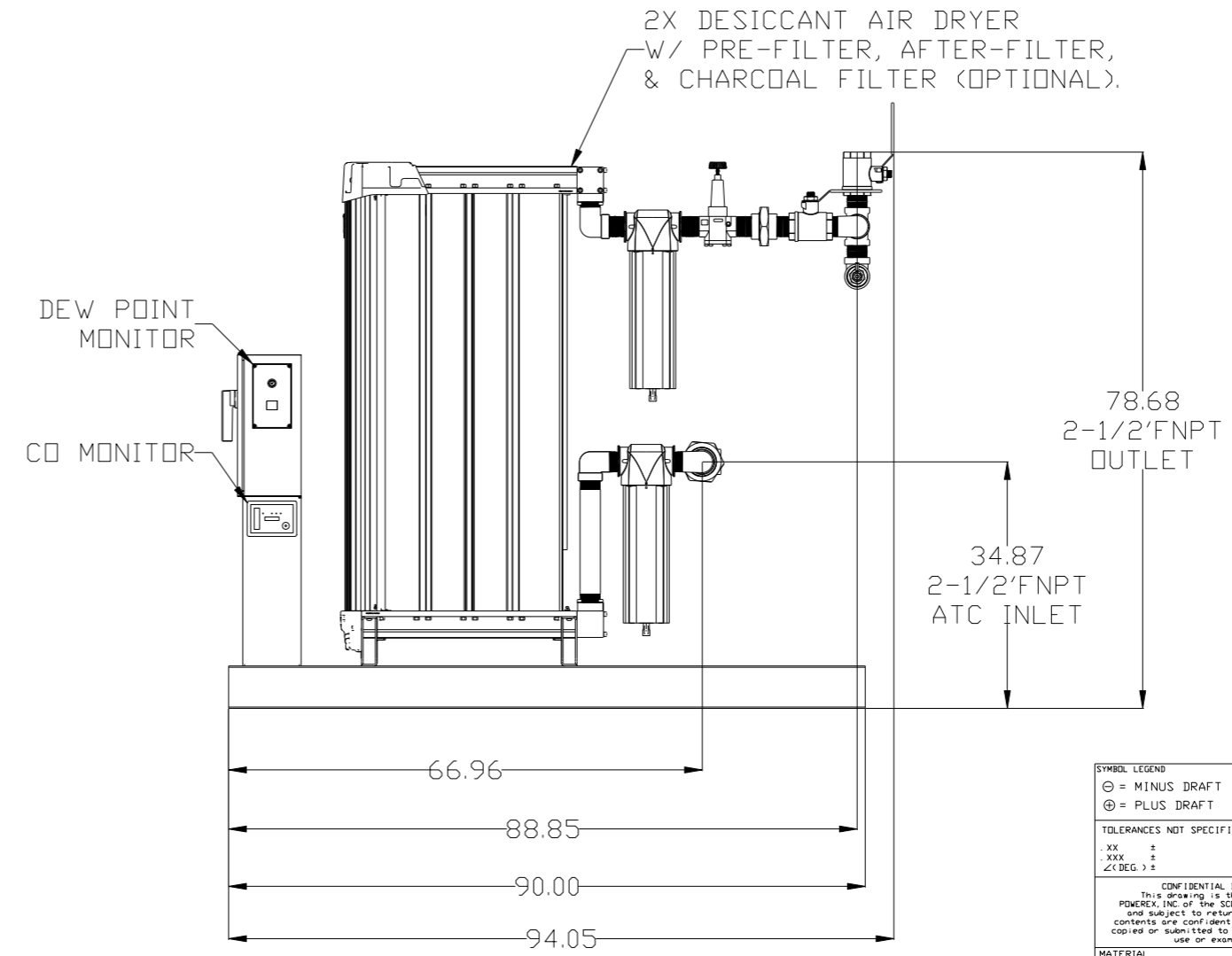
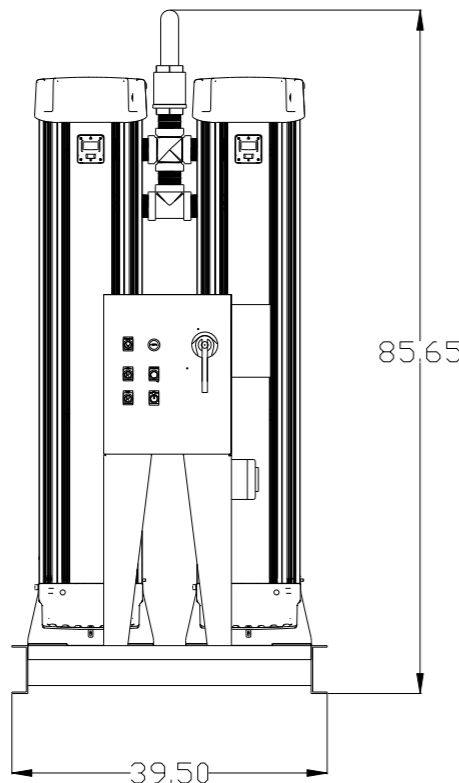
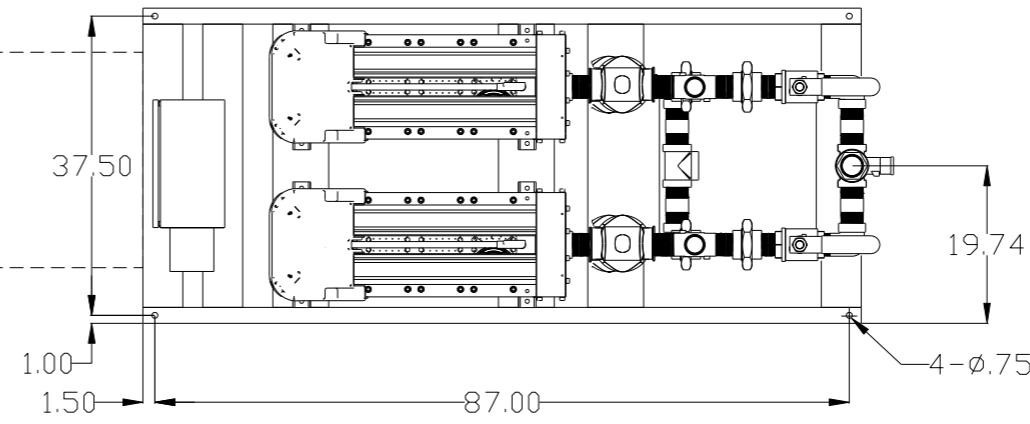


NOTES:
 1) ASME CERTIFIED VESSEL
 2) ALL DIMENSIONS ARE REFERENCE DIMENSIONS
 3) APPROXIMATE WT. - 880 LBS.

SYMBOL LEGEND ⊖ = MINUS DRAFT ⊕ = PLUS DRAFT ⊕ = ADDITIONAL CONTROL REQ'D ⊕ = BRINELL HARDNESS		Drawings to conform to the current revision of the following ANSI standards: Y14.3 Multi and sectional view deqs. Y14.5M Dimensioning and tolerancing	
TOLERANCES NOT SPECIFIED .XX ± .XXX ± <DEG> ±		AUTOCAD REL2008 LT INCH	
CONFIDENTIAL DISCLOSURE This drawing is the property of POWEREX, INC. of the SCOTT FETZER COMPANY and subject to return on demand. Its contents are confidential and must not be copied or submitted to outside parties for use or examination.		DO NOT SCALE DRAWING FOR DIMENSIONS Sheet 2 of 5 SCALE 1:12	
MATERIAL N/A		DRAWN BY: RK CHECKED BY: AEK APPROVED BY: JA MFG/MKTG: CT 8/6/13 8/7/13 8/7/12 8/7/12	
PART NAME 40-60HP VFD TRIPLEX ENCLOSED COMPRESSOR		 150 PRODUCTION DRIVE, HARRISON, OHIO 45030 Ph: 888-769-7979 FAX: (513) 367-3125	
DWG NO 400 GALLON DUAL DESICCANT PACKAGE		SIZE MTRE0757 D	

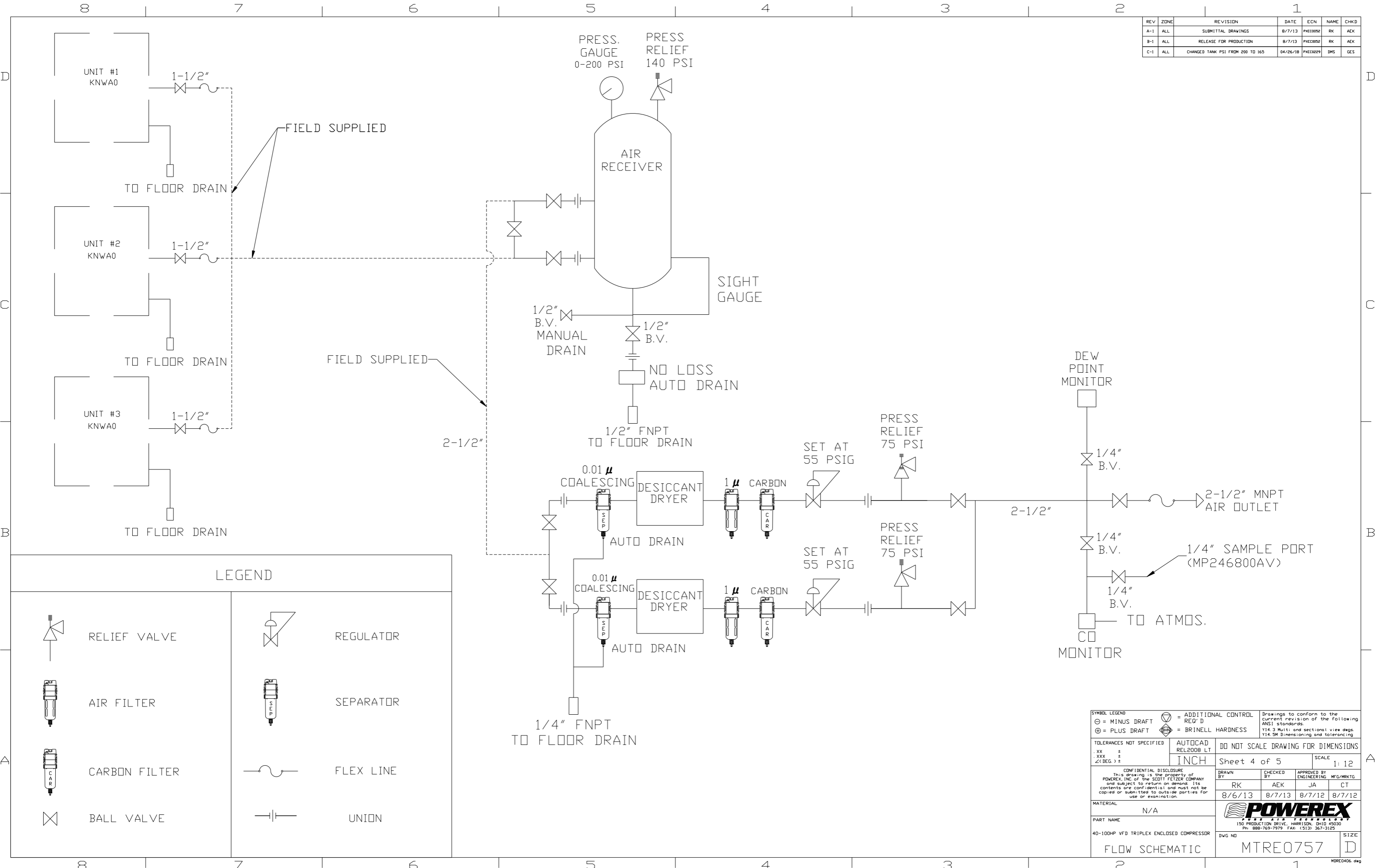
REV	ZONE	REVISION	DATE	ECN	NAME	CHKD
A-1	ALL	SUBMITTAL DRAWINGS	8/7/13	PKEC0052	RK	AEK
B-1	ALL	RELEASE FOR PRODUCTION	8/7/13	PKEC0052	RK	AEK
C-1	ALL	CHANGED TANK PSI FROM 200 TO 165	04/26/18	PKEC0229	DMS	GES

MINIMUM RECOMMENDED
ELECTRICAL PANEL
CLEARANCE PER OSHA/
NEC REQUIREMENTS



SYMBOL LEGEND ⊖ = MINUS DRAFT ⊕ = PLUS DRAFT .XX ± .XXX ± \angle(DEG.) ±		= ADDITIONAL CONTROL REQ'D = BRINELL HARDNESS		Drawings to conform to the current revision of the following ANSI standards: Y14.3 Multi and sectional view dgs. Y14.5M Dimensioning and tolerancing
TOLERANCES NOT SPECIFIED .XX ± .XXX ± \angle(DEG.) ±		AUTOCAD REL2008 LT INCH	DO NOT SCALE DRAWING FOR DIMENSIONS Sheet 3 of 5 SCALE 1:12	
CONFIDENTIAL DISCLOSURE This drawing is the property of POWEREX, INC. of the SCOTT FETZER COMPANY and subject to return on demand. Its contents are confidential and must not be copied or submitted to outside parties for use or examination.				
MATERIAL N/A		DRAWN BY RK 8/6/13		CHECKED BY AEK 8/7/13
PART NAME DRYER PACKAGE SKID 39.5" x 90"		APPROVED BY ENGINEERING JA 8/7/12		MFG/MRKTG CT 8/7/12
DWG NO MTRE0757		 150 PRODUCTION DRIVE, HARRISON, OHIO 45030 Ph: 888-769-7979 FAX: (513) 367-3125		

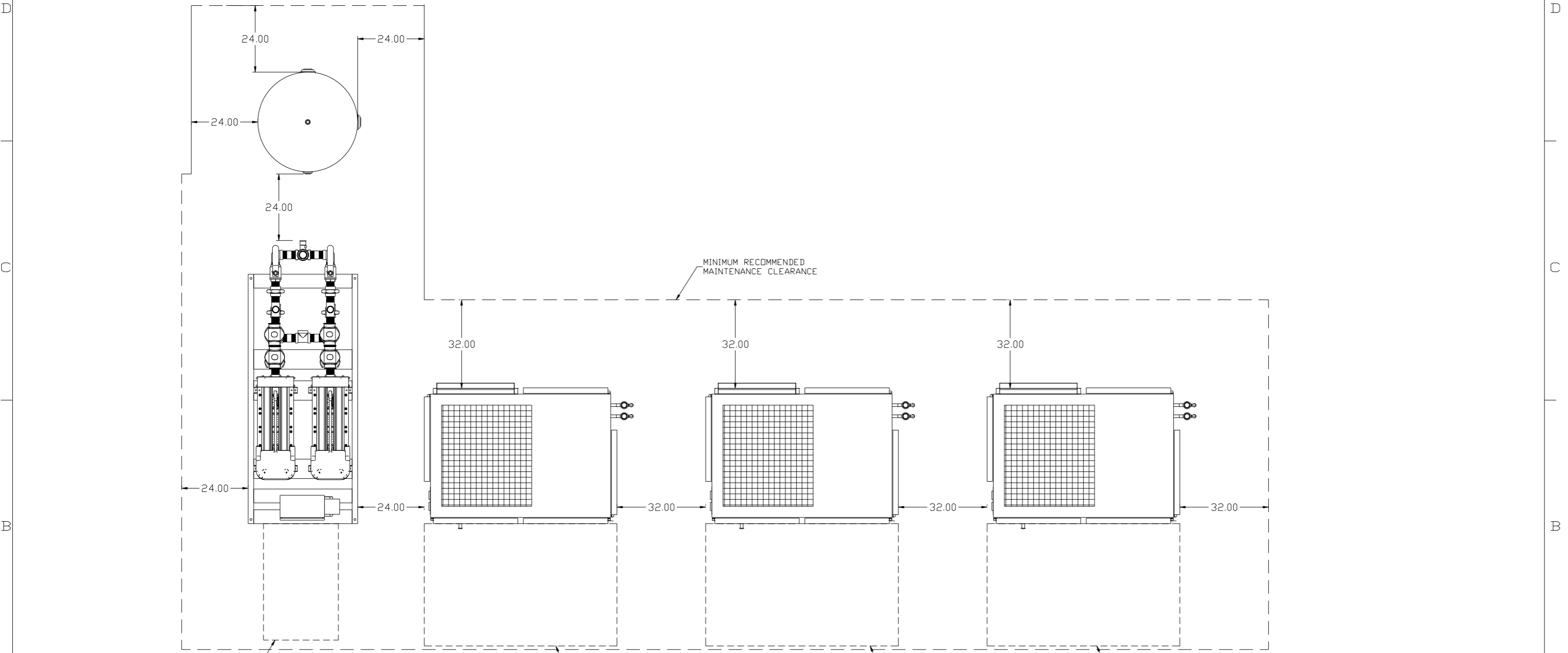
REV	ZONE	REVISION	DATE	ECN	NAME	CHKD
A-1	ALL	SUBMITTAL DRAWINGS	8/7/13	PKEC0052	RK	AEK
B-1	ALL	RELEASE FOR PRODUCTION	8/7/13	PKEC0052	RK	AEK
C-1	ALL	CHANGED TANK PSI FROM 200 TO 165	04/26/18	PKEC0229	DMS	GES



LEGEND	
	RELIEF VALVE
	REGULATOR
	AIR FILTER
	CARBON FILTER
	BALL VALVE
	SEPARATOR
	FLEX LINE
	UNION

SYMBOL LEGEND ⊖ = MINUS DRAFT ⊕ = PLUS DRAFT TOLERANCES NOT SPECIFIED: .XX ± .XXX ± <math>\angle(DEG)> ±		⊕ = ADDITIONAL CONTROL REQ'D HB = BRINELL HARDNESS Drawings to conform to the current revision of the following ANSI standards: Y14.3 Multi and sectional view dgs Y14.5M Dimensioning and tolerancing
AUTOCAD REL2008 LT INCH DO NOT SCALE DRAWING FOR DIMENSIONS Sheet 4 of 5 SCALE 1:12		CONFIDENTIAL DISCLOSURE This drawing is the property of POWEREX, INC. of the SCOTT FETZER COMPANY and subject to return on demand. Its contents are confidential and must not be copied or submitted to outside parties for use or examination.
MATERIAL N/A PART NAME 40-100HP VFD TRIPLEX ENCLOSED COMPRESSOR DWG NO FLOW SCHEMATIC		DRAWN BY: RK CHECKED BY: AEK APPROVED BY: ENGINEERING MFG/MKTG JA CT 8/6/13 8/7/13 8/7/12 8/7/12 POWEREX 150 PRODUCTION DRIVE, HARRISON, OHIO 45030 Ph: 888-769-7979 FAX: (513) 367-3125 SIZE D MTRE0757

REV	ZONE	REVISION	DATE	ECN	NAME	CHKD
A-1	ALL	SUBMITTAL DRAWINGS	8/7/13	PXEC0052	RK	AEK
B-1	ALL	RELEASE FOR PRODUCTION	8/7/13	PXEC0052	RK	AEK
C-1	ALL	CHANGED TANK PSI FROM 200 TO 165	04/26/18	PXEC0029	DMS	GES



MINIMUM RECOMMENDED ELECTRICAL PANEL CLEARANCE PER OSHA

MINIMUM RECOMMENDED ELECTRICAL PANEL CLEARANCE PER OSHA

MINIMUM RECOMMENDED ELECTRICAL PANEL CLEARANCE PER OSHA

MINIMUM RECOMMENDED ELECTRICAL PANEL CLEARANCE PER OSHA

SYMBOL LEGEND
 ⊖ = MINUS DRAFT ⊕ = PLUS DRAFT ⊕ = ADDITIONAL CONTROL REQ'D
 ⊕ = BRINELL HARDNESS

TOLERANCES NOT SPECIFIED: .XX ±, .XXX ±, <DEG> ±

AUTOCAD REL2008 LT
 INCH

Drawings to conform to the current revision of the following ANSI standards:
 Y14.3 Multi and sectional view dgs.
 Y14.5M Dimensioning and tolerancing

DO NOT SCALE DRAWING FOR DIMENSIONS
 Sheet 5 of 5 SCALE 1:17

CONFIDENTIAL DISCLOSURE
 This drawing is the property of POWEREX, INC. of the SCOTT FETZER COMPANY and subject to return on demand. Its contents are confidential and must not be copied or submitted to outside parties for use or examination.

DRAWN BY	CHECKED BY	APPROVED BY	DATE
RK	AEK	JA	CT
8/6/13	8/7/13	8/7/12	8/7/12

MATERIAL: N/A

PART NAME: 40-100HP VFD TRIPLEX ENCLOSED COMPRESSOR
 400 GALLON DUAL DESICCANT PACKAGE

DWG NO: MTRE0757 SIZE: D

POWEREX
 150 PRODUCTION DRIVE, HARRISON, OHIO 45030
 Ph: 888-769-7979 FAX: (513) 367-3125