

REV	ZONE	REVISION	DATE	ECN	NAME	CHKD
B-1	ALL	RELEASE TO PRODUCTION	2/5/18	PKC0020	AEK	GES

MINIMUM RECOMMENDED ELECTRICAL CLEARANCE PER OSHA/NEC REQUIREMENTS

MINIMUM RECOMMENDED MAINTENANCE CLEARANCE

CONTROL PANEL

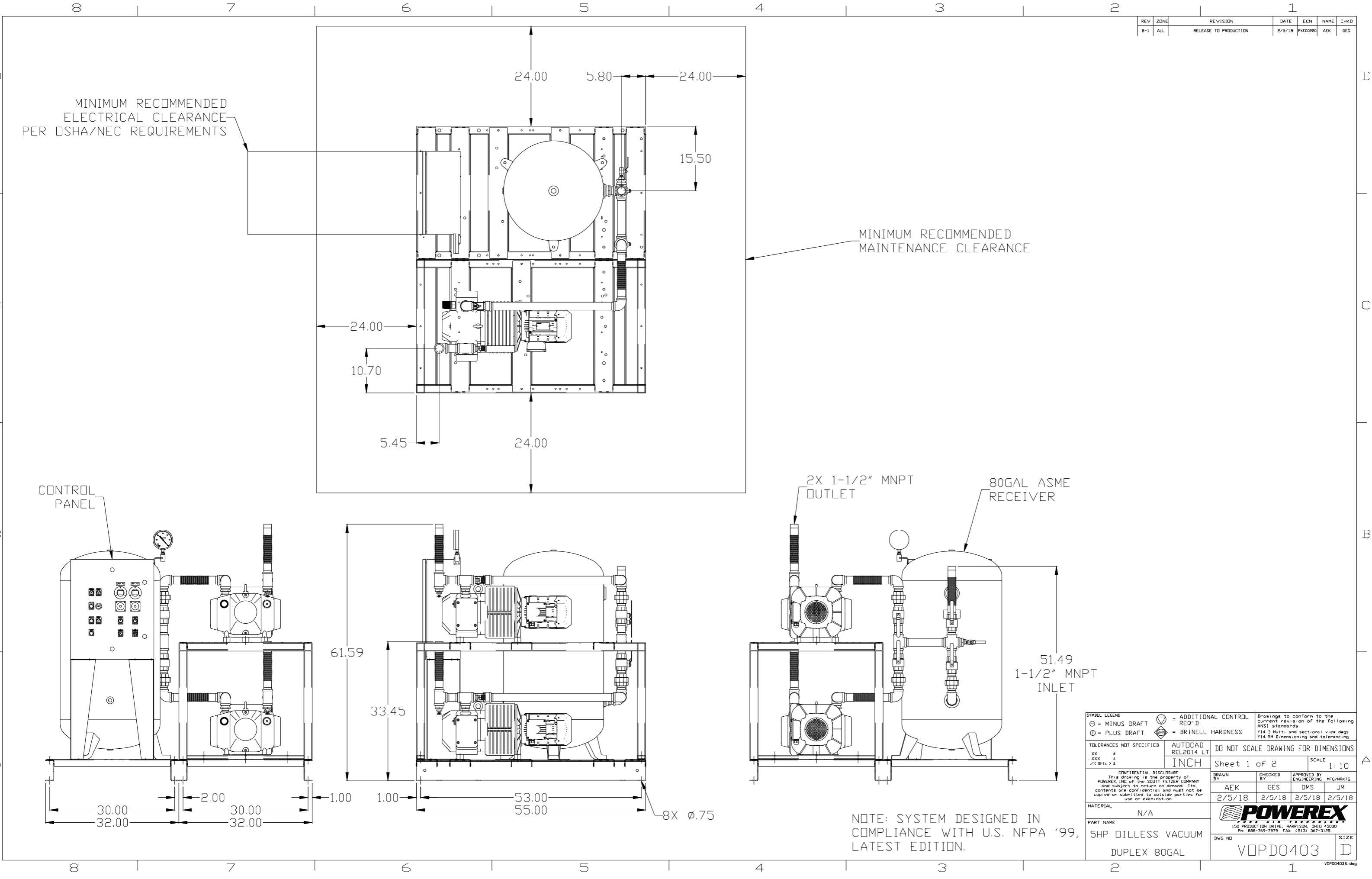
2X 1-1/2" MNPT OUTLET

80GAL ASME RECEIVER

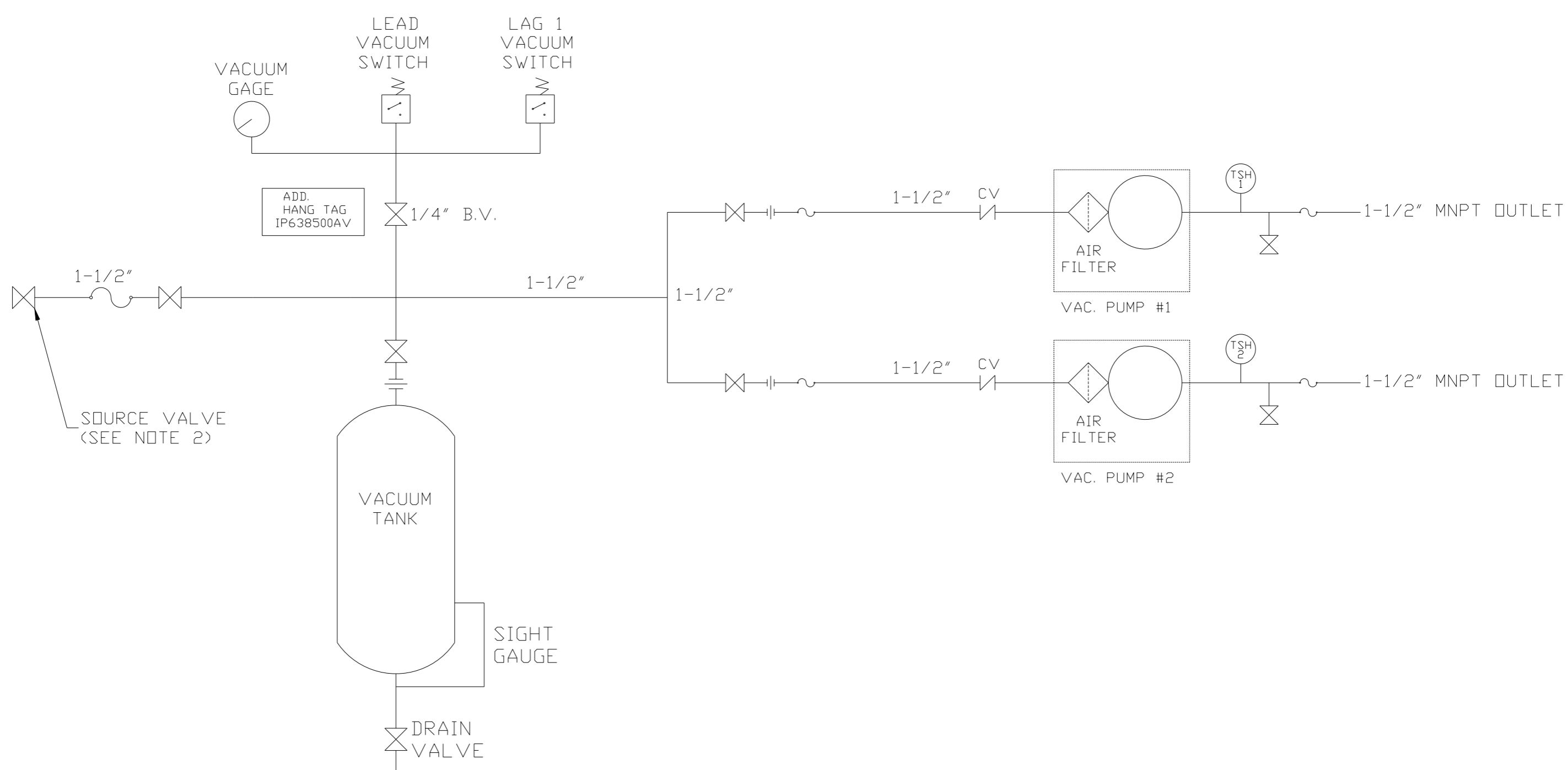
51.49
1-1/2" MNPT INLET

SYMBOL LEGEND ⊖ = MINUS DRAFT ⊕ = PLUS DRAFT Ⓢ = ADDITIONAL CONTROL REQ'D Ⓜ = BRINELL HARDNESS		Drawings to conform to the current revision of the following ANSI standards: Y14.3 Multi and sectional view dsgs. Y14.5M Dimensioning and tolerancing	
TOLERANCES NOT SPECIFIED .XX ± .XXX ± <DEG> ±		AUTOCAD REL2014 LT INCH	
CONFIDENTIAL DISCLOSURE This drawing is the property of POWEREX, INC. of the SCOTT FEITZER COMPANY and subject to return on demand. Its contents are confidential and must not be copied or submitted to outside parties for use or examination.		DO NOT SCALE DRAWING FOR DIMENSIONS Sheet 1 of 2 SCALE 1:10	
MATERIAL N/A		DRAWN BY: AEK CHECKED BY: GES ENGINEERING: DMS MFG/MKTG: JM 2/5/18 2/5/18 2/5/18 2/5/18	
PART NAME 5HP DILLESS VACUUM DUPLEX 80GAL		DWG NO: VOPD0403 SIZE: D	

NOTE: SYSTEM DESIGNED IN COMPLIANCE WITH U.S. NFPA '99, LATEST EDITION.



REV	ZONE	REVISION	DATE	ECN	NAME	CHKD
B-1	ALL	RELEASE TO PRODUCTION	2/5/18	PKC0020	AEK	GES



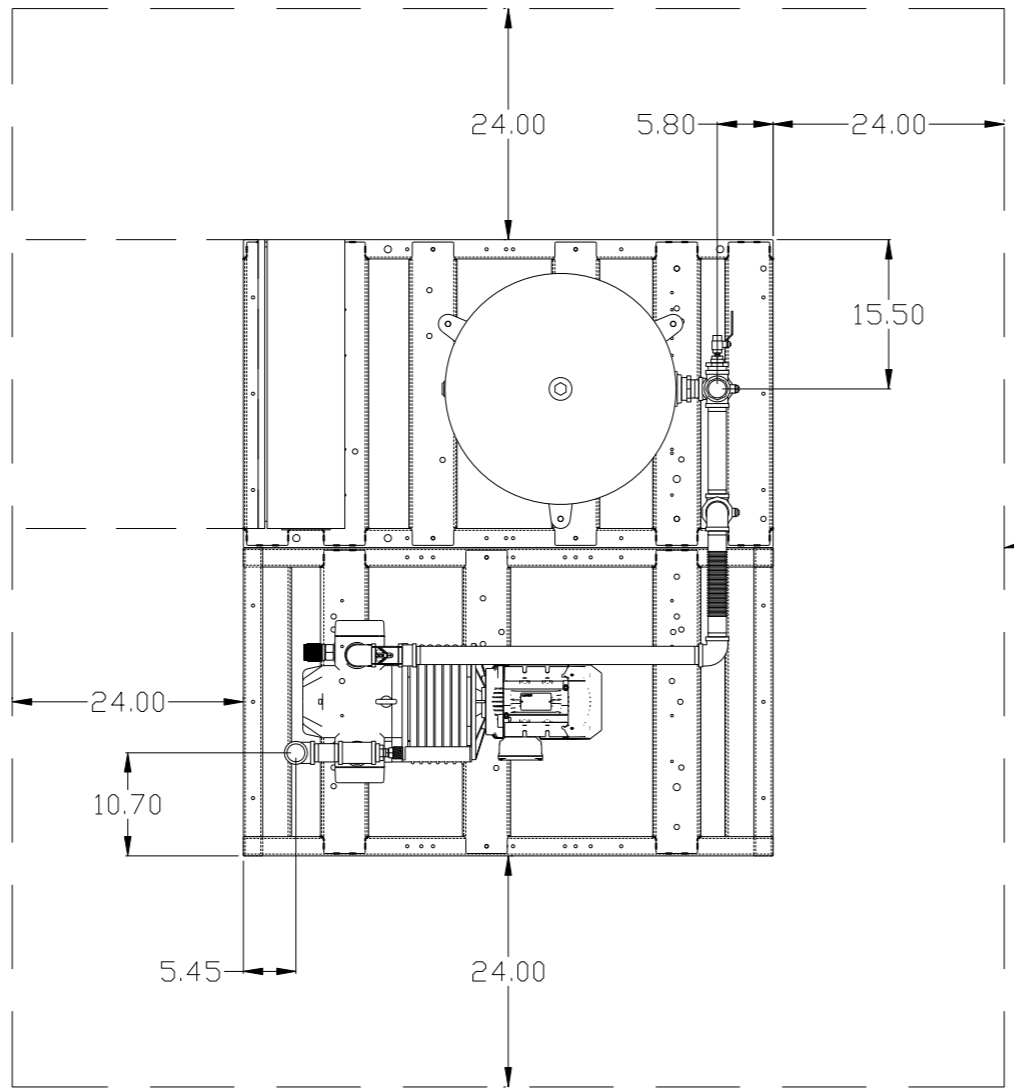
LEGEND	
	TEMP. SWITCH
	VACUUM SWITCH
	AIR FILTER
	BALL VALVE
	UNION
	CHECK VALVE
	FLEX LINE

NOTES:
 1) TSH - TEMPERATURE SWITCH HIGH
 2) PER NFPA THE SYSTEM WILL REQUIRE A SOURCE VALVE (SUPPLIED BY OTHERS).

SYMBOL LEGEND ⊖ = MINUS DRAFT ⊕ = PLUS DRAFT TOLERANCES NOT SPECIFIED .XX ± .XXX ± << DEG > ±		= ADDITIONAL CONTROL REQ'D = BRINELL HARDNESS		Drawings to conform to the current revision of the following ANSI standards Y14.3 Multi and sectional view dgs. Y14.5M Dimensioning and tolerancing
AUTOCAD REL2014 LT INCH		DO NOT SCALE DRAWING FOR DIMENSIONS Sheet 2 of 2 SCALE 1:10		
CONFIDENTIAL DISCLOSURE This drawing is the property of POWEREX, INC. of the SCOTT FETZER COMPANY and subject to return on demand. Its contents are confidential and must not be copied or submitted to outside parties for use or examination.				
DRAWN BY AEK	CHECKED BY GES	APPROVED BY DMS	MFG/MKTG JM	
MATERIAL N/A		 150 PRODUCTION DRIVE, HARRISON, OHIO 45030 Ph: 888-769-7979 FAX: (513) 367-3125		
PART NAME OILLESS VACUUM FLOW SCHEMATIC		DWG NO VOPD0403	SIZE D	

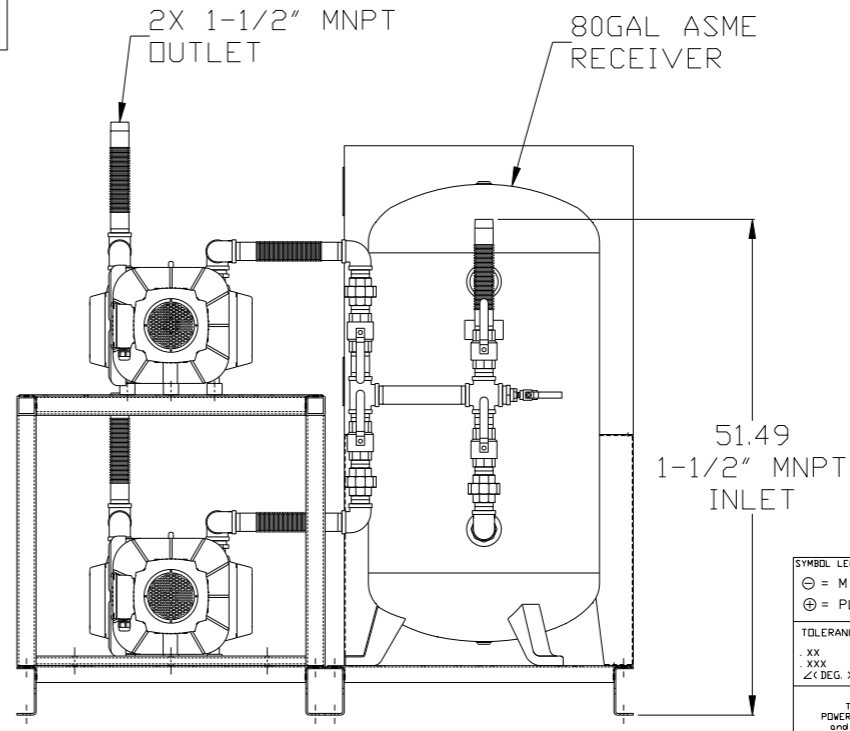
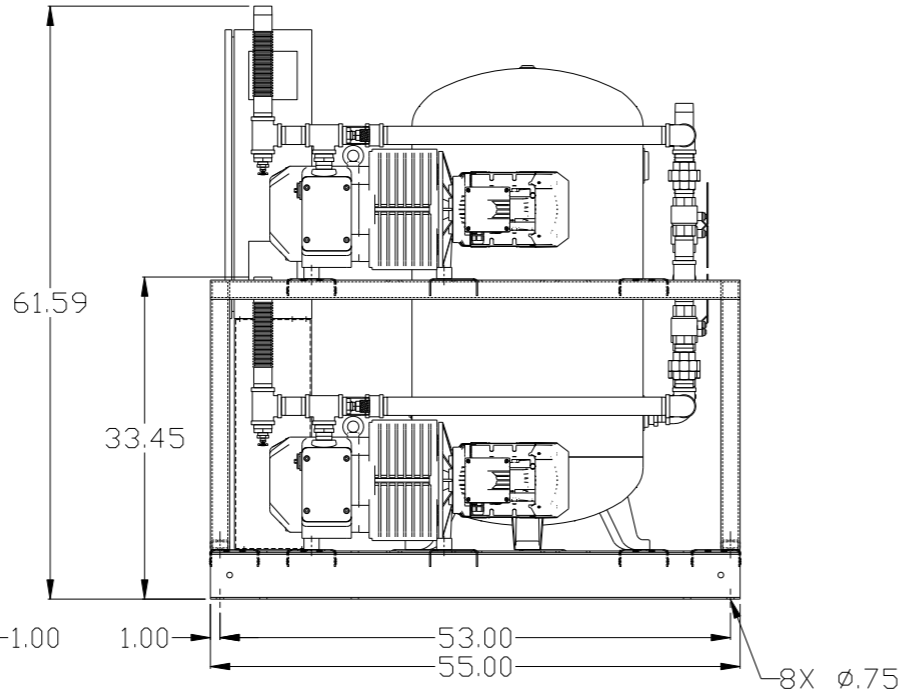
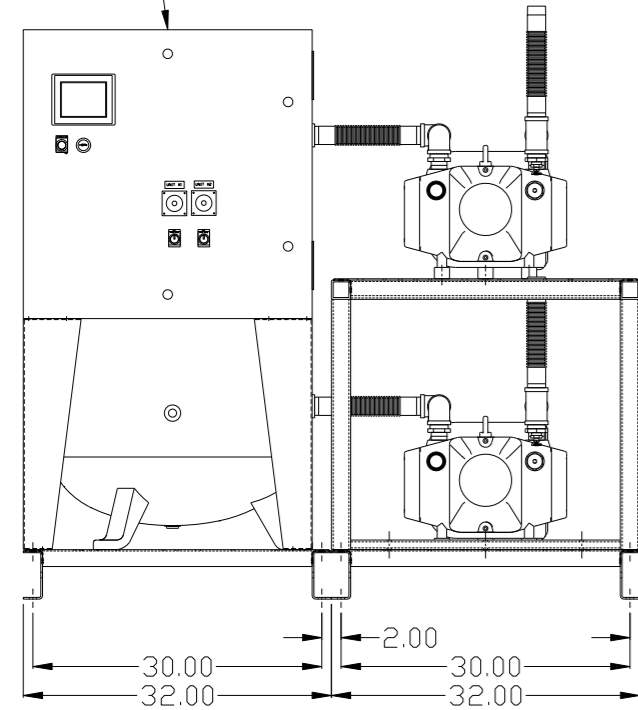
REV	ZONE	REVISION	DATE	ECN	NAME	CHKD
B-1	ALL	RELEASE TO PRODUCTION	2/5/18	PKC0020	AEK	GES

MINIMUM RECOMMENDED ELECTRICAL CLEARANCE PER OSHA/NEC REQUIREMENTS



MINIMUM RECOMMENDED MAINTENANCE CLEARANCE

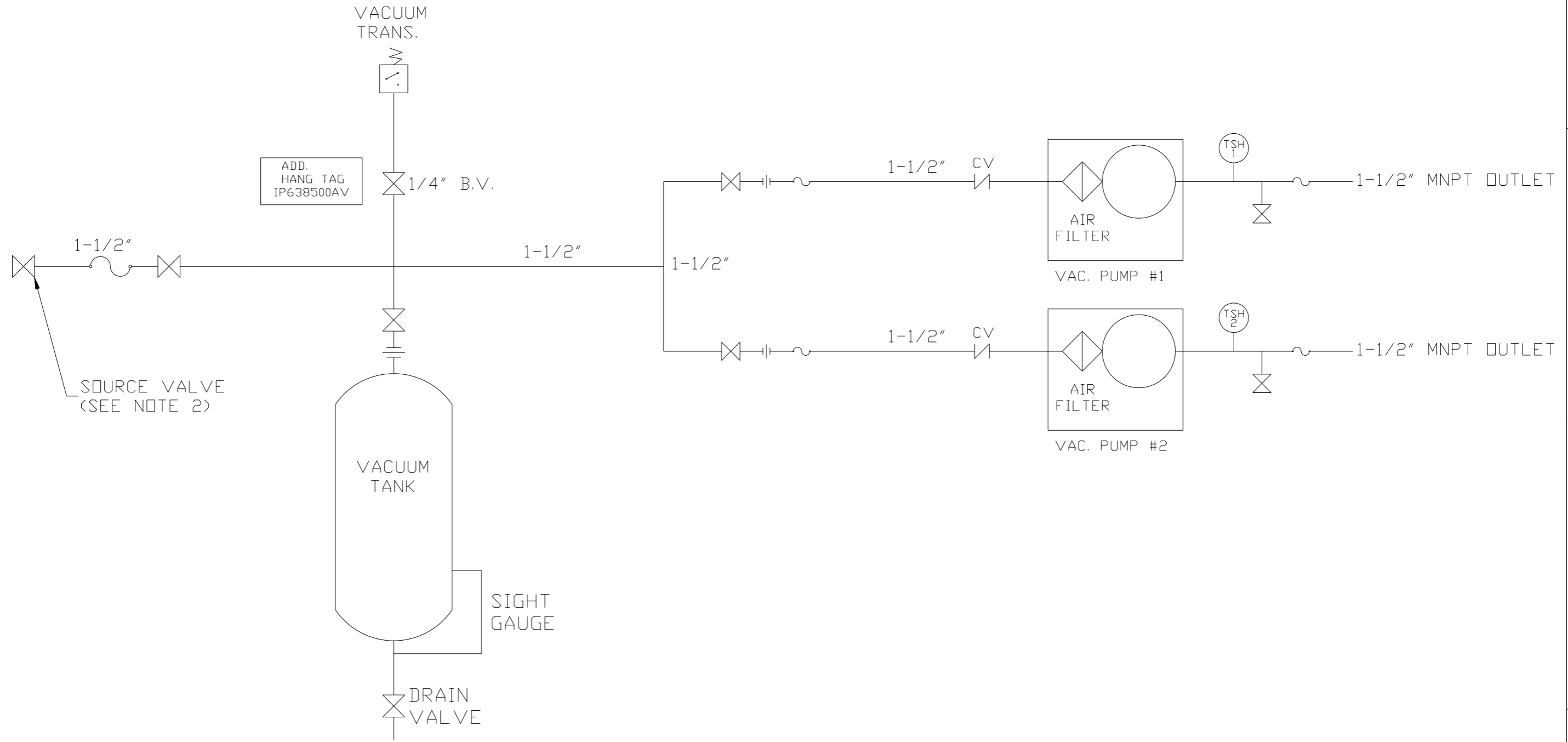
PBMI CONTROL PANEL



NOTE: SYSTEM DESIGNED IN COMPLIANCE WITH U.S. NFPA '99, LATEST EDITION.

SYMBOL LEGEND ⊖ = MINUS DRAFT ⊕ = PLUS DRAFT \angle (DEG) ±		= ADDITIONAL CONTROL REQ'D = BRINELL HARDNESS		Drawings to conform to the current revision of the following ANSI standards: Y14.3 Multi and sectional view dgs. Y14.5M Dimensioning and tolerancing
TOLERANCES NOT SPECIFIED .XX ± .XXX ± \angle (DEG) ±		AUTOCAD REL2014 LT INCH		DO NOT SCALE DRAWING FOR DIMENSIONS Sheet 1 of 2 SCALE 1:10
CONFIDENTIAL DISCLOSURE This drawing is the property of POWEREX, INC. of the SCOTT FEITZER COMPANY and subject to return on demand. Its contents are confidential and must not be copied or submitted to outside parties for use or examination.				
MATERIAL N/A		DRAWN BY AEK 2/5/18		CHECKED BY GES 2/5/18
PART NAME 5HP DILLESS VACUUM DUPLEX 80GAL		APPROVED BY DMS JM 2/5/18 2/5/18		SIZE D
DWG NO VOPD0403		POWEREX 150 PRODUCTION DRIVE, HARRISON, OHIO 45030 Ph: 888-769-7979 FAX: (513) 367-3125		

REV	ZONE	REVISION	DATE	ECN	NAME	CHKD
B-1	ALL	RELEASE TO PRODUCTION	2/5/18	PKC0020	AEK	GES

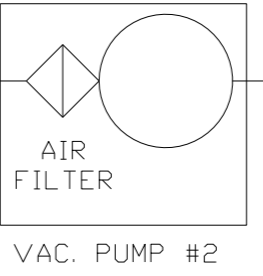
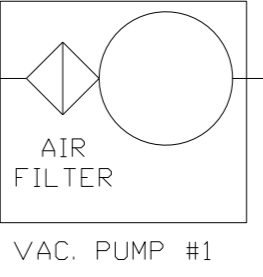


ADD.
HANG TAG
IP638500AV

SOURCE VALVE
(SEE NOTE 2)

SIGHT
GAUGE

DRAIN
VALVE



LEGEND	
	TEMP. SWITCH
	AIR FILTER
	BALL VALVE
	UNION
	VACUUM SWITCH
	CHECK VALVE
	FLEX LINE

NOTES:
1) TSH - TEMPERATURE SWITCH HIGH
2) PER NFPA THE SYSTEM WILL REQUIRE A SOURCE VALVE (SUPPLIED BY OTHERS).

SYMBOL LEGEND		= ADDITIONAL CONTROL REQ'D		Drawings to conform to the current revision of the following ANSI standards	
⊖ = MINUS DRAFT		⊕ = PLUS DRAFT		= BRINELL HARDNESS	
TOLERANCES NOT SPECIFIED		AUTOCAD REL2014 LT		DO NOT SCALE DRAWING FOR DIMENSIONS	
.XX ±		INCH		Sheet 2 of 2	
.XXX ±				SCALE 1:10	
∠(DEG) ±					
CONFIDENTIAL DISCLOSURE This drawing is the property of POWEREX, INC. of the SCOTT FELTZER COMPANY and subject to return on demand. Its contents are confidential and must not be copied or submitted to outside parties for use or examination.					
DRAWN BY		CHECKED BY		APPROVED BY	
AEK		GES		DMS JM	
2/5/18		2/5/18		2/5/18 2/5/18	
MATERIAL N/A					
PART NAME					
OILLESS VACUUM FLOW SCHEMATIC					
DWG NO				SIZE	
VOPD0403				D	