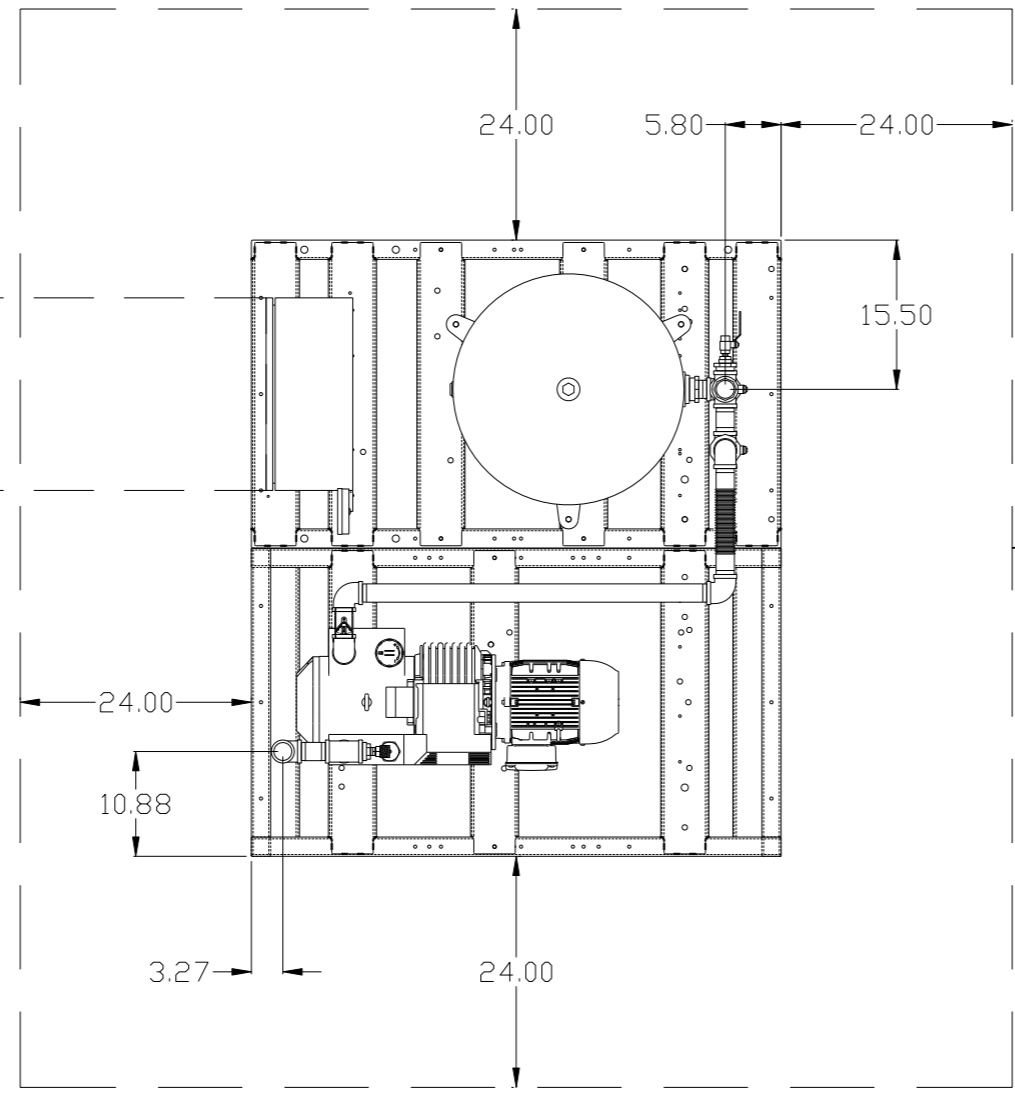


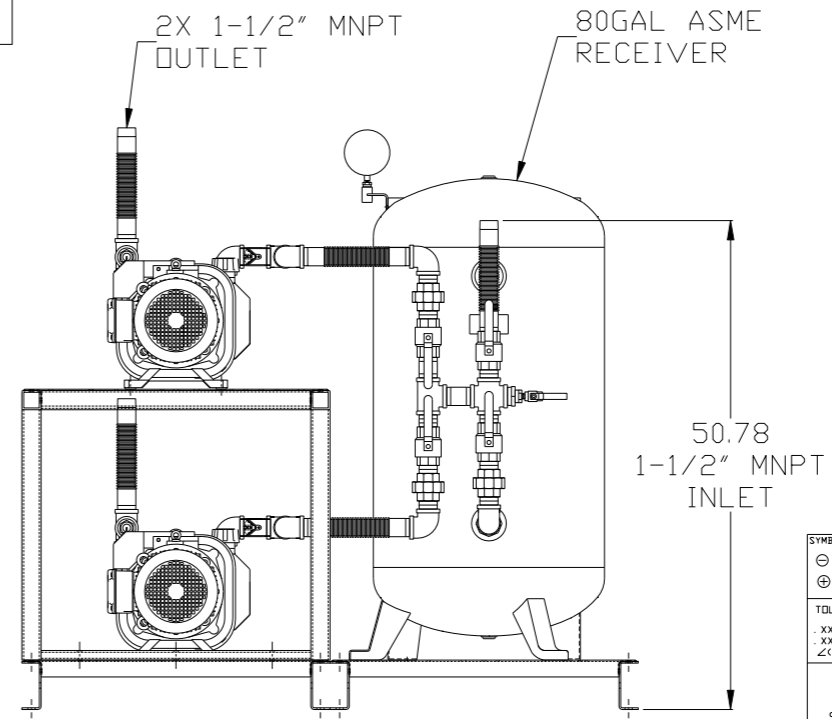
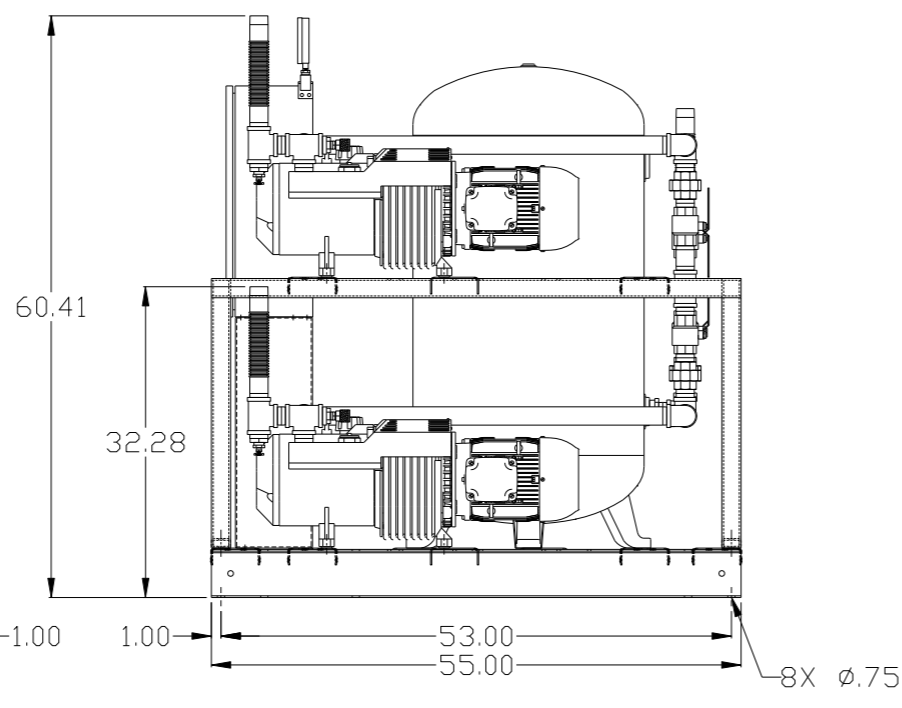
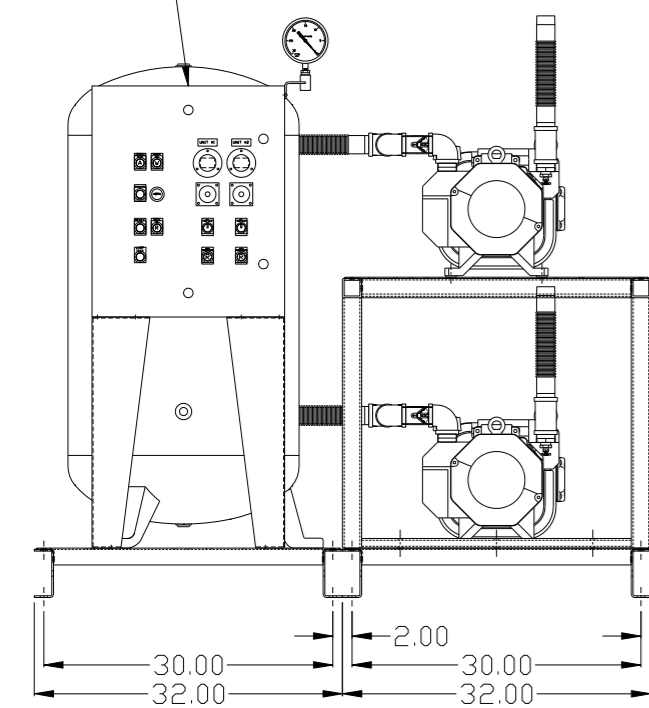
REV	ZONE	REVISION	DATE	ECN	NAME	CHKD
B-1	ALL	RELEASE TO PRODUCTION	2/5/18	PKC0020	AEK	GES

MINIMUM RECOMMENDED ELECTRICAL CLEARANCE PER OSHA/NEC REQUIREMENTS



MINIMUM RECOMMENDED MAINTENANCE CLEARANCE

CONTROL PANEL

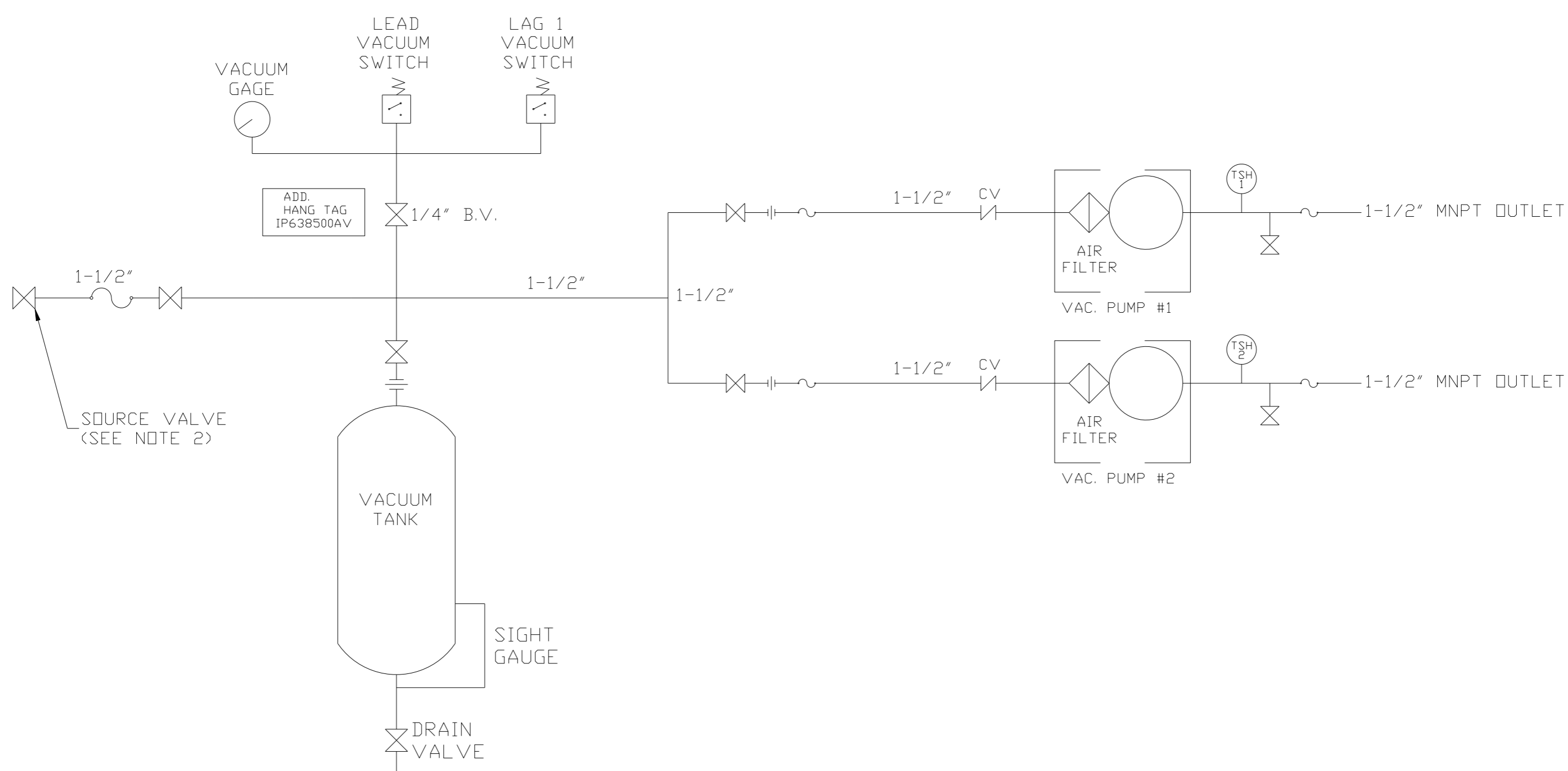


NOTE: SYSTEM DESIGNED IN COMPLIANCE WITH U.S. NFPA '99, LATEST EDITION.

SYMBOL LEGEND		= ADDITIONAL CONTROL REQ'D		Drawings to conform to the current revision of the following ANSI standards:	
⊖	MINUS DRAFT	⊕	PLUS DRAFT	⊖	BRINELL HARDNESS
TOLERANCES NOT SPECIFIED		AUTOCAD REL2014 LT		DO NOT SCALE DRAWING FOR DIMENSIONS	
.XX ±		INCH		Sheet 1 of 2	SCALE 1:10
CONFIDENTIAL DISCLOSURE: This drawing is the property of POWEREX, INC. of the SCOTT FEITZER COMPANY and subject to return on demand. Its contents are confidential and must not be copied or submitted to outside parties for use or examination.					
DRAWN BY		CHECKED BY		APPROVED BY	
AEK		GES		DMS RJR	
2/5/18		2/5/18		2/5/18 2/5/18	
MATERIAL		N/A			
PART NAME		5HP OILLESS VACUUM DUPLEX 80GAL		DWG NO VOPD0503	
				SIZE D	

REV	ZONE	REVISION	DATE	ECN	NAME	CHKD
B-1	ALL	RELEASE TO PRODUCTION	2/5/18	PKC0020	AEK	GES

8 7 6 5 4 3 2 1



LEGEND	
	TEMP. SWITCH
	AIR FILTER
	BALL VALVE
	UNION
	VACUUM SWITCH
	CHECK VALVE
	FLEX LINE

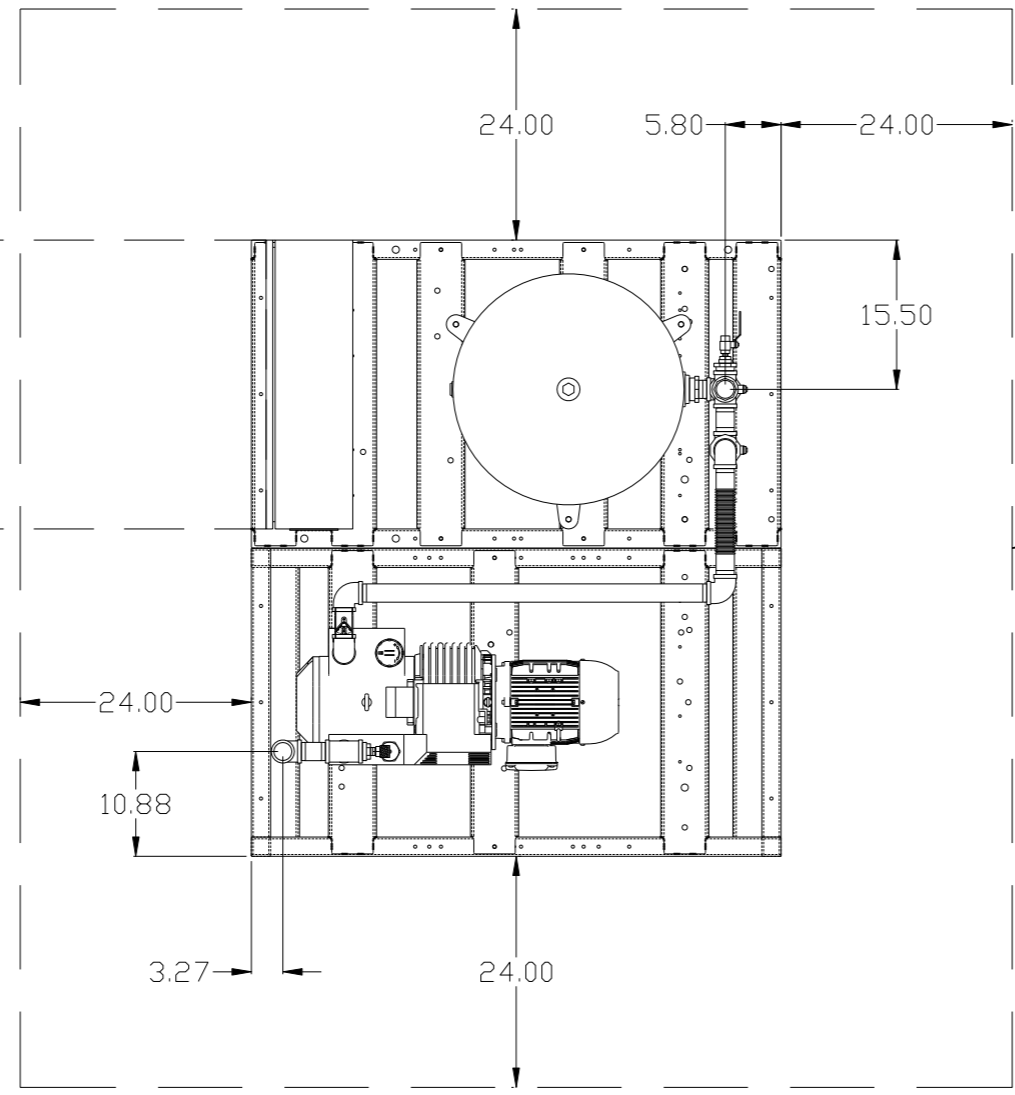
NOTES:  
 1) TSH - TEMPERATURE SWITCH HIGH  
 2) PER NFPA THE SYSTEM WILL REQUIRE A SOURCE VALVE (SUPPLIED BY OTHERS).

<b>SYMBOL LEGEND</b> ⊖ = MINUS DRAFT ⊕ = PLUS DRAFT TOLERANCES NOT SPECIFIED .XX ± .XXX ± << DEG > ±		= ADDITIONAL CONTROL REQ'D = BRINELL HARDNESS		Drawings to conform to the current revision of the following ANSI standards: Y14.3 Multi and sectional view dsgs. Y14.5M Dimensioning and tolerancing
AUTOCAD REL2014 LT INCH		DO NOT SCALE DRAWING FOR DIMENSIONS Sheet 2 of 2 SCALE 1:10		
<b>CONFIDENTIAL DISCLOSURE</b> This drawing is the property of POWEREX, INC. of the SCOTT FETZER COMPANY and subject to return on demand. Its contents are confidential and must not be copied or submitted to outside parties for use or examination.		DRAWN BY AEK 2/5/18	CHECKED BY GES 2/5/18	APPROVED BY ENGINEERING MFG/MRKTG DMS RJR 2/5/18 2/5/18
MATERIAL N/A		 150 PRODUCTION DRIVE, HARRISON, OHIO 45030 Ph 888-769-7979 FAX (513) 367-3125		
PART NAME OILLESS VACUUM FLOW SCHEMATIC		DWG NO VOPD0503	SIZE D	

8 7 6 5 4 3 2 1

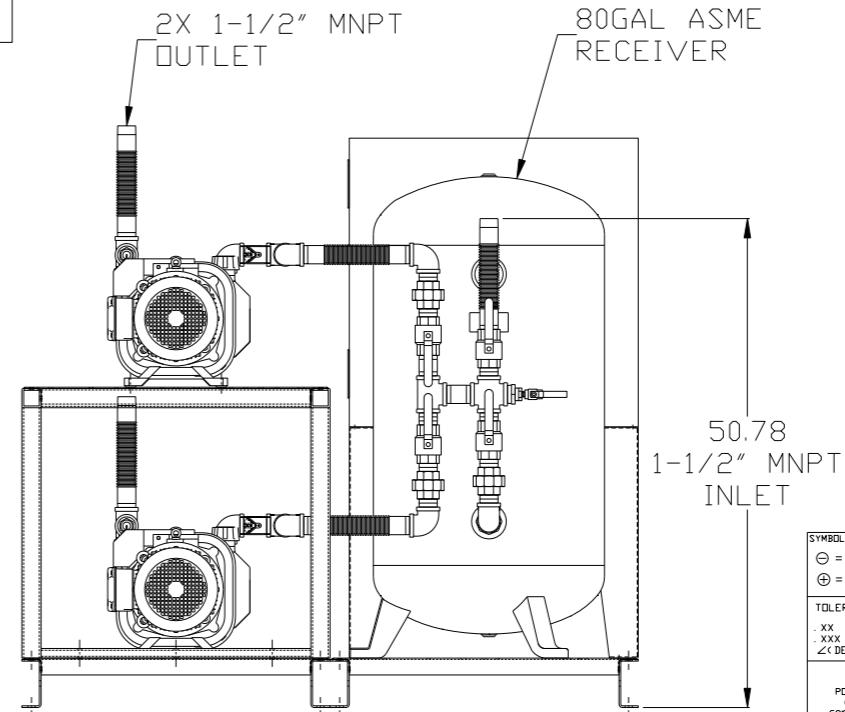
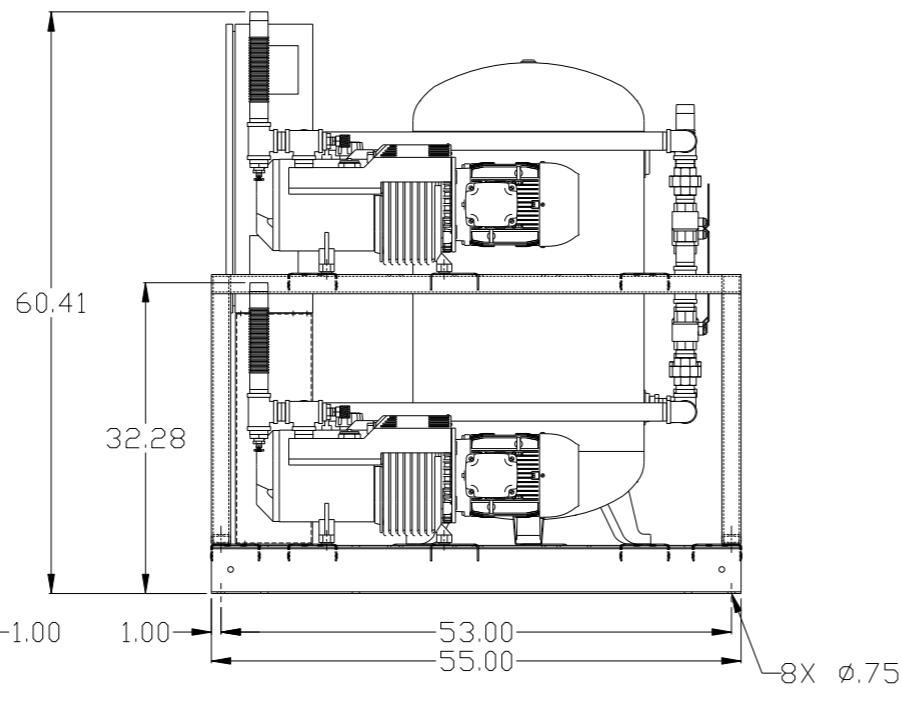
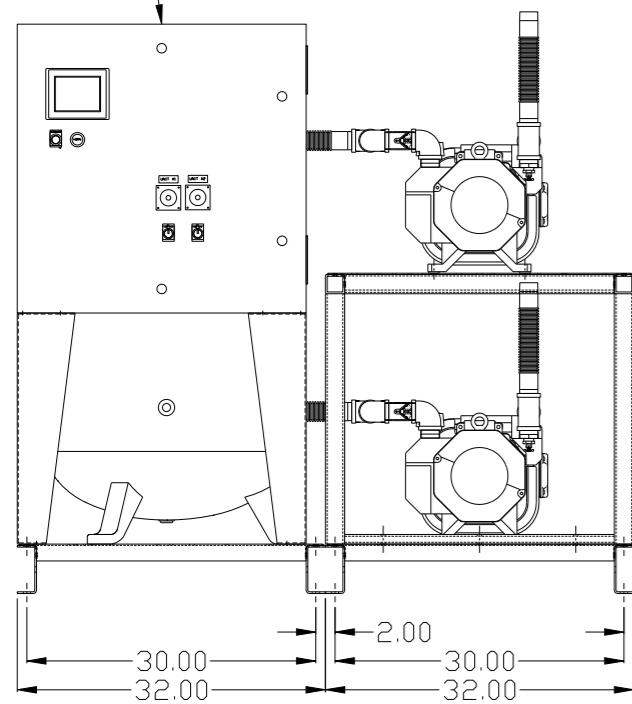
REV	ZONE	REVISION	DATE	ECN	NAME	CHKD
B-1	ALL	RELEASE TO PRODUCTION	2/5/18	PKE0020	AEK	GES

MINIMUM RECOMMENDED ELECTRICAL CLEARANCE PER OSHA/NEC REQUIREMENTS



MINIMUM RECOMMENDED MAINTENANCE CLEARANCE

PBMI CONTROL PANEL

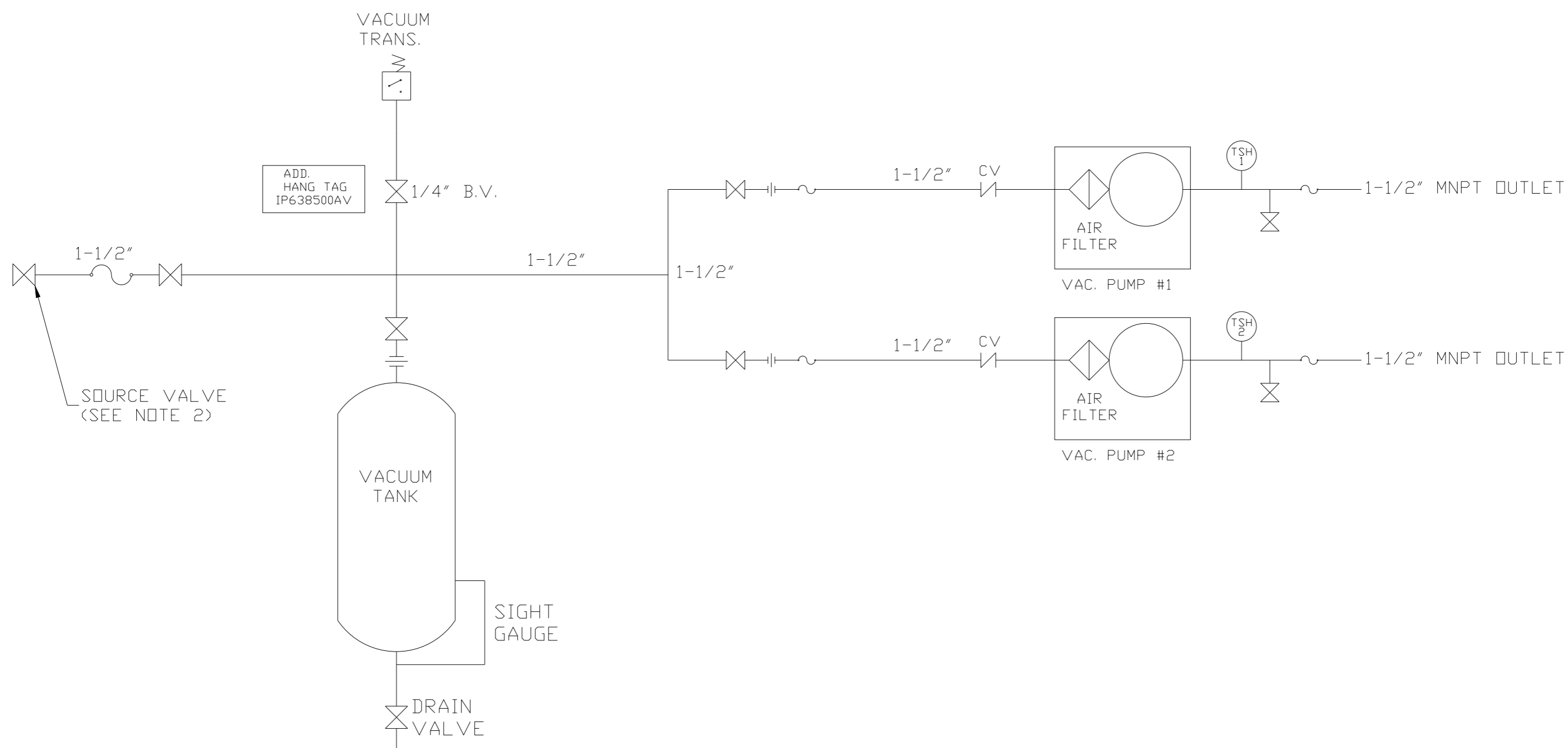


NOTE: SYSTEM DESIGNED IN COMPLIANCE WITH U.S. NFPA '99, LATEST EDITION.

SYMBOL LEGEND		= ADDITIONAL CONTROL REQ'D		Drawings to conform to the current revision of the following ANSI standards:	
⊖	MINUS DRAFT	⊕	PLUS DRAFT	⊖	Y14.3 Multi and sectional view dsgs.
⊕	PLUS DRAFT	⊖	MINUS DRAFT	⊕	Y14.5M Dimensioning and tolerancing
TOLERANCES NOT SPECIFIED		AUTOCAD REL2014 LT		DO NOT SCALE DRAWING FOR DIMENSIONS	
.XX	±	INCH		Sheet 1 of 2	
.XXX	±			SCALE 1:10	
<Z< DEG	±				
CONFIDENTIAL DISCLOSURE					
This drawing is the property of POWEREX, INC. of the SCOTT FETZER COMPANY and subject to return on demand. Its contents are confidential and must not be copied or submitted to outside parties for use or examination.					
DRAWN BY		CHECKED BY		APPROVED BY	
AEK		GES		DMS RJR	
2/5/18		2/5/18		2/5/18 2/5/18	
MATERIAL		N/A		POWEREX	
PART NAME		SHP OILLESS VACUUM		150 PRODUCTION DRIVE, HARRISON, OHIO 45030	
DUPLX 80GAL		DWG NO		VOPD0503	
				SIZE D	

REV	ZONE	REVISION	DATE	ECN	NAME	CHKD
B-1	ALL	RELEASE TO PRODUCTION	2/5/18	PKC0020	AEK	GES

8 7 6 5 4 3 2 1



ADD.  
HANG TAG  
IP638500AV

SOURCE VALVE  
(SEE NOTE 2)

VACUUM  
TANK

SIGHT  
GAUGE

DRAIN  
VALVE

VACUUM  
TRANS.

1/4" B.V.

AIR  
FILTER  
VAC. PUMP #1

AIR  
FILTER  
VAC. PUMP #2

1-1/2" MNPT OUTLET

1-1/2" MNPT OUTLET

LEGEND

	TEMP. SWITCH		VACUUM SWITCH
	AIR FILTER		CHECK VALVE
	BALL VALVE		FLEX LINE
	UNION		

NOTES:  
1) TSH - TEMPERATURE SWITCH HIGH  
2) PER NFPA THE SYSTEM WILL REQUIRE A SOURCE VALVE (SUPPLIED BY OTHERS).

SYMBOL LEGEND ⊖ = MINUS DRAFT ⊕ = PLUS DRAFT TOLERANCES NOT SPECIFIED .XX ± .XXX ± << DEG > ±		= ADDITIONAL CONTROL REQ'D = BRINELL HARDNESS		Drawings to conform to the current revision of the following ANSI standards: Y14.3 Multi and sectional view dngs. Y14.5M Dimensioning and tolerancing
AUTOCAD REL2014 LT INCH		DO NOT SCALE DRAWING FOR DIMENSIONS Sheet 2 of 2 SCALE 1:10		
CONFIDENTIAL DISCLOSURE This drawing is the property of POWEREX, INC. of the SCOTT FETZER COMPANY and subject to return on demand. Its contents are confidential and must not be copied or submitted to outside parties for use or examination.				
DRAWN BY AEK	CHECKED BY GES	APPROVED BY DMS	MFG/MRKTG RJR	
MATERIAL N/A	 150 PRODUCTION DRIVE, HARRISON, OHIO 45030 Ph 888-769-7979 FAX (513) 367-3125			
PART NAME OILLESS VACUUM FLOW SCHEMATIC		DWG NO VOPD0503	SIZE D	

8 7 6 5 4 3 2 1