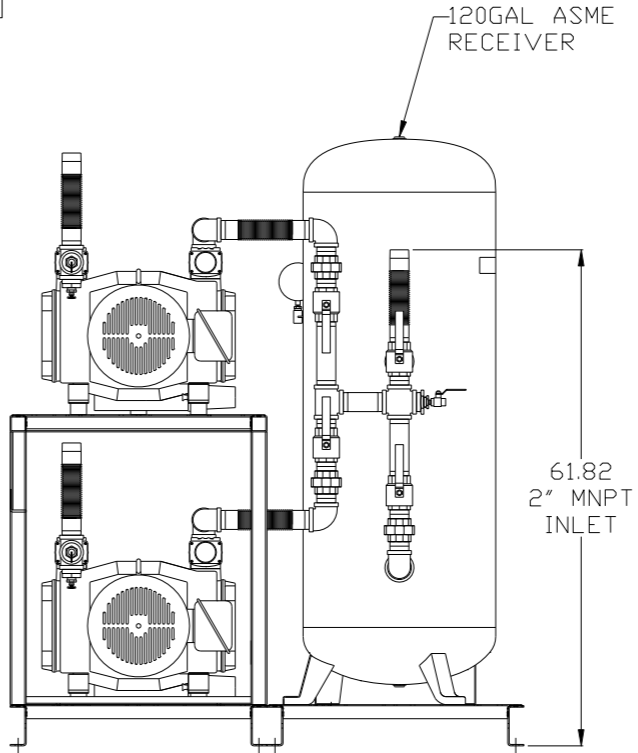
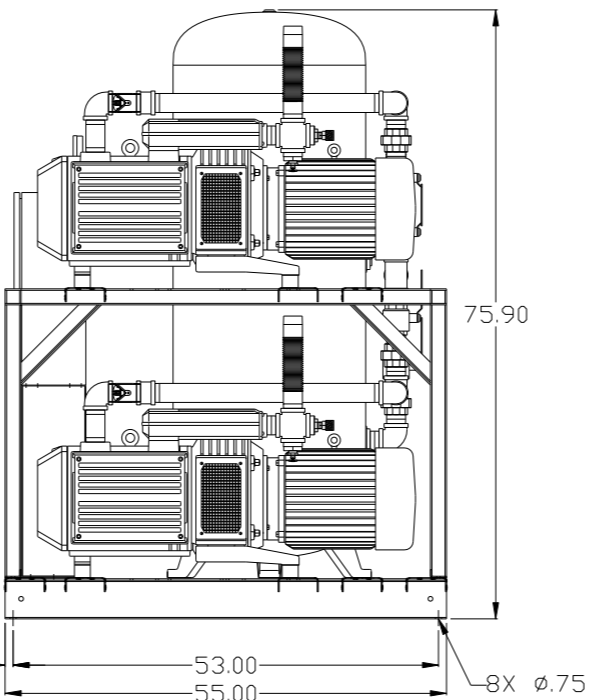
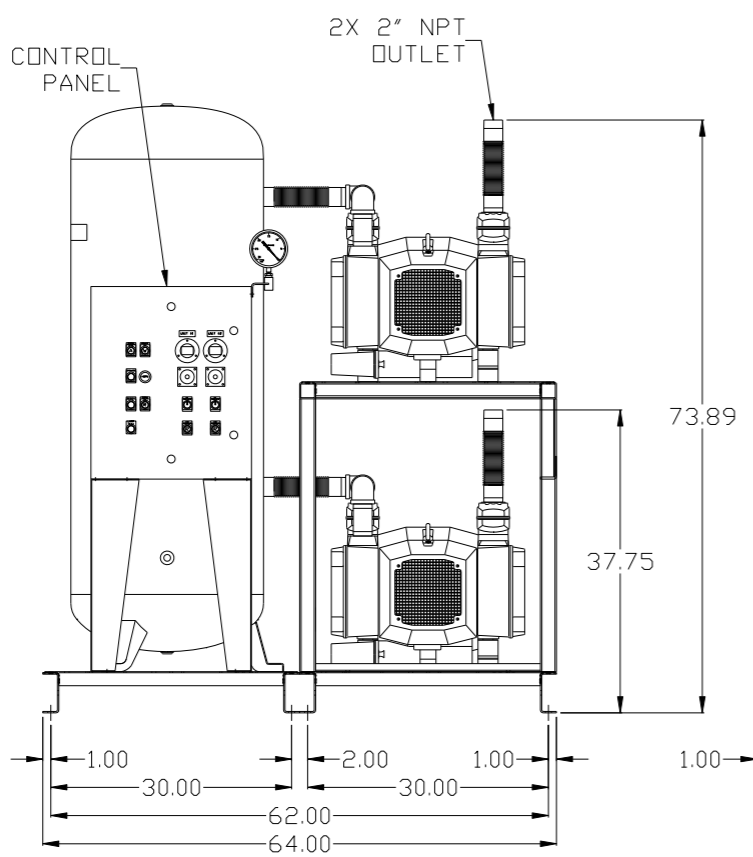
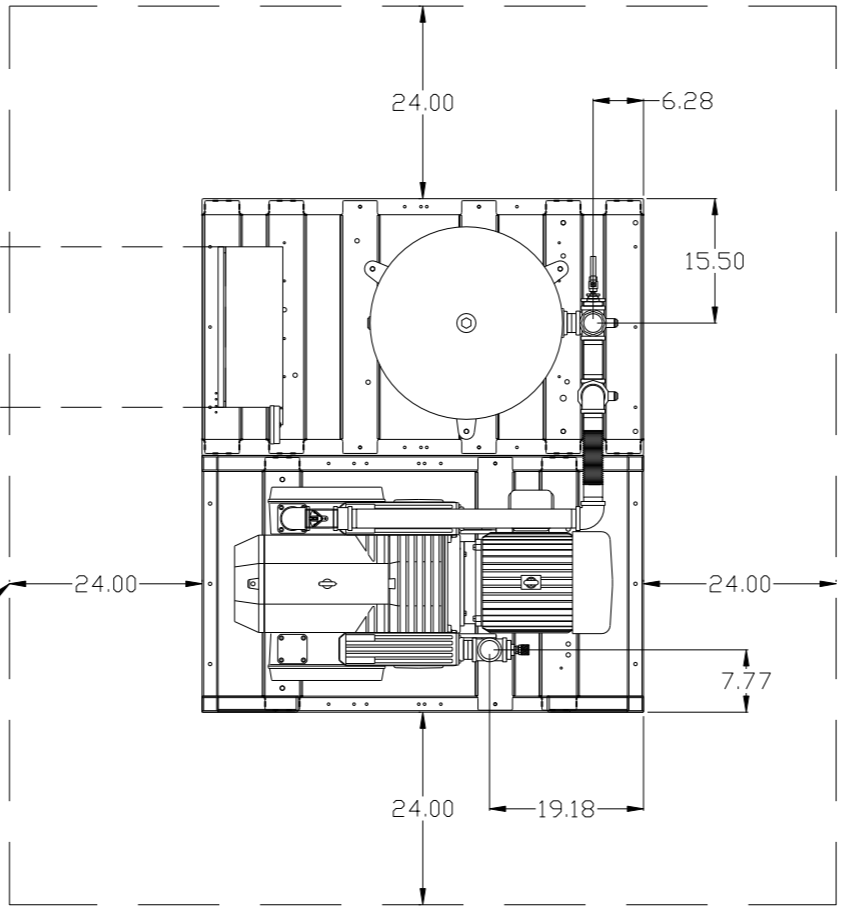


8 7 6 5 4 3 2 1

REV	ZONE	REVISION	DATE	ECN	NAME	CHKD
B-1	ALL	RELEASE TO PRODUCTION	3/6/08	21906	AEK	GES
C-1	1 ALL	MOVED PRESSURE GAUGE TO PANEL	3/19/08	21907	AEK	GES
C-2	2 B6	REMOVED SIGHT GAUGE FROM FLOW SCHEMATIC	4/22/08	21907	AEK	GES
C-3	1 ALL	REDREW BUILD TO REFLECT CURRENT PRODUCTION	10/24/08	21907	AEK	DMS
D-1	1 ALL	REMOVED VACUUM SWITCHES FROM CONTROL PANEL	11/19/09	22127	AEK	GES
E-1	2 CE, D8	ADDED DRIP LEGS	6/16/11	22546	AEK	GES
F-1	2 B5 2 ALL	ADDED SIGHT GAUGE ADDED SOURCE VALVE INFORMATION	2/14/13	PXEC0030	AEK	DMS
G-1	ALL ALL	ADDED CENTER OF GRAVITY (SHEETS 3 & 4) MADE HIGH TEMP STANDARD	4/30/14	PXEC0067	AEK	GES
H-1	ALL	ADDED P&ID SHEETS	2/11/16	PXEC0139	AEK	GES

MINIMUM RECOMMENDED
ELECTRICAL CLEARANCE
PER OSHA/NEC REQUIREMENTS

MINIMUM RECOMMENDED
MAINTENANCE CLEARANCE



SYMBOL LEGEND
 ⊖ = MINUS DRAFT
 ⊕ = PLUS DRAFT
 ⊕ = ADDITIONAL CONTROL REQ'D
 ⊕ = BRINELL HARDNESS

TOLERANCES NOT SPECIFIED
 .XX ±
 .XXX ±
 \angle (DEG) ±

AUTOCAD REL2008LT
 INCH

DO NOT SCALE DRAWING FOR DIMENSIONS
 Sheet 1 of 4
 SCALE 1:12

CONFIDENTIAL DISCLOSURE
 This drawing is the property of POWEREX, INC. of the SCOTT FETZER COMPANY and subject to return on demand. Its contents are confidential and must not be copied or submitted to outside parties for use or examination.

DRAWN BY	CHECKED BY	APPROVED BY	DATE
AEK	GES	DMS	3/6/08
		RJR	3/6/08

MATERIAL
N/A

PART NAME
10HP DILLESS VAC
120GAL DUPLEX

POWEREX
 150 PRODUCTION DRIVE, HARRISON, OHIO 45030
 Ph: 888-769-7979 FAX: (513) 367-3125

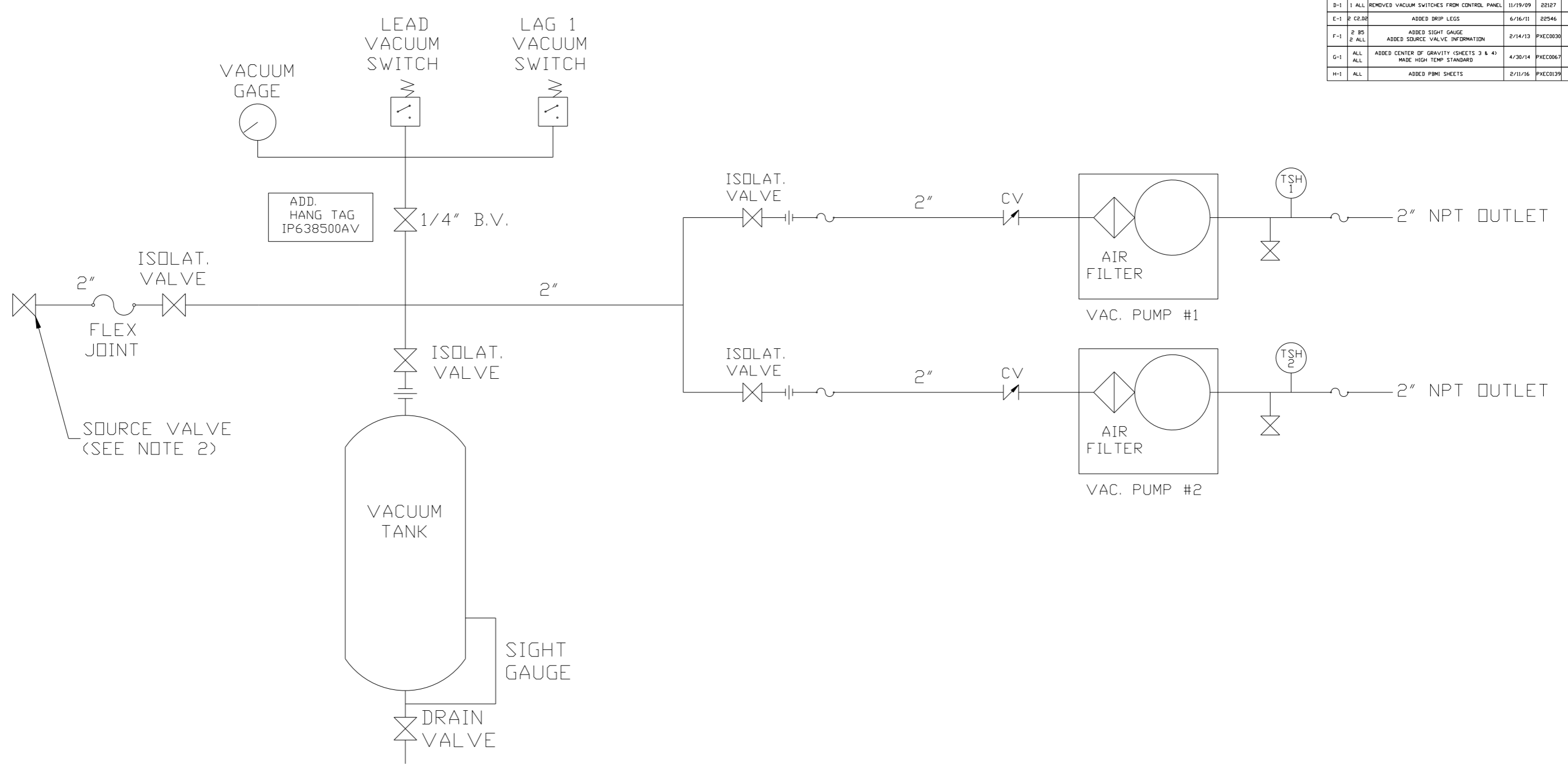
DWG NO
VOPD1004

SIZE
D

VOPD1004BK.dwg

8 7 6 5 4 3 2 1

REV	ZONE	REVISION	DATE	ECN	NAME	CHKD
B-1	ALL	RELEASE TO PRODUCTION	3/6/08	21906	AEK	GES
C-1	1 ALL	MOVED PRESSURE GAUGE TO PANEL	3/19/08	21907	AEK	GES
C-2	2 B6	REMOVED SIGHT GAUGE FROM FLOW SCHEMATIC	4/22/08	21907	AEK	GES
C-3	1 ALL	REDREW BUILD TO REFLECT CURRENT PRODUCTION	10/24/08	21907	AEK	DMS
D-1	1 ALL	REMOVED VACUUM SWITCHES FROM CONTROL PANEL	11/19/09	22127	AEK	GES
E-1	2 CE, D8	ADDED DRIP LEGS	6/16/11	22546	AEK	GES
F-1	2 B5 2 ALL	ADDED SIGHT GAUGE ADDED SOURCE VALVE INFORMATION	2/14/13	PXEC0030	AEK	DMS
G-1	ALL ALL	ADDED CENTER OF GRAVITY (SHEETS 3 & 4) MADE HIGH TEMP STANDARD	4/30/14	PXEC0067	AEK	GES
H-1	ALL	ADDED P&ID SHEETS	2/11/16	PXEC0139	AEK	GES

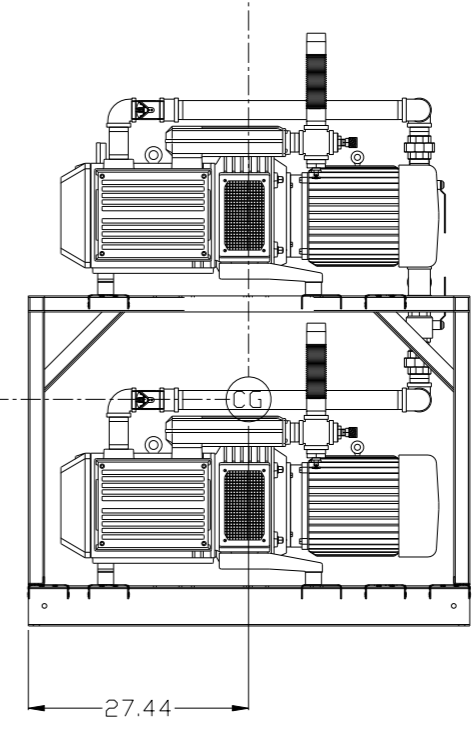
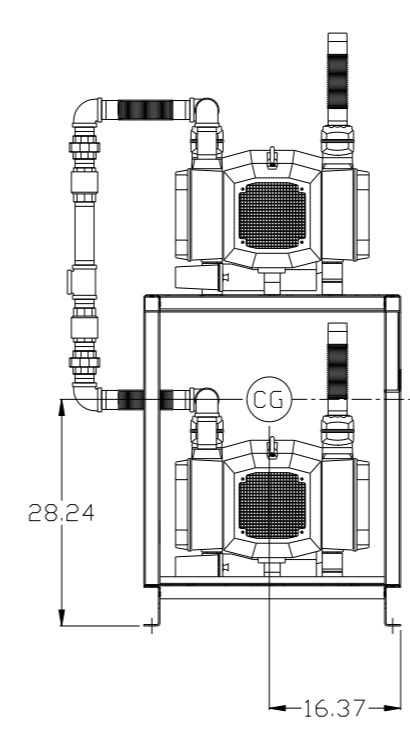
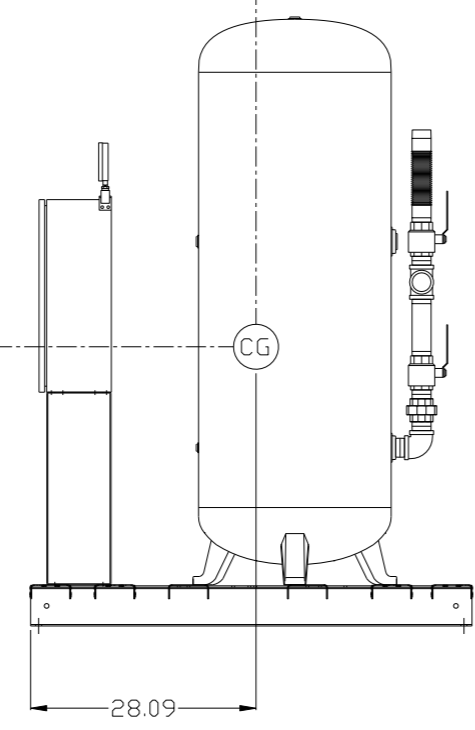
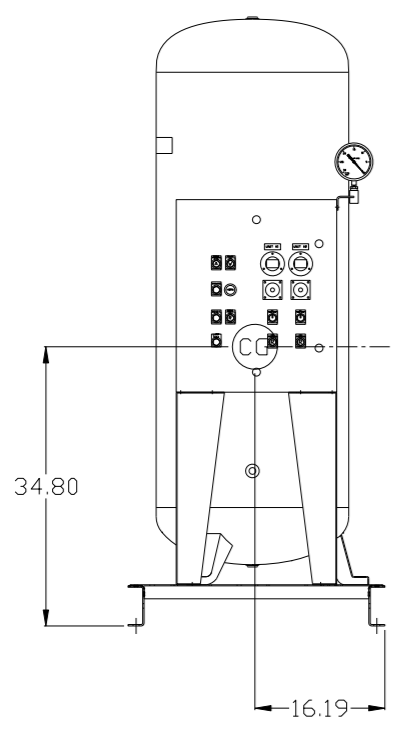
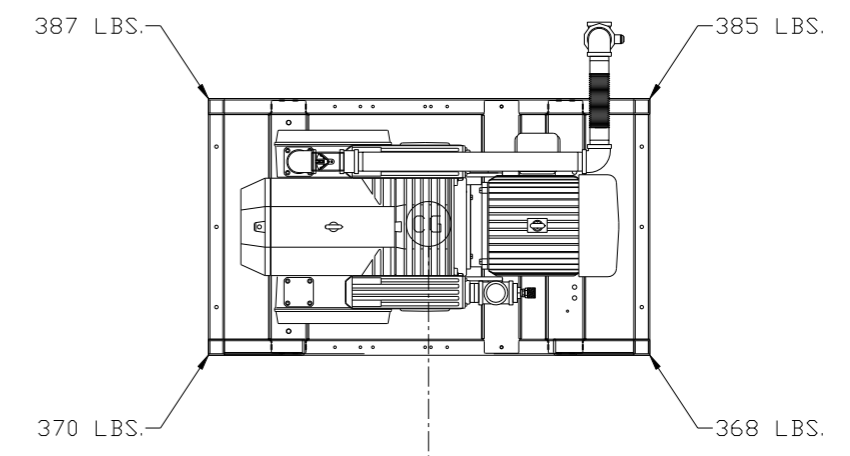
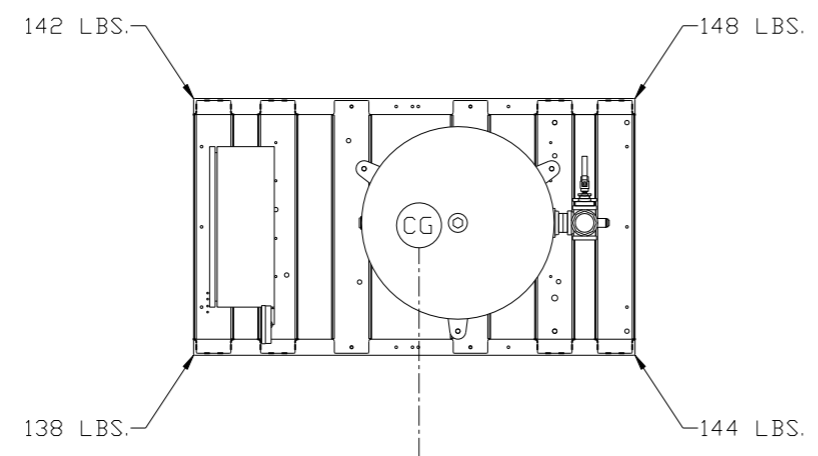


LEGEND	
	TEMP. SWITCH
	VACUUM SWITCH
	AIR FILTER
	BALL VALVE
	CHECK VALVE
	FLEX LINE
	UNION

NOTES:
 1) TSH - TEMPERATURE SWITCH HIGH
 2) PER NFPA THE SYSTEM WILL REQUIRE A SOURCE VALVE (SUPPLIED BY OTHERS).

SYMBOL LEGEND			ADDITIONAL CONTROL REQ'D	Drawings to conform to the current revision of the following ANSI standards
	MINUS DRAFT		BRINELL HARDNESS	Y14.3 Multi and sectional view dsgs. Y14.5M Dimensioning and tolerancing
TOLERANCES NOT SPECIFIED		AUTOCAD REL2008LT	DO NOT SCALE DRAWING FOR DIMENSIONS	
.XX ±	.XXX ±	<DEG> ±	INCH	SCALE 1:12
CONFIDENTIAL DISCLOSURE This drawing is the property of POWEREX, INC. or the SCOTT FELTZER COMPANY and subject to return on demand. Its contents are confidential and must not be copied or submitted to outside parties for use or examination.				
DRAWN BY	CHECKED BY	APPROVED BY	ENGINEERING	MFG/MRKTG
AEK	GES	DMS	RJR	
3/6/08	3/6/08	3/6/08	3/6/08	3/6/08
MATERIAL		N/A		
PART NAME		DUPLX OILLESS VAC FLOW SCHEMATIC		
DWG NO		VOPD1004		
SIZE		D		

REV	ZONE	REVISION	DATE	ECN	NAME	CHKD
G-1	ALL	ADDED CENTER OF GRAVITY (SHEETS 3 & 4)	4/30/14	PXEC0067	AEK	GES
H-1	ALL	MADE HIGH TEMP STANDARD				
H-1	ALL	ADDED PBMI SHEETS	2/11/16	PXEC0139	AEK	GES



PANEL/TANK SKID:

TOTAL WEIGHT: 572 LBS
 C.O.G. DIMENSIONS
 X (FRONT): -16.19"
 Y (RIGHT): 28.09"
 Z (HEIGHT): 34.80"

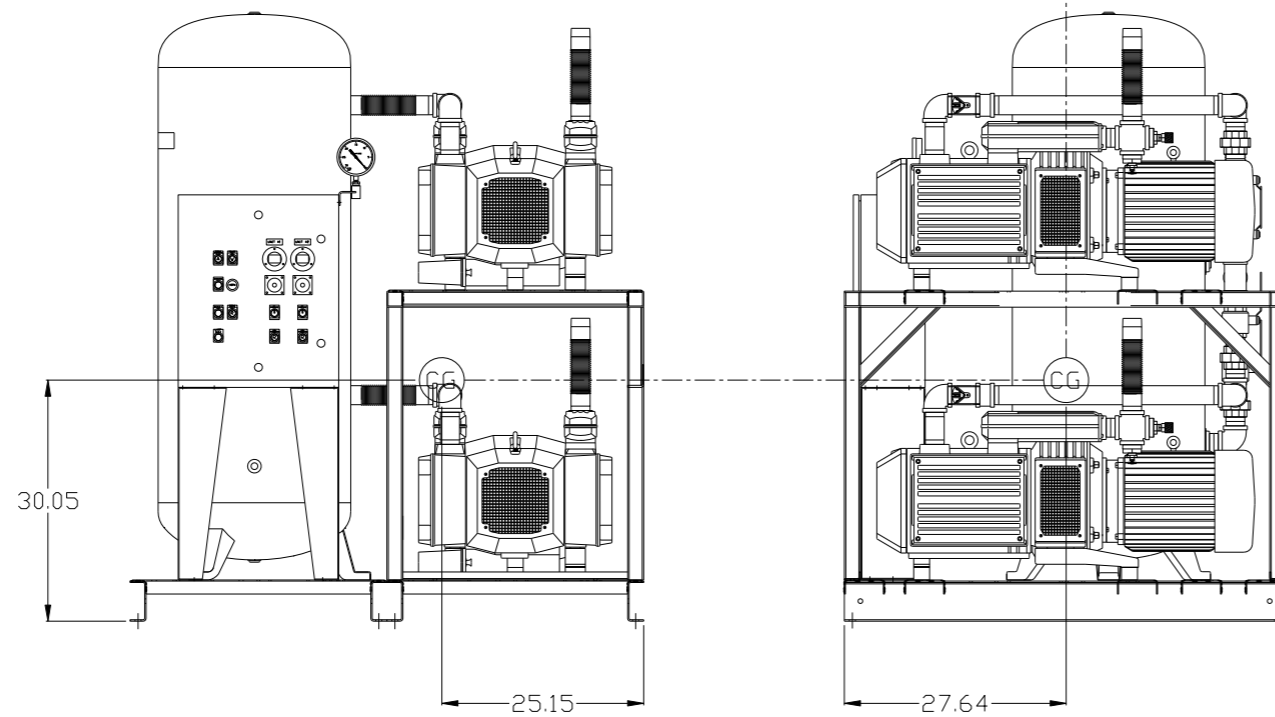
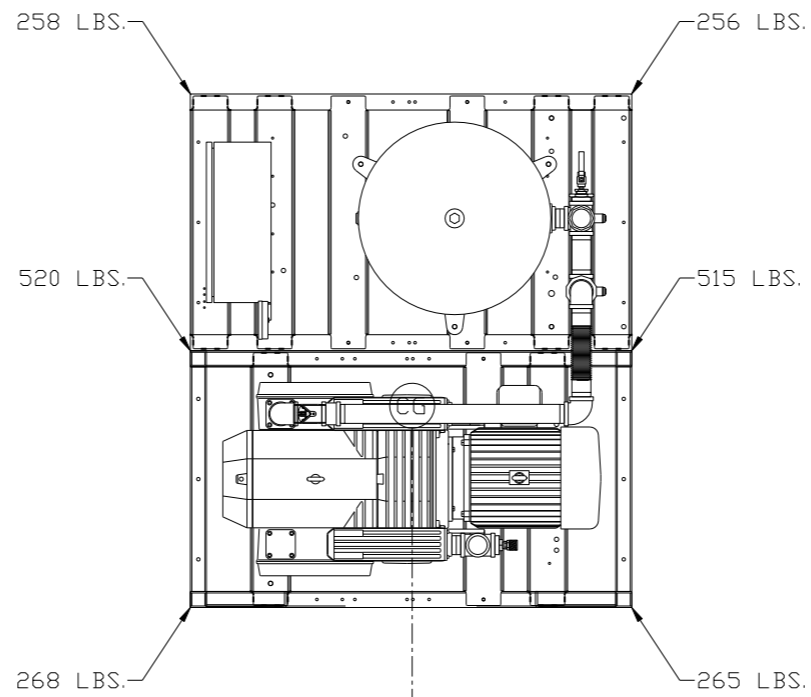
PUMP SKID:

TOTAL WEIGHT: 1510 LBS
 C.O.G. DIMENSIONS
 X (FRONT): -16.37"
 Y (RIGHT): 27.44"
 Z (HEIGHT): 28.24"

denotes center of gravity (CG)

SYMBOL LEGEND ⊖ = MINUS DRAFT ⊕ = PLUS DRAFT ⊕ = ADDITIONAL CONTROL REQ'D HB = BRINELL HARDNESS		Drawings to conform to the current revision of the following ANSI standards: Y14.3 Multi and sectional view dgs. Y14.5M Dimensioning and tolerancing	
TOLERANCES NOT SPECIFIED .XX ± .XXX ± \angle(DEG) ±		AUTOCAD REL2014 LT INCH DO NOT SCALE DRAWING FOR DIMENSIONS Sheet 3 of 4 SCALE 1:12	
CONFIDENTIAL DISCLOSURE This drawing is the property of POWEREX, INC. of the SCOTT FELTZER COMPANY and subject to return on demand. Its contents are confidential and must not be copied or submitted to outside parties for use or examination.			
DRAWN BY AEK		CHECKED BY GES	
MATERIAL N/A		APPROVED BY ENGINEERING MFG/MKTG DMS RJR	
PART NAME 10HP DILLESS VAC 120GAL DUPLEX		DATE 4/30/14	
DWG NO VOPD1004		SIZE D	

REV	ZONE	REVISION	DATE	ECN	NAME	CHKD
G-1	ALL	ADDED CENTER OF GRAVITY (SHEETS 3 & 4) MADE HIGH TEMP STANDARD	4/30/14	PXEC0067	AEK	GES
H-1	ALL	ADDED PBMI SHEETS	2/11/16	PXEC0139	AEK	GES



denotes center of gravity (CG)

VACUUM SYSTEM:

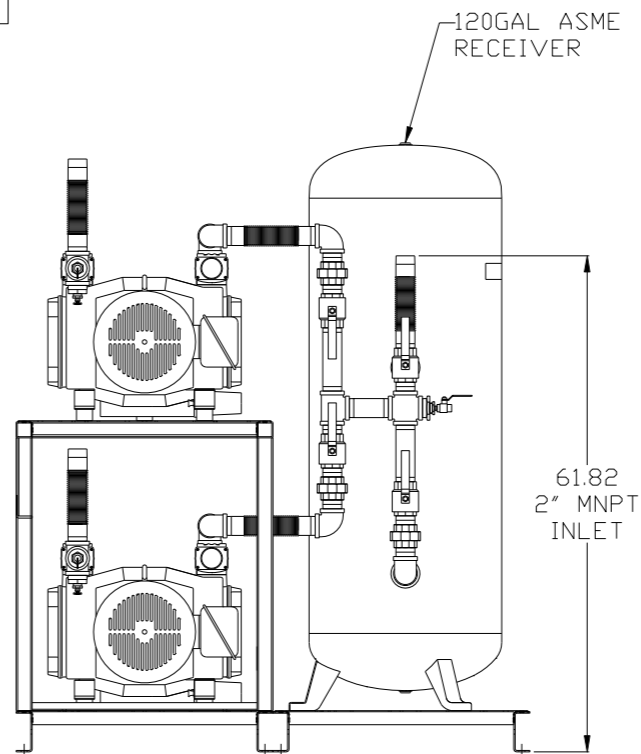
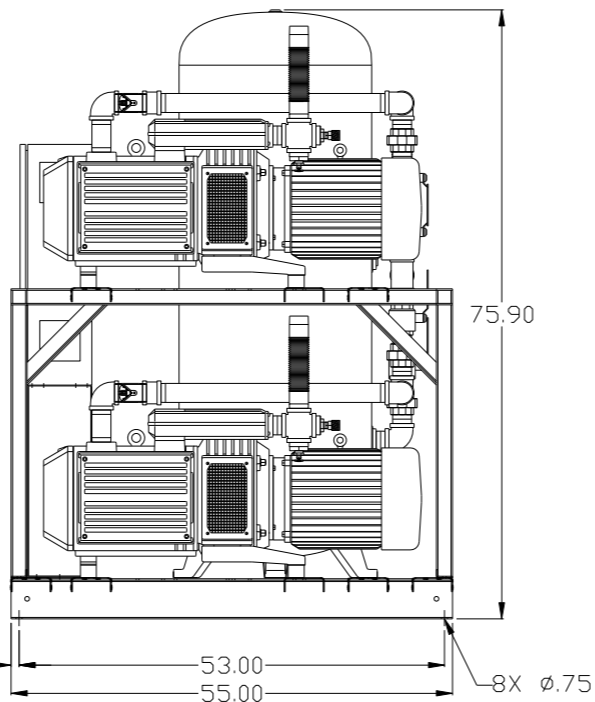
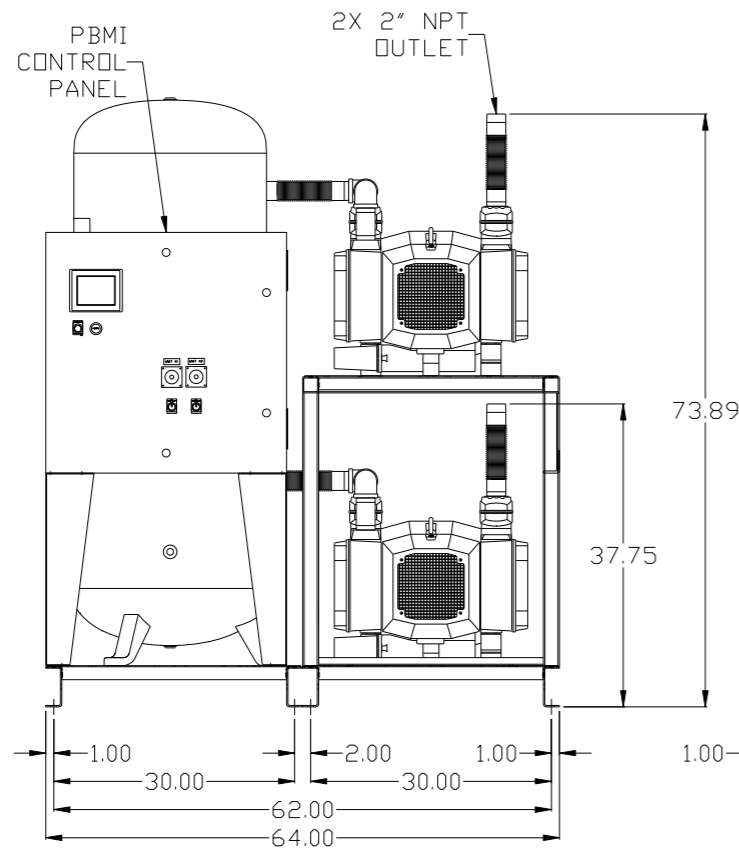
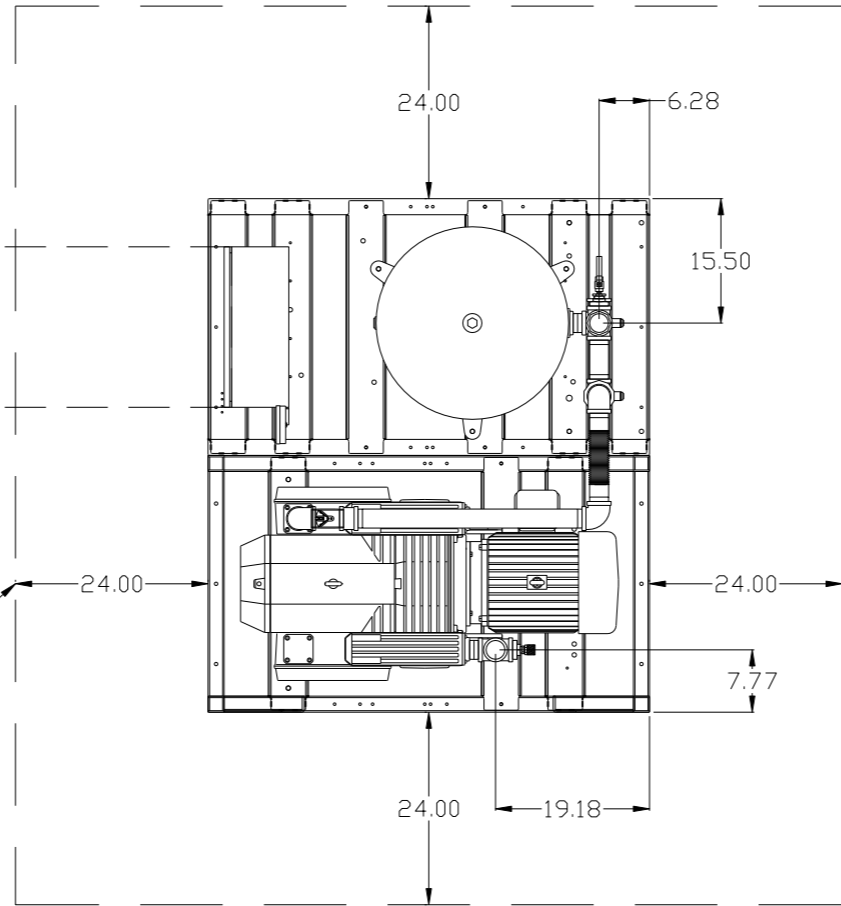
TOTAL WEIGHT: 2082 LBS
 C.O.G. DIMENSIONS
 X (FRONT): -25.15"
 Y (RIGHT): 27.64"
 Z (HEIGHT): 30.05"

SYMBOL LEGEND ⊖ = MINUS DRAFT ⊕ = PLUS DRAFT ⊕ = ADDITIONAL CONTROL REQ'D HRC = BRINELL HARDNESS		Drawings to conform to the current revision of the following ANSI standards: Y14.3 Multi and sectional view dsgs. Y14.5M Dimensioning and tolerancing	
TOLERANCES NOT SPECIFIED .XX ± .XXX ± \angle (DEG.) ±		AUTOCAD REL2014 LT INCH DO NOT SCALE DRAWING FOR DIMENSIONS Sheet 4 of 4 SCALE 1:12	
CONFIDENTIAL DISCLOSURE This drawing is the property of POWEREX, INC. of the SCOTT FETZER COMPANY and subject to return on demand. Its contents are confidential and must not be copied or submitted to outside parties for use or examination.			
DRAWN BY AEK		CHECKED BY GES	
APPROVED BY DMS		APPROVED BY RJR	
DATE 4/30/14		DATE 4/30/14	
MATERIAL N/A		DATE 4/30/14	
PART NAME 10HP DILLESS VAC 120GAL DUPLEX		SIZE VOPD1004	

REV	ZONE	REVISION	DATE	ECN	NAME	CHKD
H-1	ALL	ADDED PBMI SHEETS	2/11/16	PXEC0139	AEK	GES

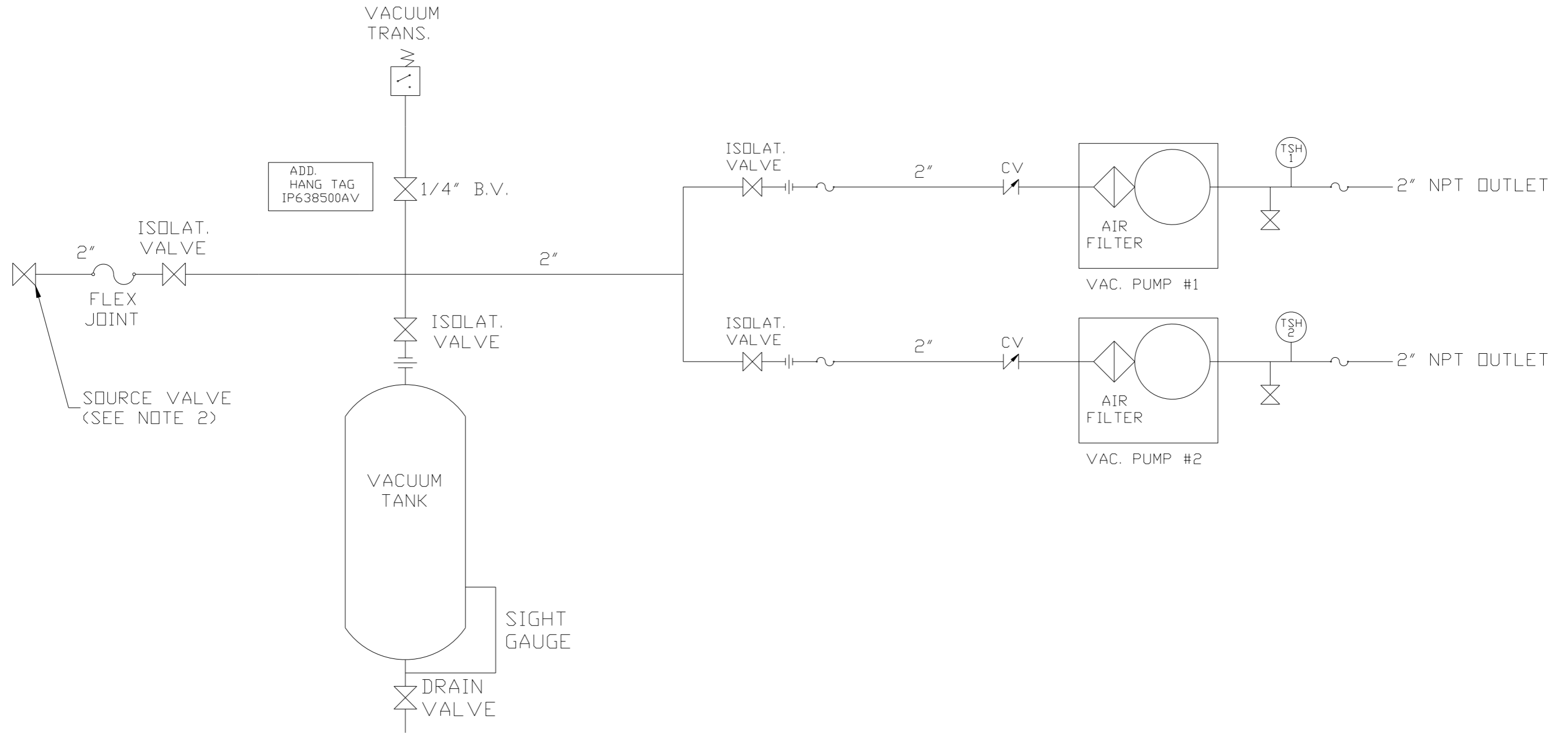
MINIMUM RECOMMENDED ELECTRICAL CLEARANCE PER OSHA/NEC REQUIREMENTS

MINIMUM RECOMMENDED MAINTENANCE CLEARANCE



SYMBOL LEGEND ⊖ = MINUS DRAFT ⊕ = PLUS DRAFT TOLERANCES NOT SPECIFIED .XX ± .XXX ± \angle(DEG) ±		= ADDITIONAL CONTROL REQ'D = BRINELL HARDNESS		Drawings to conform to the current revision of the following ANSI standards: Y14.3 Multi and sectional view dsgs. Y14.5M Dimensioning and tolerancing	
AUTOCAD REL2014 LT INCH		DO NOT SCALE DRAWING FOR DIMENSIONS Sheet 1 of 4 SCALE 1:12		CONFIDENTIAL DISCLOSURE This drawing is the property of POWEREX, INC. of the SCOTT FEITZER COMPANY and subject to return on demand. Its contents are confidential and must not be copied or submitted to outside parties for use or examination.	
DRAWN BY AEK		CHECKED BY GES		APPROVED BY ENGINEERING MFG/MRKTG KMD RJR	
MATERIAL N/A		DATE 2/11/16		DATE 2/11/16 2/11/16 2/11/16	
PART NAME 10HP DILLESS VAC 120GAL DUPLEX		DWG NO VOPD1004		SIZE D	

REV	ZONE	REVISION	DATE	ECN	NAME	CHKD
H-1	ALL	ADDED P&MI SHEETS	2/11/16	PXEC0139	AEK	GES



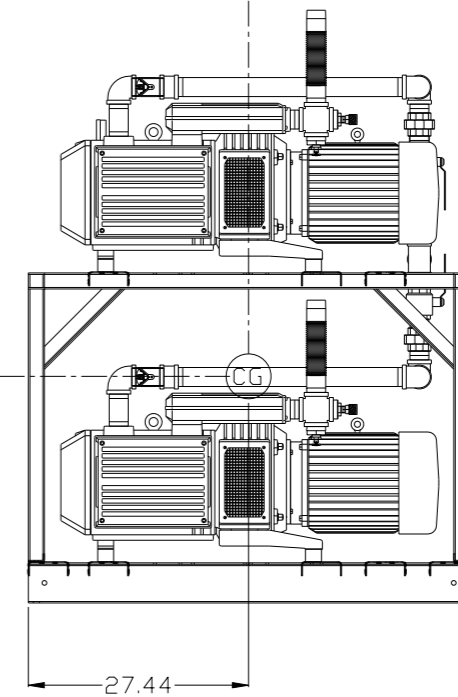
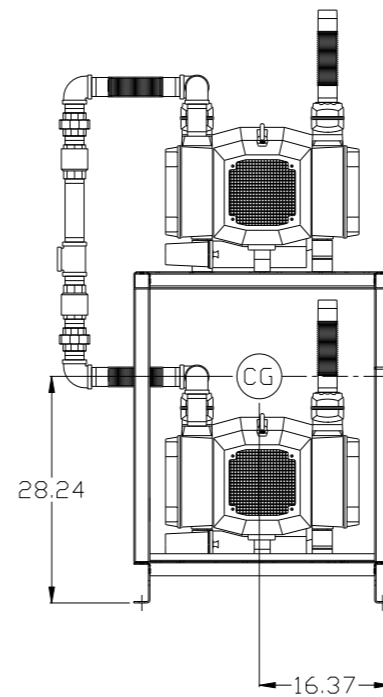
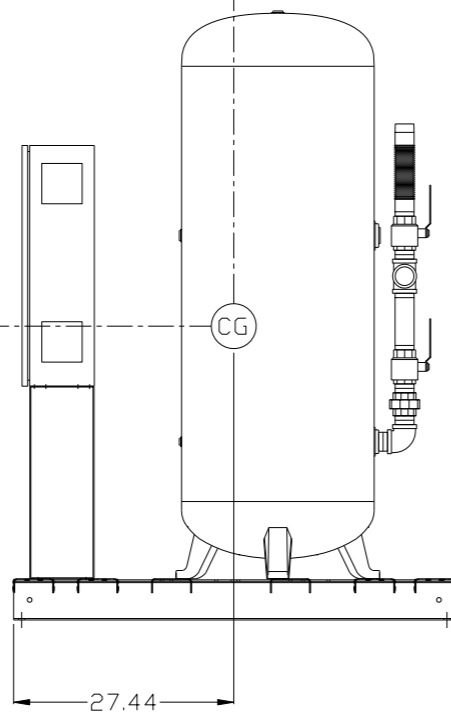
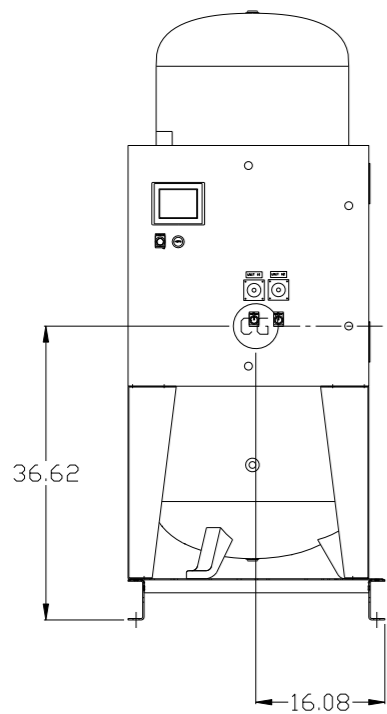
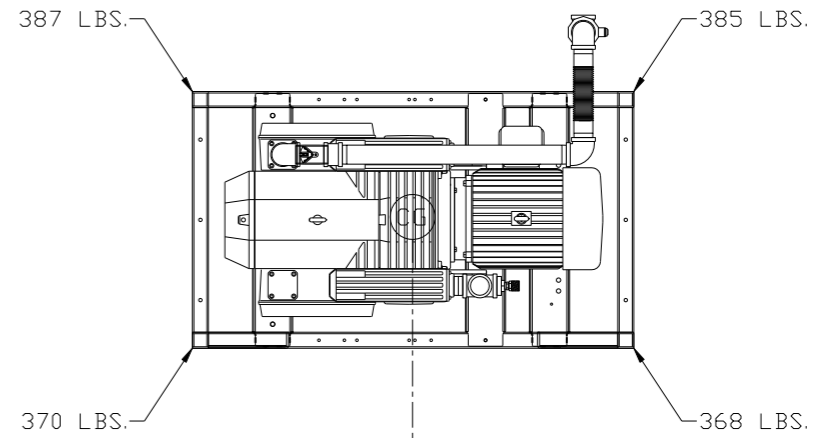
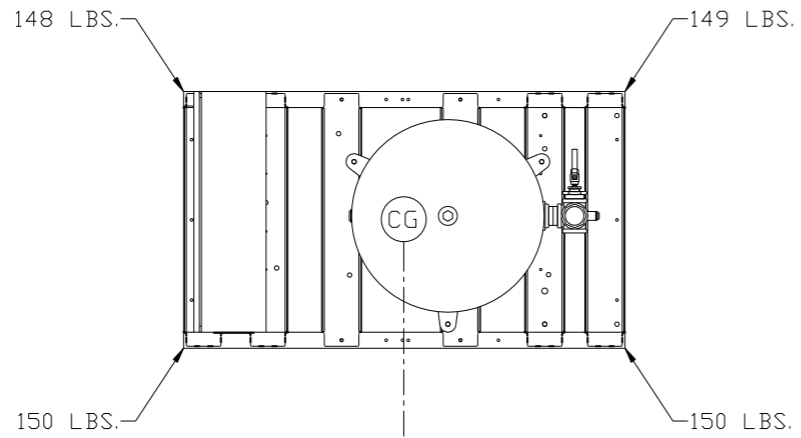
ADD.
HANG TAG
IP638500AV

LEGEND	
	TEMP. SWITCH
	AIR FILTER
	BALL VALVE
	VACUUM SWITCH
	CHECK VALVE
	FLEX LINE
	UNION

NOTES:
 1) TSH - TEMPERATURE SWITCH HIGH
 2) PER NFPA THE SYSTEM WILL REQUIRE A SOURCE VALVE (SUPPLIED BY OTHERS).

SYMBOL LEGEND		= ADDITIONAL CONTROL REQ'D		Drawings to conform to the current revision of the following ANSI standards	
= MINUS DRAFT		= BRINELL HARDNESS		Y14.3 Multi and sectional view dsgs. Y14.5M Dimensioning and tolerancing	
= PLUS DRAFT					
TOLERANCES NOT SPECIFIED		AUTOCAD REL2014 LT		DO NOT SCALE DRAWING FOR DIMENSIONS	
.XX ±		INCH		Sheet 2 of 4	
.XXX ±				SCALE 1:12	
∠(DEG) ±					
CONFIDENTIAL DISCLOSURE This drawing is the property of POWEREX, INC. or the SCOTT FETZER COMPANY and subject to return on demand. Its contents are confidential and must not be copied or submitted to outside parties for use or examination.					
DRAWN BY		CHECKED BY		APPROVED BY	
AEK		GES		KMD RJR	
2/11/16		2/11/16		2/11/16 2/11/16	
MATERIAL N/A					
PART NAME					
DUPLEX OILLESS VAC					
FLOW SCHEMATIC					
DWG NO				SIZE	
VOPD1004				D	

REV	ZONE	REVISION	DATE	ECN	NAME	CHKD
H-1	ALL	ADDED PBM SHEETS	2/11/16	PXEC0139	AEK	GES



denotes center of gravity (CG)

PANEL/TANK SKID:

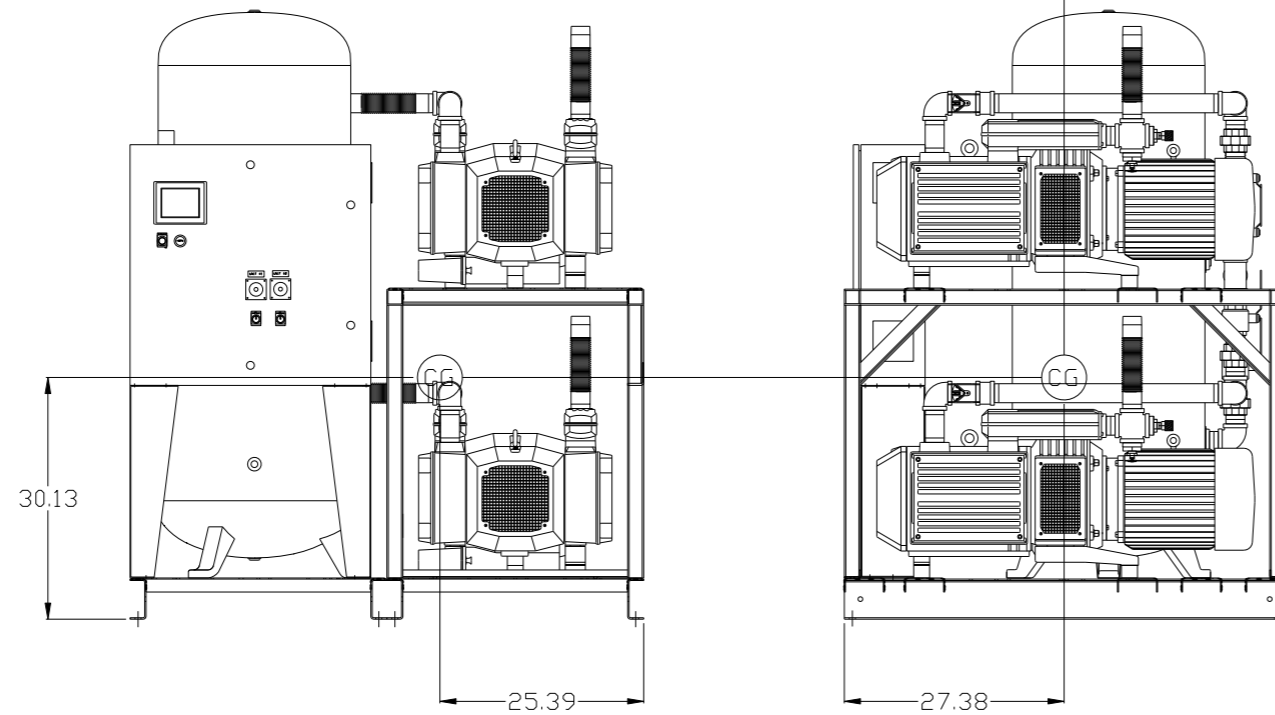
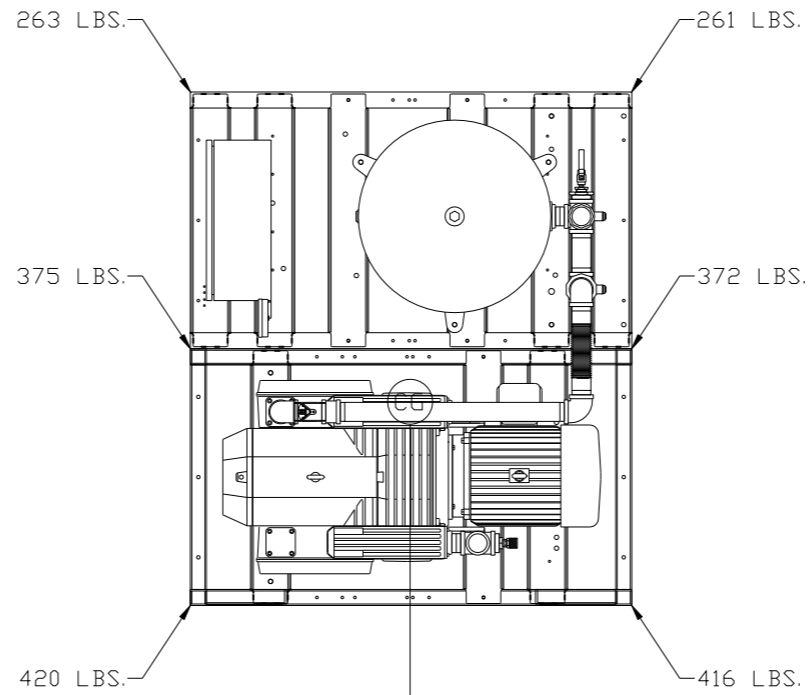
TOTAL WEIGHT: 597 LBS
 C.O.G. DIMENSIONS
 X (FRONT): -16.08"
 Y (RIGHT): 27.17"
 Z (HEIGHT): 36.62"

PUMP SKID:

TOTAL WEIGHT: 1510 LBS
 C.O.G. DIMENSIONS
 X (FRONT): -16.37"
 Y (RIGHT): 27.44"
 Z (HEIGHT): 28.24"

SYMBOL LEGEND ⊖ = MINUS DRAFT ⊕ = PLUS DRAFT ⊕ = ADDITIONAL CONTROL REQ'D HRC = BRINELL HARDNESS		Drawings to conform to the current revision of the following ANSI standards: Y14.3 Multi and sectional view dgs. Y14.5M Dimensioning and tolerancing	
TOLERANCES NOT SPECIFIED .XX ± .XXX ± \angle(DEG) ±		AUTOCAD REL2014 LT INCH DO NOT SCALE DRAWING FOR DIMENSIONS Sheet 3 of 4 SCALE 1:12	
CONFIDENTIAL DISCLOSURE This drawing is the property of POWEREX, INC. of the SCOTT FETZER COMPANY and subject to return on demand. Its contents are confidential and must not be copied or submitted to outside parties for use or examination.			
DRAWN BY AEK		CHECKED BY GES	
2/11/16		APPROVED BY ENGINEERING MFG/MKTG KMD RJR 2/11/16 2/11/16	
MATERIAL N/A		POWEREX 150 PRODUCTION DRIVE, HARRISON, OHIO 45030 Ph: 888-769-7979 FAX: (513) 367-3125	
PART NAME 10HP DILLESS VAC 120GAL DUPLEX		DWG NO VOPD1004 SIZE D	

REV	ZONE	REVISION	DATE	ECN	NAME	CHKD
H-1	ALL	ADDED P&MI SHEETS	2/11/16	PXEC0139	AEK	GES



denotes center of gravity (CG)

VACUUM SYSTEM:

TOTAL WEIGHT: 2107 LBS
C.O.G. DIMENSIONS
X (FRONT): -25.39"
Y (RIGHT): 27.38"
Z (HEIGHT): 30.13"

SYMBOL LEGEND ⊖ = MINUS DRAFT ⊕ = PLUS DRAFT ⊕ = ADDITIONAL CONTROL REQ'D HRC = BRINELL HARDNESS		Drawings to conform to the current revision of the following ANSI standards: Y14.3 Multi and sectional view dsgs. Y14.5M Dimensioning and tolerancing	
TOLERANCES NOT SPECIFIED .XX ± .XXX ± \angle(DEG.) ±		DO NOT SCALE DRAWING FOR DIMENSIONS SCALE 1:12	
AUTOCAD REL2014 LT INCH		Sheet 4 of 4	
CONFIDENTIAL DISCLOSURE This drawing is the property of POWEREX, INC. of the SCOTT FEITZER COMPANY and subject to return on demand. Its contents are confidential and must not be copied or submitted to outside parties for use or examination.			
MATERIAL N/A		DRAWN BY: AEK CHECKED BY: GES ENGINEERING: KMD MFG/MKTG: RJR 2/11/16 2/11/16 2/11/16 2/11/16	
PART NAME 10HP DILLESS VAC 120GAL DUPLEX		DWG NO: VOPD1004 SIZE: D	