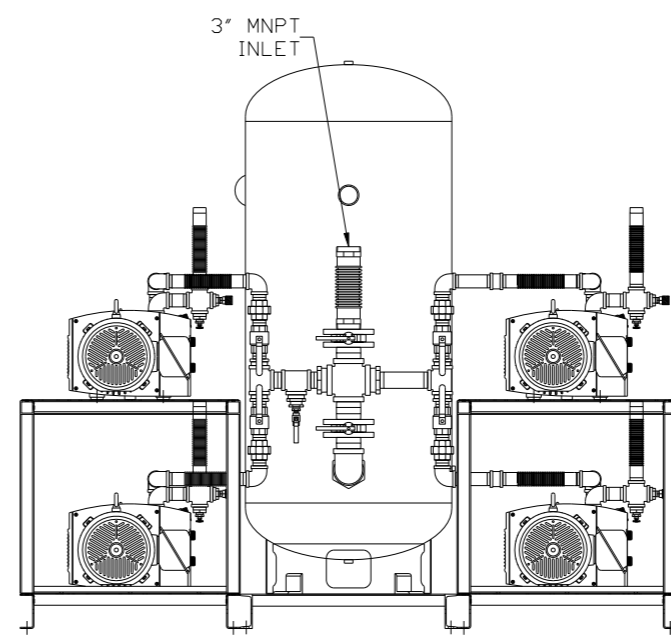
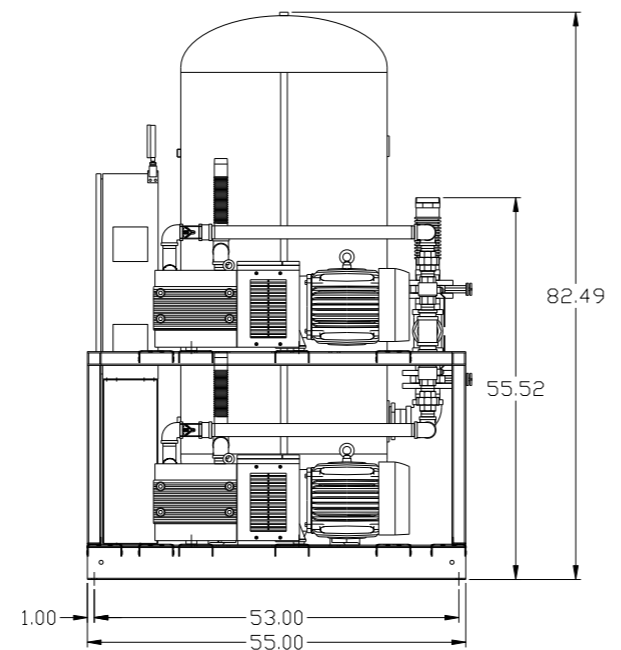
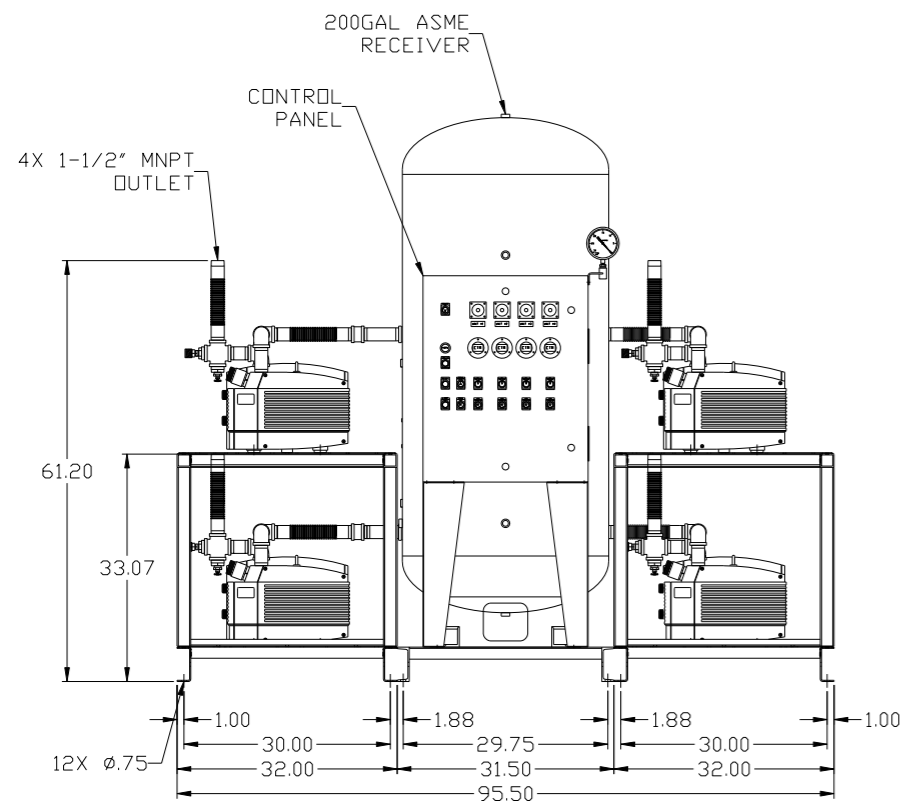
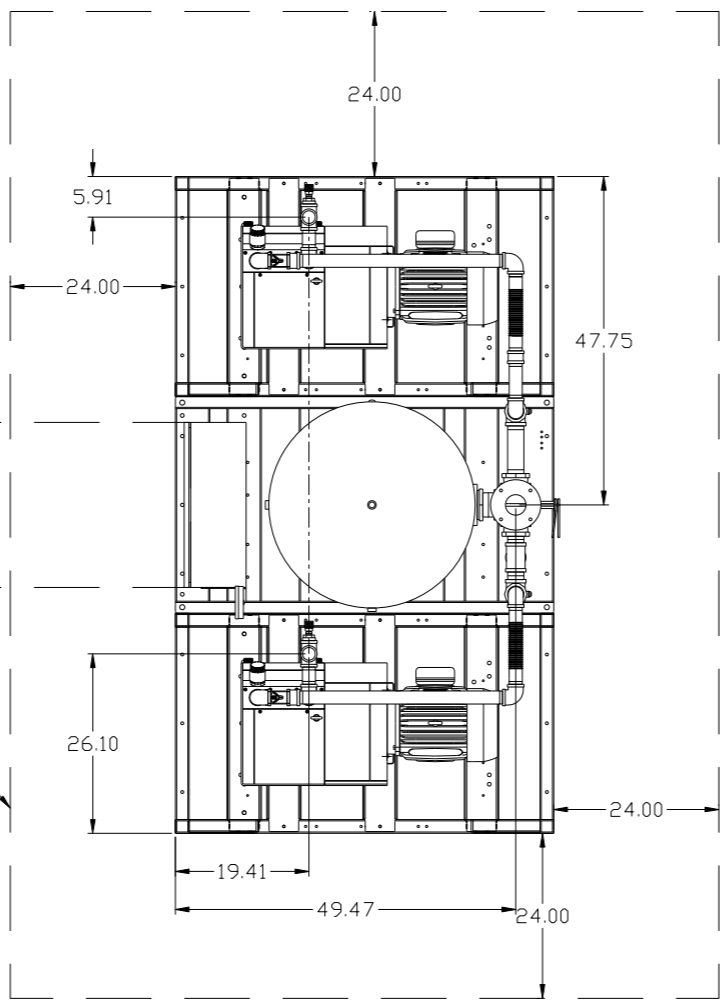


REV	ZONE	REVISION	DATE	ECN	NAME	CHKD
B-1	ALL	RELEASE TO PRODUCTION	5/15/14	PKC0066	AEK	GES

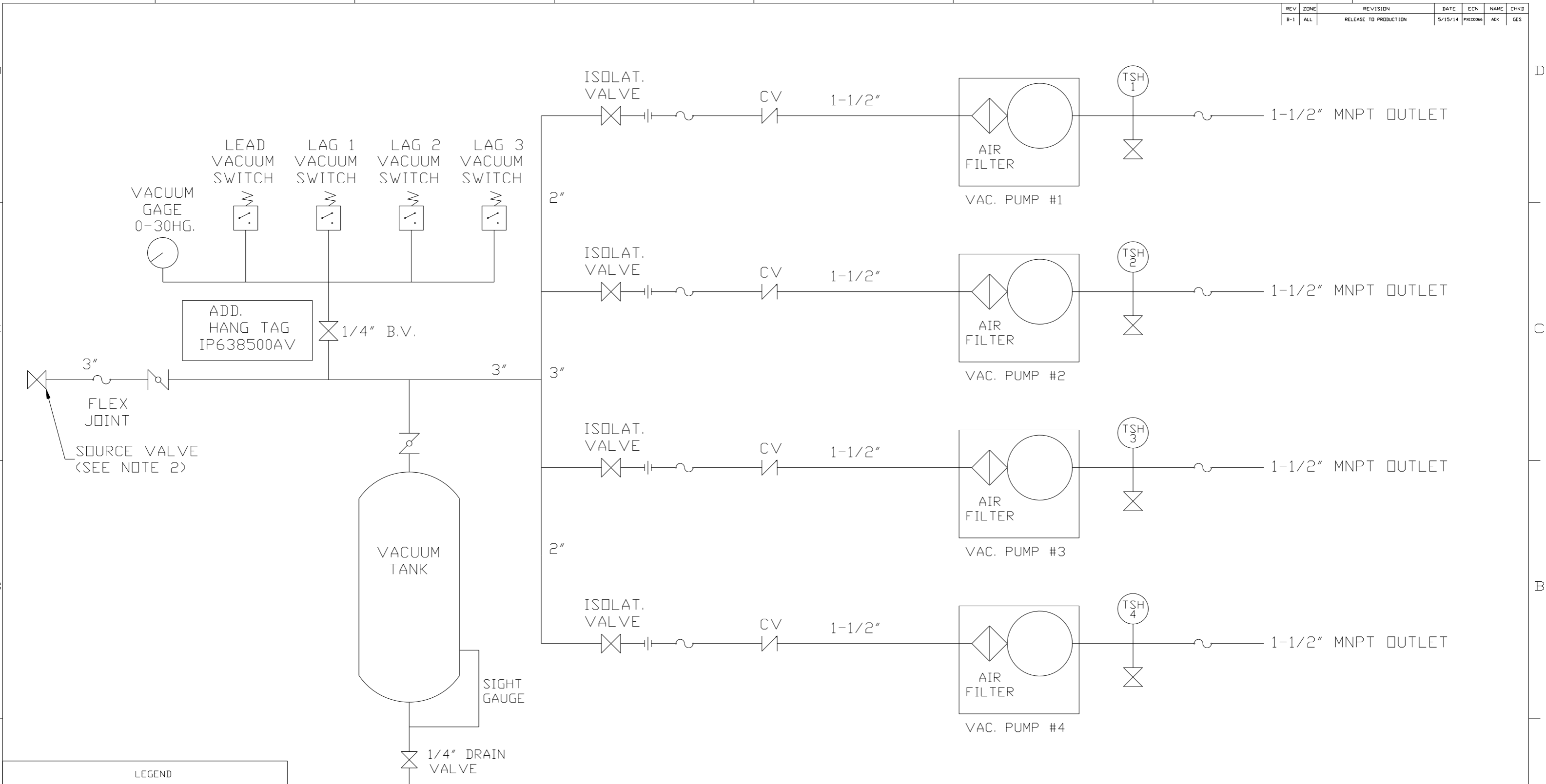
MINIMUM RECOMMENDED ELECTRICAL CLEARANCE PER OSHA/NEC

MINIMUM RECOMMENDED MAINTENANCE CLEARANCE



SYMBOL LEGEND ⊖ = MINUS DRAFT ⊕ = PLUS DRAFT Ⓢ = ADDITIONAL CONTROL REQ'D Ⓢ = BRINELL HARDNESS		Drawings to conform to the current revision of the following ANSI standards: Y14.3 Multi and sectional view dsgs. Y14.5M Dimensioning and tolerancing	
TOLERANCES NOT SPECIFIED .XX ± .XXX ± \angle (DEG) ±		DO NOT SCALE DRAWING FOR DIMENSIONS Sheet 1 of 2 SCALE 1:14	
CONFIDENTIAL DISCLOSURE This drawing is the property of POWEREX, INC. of the SCOTT FEITZER COMPANY and subject to return on demand. Its contents are confidential and must not be copied or submitted to outside parties for use or examination.		AUTOCAD REL2014 LT INCH	
MATERIAL N/A		DRAWN BY AEK CHECKED BY GES ENGINEERING DMS MFG/MKTG JJ 5/15/14 5/15/14 5/15/14 5/15/14	
PART NAME 7.5HP DL VAC QUADPLEX 200GAL MED PKG		DWG NO VQPQ0755 SIZE D	

REV	ZONE	REVISION	DATE	ECN	NAME	CHKD
B-1	ALL	RELEASE TO PRODUCTION	5/15/14	PKC0066	AEK	GES



LEGEND	
TSH 2	TEMP. SWITCH
	VACUUM SWITCH
	BALL VALVE
	CHECK VALVE
	UNION
	FLEX LINE
	BUTTERFLY VALVE

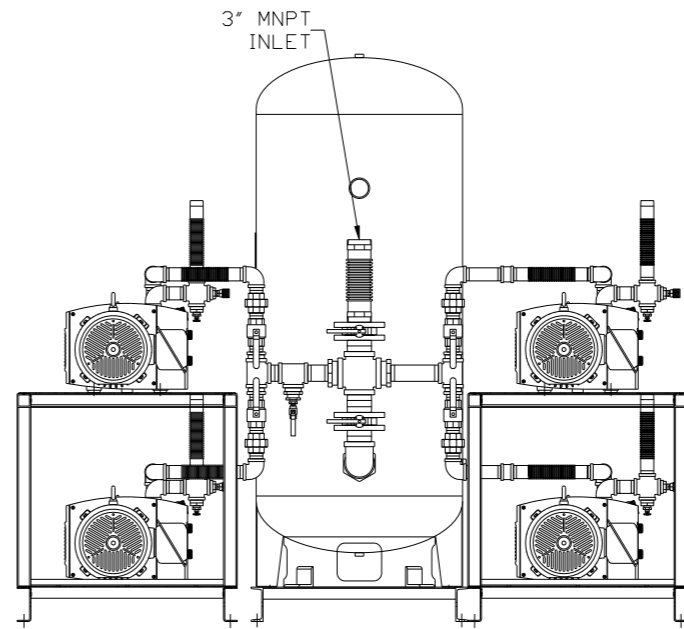
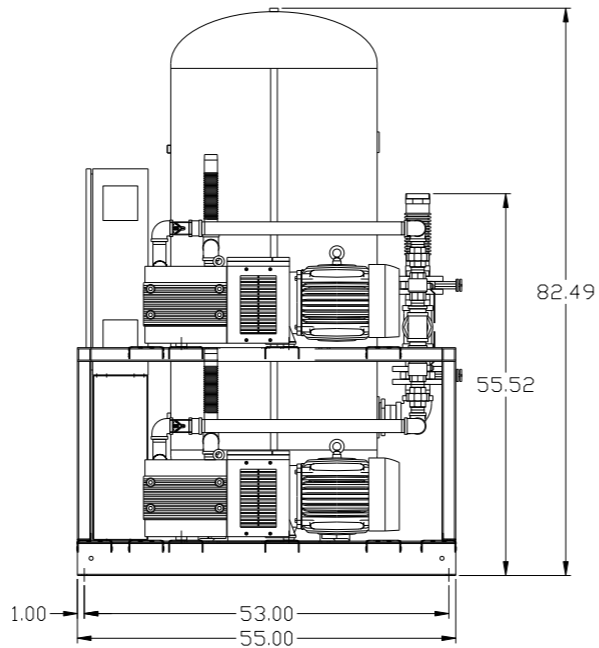
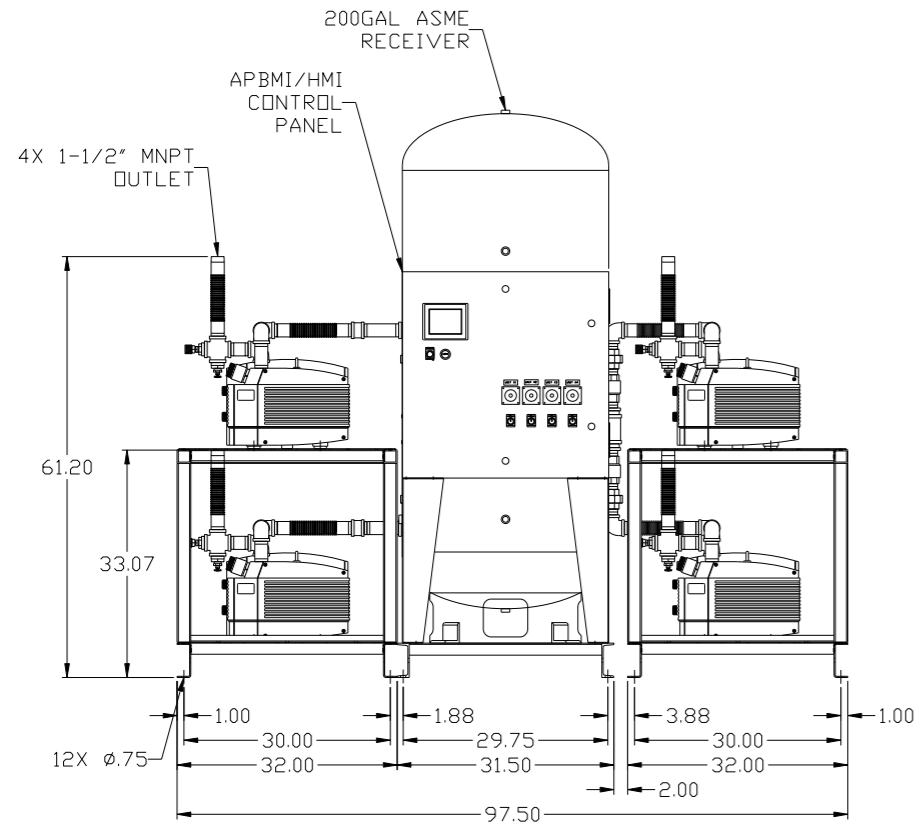
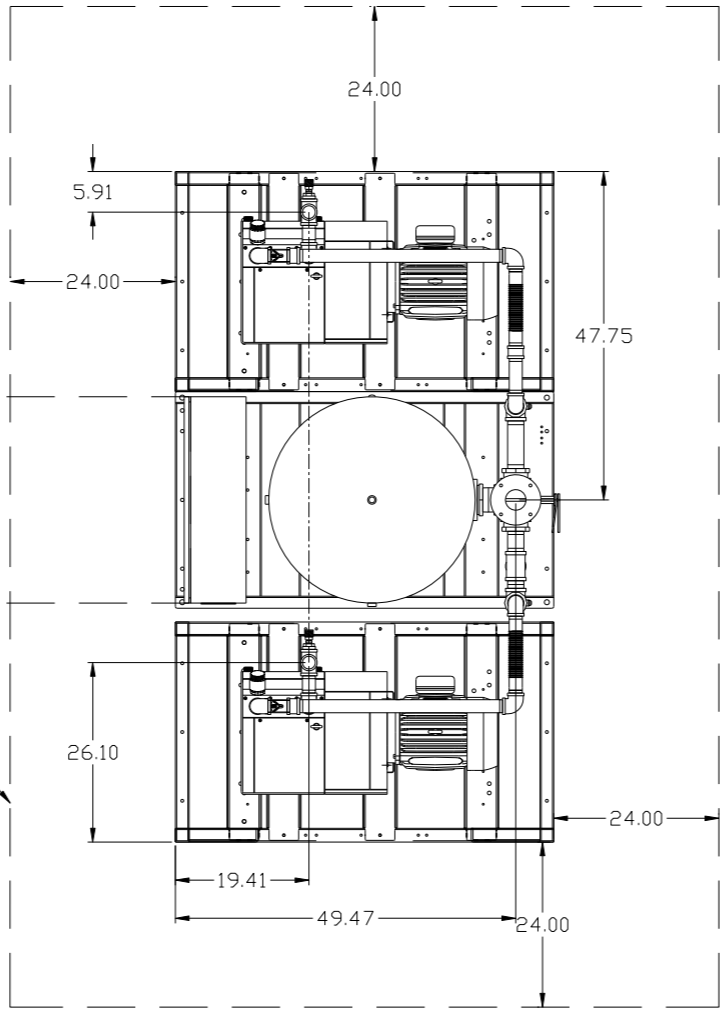
NOTE:
 1) TSH - TEMPERATURE SWITCH HIGH
 2) PER NFPA THE SYSTEM WILL REQUIRE A SOURCE VALVE (SUPPLIED BY OTHERS).

SYMBOL LEGEND = MINUS DRAFT = PLUS DRAFT = ADDITIONAL CONTROL REQ'D = BRINELL HARDNESS		Drawings to conform to the current revision of the following ANSI standards: Y14.3 Multi and sectional view dings Y14.5M Dimensioning and tolerancing
TOLERANCES NOT SPECIFIED .XX ± .XXX ± \angle (DEG.) ±	AUTOCAD REL2014 LT INCH	DO NOT SCALE DRAWING FOR DIMENSIONS Sheet 2 of 2 SCALE 1:14
CONFIDENTIAL DISCLOSURE This drawing is the property of POWEREX, INC. of the SCOTT FETZER COMPANY and subject to return on demand. Its contents are confidential and must not be copied or submitted to outside parties for use or examination.		
DRAWN BY AEK	CHECKED BY GES	APPROVED BY ENGINEERING MFG/MKTG DMS JJ
MATERIAL N/A	DATE 5/15/14	DATE 5/15/14
PART NAME OL VAC QUADPLEX FLOW SCHEMATIC	DWG NO VOPQ0755	SIZE D

REV	ZONE	REVISION	DATE	ECN	NAME	CHKD
B-1	ALL	RELEASE TO PRODUCTION	5/15/14	PKC0066	AEK	GES

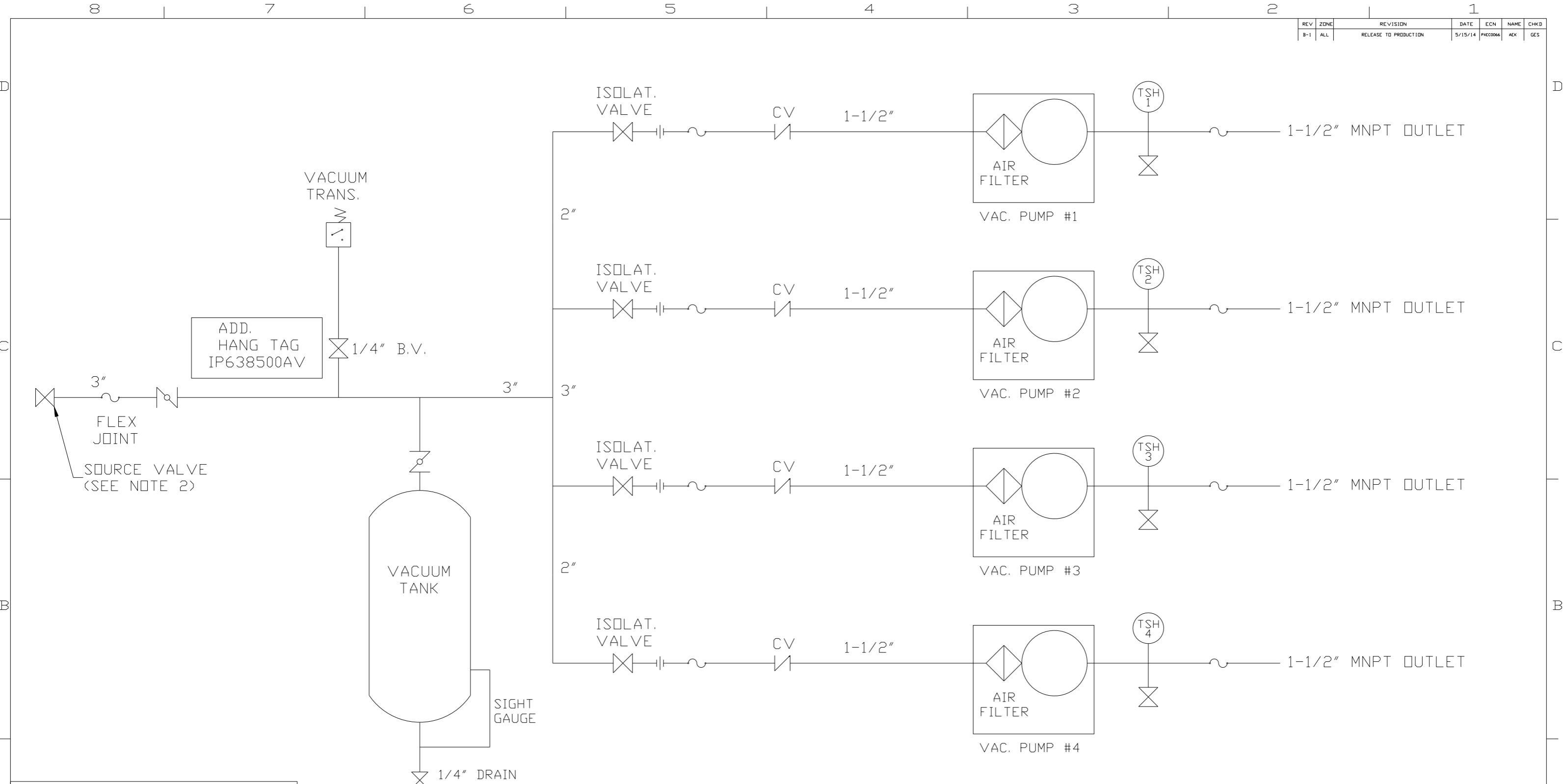
MINIMUM RECOMMENDED ELECTRICAL CLEARANCE PER OSHA/NEC

MINIMUM RECOMMENDED MAINTENANCE CLEARANCE



SYMBOL LEGEND ⊖ = MINUS DRAFT ⊕ = PLUS DRAFT Ⓢ = ADDITIONAL CONTROL REQ'D Ⓢ = BRINELL HARDNESS		Drawings to conform to the current revision of the following ANSI standards: Y14.3 Multi and sectional view dgs. Y14.5M Dimensioning and tolerancing	
TOLERANCES NOT SPECIFIED .XX ± .XXX ± <DEG> ±		AUTOCAD REL2014 LT INCH DO NOT SCALE DRAWING FOR DIMENSIONS Sheet 1 of 2 SCALE 1:14	
CONFIDENTIAL DISCLOSURE This drawing is the property of POWEREX, INC. of the SCOTT FEITZER COMPANY and subject to return on demand. Its contents are confidential and must not be copied or submitted to outside parties for use or examination.		DRAWN BY: AEK CHECKED BY: GES ENGINEERING: DMS MFG/MKTG: JJ 5/15/14 5/15/14 5/15/14 5/15/14	
MATERIAL: N/A		PART NAME: 7.5HP DL VAC QUADPLEX 200GAL MED PKG DWG NO: VOPQ0755 SIZE: D	

REV	ZONE	REVISION	DATE	ECN	NAME	CHKD
B-1	ALL	RELEASE TO PRODUCTION	5/15/14	PKC0066	AEK	GES



LEGEND	
TSH 2	TEMP. SWITCH
	BALL VALVE
	UNION
	VACUUM SWITCH
	CHECK VALVE
	FLEX LINE
	BUTTERFLY VALVE

NOTE:
 1) TSH - TEMPERATURE SWITCH HIGH
 2) PER NFPA THE SYSTEM WILL REQUIRE A SOURCE VALVE (SUPPLIED BY OTHERS).

SYMBOL LEGEND ⊖ = MINUS DRAFT ⊕ = PLUS DRAFT TOLERANCES NOT SPECIFIED .XX ± .XXX ± \angle (DEG.) ±		= ADDITIONAL CONTROL REQ'D = BRINELL HARDNESS	Drawings to conform to the current revision of the following ANSI standards Y14.3 Multi and sectional view dgs. Y14.5M Dimensioning and tolerancing
AUTOCAD REL2014 LT INCH		DO NOT SCALE DRAWING FOR DIMENSIONS Sheet 2 of 2 SCALE 1:14	
CONFIDENTIAL DISCLOSURE This drawing is the property of POWEREX, INC. of the SCOTT FETZER COMPANY and subject to return on demand. Its contents are confidential and must not be copied or submitted to outside parties for use or examination.			
DRAWN BY AEK	CHECKED BY GES	APPROVED BY DMS	MFG/MKTG JJ
MATERIAL N/A	DATE 5/15/14	DATE 5/15/14	DATE 5/15/14
PART NAME OL VAC QUADPLEX FLOW SCHEMATIC		 150 PRODUCTION DRIVE, HARRISON, OHIO 45030 Ph: 888-769-7979 FAX: (513) 367-3125	
DWG NO VOPQ0755		SIZE D	